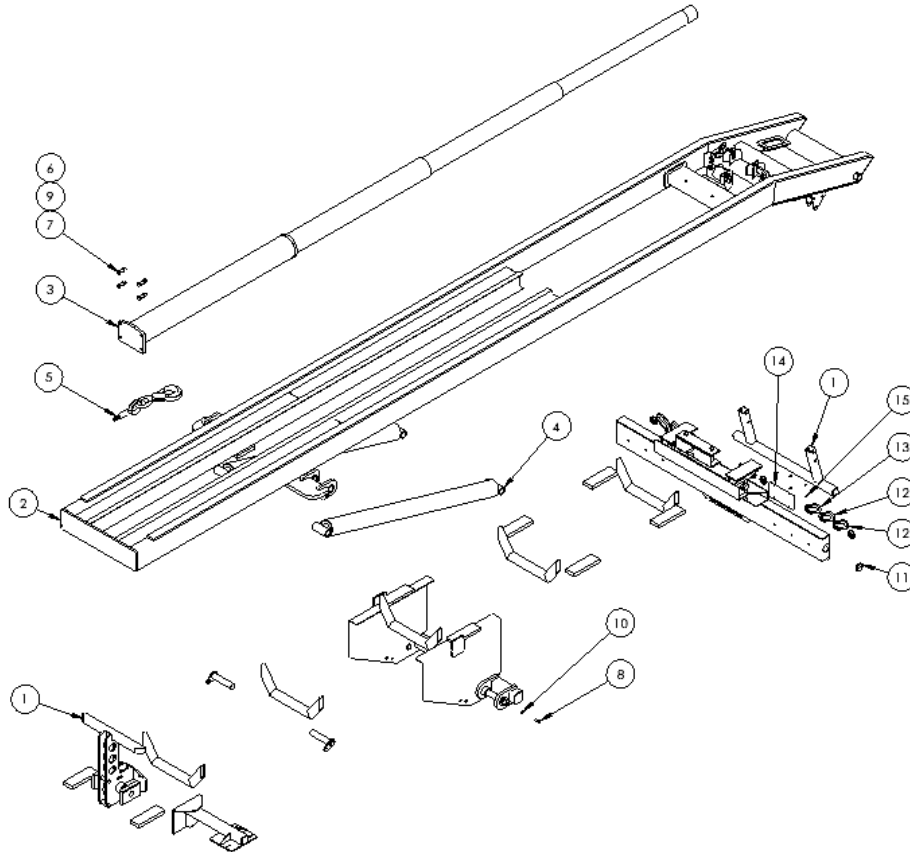


## cEight ROLL-OFF SYSTEM PARTS MANUAL



**cEight ASSEMBLY NO.: - 0807998/0807982**

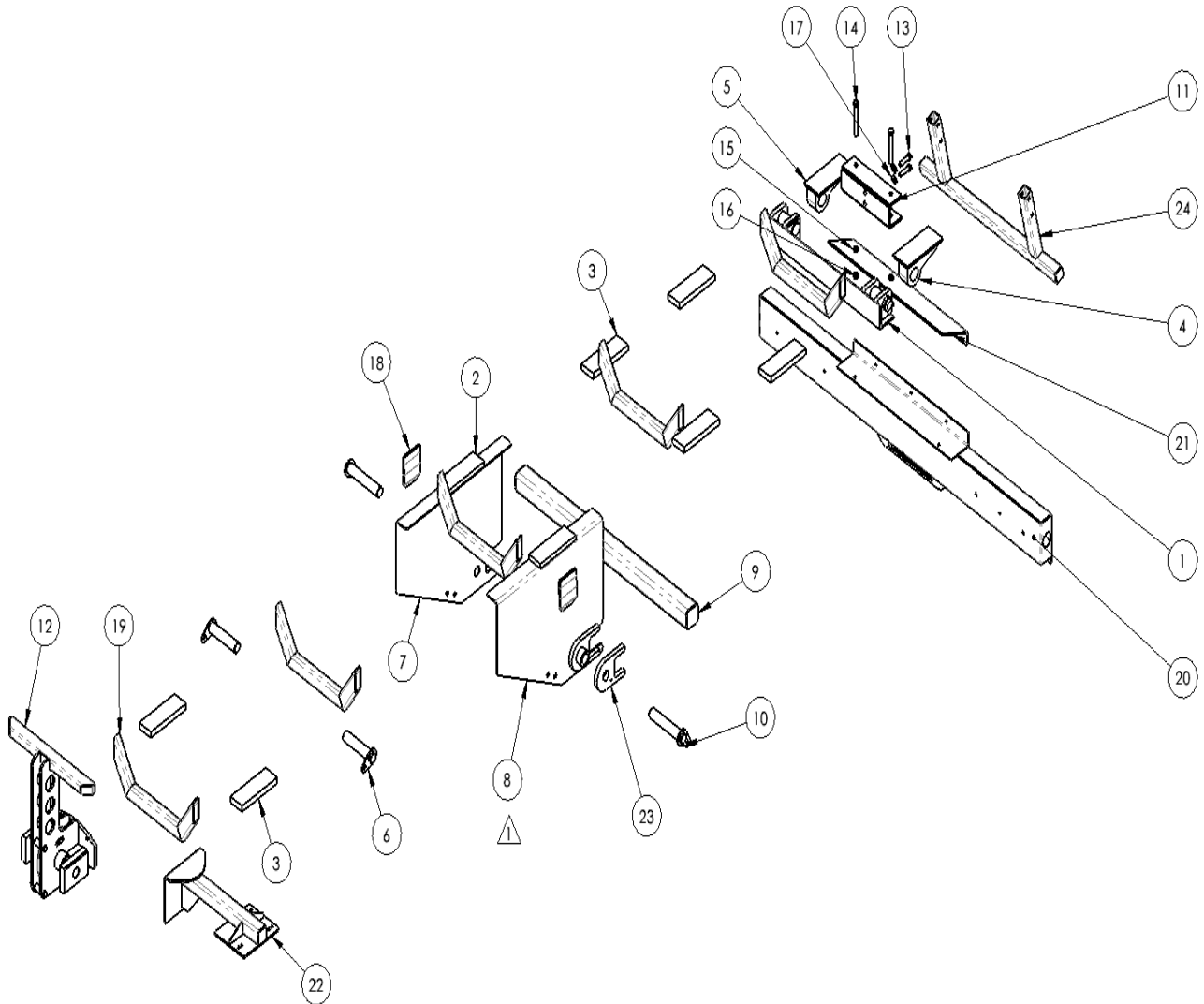
- REFER PAGE 3 #0807983 FOR CRATE PARTS (ITEM#1). PARTS WITHOUT BALLOONS IN BELOW VIEW CAN BE FOUND IN CRATE PARTS LIST.
- REFER PAGE 5 #0807973 FOR SUB-ASSEMBLY PARTS (ITEM#2).



ITEM NO.	PART NUMBER	DESCRIPTION	QTY.
1	0807983	SYSTEM PARTS IN CRATE	1
2	0807973	MAIN SYSTEM ASSEMBLY - cEight RENTAL SYSTEM	1
3	0316011	REEVING CYLINDER-180" STROKE	1
4	DA5-359	MAIN LIFT CYLINDER	2
5	895-087122372	5/8" SWIVEL SELF LOCKING HOOKS WITH n7/8"X31FT LG WIRE ROPE	1
6	FASTENER	HNUT 0.7500-16-D-N GR8	4
7	FASTENER	HBOLT 0.7500-10x3x1.75-C GR8	4
8	FASTENER	HBOLT 0.5000-13x1.5x1.25-N GR8	4
9	FASTENER	Regular LW 0.75 GR8	4
10	FASTENER	Preferred Narrow FW 0.5YZ GR8	4
11	GR2000	2" LIGHT/WITH GROMMET	7
12	GR2238	LIGHT/WITH GROMMET	4
13	GR2238-C	LIGHT/WITH GROMMET	2
14	LIC	LICENSE PLATE	1
15	IN-HWMS 0.25-20x0.5x0.5-N	IN-HWMS 0.25-20x0.5x0.5-N	4

**CRATE PARTS LIST: - 0807983**

- REFER THE NEXT PAGE FOR THE BOM.

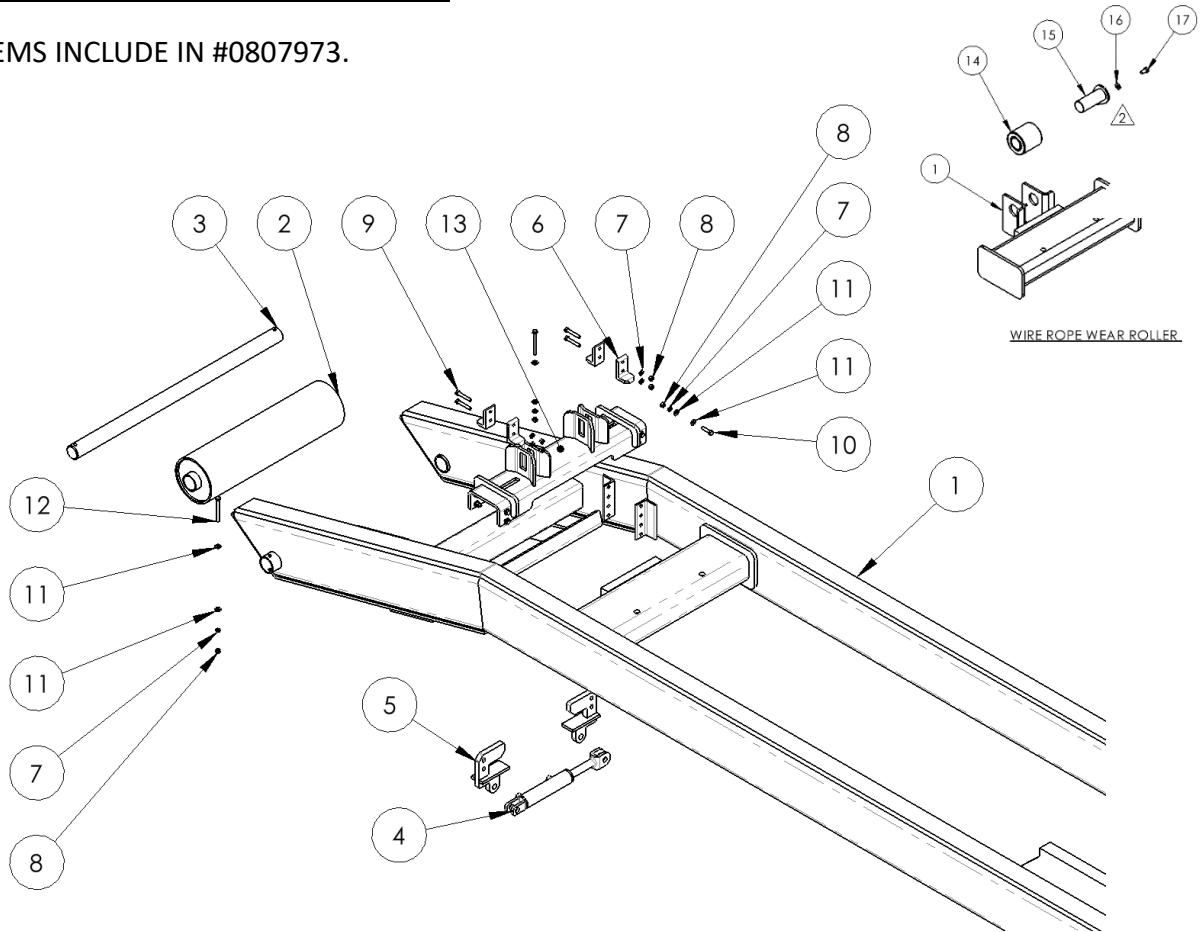


**BOM OF #0807983**

ITEM NO.	PART NUMBER	DESCRIPTION	QTY.
1	GM163630-013-00	HINGE SUPPORT ASSEMBLY	1
2	0725266	SPACER PAD CENTER	2
3	0725267	SPACER PAD FRONT	6
4	GM163630-023-00-DS	HINGE BLOCK ASSEMBLY	1
5	GM163630-023-00-PS	HINGE BLOCK ASSEMBLY	1
6	0807986	2"X9.5"L PIN ASS'Y - UPPER CYLINDER MOUNT	2
7	0807989	LOWER CYLINDER MOUNT SIDE PLATE ASS'Y - PS	1
8	0807990	LOWER CYLINDER MOUNT SIDE PLATE ASS'Y - DS	1
9	0807988	LOWER CYLINDER MOUNT CROSS MEMBER	1
10	0807987	2"X11"L PIN - LOWER CYLINDER MOUNT	2
11	GM163630-041-00	REEVING CYLINDER SHOE ASSEMBLY	1
12	GM163630-021-00	SHEAVE HEAD ASSEMBLY	1
13	FASTENER	HBOLT 0.7500-10x3x1.75-C	2
14	FASTENER	HBOLT 0.7500-10x6.5x2-C	2
15	FASTENER	Regular LW 0.75	2
16	FASTENER	HNUT 0.7500-16-D-N	2
17	FASTENER	Preferred Narrow FW 0.75	2
18	0725265	DECK ALIGNING PLATE BMI	2
19	0807981	CROSS MEMBER ASSEMBLY RL	5
20	0807999	REAR LIGHT BUMPER - C8 SYSTEM	1
21	0725322	REAR END REINFORCEMENT PLATE	1
22	0808001	CONTROL VALVE SDV70 MOUNT WELD'T/ASS'Y	1
23	0725304	LOWER CYLINDER MOUNT EAR PLATE - OUTER	2
24	0808004	REAR FOLDING BUMPER ASS'Y	1

**REAR LOCKING MECHANISM PARTS: -**

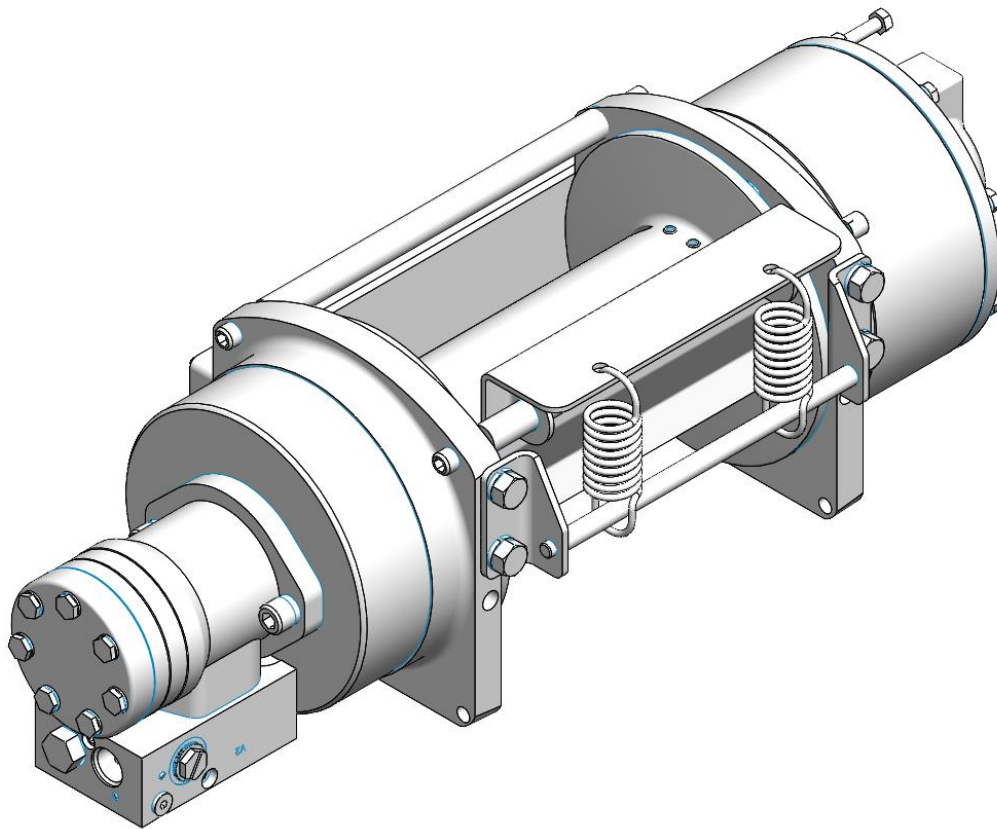
- ITEMS INCLUDE IN #0807973.



ITEM NO.	PART NUMBER	DESCRIPTION	QTY.
1	0807974	SYSTEM WELDMENT ASSEMBLY	1
2	GM163630-081-00	REAR ROLLER CENTER ASSY	1
3	GM163630-61-00	REAR ROLLER PIN RL	1
4	0316012	DBL ACTING CYLINDER-4" STROKE	1
5	0807975	LOCKING HOOK ASSY	2
6	0725271	HOOK ATTACHMENT ANGLE	4
7	FASTENER	Regular LW 0.375	14
8	FASTENER	HNUT 0.3750-16-D-N	14
9	FASTENER	HBOLT 0.3750-16x2.25x1-N	4
10	FASTENER	HBOLT 0.3750-24x1.5x1-N	8
11	FASTENER	HBOLT 0.3750-16x3.5x3.5-N	2
12	FASTENER	Preferred Narrow FW 0.375Z	20
13	0807997	REAR LOCKING MECHANISM MOUNT BRACKET WEL'T/ASS'Y	1
14	GM163630-091-00	SIDE BIN ROLLER BUSHING ASS'Y	1
15	0808003	2" O.D. ROLLER PIN WITH TEAR DROP PLATE	1
16	FASTENER	Preferred Narrow FW 0.5Z	1
17	FASTENER	HBOLT 0.5000-13x1x1-N	1

**1. RECOVERY WINCH: -**

- a. Hydraulic Winch Spec: -
  - i. Part#12RPWBAQ4L1H - 12K Lbs. Planetary Winch
  - ii. Preferred system frame mounted
- b. Electric Winch Spec: -
  - i. Part #104520 – 15K Lbs. Series G2 Warn Winch
  - ii. Preferred deck mounted on headboard



**Note: This manual is subject to change without any notification.**

**PROPRIETARY AND CONFIDENTIAL:**

**THE INFORMATION CONTAINED IN THIS DOCUMENT/DRAWING IS THE SOLE PROPERTY OF DRIVE PRODUCTS INC. ANY REPRODUCTION IN PART OR AS A WHOLE WITHOUT THE WRITTEN PERMISSION OF DRIVE PRODUCTS INC IS STRICTLY PROHIBITED.**

**Call our customer service on 1-800-668-6012 for any inquiries.**

Drive Products  
1665 Shawson Dr  
Mississauga, Ontario  
Canada. L4W 1T7  
<http://www.driveproducts.com/>