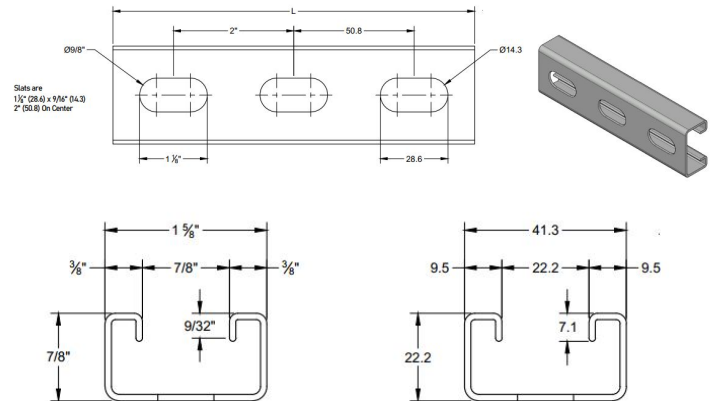
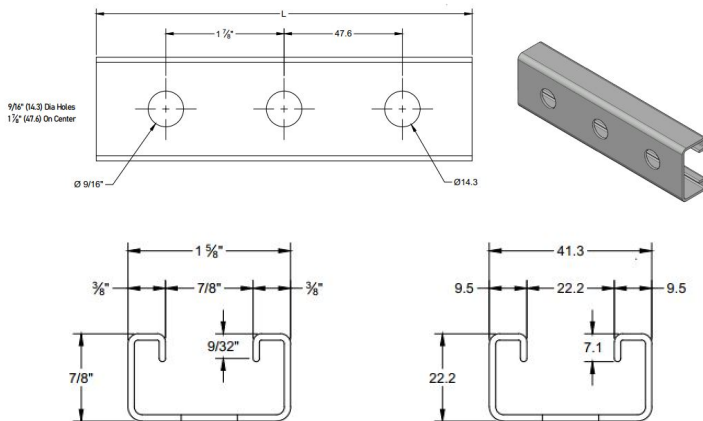
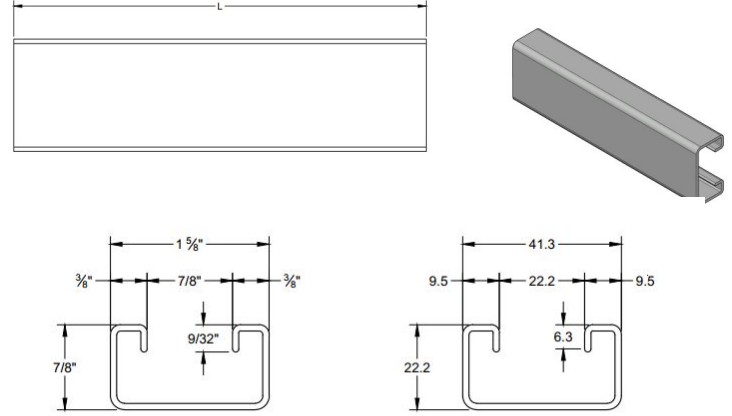
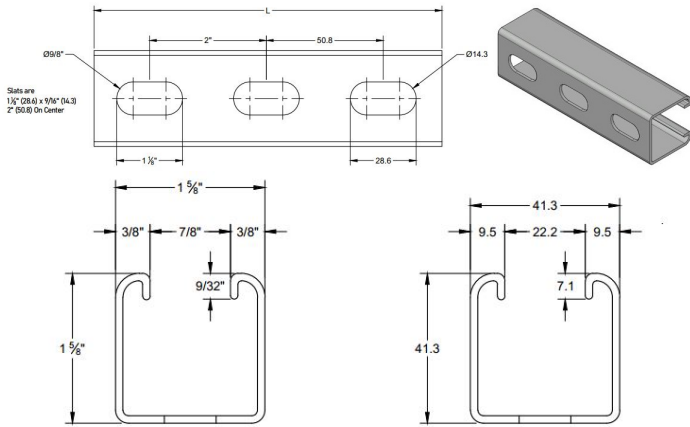
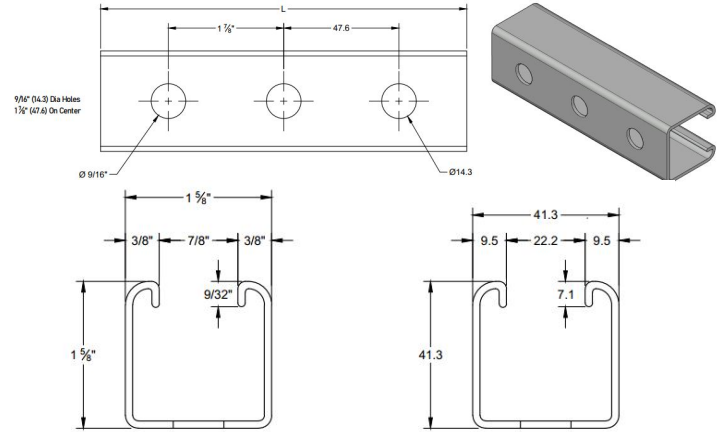
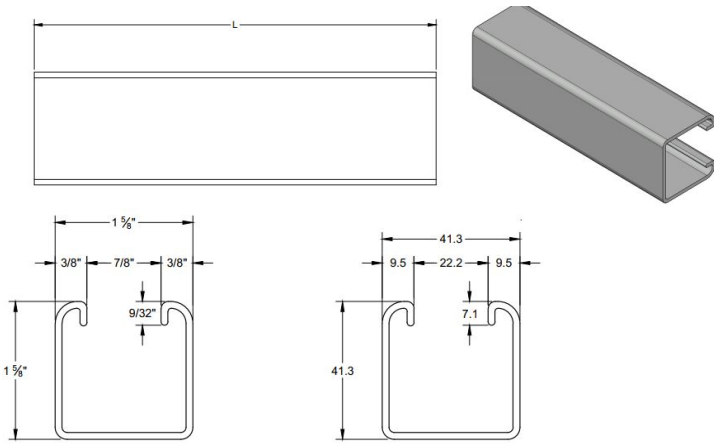
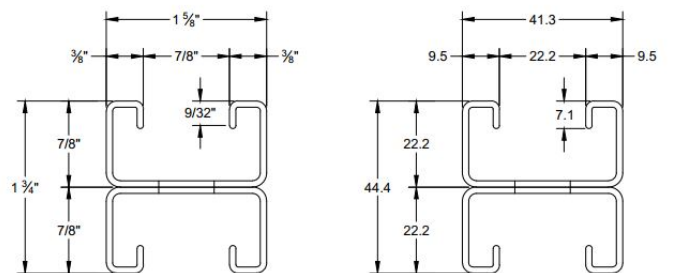
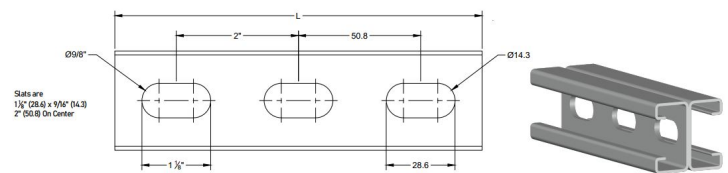
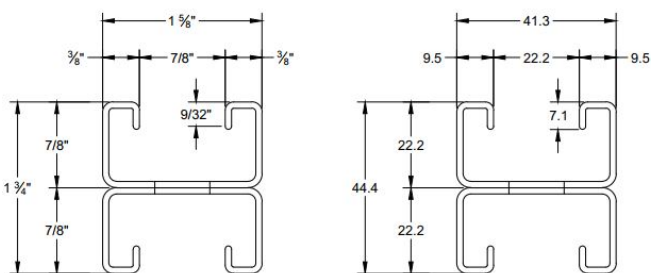
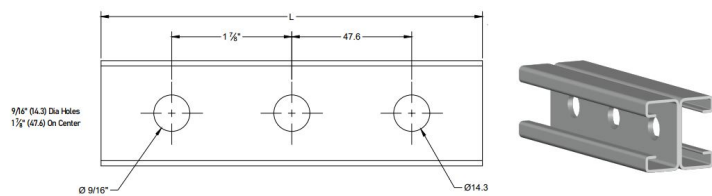
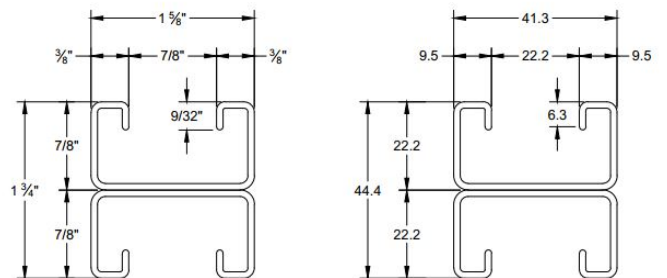
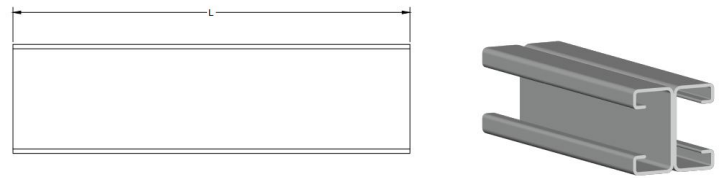
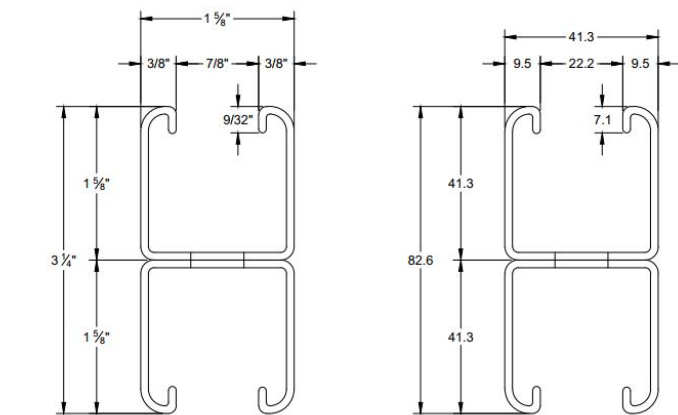
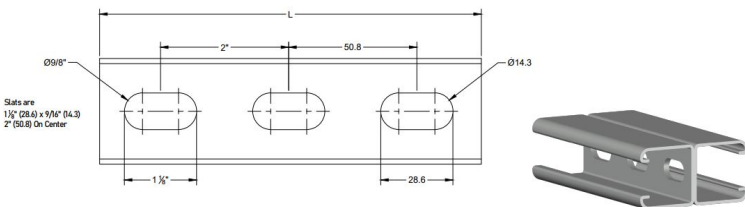
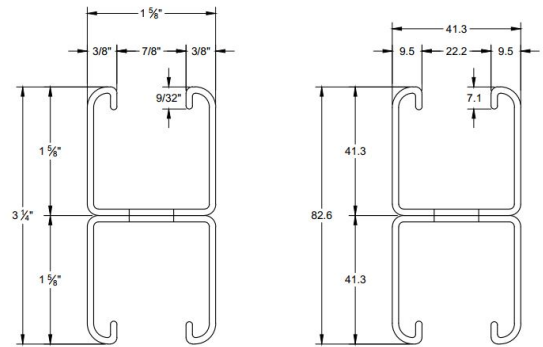
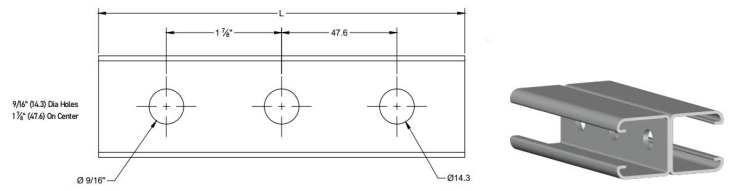
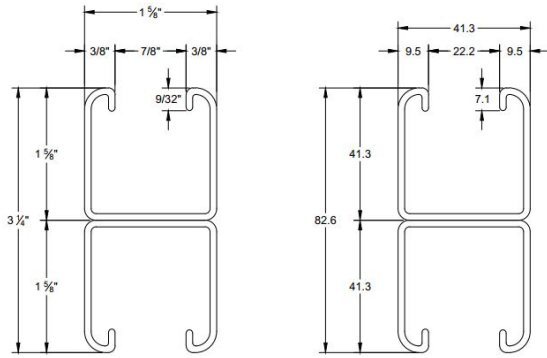
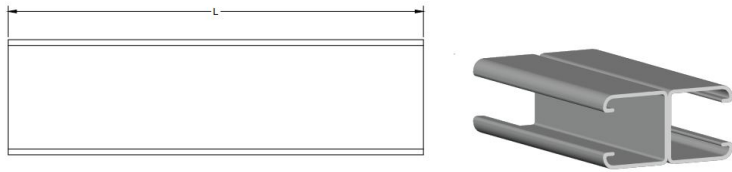
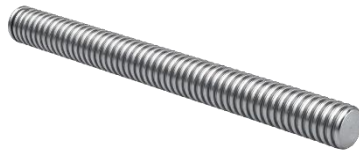


# **LVM** STRUT

Suppliers of Threaded Rods, Strut Fittngs and Fastener Products along with Manufacturers of Strut Channel, Strut Fittngs, and Structural Support Systems.

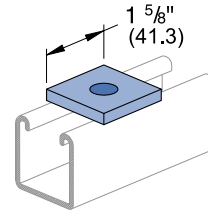






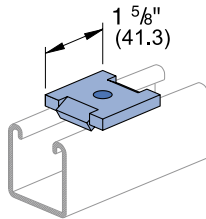
Part #	THREAD SIZE	ROD LENGTH	PCS./ TUBE	TUBES/ BUNDLES	LBS./ PIECE
LVM-TR-1420-06	1/4 - 20	6'	50	40	.7
LVM-TR-1420-10		10'		25	1.2
LVM-TR-1420-12		12'		25	1.4
LVM-TR-1618-06	5/16 - 18	6'	35	40	1.1
LVM-TR-1618-10		10'		25	1.9
LVM-TR-1618-12		12'		25	2.3
LVM-TR-3816-06	3/8 - 16	6'	25	40	1.7
LVM-TR-3816-10		10'		25	2.9
LVM-TR-3816-12		12'		25	3.5
LVM-TR-1213-06	1/2 - 13	6'	12	40	3.2
LVM-TR-1213-10		10'		25	5.3
LVM-TR-1213-12		12'		25	6.4
LVM-TR-5811-06	5/8 - 11	6'	8	40	5.0
LVM-TR-5811-10		10'		25	8.3
LVM-TR-5811-12		12'		25	10.0
LVM-TR-340-06	3/4 - 10	6'	5	40	7.3
LVM-TR-340-10		10'		25	12.2
LVM-TR-340-12		12'		25	14.6
LVM-TR-789-06	7/8 - 9	6'	4	40	9.9
LVM-TR-789-10		10'		25	16.5
LVM-TR-789-12		12'		25	19.8
LVM-TR-18-06	1 - 8	6'	2	50	13.3
LVM-TR-18-10		10'		50	22.2
LVM-TR-18-12		12'		50	26.6
LVM-TR-1187-06	1-1/8 - 7	6'	1	10	16.9
LVM-TR-1187-10		10'		10	28.1
LVM-TR-1187-12		12'		10	33.7
LVM-TR-1147-06	1-1/4 - 7	6'	1	10	21.0
LVM-TR-1147-10		10'		10	35.0
LVM-TR-1147-12		12'		10	42.0

**LVM1062, LVM1063,  
LVM1064, LVM1964,  
LVM2471, LVM2490**



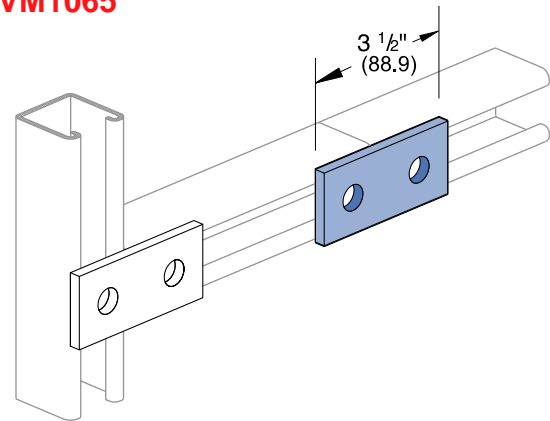
Part Number	Bolt Size	Hole Size
LVM1062	5/16"	11/32"
LVM1063	3/8"	7/16"
LVM1064	1/2"	9/16"
LVM1964	5/8"	11/16"
LVM2471	3/4"	13/16"
LVM2490	7/8"	15/16"

**LVM2862  
LVM2863  
LVM2864**

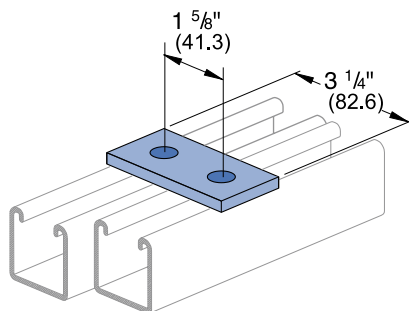


Part Number	Bolt Size	Hole Size
LVM2862	5/16"	11/32"
LVM2863	3/8"	7/16"
LVM2864	1/2"	9/16"

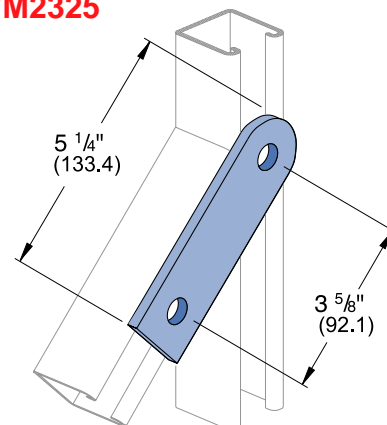
**LVM1065**



**LVM1924**

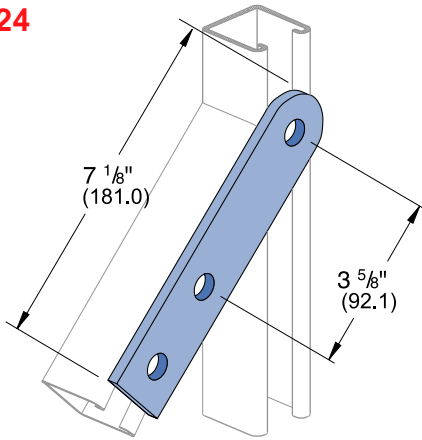


**LVM2325**

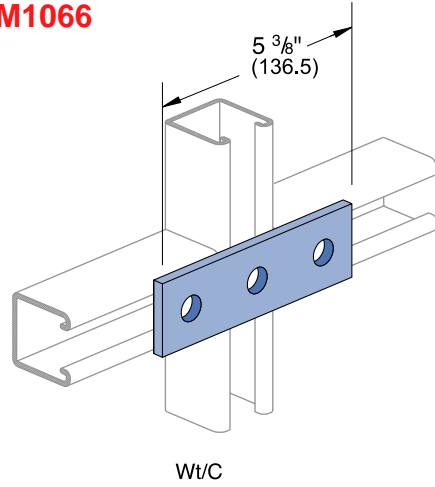


Hole Size	Hole Spacing	Width
5/16" Diameter 14.3 mm	13/16" (20.6 mm) From End 17/8" (47.6 mm) On Center	1 5/8" 41.3 mm

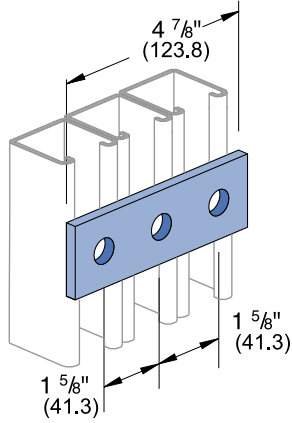
**LVM2324**



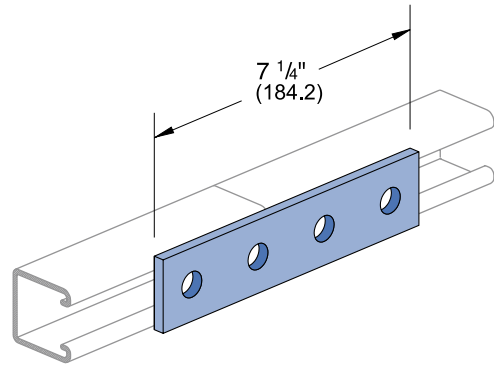
**LVM1066**



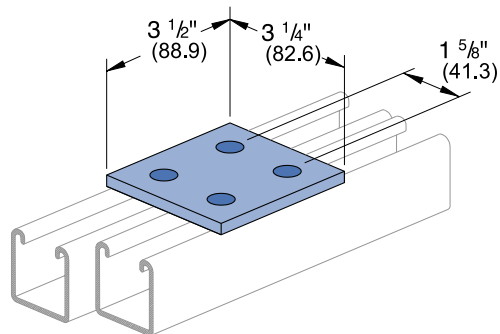
**LVM1925**



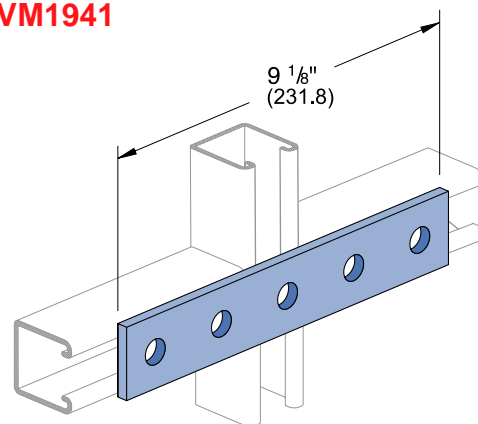
**LVM1067**



**LVM2079**

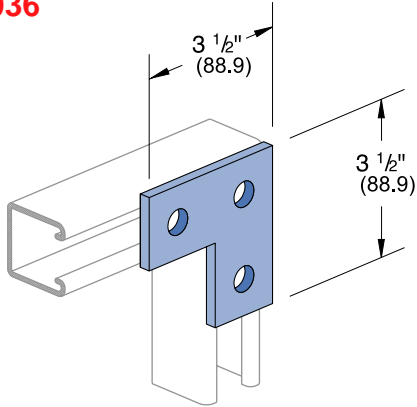


**LVM1941**

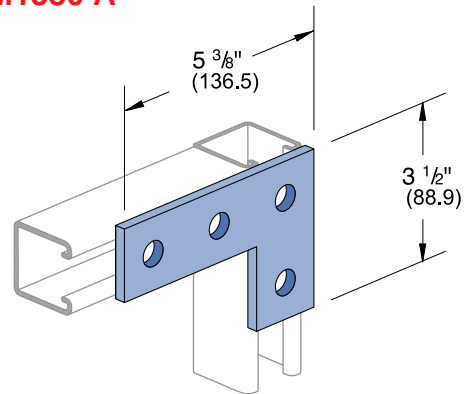


Hole Size	Hole Spacing	Width
9/16" Diameter 14.3 mm	13/16" (20.6 mm) From End 1 1/8" (47.6 mm) On Center	1 5/8" 41.3 mm

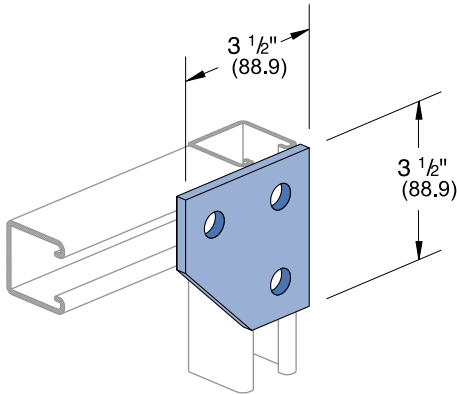
**LVM1036**



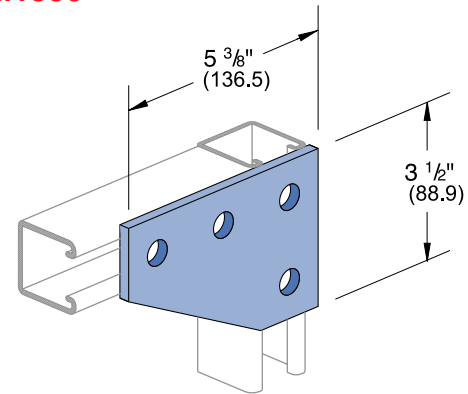
**LVM1380 A**



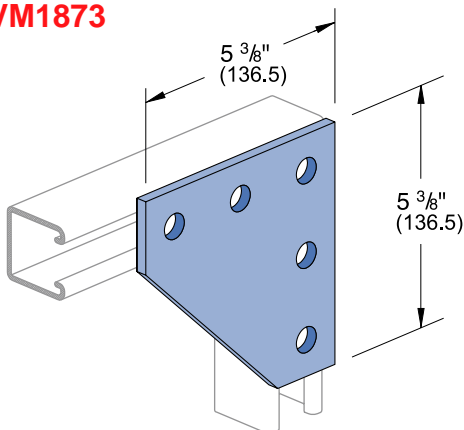
**LVM1334**



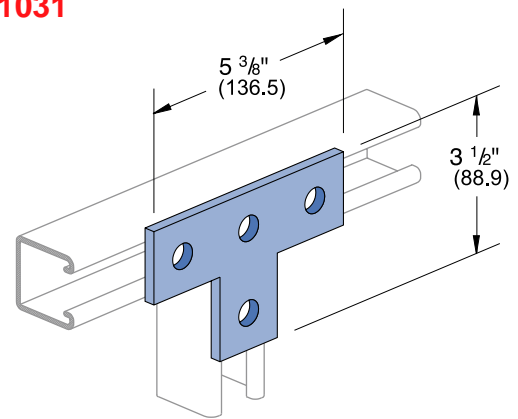
**LVM1380**



**LVM1873**

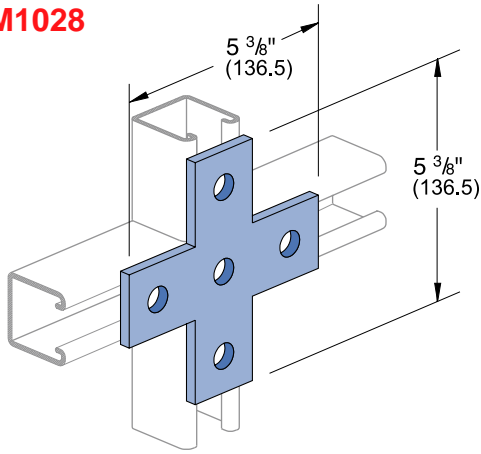


**LVM1031**

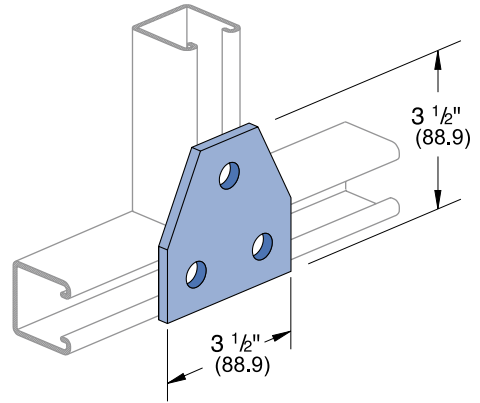


Hole Size	Hole Spacing	Width
5/16" Diameter 14.3 mm	1 3/16" (20.6 mm) From End 1 7/8" (47.6 mm) On Center	1 5/8" 41.3 mm

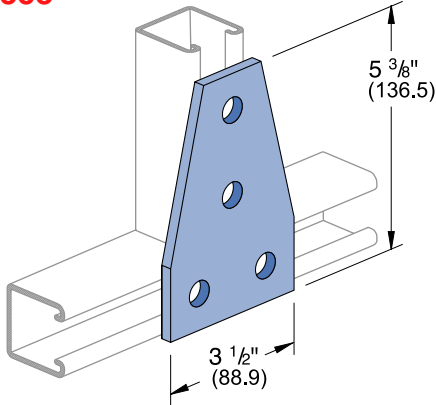
**LVM1028**



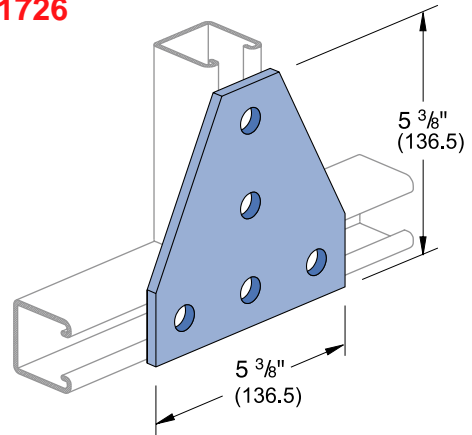
**LVM1356**



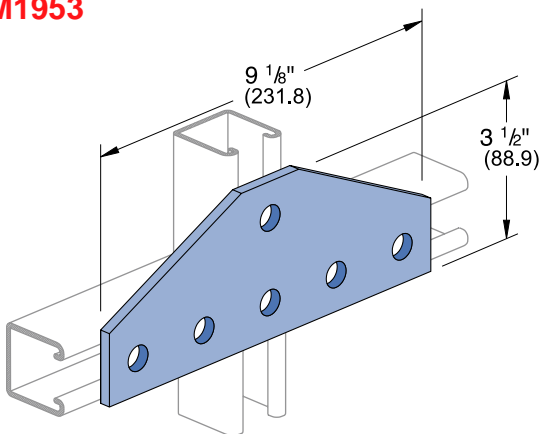
**LVM1358**



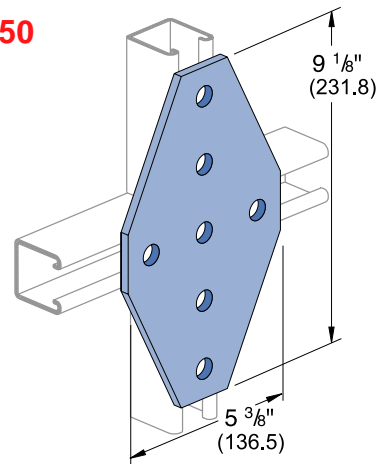
**LVM1726**



**LVM1953**

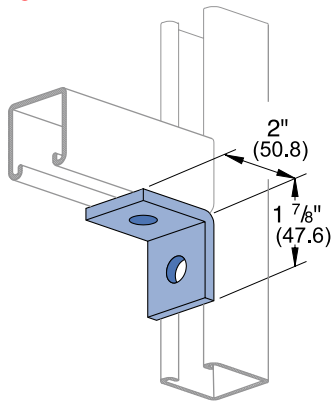


**LVM1950**

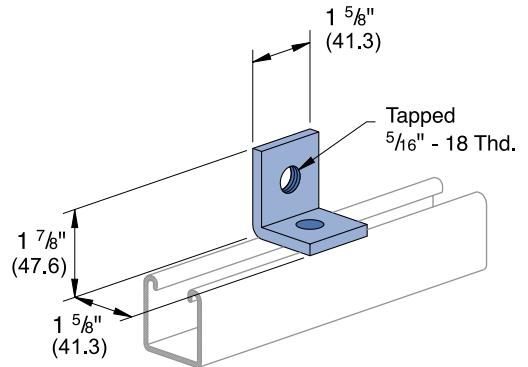


Hole Size	Hole Spacing	Width
5/16" Diameter 14.3 mm	13/16" (20.6 mm) From End 1 1/8" (47.6 mm) On Center	1 5/8" 41.3 mm

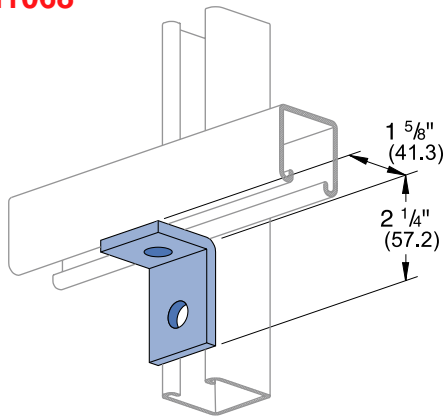
**LVM1026**



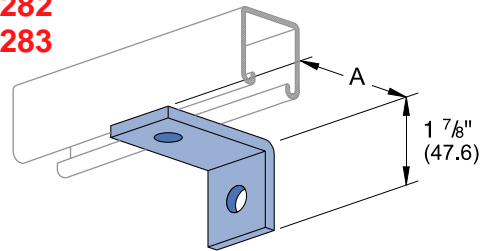
**LVM1723**



**LVM1068**

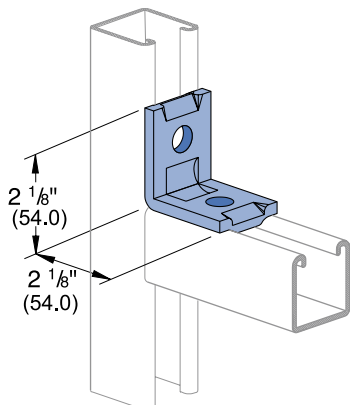


**LVM1281  
LVM1282  
LVM1283**

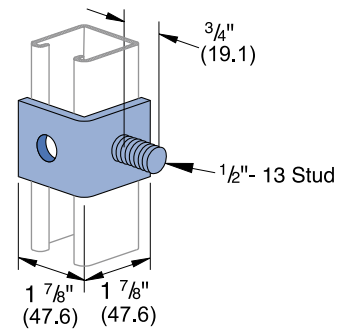


Part Number	"A" Dimension	
	In	mm
LVM1281	3	76.2
LVM1282	3 1/2	88.9
LVM1283	4	101.6

**LVM2626**

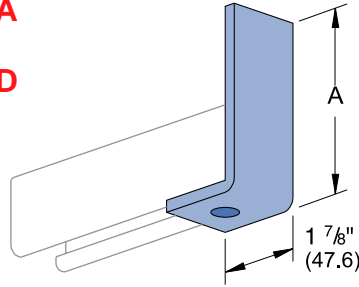


**LVM1315**



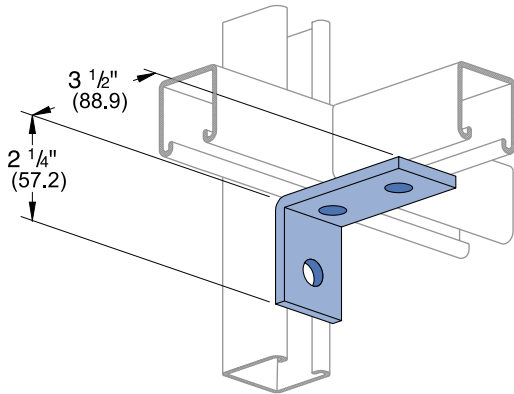
Hole Size	Hole Spacing	Width
5/16" Diameter 14.3 mm	13/16" (20.6 mm) From End 1 7/8" (47.6 mm) On Center	1 5/8" 41.3 mm

**LVM1538 A  
thru  
LVM1538 D**

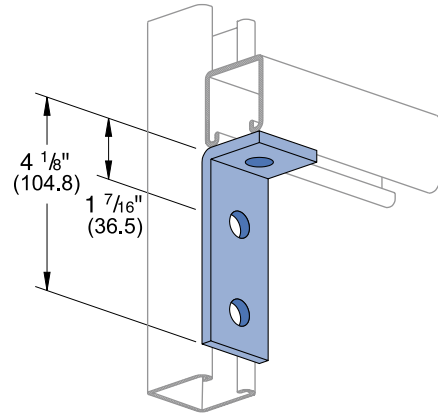


Part Number	"A" Dimension	
	In	mm
LVM1538 A	3 7/8	98.4
LVM1538 B	5 7/8	149.2
LVM1538 C	7 7/8	200.0
LVM1538 D	9 7/8	250.8

**LVM1458**

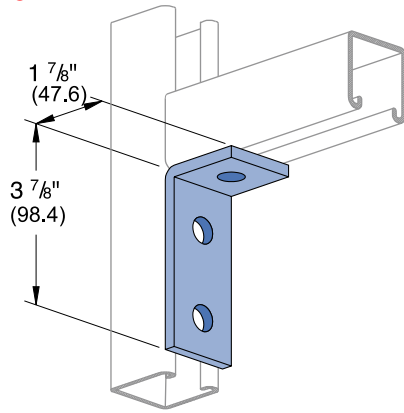


**LVM1326**

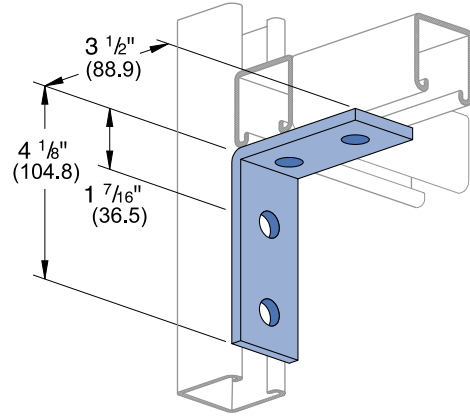


Hole Size	Hole Spacing	Width
9/16" Diameter 14.3 mm	1 3/16" (20.6 mm) From End 1 7/8" (47.6 mm) On Center	1 5/8" 41.3 mm

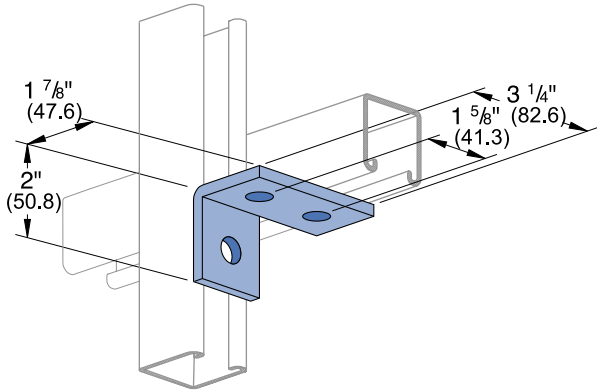
**LVM1346**



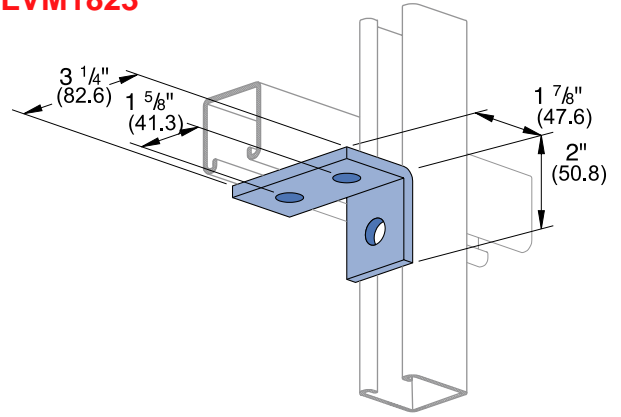
**LVM1325**



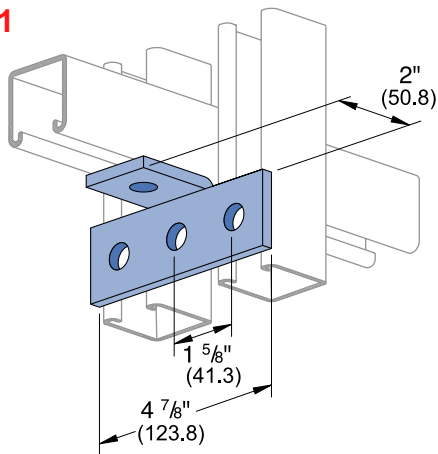
**LVM1822**



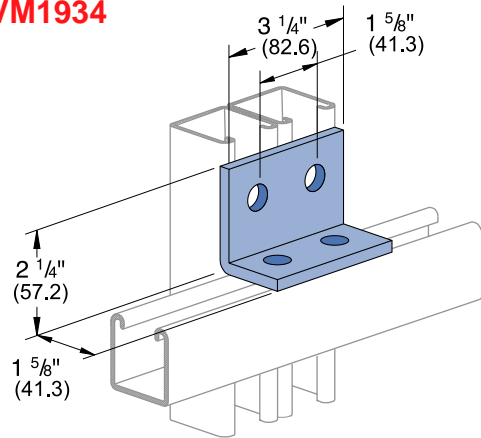
**LVM1823**



**LVM1821**

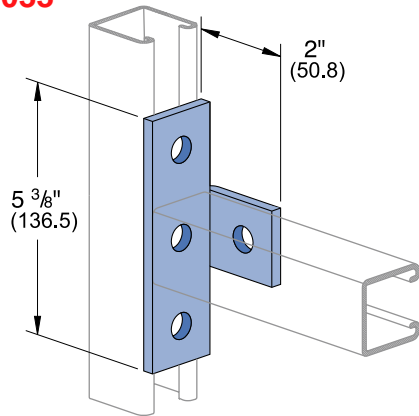


**LVM1934**

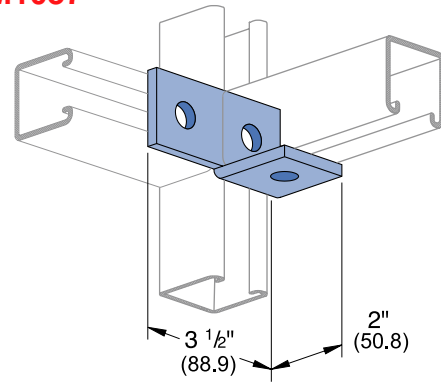


Hole Size	Hole Spacing	Width
5/16" Diameter 14.3 mm	13/16" (20.6 mm) From End 1 7/8" (47.6 mm) On Center	1 5/8" 41.3 mm

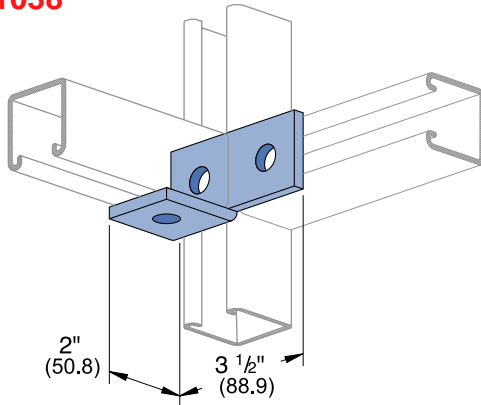
**LVM1033**



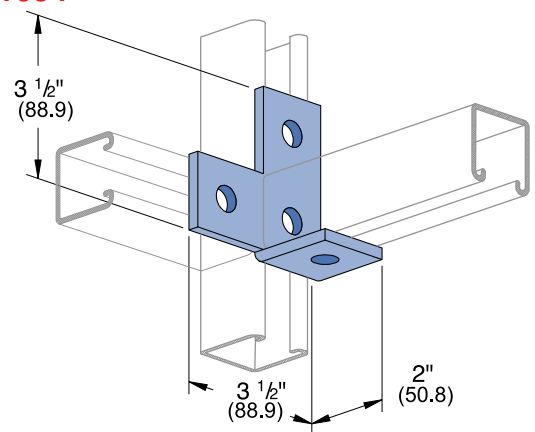
**LVM1037**



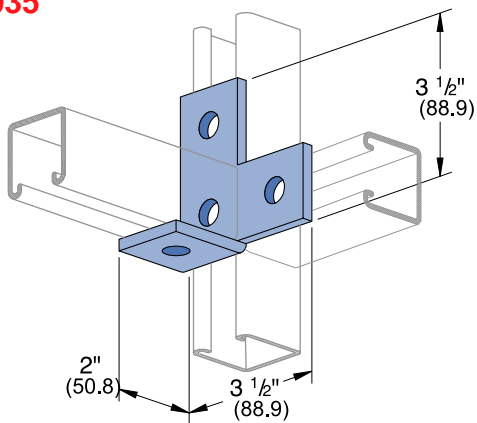
**LVM1038**



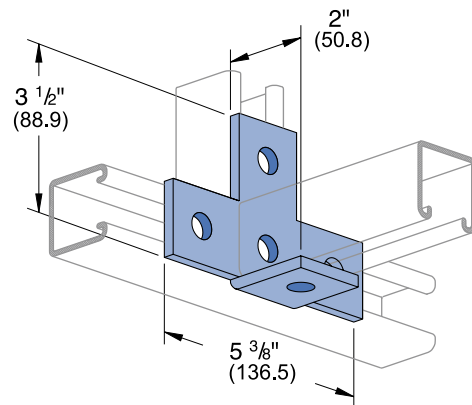
**LVM1034**



**LVM1035**

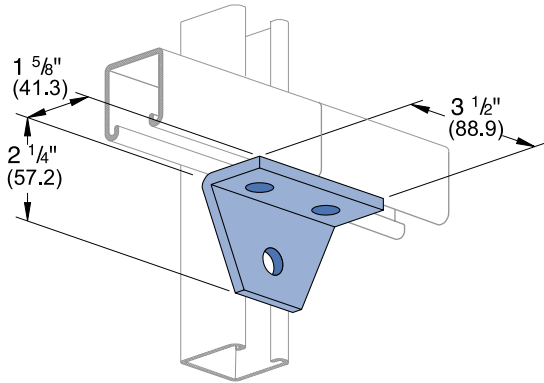


**LVM1029**

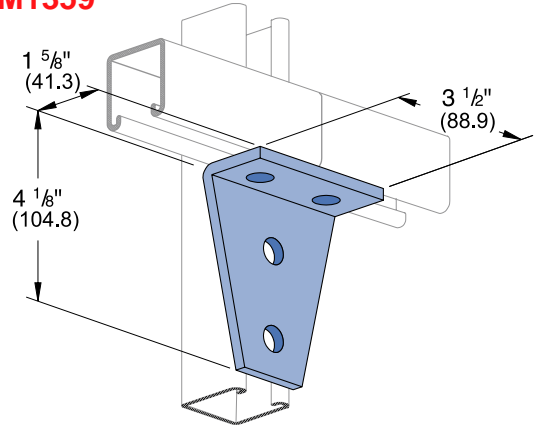


Hole Size	Hole Spacing	Width
9/16" Diameter 14.3 mm	13/16" (20.6 mm) From End 1 1/8" (47.6 mm) On Center	1 5/8" 41.3 mm

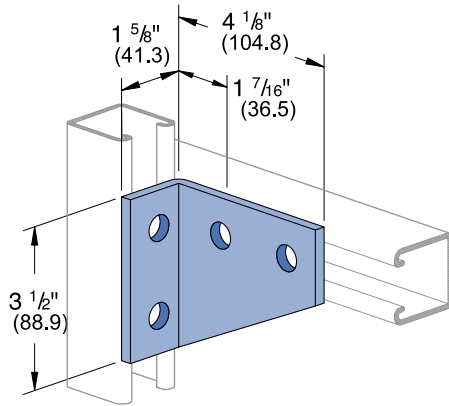
**LVM1357**



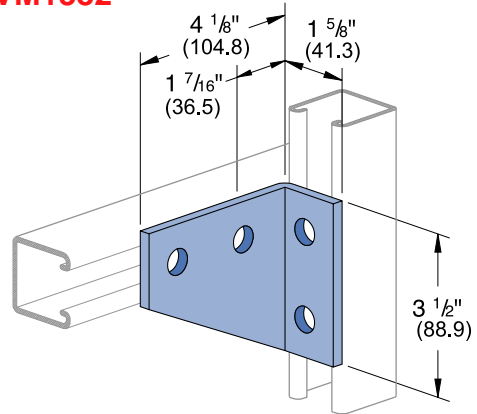
**LVM1359**



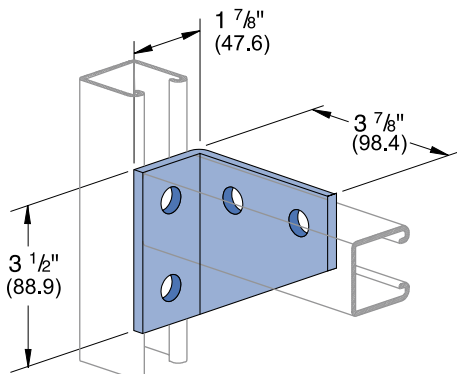
**LVM1381**



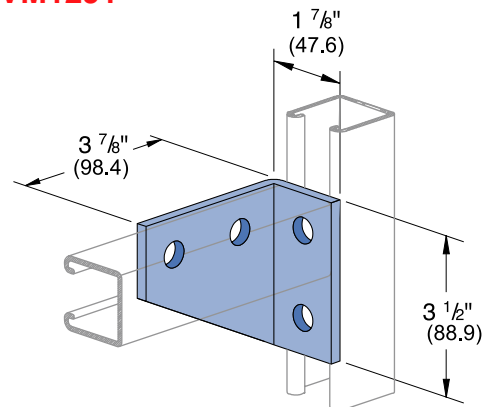
**LVM1382**



**LVM1290**

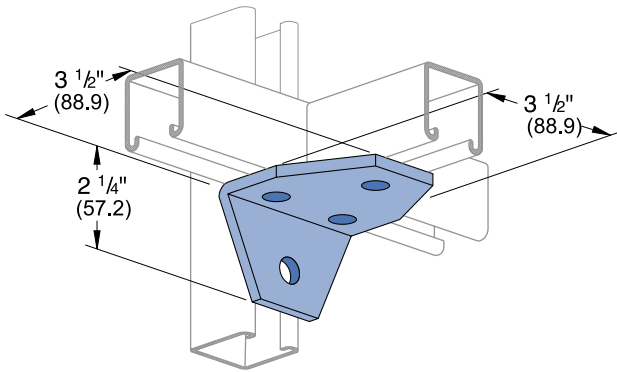


**LVM1291**

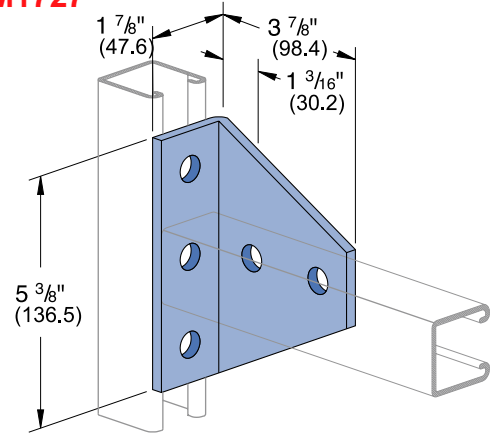


Hole Size	Hole Spacing	Width
5/16" Diameter 14.3 mm	1 3/16" (20.6 mm) From End 1 7/8" (47.6 mm) On Center	1 5/8" 41.3 mm

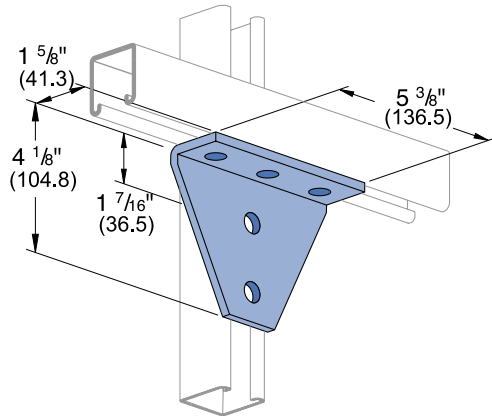
**LVM1579**



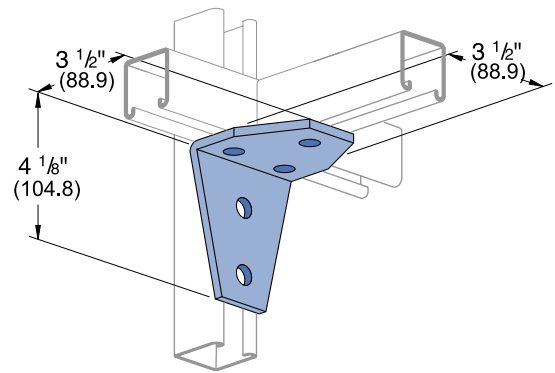
**LVM1727**



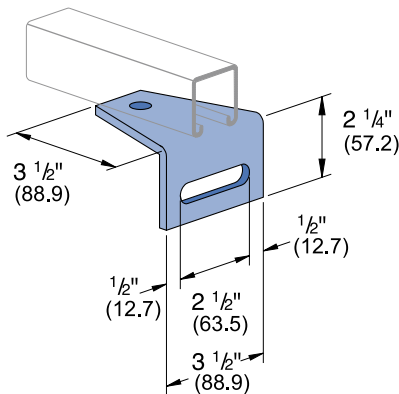
**LVM1728**



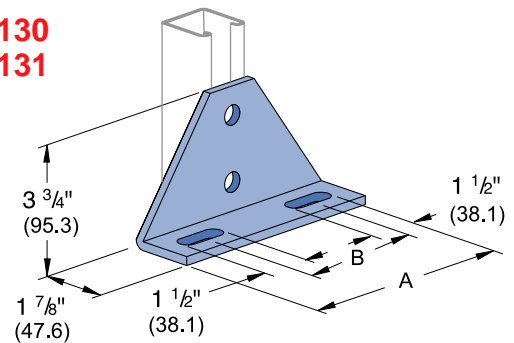
**LVM2235**



**LVM1713**



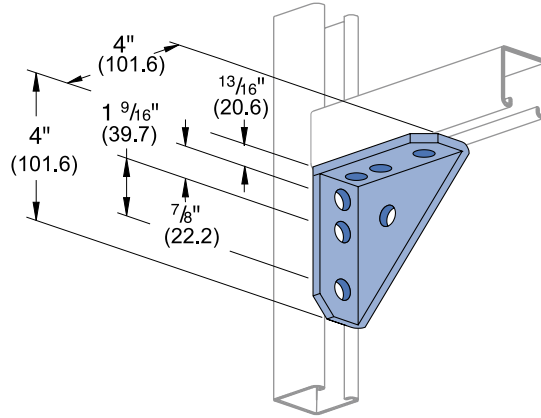
**LVM1130**  
**LVM1131**



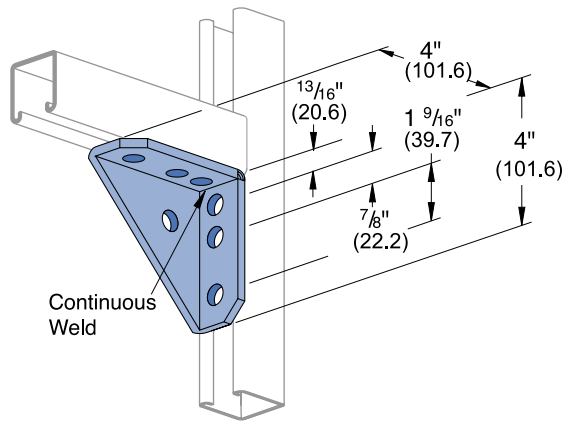
Part Number	"A"		"B"	
	In	mm	In	mm
LVM1130	6 5/8	168.3	4	101.6
LVM1131	8 5/8	219.1	6	152.4

Hole Size	Hole Spacing	Width
5/16" Diameter 14.3 mm	1 3/16" (20.6 mm) From End 1 7/8" (47.6 mm) On Center	1 5/8" 41.3 mm

**LVM2484**

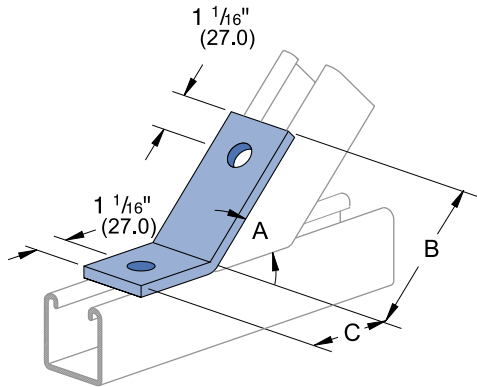


**LVM2484 W**



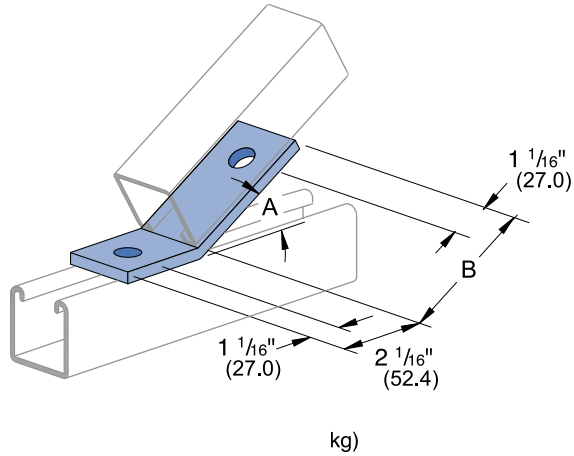
Hole Size	Hole Spacing	Width
9/16" Diameter 14.3 mm	13/16" (20.6 mm) From End 17/8" (47.6 mm) On Center	1½" 41.3 mm

**LVM1546, LVM2094 thru LVM2100**



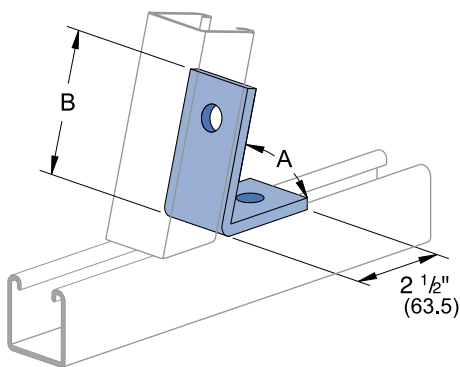
Part Number	"A"		"B"		"C"	
	Degree	rad	In	mm	In	mm
LVM2094	82 1/2°	.46	3 9/16	90.5	1 11/16	42.9
LVM2095	75°	.42	3 9/16	90.5	1 11/16	42.9
LVM2096	67 1/2°	.38	3 1/2	88.9	1 3/4	44.5
LVM2097	60°	.33	3 5/8	85.7	1 7/8	47.6
LVM2098	52 1/2°	.29	3 1/4	82.6	2 1/16	52.4
LVM1546	45°	.25	3	76.2	2 5/16	58.7
LVM2099	37 1/2°	.21	3 1/2	88.9	1 13/16	46.0
LVM2100	37 1/2°	.21	2 11/16	68.3	2 5/8	66.7

**LVM2101 thru LVM2104**



Part Number	"A"		"B"	
	Degree	rad	In	mm
LVM2101	30°	.17	3 1/4	82.6
LVM2102	22 1/2°	.13	3 5/16	84.1
LVM2103	15°	.08	3 5/16	84.1
LVM2104	7 1/2°	.04	3 5/16	84.1

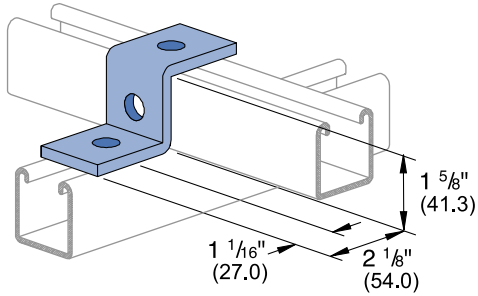
**LVM1186, LVM2105 thru LVM2110**



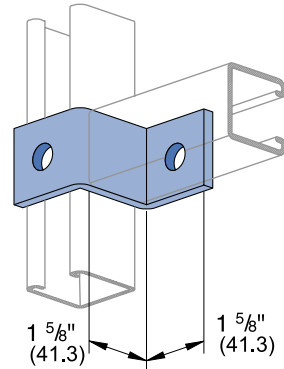
Part Number	"A"		"B"	
	Degree	rad	In	mm
LVM2105	82 1/2°	.46	3 9/16	81.0
LVM2106	75°	.42	3 9/16	81.0
LVM2107	67 1/2°	.38	3 1/8	79.4
LVM2108	60°	.33	3 1/8	79.4
LVM2109	52 1/2°	.29	3 1/16	77.8
LVM1186	45°	.25	3 1/8	79.4
LVM2110	37 1/2°	.21	3	76.2

Hole Size	Hole Spacing	Width
9/16" Diameter 14.3 mm	13/16" (20.6 mm) From End 1 7/8" (47.6 mm) On Center	1 5/8" 41.3 mm

**LVM1045**

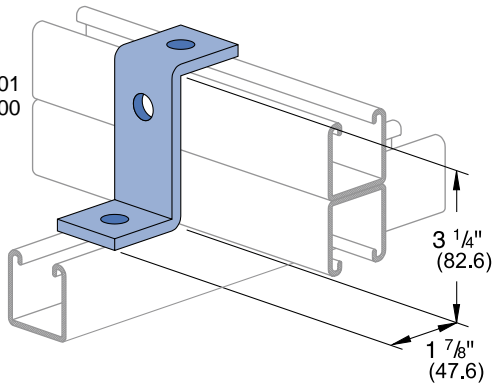


**LVM1347**

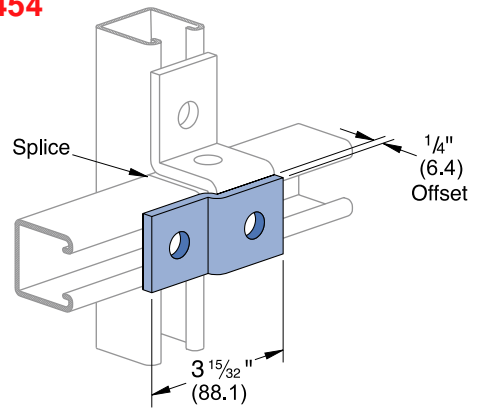


**LVM1453**

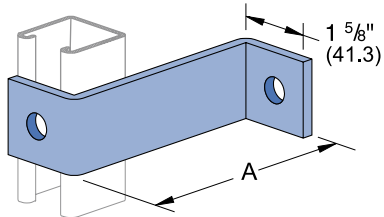
LVM1001  
LVM5000



**LVM1454**

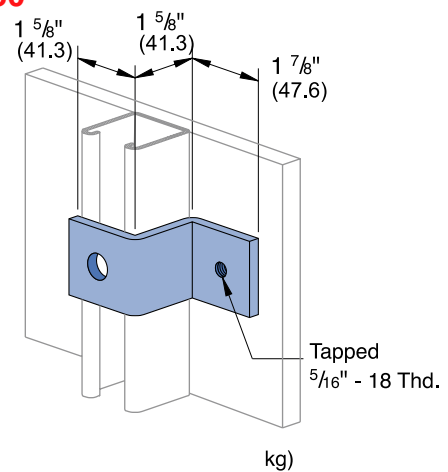


**LVM1479 A thru LVM1479 E**



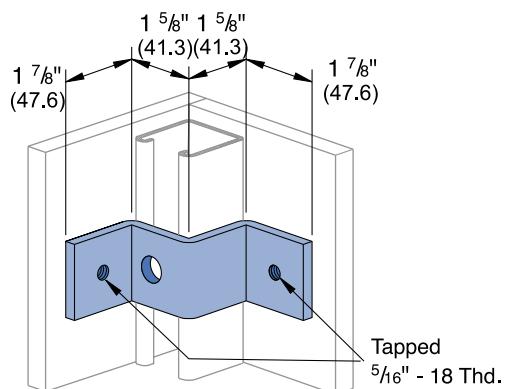
Part Number	"A" Dimension	
	In	mm
LVM1479 A	4	101.6
LVM1479 B	5	127.0
LVM1479 C	6	152.4
LVM1479 D	7	177.8
LVM1479 E	8	203.2

**LVM1730**

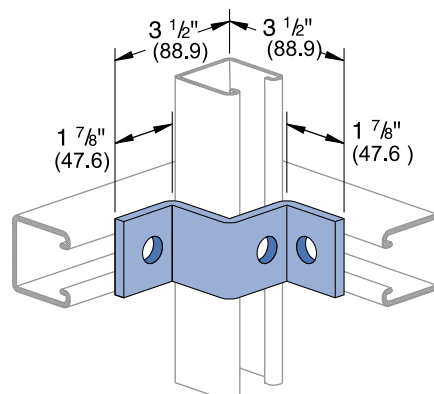


Hole Size	Hole Spacing	Width
5/16" Diameter 14.3 mm	13/16" (20.6 mm) From End 1 7/8" (47.6 mm) On Center	1 5/8" 41.3 mm

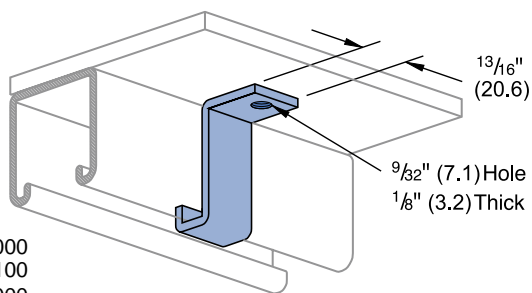
**LVM1734**



**LVM1736**

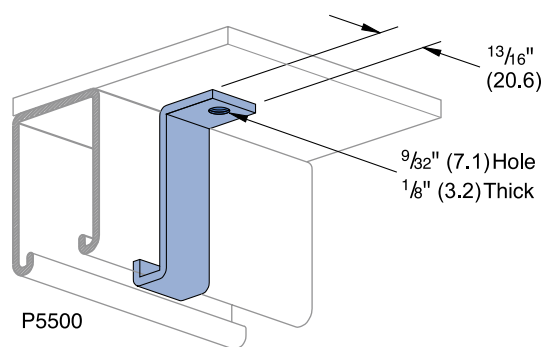


**LVM2360**



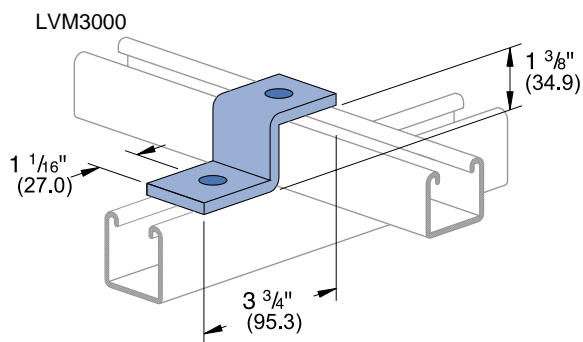
LVM1000  
LVM1100  
LVM2000

**LVM5560**

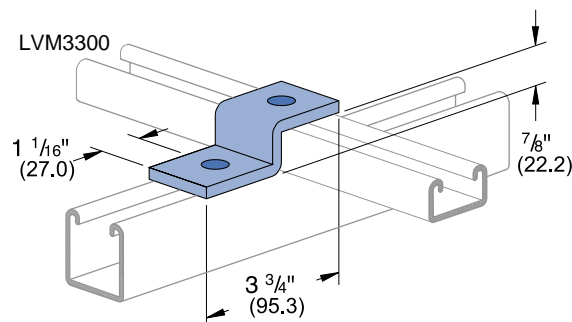


P5500

**LVM3045**

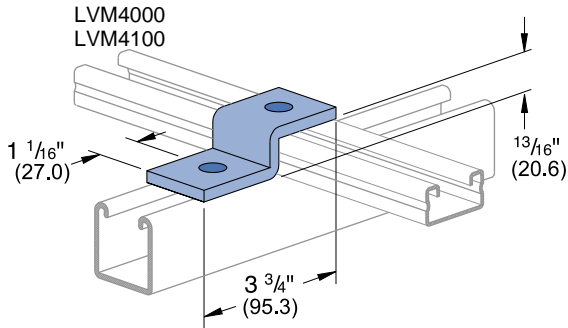


**LVM3345**

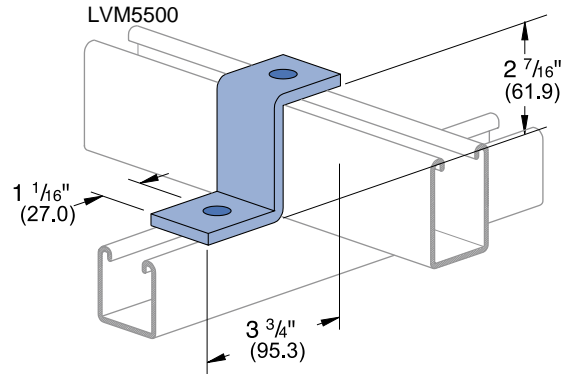


Hole Size	Hole Spacing	Width
5/16" Diameter 14.3 mm	13/16" (20.6 mm) From End 1 7/8" (47.6 mm) On Center	1 5/8" 41.3 mm

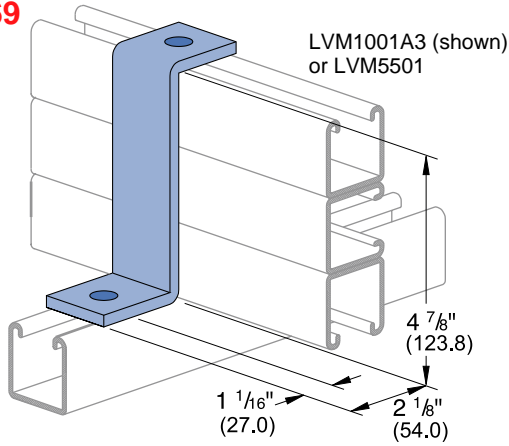
**LVM4045**



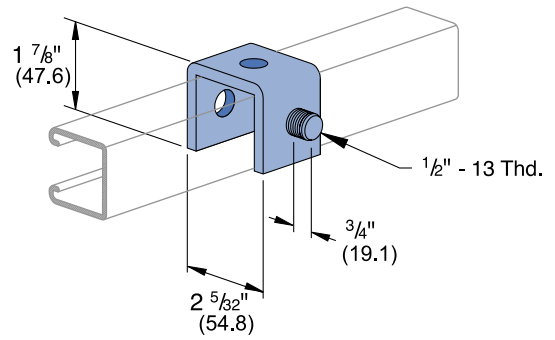
**LVM5545**



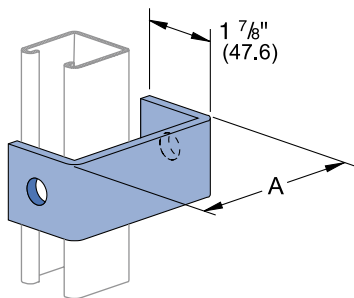
**LVM2469**



**LVM1320**



**LVM1363 A thru LVM1363 E**



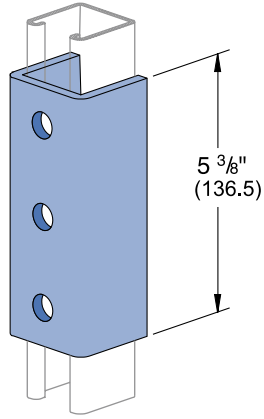
Part Number	"A" Dimension	
	In	mm
LVM1363 A	4	101.6
LVM1363 B	5	127.0
LVM1363 C	6	152.4
LVM1963 D	7	177.8
LVM1963 E	8	203.2

Hole Size	Hole Spacing	Width
5/16" Diameter 14.3 mm	13/16" (20.6 mm) From End 1 7/8" (47.6 mm) On Center	1 5/8" 41.3 mm

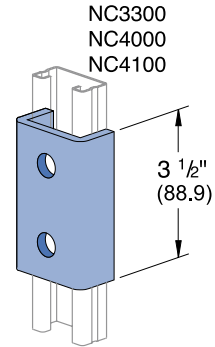
**"U" SHAPE FITTINGS**  
FOR 1 5/8" (41 MM) WIDTH SERIES CHANNEL



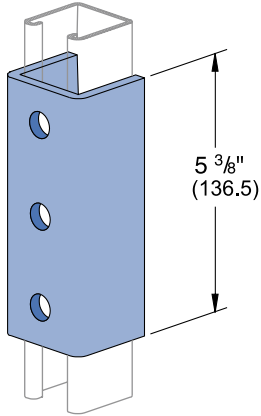
**LVM1376**



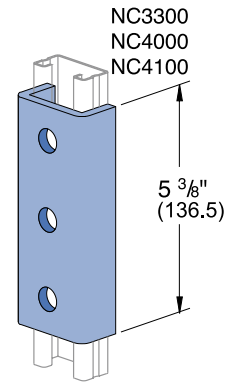
**LVM4376**



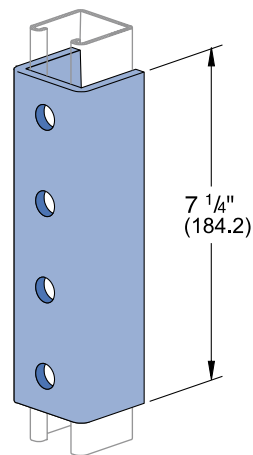
**LVM1376 A**



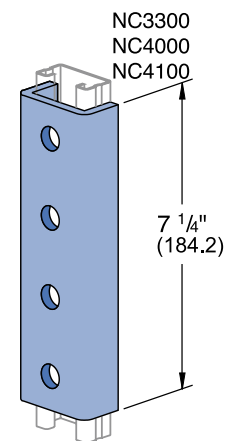
**LVM4376 A**



**LVM1377**

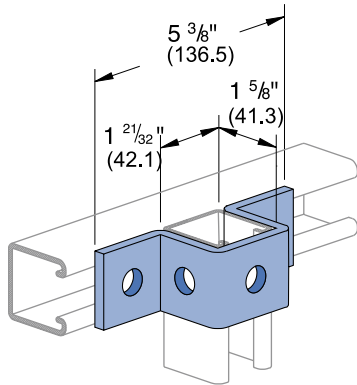


**LVM4377**

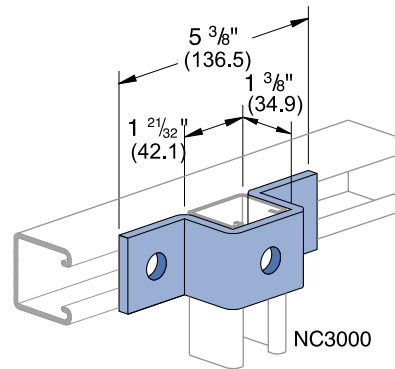


Hole Size	Hole Spacing	Width
5/16" Diameter 14.3 mm	13/16" (20.6 mm) From End 1 7/8" (47.6 mm) On Center	1 5/8" 41.3 mm

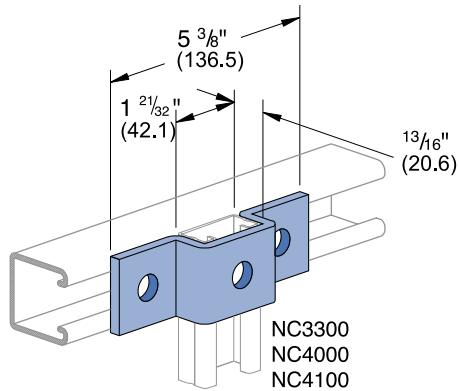
**LVM1047**



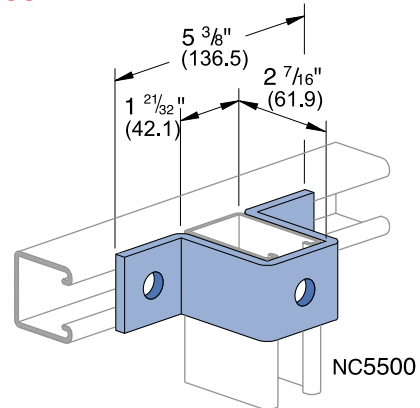
**LVM3047**



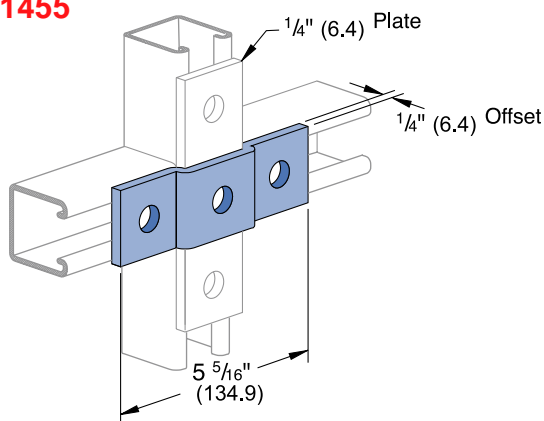
**LVM4047**



**LVM5547**

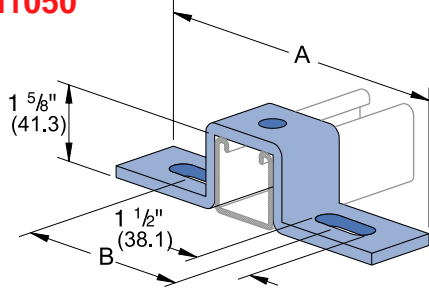


**LVM1455**



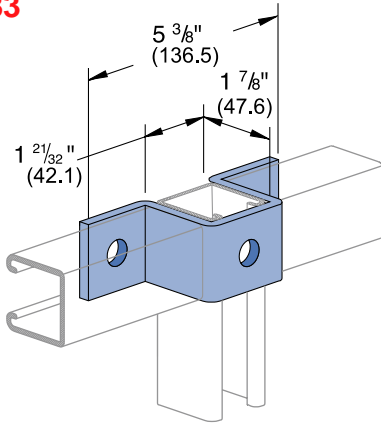
Hole Size	Hole Spacing	Width
5/16" Diameter 14.3 mm	13/16" (20.6 mm) From End 17/8" (47.6 mm) On Center	1 5/8" 41.3 mm

**LVM1048**  
**LVM1049**  
**LVM1050**

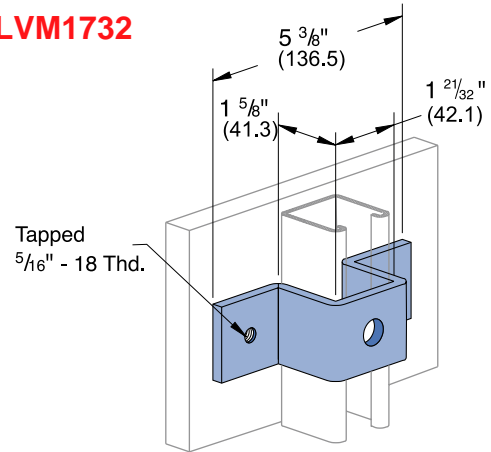


Part Number	"A"		"B"	
	In	mm	In	mm
LVM1048	7 1/4	184.2	4 1/8	104.8
LVM1049	8 1/2	215.9	5 3/8	136.5
LVM1050	10 3/8	263.5	7 1/4	184.2

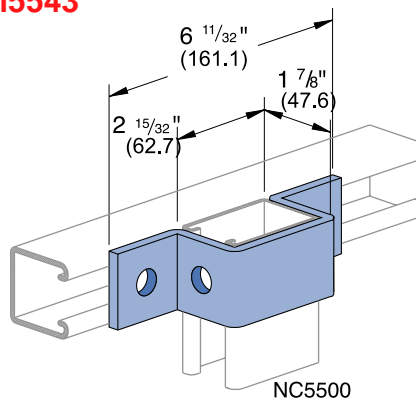
**LVM1383**



**LVM1732**

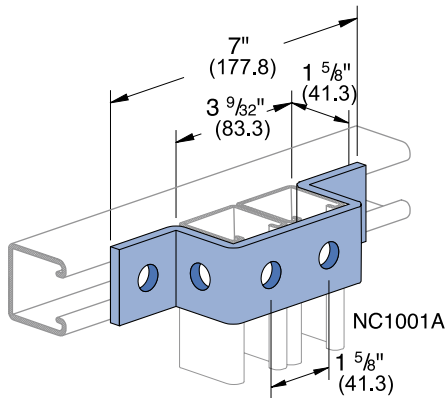


**LVM5543**

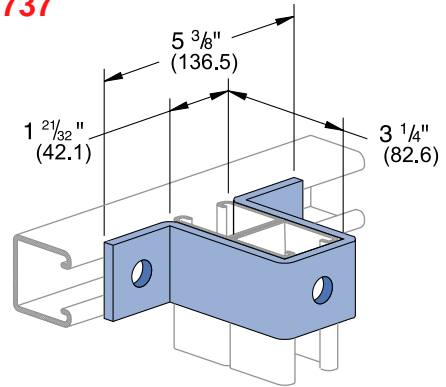


Hole Size	Hole Spacing	Width
1/16" Diameter 14.3 mm	13/16" (20.6 mm) From End 1 7/8" (47.6 mm) On Center	1 5/8" 41.3 mm

**LVM1043 A**

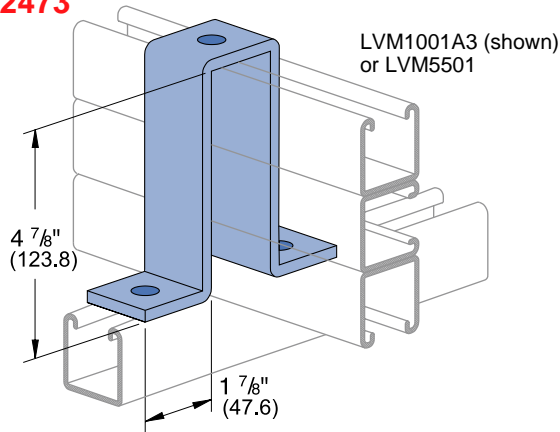


**LVM1737**

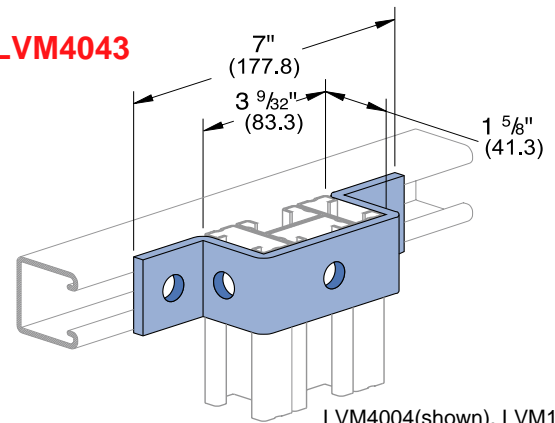


LVM1001 (shown), LVM1101,  
LVM2001, LVM4004 or LVM5000

**LVM2473**

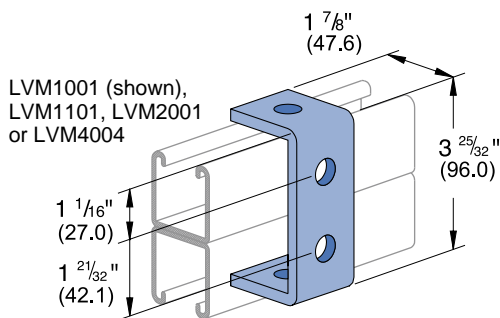


**LVM4043**

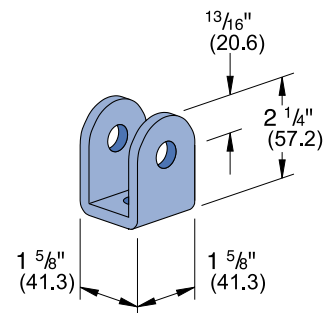


LVM4004 (shown), LVM1101,  
LVM1101, LVM2001 or LVM5000

**LVM1044**



**LVM1973**



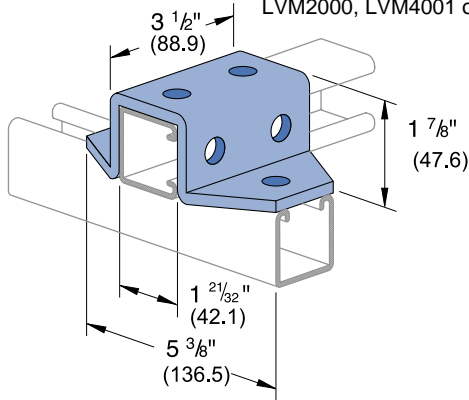
Hole Size	Hole Spacing	Width
5/16" Diameter 14.3 mm	13/16" (20.6 mm) From End 1 7/8" (47.6 mm) On Center	1 5/8" 41.3 mm

**"U" AND WING SHAPE FITTINGS**  
FOR 1 5/8" (41 MM) WIDTH SERIES CHANNEL



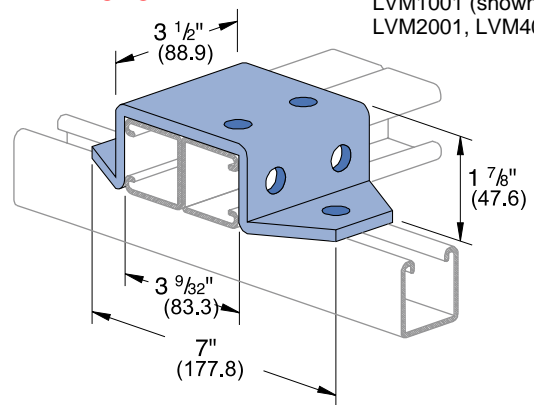
**LVM2326**

LVM1000 (shown), LVM1100,  
LVM2000, LVM4001 or LVM4101



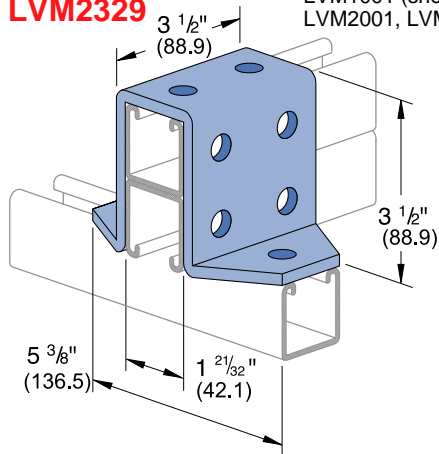
**LVM2328**

LVM1001 (shown), LVM1101,  
LVM2001, LVM4004 or LVM5000

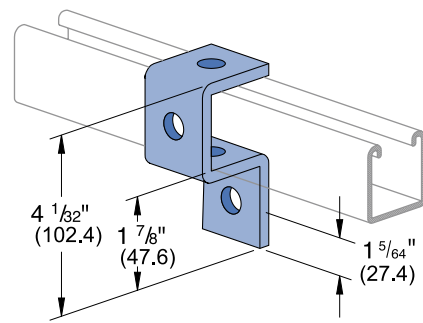


**LVM2329**

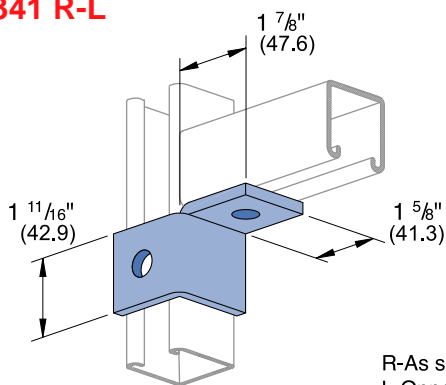
LVM1001 (shown), LVM1101,  
LVM2001, LVM4004 or LVM5000



**LVM1046 A**

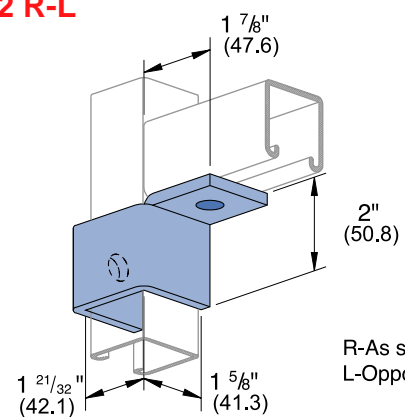


**LVM2341 R-L**



R-As shown  
L-Opposite hand

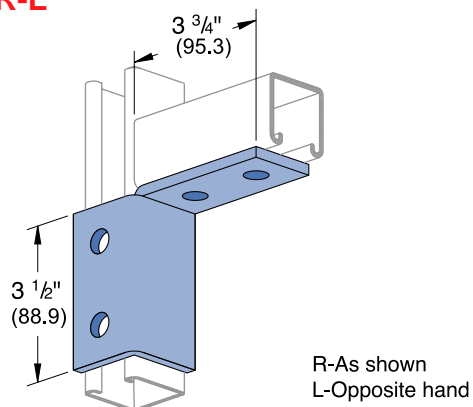
**LVM2472 R-L**



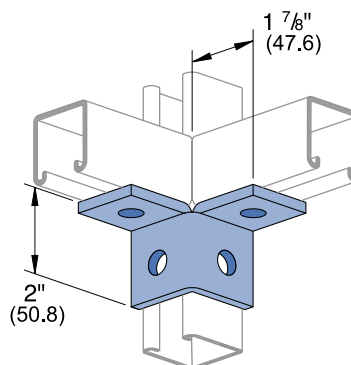
R-As shown  
L-Opposite hand

Hole Size	Hole Spacing	Width
1/16" Diameter 14.3 mm	13/16" (20.6 mm) From End 1 7/8" (47.6 mm) On Center	1 5/8" 41.3 mm

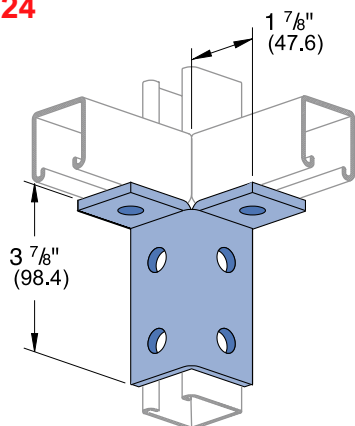
**LVM2343 R-L**



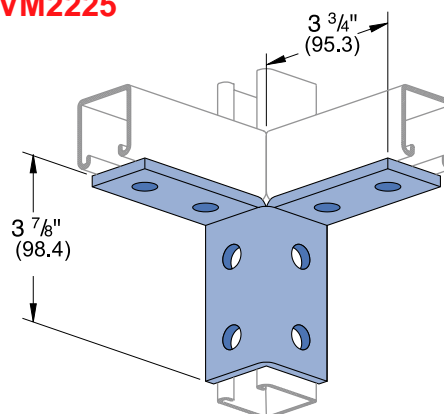
**LVM2223**



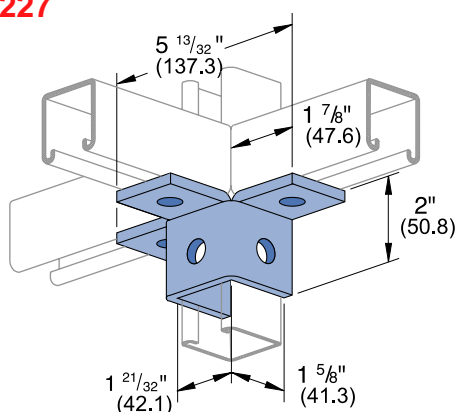
**LVM2224**



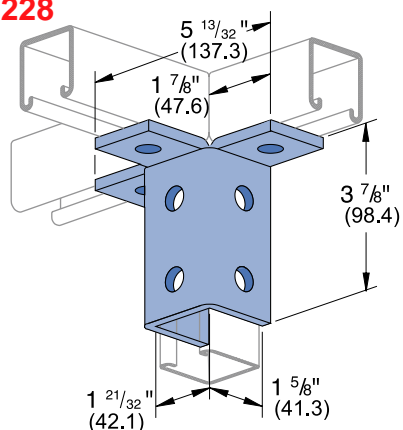
**LVM2225**



**LVM2227**

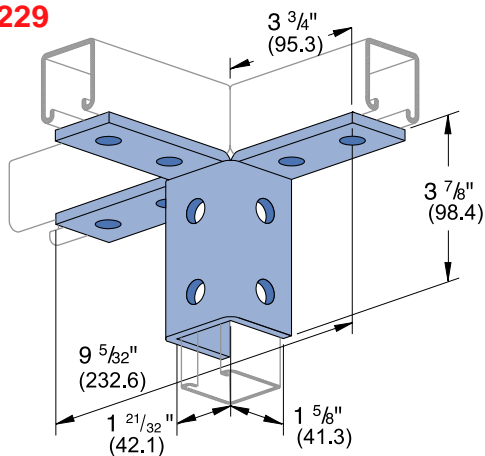


**LVM2228**

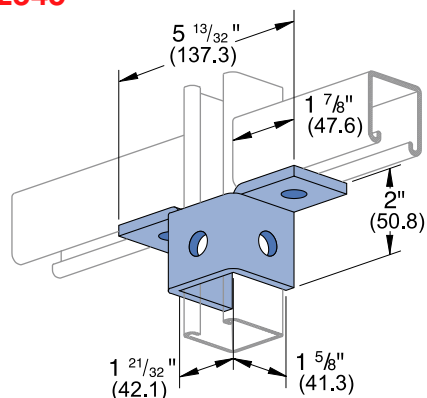


Hole Size	Hole Spacing	Width
5/16" Diameter 14.3 mm	13/16" (20.6 mm) From End 1 7/8" (47.6 mm) On Center	1 5/8" 41.3 mm

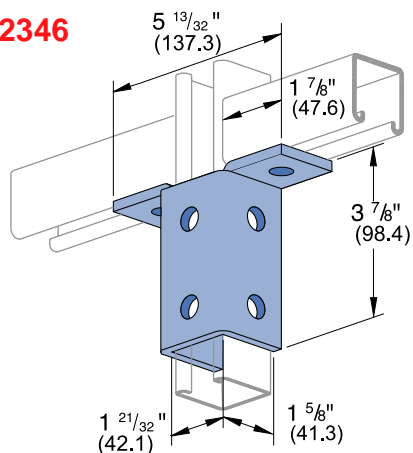
**LVM2229**



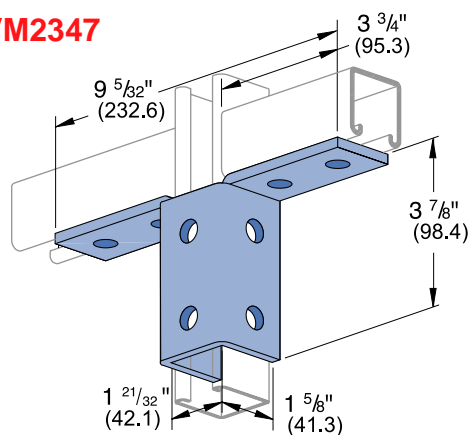
**LVM2345**



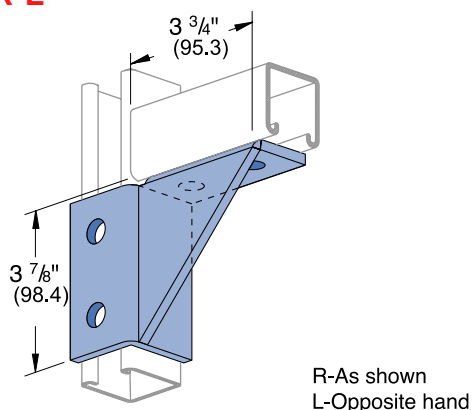
**LVM2346**



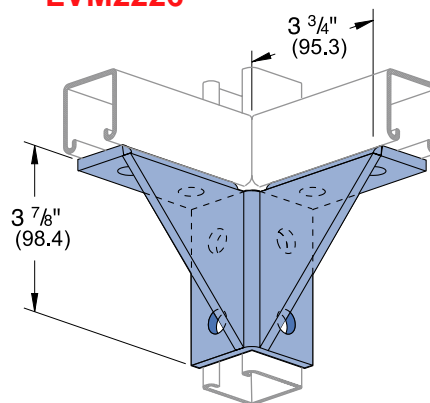
**LVM2347**



**LVM2344 R-L**

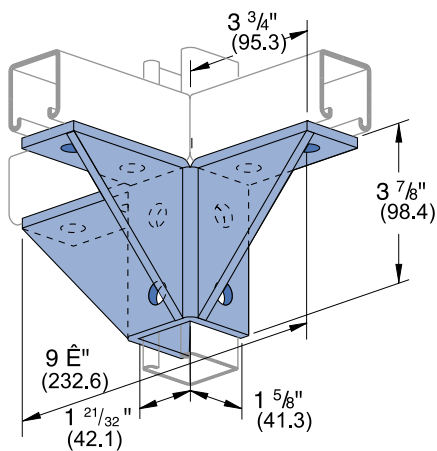


**LVM2226**

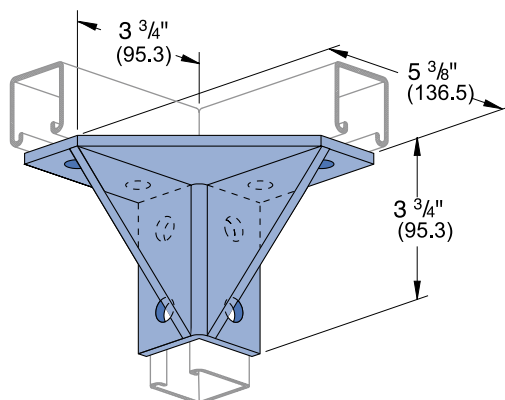


Hole Size	Hole Spacing	Width
5/16" Diameter 14.3 mm	13/16" (20.6 mm) From End 1 7/8" (47.6 mm) On Center	1 5/8" 41.3 mm

**LVM2230**

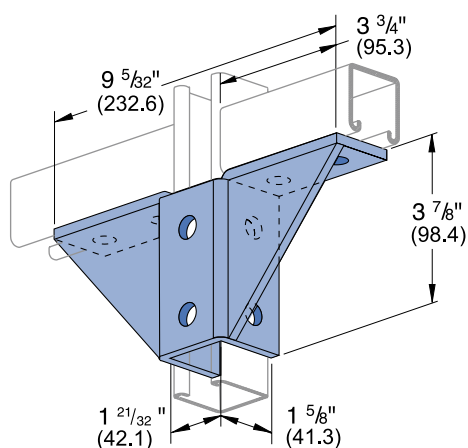


**LVM2245**



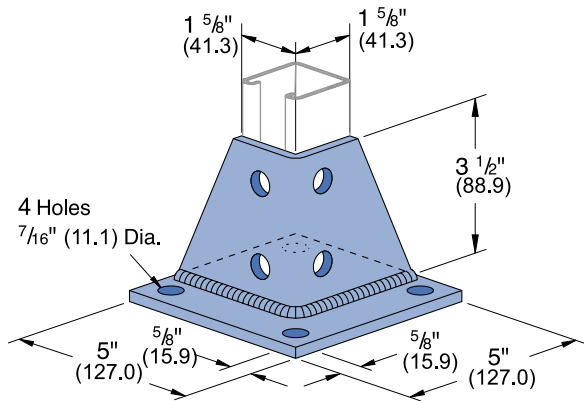
Fitting notched for continuous vertical.

**LVM2348**

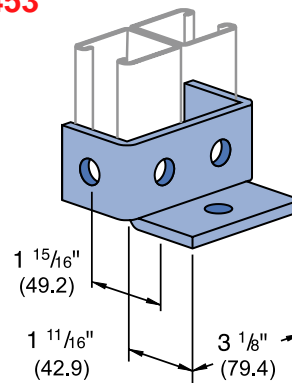


Hole Size	Hole Spacing	Width
5/16" Diameter 14.3 mm	1 3/16" (20.6 mm) From End 1 7/8" (47.6 mm) On Center	1 5/8" 41.3 mm

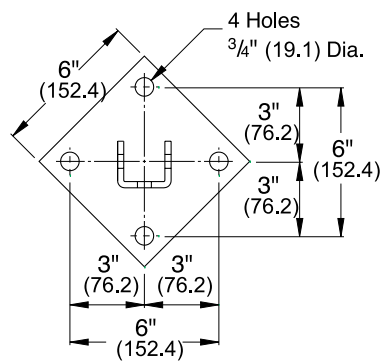
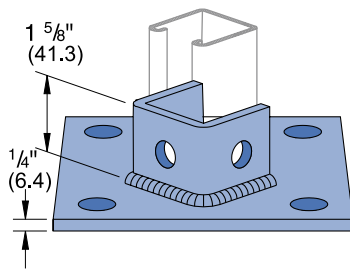
**LVM1887**



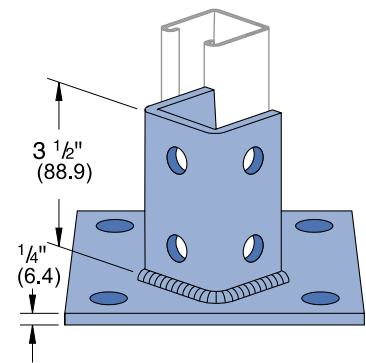
**LVM2453**



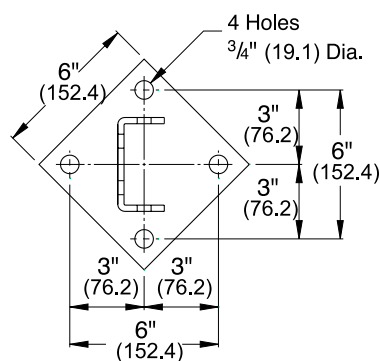
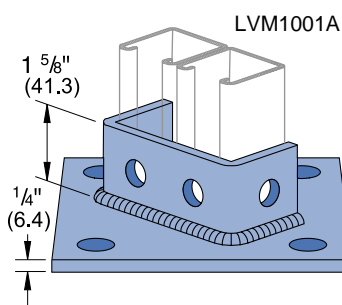
**LVM2072**



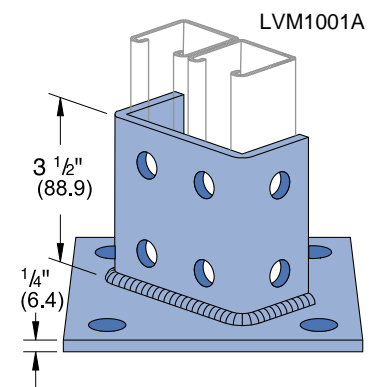
**LVM2072 A**



**LVM2073**



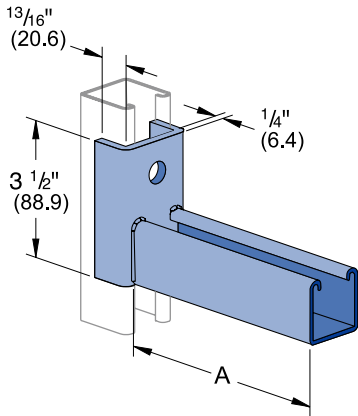
**LVM2073 A**



Hole Size	Hole Spacing	Width
5/16" Diameter 14.3 mm	13/16" (20.6 mm) From End 1 7/8" (47.6 mm) On Center	1 5/8" 41.3 mm

**LVM2231**

**LVM2232**

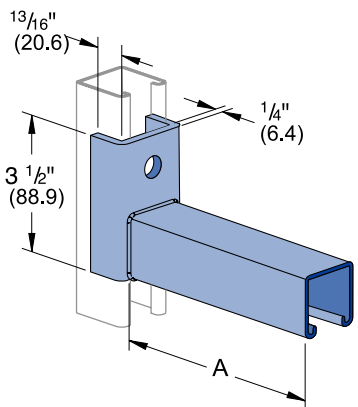


Safety Factor  
2 1/2

Part Number	"A"		Vertical Channel		Uniform Design Load	
	In	mm	Part No.	Gage	Lbs	kN
LVM2231	6	152.4	NC1000	12	1600	7.1
			NC1100	14	1200	5.3
			NC2000	16	800	3.6
LVM2232	12	304.8	NC1000	12	800	3.6
			NC1100	14	600	2.7
			NC2000	16	400	1.8

**LVM2231 A**

**LVM2232 A**

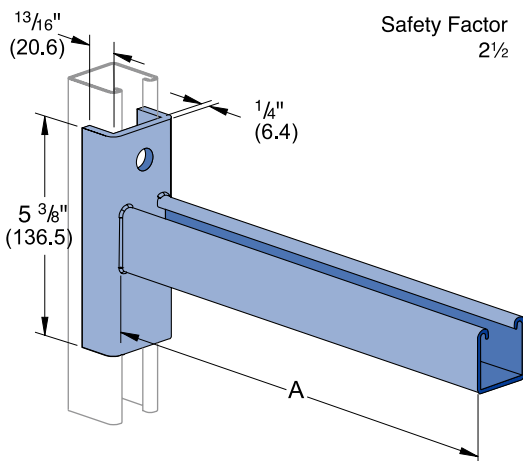


Safety Factor  
2 1/2

Part Number	"A"		Vertical Channel		Uniform Design Load	
	In	mm	Part No.	Gage	Lbs	kN
LVM2231A	6	152.4	NC1000	12	1600	7.1
			NC1100	14	1200	5.3
			NC2000	16	800	3.6
LVM2232A	12	304.8	NC1000	12	800	3.6
			NC1100	14	600	2.7
			NC2000	16	400	1.8

**LVM2233**

**LVM2234**



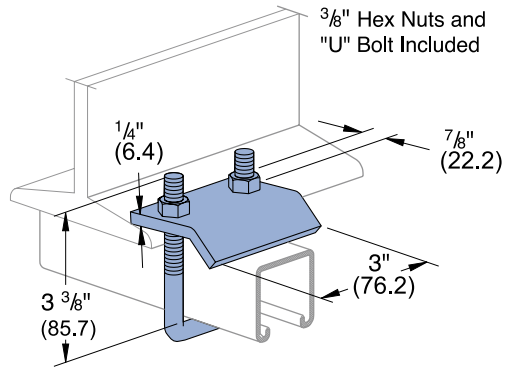
Safety Factor  
2 1/2

Part Number	"A"		Vertical Channel		Uniform Design Load	
	In	mm	Part No.	Gage	Lbs	kN
LVM2233	18	457.2	NC1000	12	600	2.7
			NC1100	14	450	2.0
			NC2000	16	300	1.3
LVM2234	24	609.6	NC1000	12	450	2.0
			NC1100	14	330	1.5
			NC2000	16	220	1.0

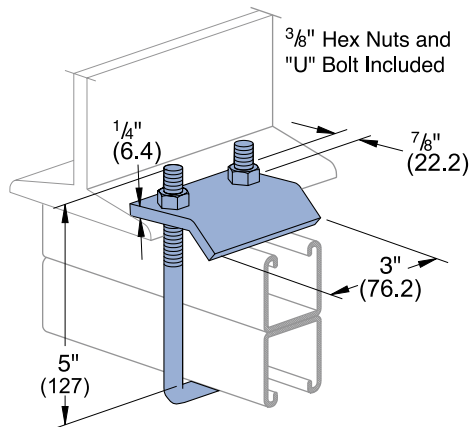
**NOTE**

When used for mechanical supports, load capacities of brackets and fittings should be in compliance with the American Standard Code for Pressure Piping.

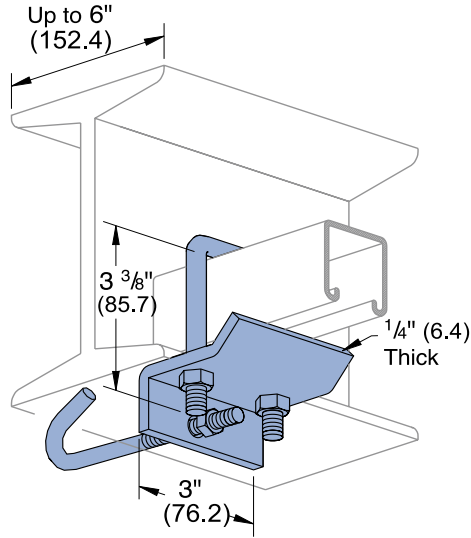
**LVM2785**



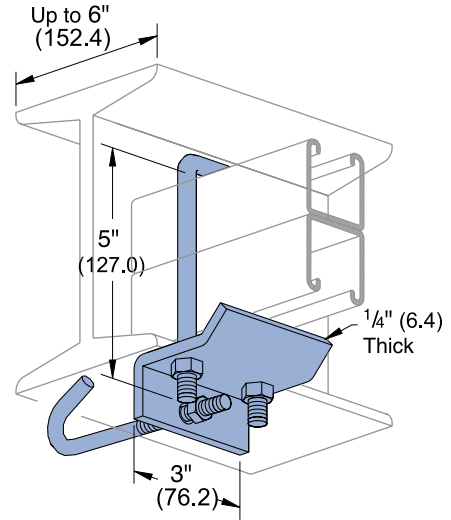
**LVM2786**



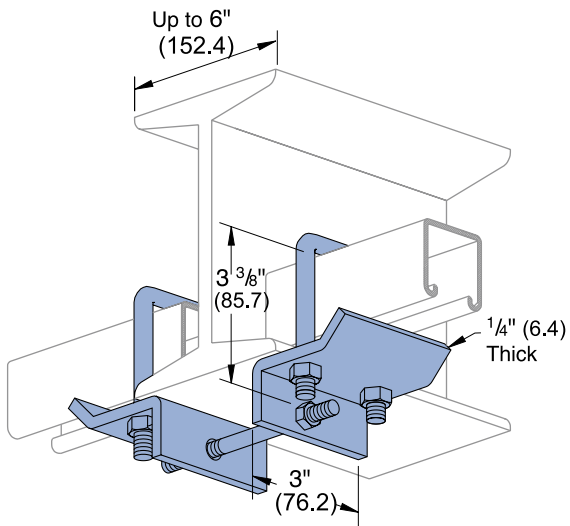
**LVM2867**



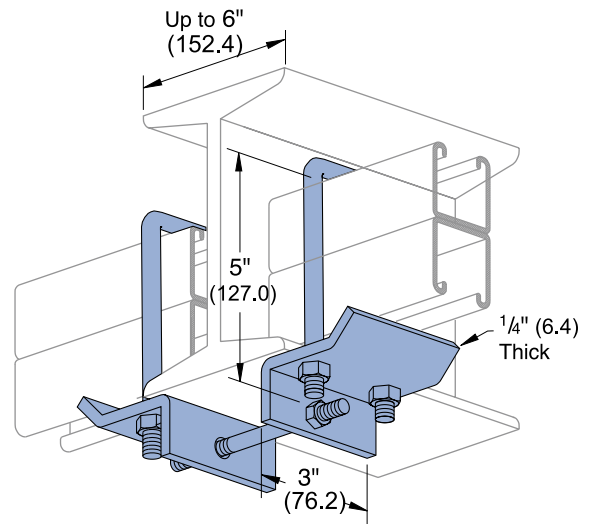
**LVM2867 A**



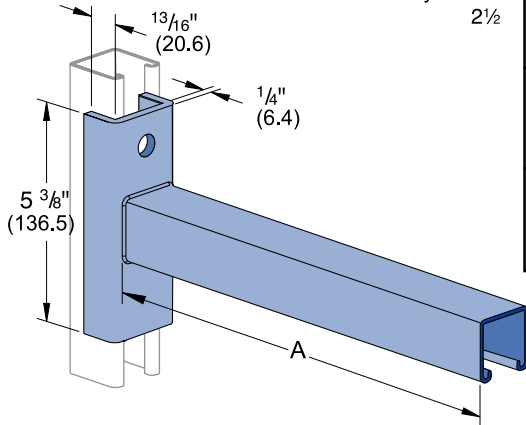
**LVM2868**



**LVM2868 A**



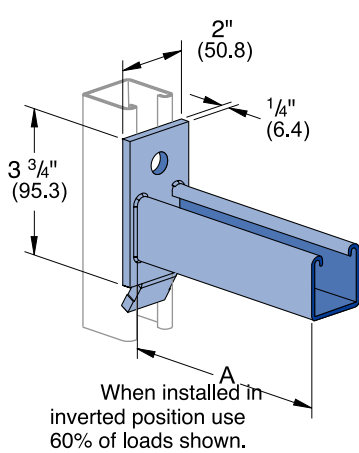
**LVM2233 A**  
**LVM2234 A**



Safety Factor  
2 1/2

Part Number	"A"		Vertical Channel		Uniform Design Load	
	In	mm	Part No.	Gage	Lbs	kN
LVM2233A	18	457.2	NC1000	12	600	2.7
			NC1100	14	450	2.0
			NC2000	16	300	1.3
LVM2234A	24	609.6	NC1000	12	450	2.0
			NC1100	14	330	1.5
			NC2000	16	220	1.0

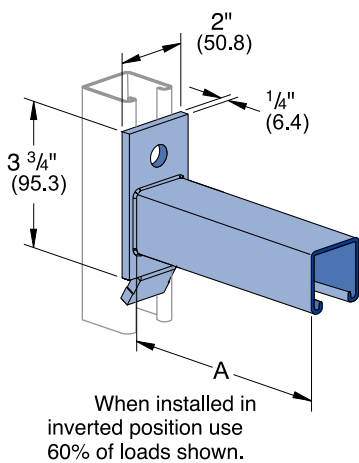
**LVM2513 thru LVM2516**



Safety Factor  
2 1/2

Part Number	"A"		Vertical Channel		Uniform Design Load	
	In	mm	Part No.	Gage	Lbs	kN
LVM2513	6	152.4	NC1000	12	1200	5.3
			NC1100	14	800	3.6
			NC2000	16	600	2.7
LVM2514	12	304.8	NC1000	12	600	2.7
			NC1100	14	400	1.8
			NC2000	16	300	1.3
LVM2515	18	457.2	NC1000	12	400	1.8
			NC1100	14	270	1.2
LVM2516	24	609.6	NC2000	16	200	0.9
			NC1000	12	300	1.3
			NC1100	14	200	0.9

**LVM2513 A thru LVM2516 A**



Safety Factor  
2 1/2

Part Number	"A"		Vertical Channel		Uniform Design Load	
	In	mm	Part No.	Gage	Lbs	kN
LVM2513A	6	152.4	NC1000	12	1200	5.3
			NC1100	14	800	3.6
			NC2000	16	600	2.7
LVM2514A	12	304.8	NC1000	12	600	2.7
			NC1100	14	400	1.8
			NC2000	16	300	1.3
LVM2515A	18	457.2	NC1000	12	400	1.8
			NC1100	14	270	1.2
			NC2000	16	200	0.9
LVM2516A	24	609.6	NC1000	12	300	1.3
			NC1100	14	200	0.9
			NC2000	16	150	0.7

**NOTE**

When used for mechanical supports, load capacities of brackets and fittings should be in compliance with the American Standard Code for Pressure Piping.

# **LVM** STRUT



7705 Wright Rd  
Houston, Tx 77041



281-513-3761



[www.lvmmaxstrut.com](http://www.lvmmaxstrut.com)