

ALUMINUM RAILING SYSTEM



Proprietary and Confidential

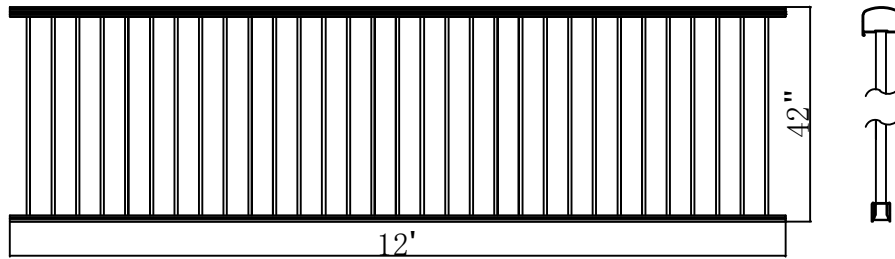
The information contained in this drawing is the sole property of True North Railings Inc. Any producing in part or as a whole without the written permission of True North Railings prohibited.



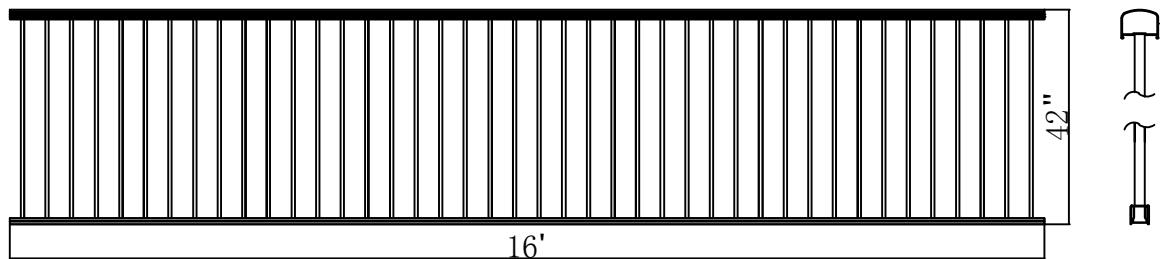
Add: True North Railings Inc.
Calgary, Alberta, Canada
Phone: +1-587-620-8477
E-mail: sales@truenorthrailings.com
Website: <http://www.TrueNorthRailings.com>

ALUMINUM RAILING SYSTEM

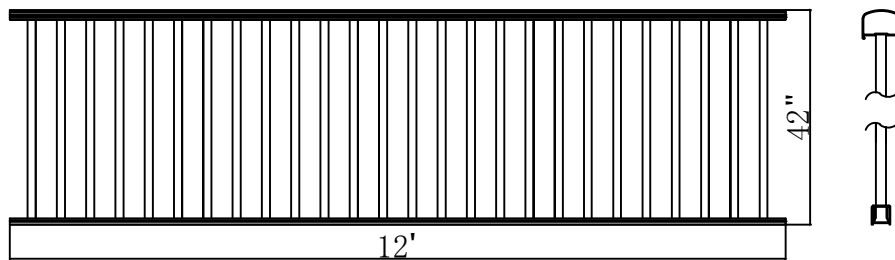
WELDED RAIL



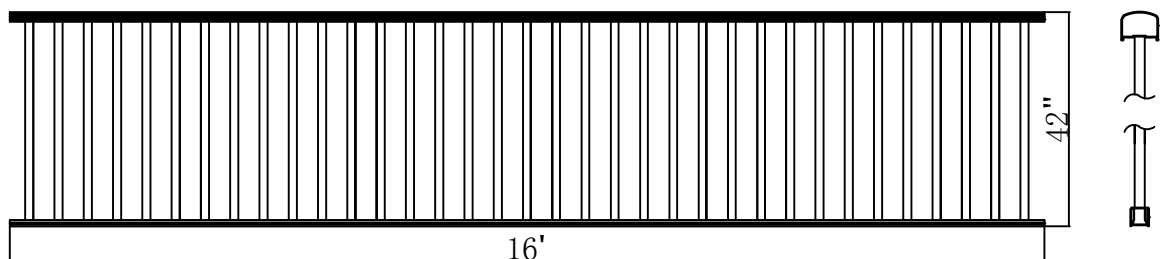
WELDED 5/8" PICKET RAIL 12' LENGTH
RCP121-2A



WELDED 5/8" PICKET RAIL 16' LENGTH
RCP121-2



WELDED 1-1/2" PICKET RAIL 12' LENGTH
RCP221-2A



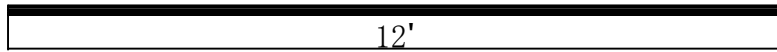
WELDED 1-1/2" PICKET RAIL 16' LENGTH
RCP221-2



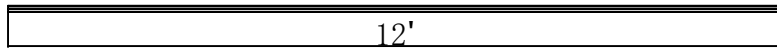
Add: True North Railings Inc.
Calgary, Alberta, Canada
Phone: +1-587-620-8477
E-mail: sales@truenorthrailings.com
Website: <http://www.TrueNorthRailings.com>

ALUMINUM RAILING SYSTEM

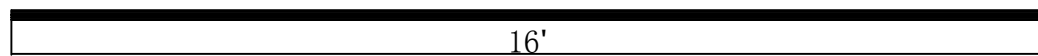
PICKET & GLASS RAIL ACCESSORIES



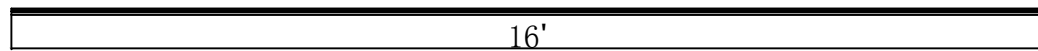
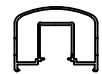
12'
TOP RAIL 12' LENGTH
RCG321-12



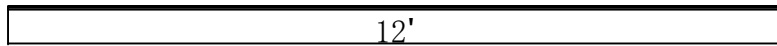
12'
BOTTOM RAIL 12' LENGTH
RCG421-12



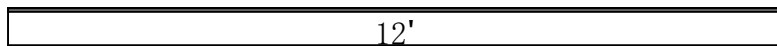
16'
TOP RAIL 16' LENGTH
RCG321-16



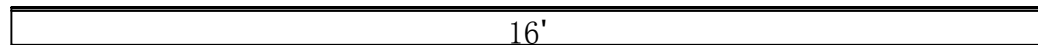
16'
BOTTOM RAIL 16' LENGTH
RCG421-16



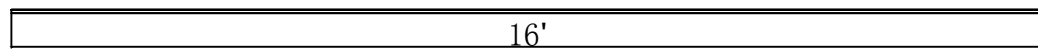
12'
TOP RAIL-GLASS LINER 12' LENGTH
RCG321-12A



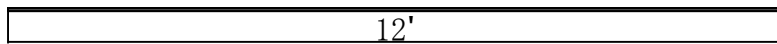
12'
BOTTOM RAIL-GLASS LINER 16' LENGTH
RCG421-12A



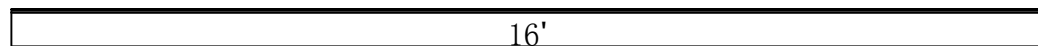
16'
TOP RAIL-GLASS LINER 16' LENGTH
RCG321-16A



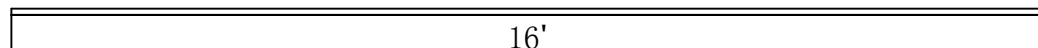
16'
BOTTOM RAIL-GLASS LINER 16' LENGTH
RCG421-16A



12'
TOP/BOTTOM RAIL-PICKET LINER 12' LENGTH
RCG521-12A



16'
TOP/BOTTOM RAIL-PICKET LINER 16' LENGTH
RCG521-16A



16'
PIPE HANDRAIL 16' LENGTH
RCH222-2

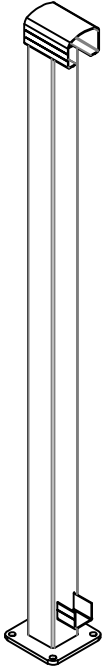
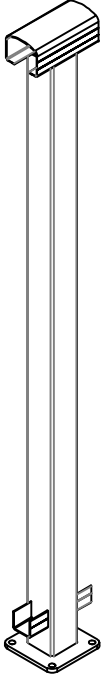
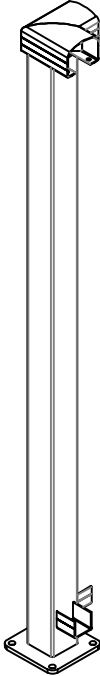
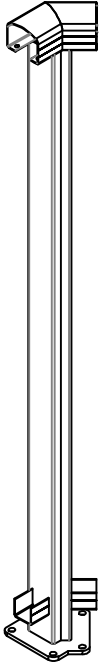
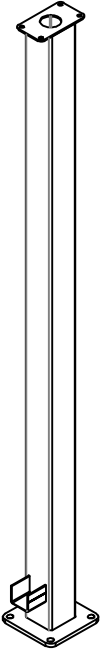
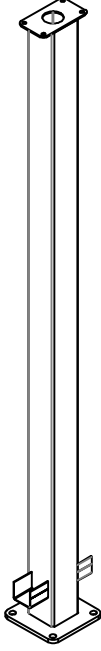
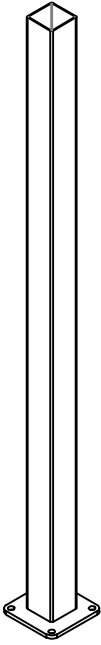
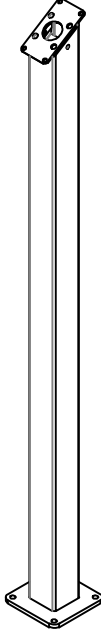




Add: True North Railings Inc.
 Calgary, Alberta, Canada
 Phone: +1-587-620-8477
 E-mail: sales@truenorthrailings.com
 Website: <http://www.TrueNorthRailings.com>

ALUMINUM RAILING SYSTEM


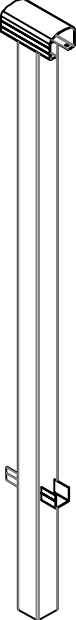
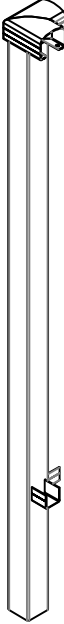
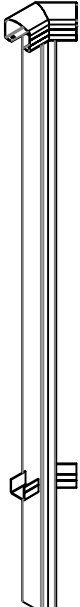

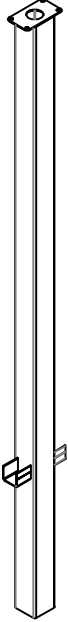


2" POST ASSEMBLY

 <p>SLEEVE END POST P222-2</p>	 <p>SLEEVE LINE POST P122-2</p>	 <p>90° CORNER POST P322-2</p>	 <p>135° CORNER POST P422-2</p>
 <p>END POST P222-2A</p>	 <p>LINE POST P122-2A</p>	 <p>BLANK POST P322-2A</p>	 <p>STAIR POST P522-2 Apply to 30°-40°</p>



Add: True North Railings Inc.
 Calgary, Alberta, Canada
 Phone: +1-587-620-8477
 E-mail: sales@truenorthrailings.com
 Website: <http://www.TrueNorthRailings.com>

ALUMINUM RAILING SYSTEM 2" SIDE MOUNT POST ASSEMBLY

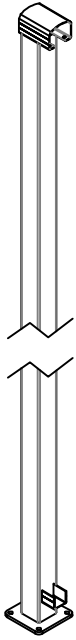
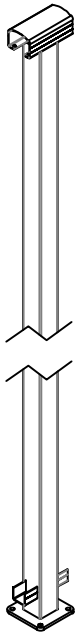
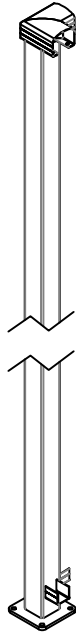
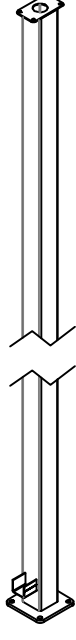
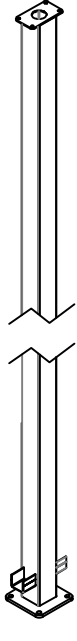

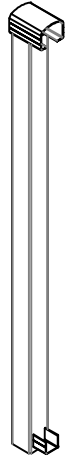
 <p> SIDE MOUNT SLEEVE END POST P7B22-2 </p>	 <p> SIDE MOUNT SLEEVE LINE POST P722-2 </p>	 <p> SIDE MOUNT 90° CORNER POST P7A22-2 </p>	 <p> SIDE MOUNT 135° CORNER POST P7D22-2 </p>
 <p> SIDE MOUNT END POST P7B22-2A </p>	 <p> SIDE MOUNT LINE POST P722-2A </p>	 <p> SIDE MOUNT BLANK POST P7C22-2A </p>	 <p> SIDE MOUNT STAIR POST P7S22-2 Apply to 30°-40° </p>



Add: True North Railings Inc.
 Calgary, Alberta, Canada
 Phone: +1-587-620-8477
 E-mail: sales@truenorthrailings.com
 Website: <http://www.TrueNorthRailings.com>

ALUMINUM RAILING SYSTEM


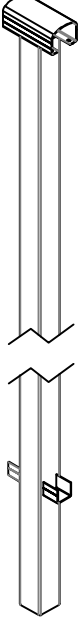

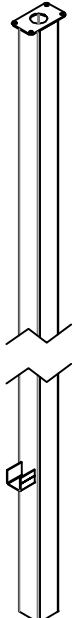
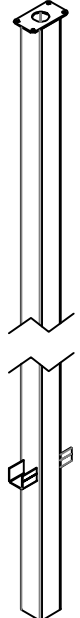
**H72" POST ASSEMBLY
 & OTHER POST**

 <p>72" SLEEVE END POST P223-2</p>	 <p>72" SLEEVE LINE POST P123-2</p>	 <p>72" 90° CORNER POST P323-2</p>	 <p>72" END POST P223-2A</p>
 <p>72" LINE POST P223-2A</p>	 <p>3" BLANK POST P632-2</p>	 <p>GATE POST P7G22-2</p>	



Add: True North Railings Inc.
 Calgary, Alberta, Canada
 Phone: +1-587-620-8477
 E-mail: sales@truenorthrailings.com
 Website: <http://www.TrueNorthRailings.com>

ALUMINUM RAILING SYSTEM H72" SIDE MOUNT POST ASSEMBLY



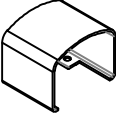
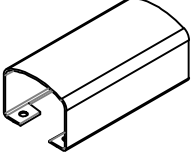
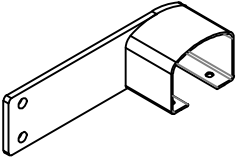
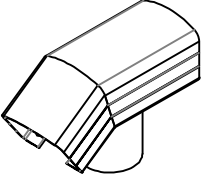
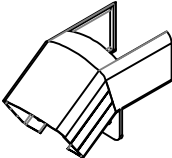
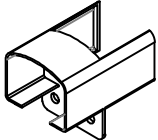
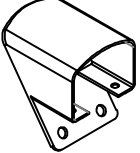
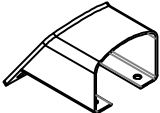


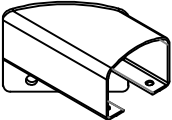
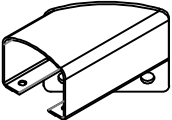
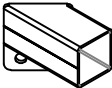
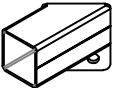
 <p>72" SLEEVE END POST SIDE MOUNT P7B23-2</p>	 <p>72" SLEEVE LINE POST SIDE MOUNT P723-2</p>	 <p>72" 90° CORNER POST SIDE MOUNT P7A23-2</p>	 <p>72" END POST SIDE MOUNT P7B23-2A</p>
 <p>72" LINE POST SIDE MOUNT P723-2A</p>			



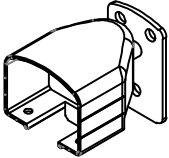
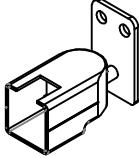
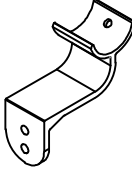
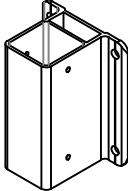
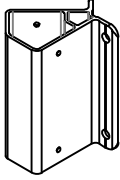
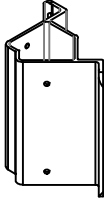
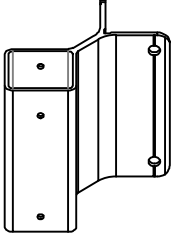
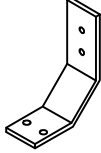

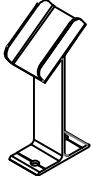

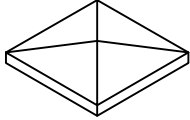
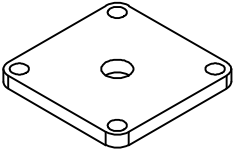



Add: True North Railings Inc.
 Calgary, Alberta, Canada
 Phone: +1-587-620-8477
 E-mail: sales@truenorthrailings.com
 Website: <http://www.TrueNorthRailings.com>

ALUMINUM RAILING SYSTEM

ACCESSORIES

 TOP WALL BRACKET B1-2	 BOTTOM WALL BRACKET B2-2	 SLEEVED END CAP S11-2	 LINE SLEEVE S21-2
 WIND WALL SLEEVE S5-2	 SLEEVED STAIR BRACKET S223-2	 INSERT STAIR BRACKET S222-2	 LINE INSERT BRACKET S221-2
 TOP STAIR BRACKET-TOP B5-2	 TOP STAIR BRACKET -BOTTOM B5-2	 BOTTOM STAIR BRACKET-TOP B6-2	 BOTTOM STAIR BRACKET-BOTTOM B8-2
 45° TOP WALL BRACKET -RIGHT B3-2	 45° TOP WALL BRACKET -LEFT B3-2A	 45° BOTTOM WALL BRACKET -RIGHT B3-3	 45° BOTTOM WALL BRACKET -LEFT B3-3A

ALUMINUM RAILING SYSTEM
ACCESSORIES

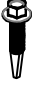



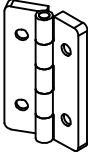
 TOP BALL JOINT BRACKET S111-2	 BOTTOM BALL JOINT BRACKET S112-2	 PIPE HANDRAIL SUPPORT B4-2	 SIDEMOUNT PLATE B9-2
 45° SIDEMOUNT PLATE -OUTSIDE B10-2	 45° SIDEMOUNT PLATE -INSIDE B12-2	 90° SIDEMOUNT PLATE B11-2	 WINDWALL BRACE S10-2
 SUPPORT LEG XA-2	 STAIR SUPPORT LEG XK-2	 PIPE HANDRAIL PLUG XJ-2	 3" POST CAP S71-2
 BASE PLATE PBP21-2	 SCREW 1" LAG M6X25 SC1-1"-2	 SCREW 2" LAG M6X50 SC1-2"-2	 SCREW 3" LAG M6X75 SC1-3"-2



Add: True North Railings Inc.
 Calgary, Alberta, Canada
 Phone: +1-587-620-8477
 E-mail: sales@truenorthrailings.com
 Website: <http://www.TrueNorthRailings.com>

ALUMINUM RAILING SYSTEM

ACCESSORIES

 <p>SCREW 1" TEK M5X25 SC2-1"-2</p>	 <p>SCREW 2" TEK M5X50 SC2-2"-2</p>	 <p>CONCRETE INSERT -WALL M6X60 XCI-2</p>	 <p>CONCRETE INSERT -GRAND M8X60 XCI-2A</p>
 <p>GATE HINGE XH-2</p>	<p>GATE LATCH XI-2</p>		