

# ALUMINUM RAILING SYSTEM



**Proprietary and Confidential**

**The information contained in this drawing is the sole property of True North Railings Inc. Any producing in part or as a whole without the written permission of True North Railings prohibited.**

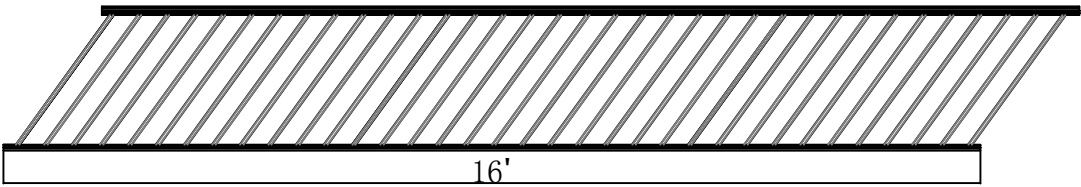
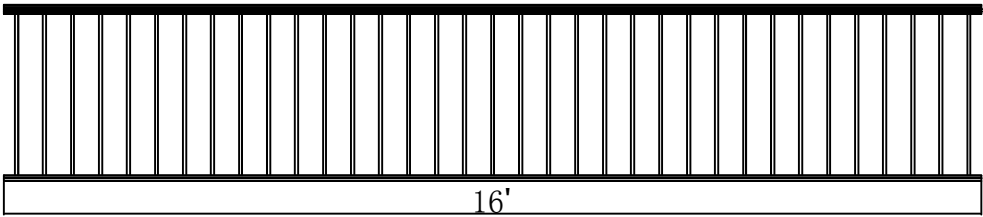


Add: True North Railings Inc.  
Calgary, Alberta, Canada  
Phone: +1-587-620-8477  
E-mail: sales@truenorthrailings.com  
Website: <http://www.TrueNorthRailings.com>

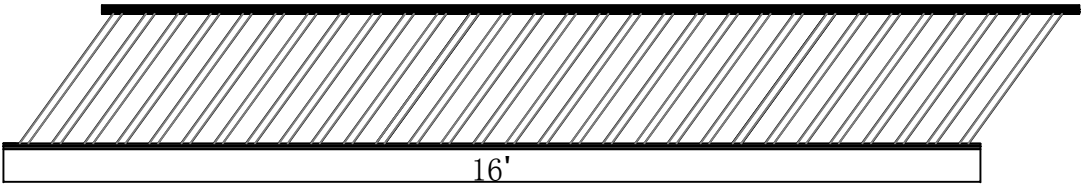
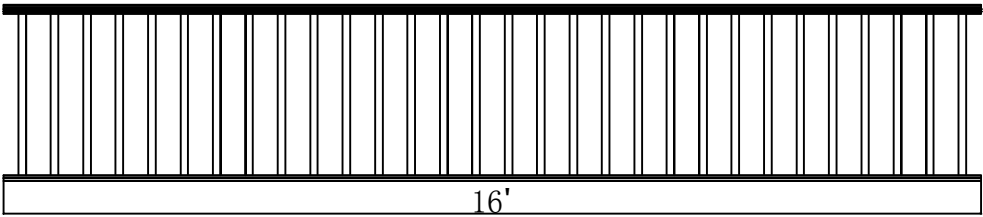
**ALUMINUM RAILING SYSTEM**

**STAIR RAIL**

Stair Railing can adjust to  
0-40 degrees.  
In the 30-40 degree  
adjustment, the spacing of  
the pickets is less than  
100mm.



STAIR RAILING 5/8" PICKET 16' LENGTH  
RCS121-2



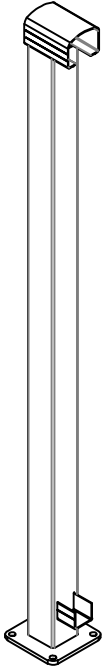
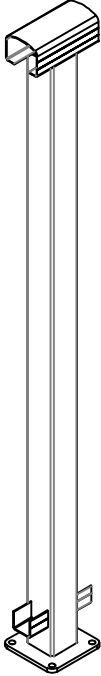
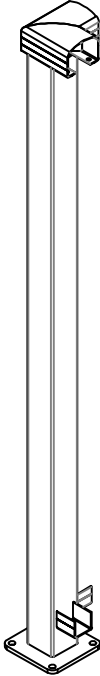
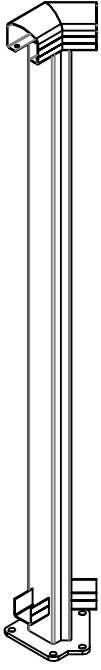
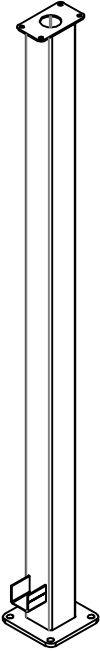
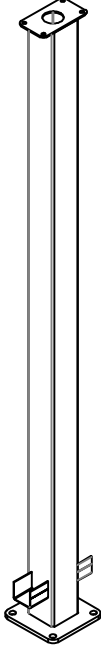
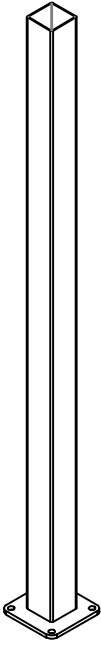
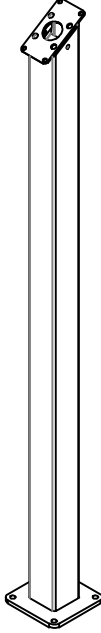
STAIR RAILING 1-1/2" PICKET 16'  
LENGTH  
RCS221-2



Add: True North Railings Inc.  
 Calgary, Alberta, Canada  
 Phone: +1-587-620-8477  
 E-mail: sales@truenorthrailings.com  
 Website: <http://www.TrueNorthRailings.com>

**ALUMINUM RAILING SYSTEM**

**2" POST ASSEMBLY**


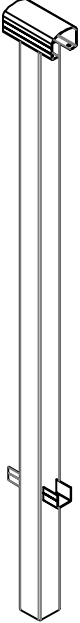
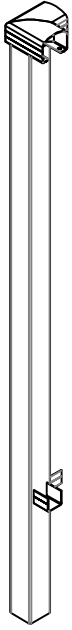
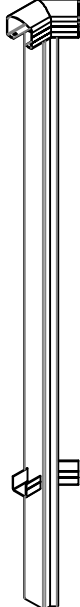

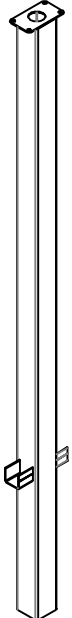


 <p>SLEEVE END POST P222-2</p>	 <p>SLEEVE LINE POST P122-2</p>	 <p>90° CORNER POST P322-2</p>	 <p>135° CORNER POST P422-2</p>
 <p>END POST P222-2A</p>	 <p>LINE POST P122-2A</p>	 <p>BLANK POST P322-2A</p>	 <p>STAIR POST P522-2 Apply to 30°-40°</p>



Add: True North Railings Inc.  
 Calgary, Alberta, Canada  
 Phone: +1-587-620-8477  
 E-mail: sales@truenorthrailings.com  
 Website: <http://www.TrueNorthRailings.com>

**ALUMINUM RAILING SYSTEM**

**2" SIDE MOUNT POST ASSEMBLY**



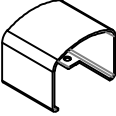
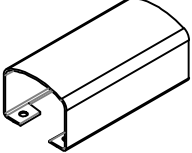
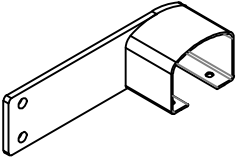
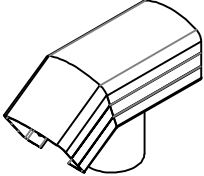
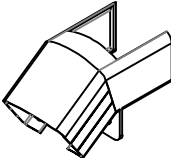
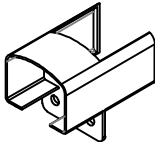
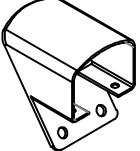
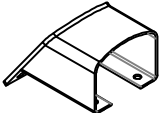


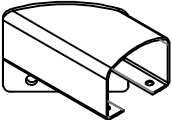
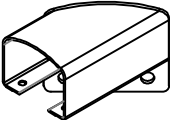
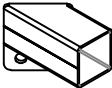
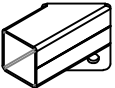
 <p>             SIDE MOUNT              SLEEVE END POST  <b>P7B22-2</b> </p>	 <p>             SIDE MOUNT              SLEEVE LINE POST  <b>P722-2</b> </p>	 <p>             SIDE MOUNT              90° CORNER POST  <b>P7A22-2</b> </p>	 <p>             SIDE MOUNT              135° CORNER POST  <b>P7D22-2</b> </p>
 <p>             SIDE MOUNT              END POST  <b>P7B22-2A</b> </p>	 <p>             SIDE MOUNT              LINE POST  <b>P722-2A</b> </p>	 <p>             SIDE MOUNT              BLANK POST  <b>P7C22-2A</b> </p>	 <p>             SIDE MOUNT              STAIR POST  <b>P7S22-2</b>              Apply to 30°-40°         </p>



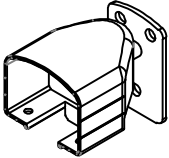
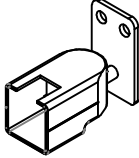
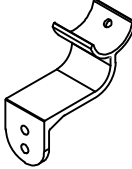
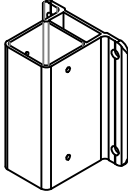
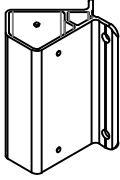
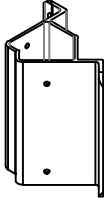
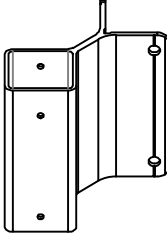
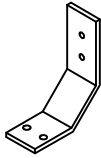

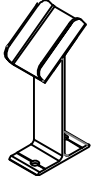

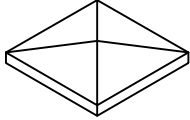
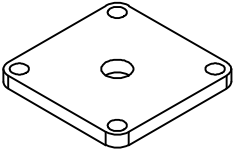



Add: True North Railings Inc.  
 Calgary, Alberta, Canada  
 Phone: +1-587-620-8477  
 E-mail: sales@truenorthrailings.com  
 Website: <http://www.TrueNorthRailings.com>

## ALUMINUM RAILING SYSTEM

## ACCESSORIES

 <p>TOP WALL BRACKET B1-2</p>	 <p>BOTTOM WALL BRACKET B2-2</p>	 <p>SLEEVED END CAP S11-2</p>	 <p>LINE SLEEVE S21-2</p>
 <p>WIND WALL SLEEVE S5-2</p>	 <p>SLEEVED STAIR BRACKET S223-2</p>	 <p>INSERT STAIR BRACKET S222-2</p>	 <p>LINE INSERT BRACKET S221-2</p>
 <p>TOP STAIR BRACKET-TOP B5-2</p>	 <p>TOP STAIR BRACKET-BOTTOM B5-2</p>	 <p>BOTTOM STAIR BRACKET-TOP B6-2</p>	 <p>BOTTOM STAIR BRACKET-BOTTOM B8-2</p>
 <p>45° TOP WALL BRACKET-RIGHT B3-2</p>	 <p>45° TOP WALL BRACKET-LEFT B3-2A</p>	 <p>45° BOTTOM WALL BRACKET-RIGHT B3-3</p>	 <p>45° BOTTOM WALL BRACKET-LEFT B3-3A</p>

**ALUMINUM RAILING SYSTEM**
**ACCESSORIES**

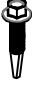



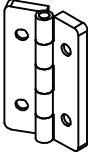
 <p>TOP BALL JOINT BRACKET S111-2</p>	 <p>BOTTOM BALL JOINT BRACKET S112-2</p>	 <p>PIPE HANDRAIL SUPPORT B4-2</p>	 <p>SIDEMOUNT PLATE B9-2</p>
 <p>45° SIDEMOUNT PLATE -OUTSIDE B10-2</p>	 <p>45° SIDEMOUNT PLATE -INSIDE B12-2</p>	 <p>90° SIDEMOUNT PLATE B11-2</p>	 <p>WINDWALL BRACE S10-2</p>
 <p>SUPPORT LEG XA-2</p>	 <p>STAIR SUPPORT LEG XK-2</p>	 <p>PIPE HANDRAIL PLUG XJ-2</p>	 <p>3" POST CAP S71-2</p>
 <p>BASE PLATE PBP21-2</p>	 <p>SCREW 1" LAG M6X25 SC1-1"-2</p>	 <p>SCREW 2" LAG M6X50 SC1-2"-2</p>	 <p>SCREW 3" LAG M6X75 SC1-3"-2</p>



Add: True North Railings Inc.  
 Calgary, Alberta, Canada  
 Phone: +1-587-620-8477  
 E-mail: sales@truenorthrailings.com  
 Website: <http://www.TrueNorthRailings.com>

**ALUMINUM RAILING SYSTEM**

**ACCESSORIES**

 <p>SCREW 1" TEK M5X25 SC2-1"-2</p>	 <p>SCREW 2" TEK M5X50 SC2-2"-2</p>	 <p>CONCRETE INSERT -WALL M6X60 XCI-2</p>	 <p>CONCRETE INSERT -GRAND M8X60 XCI-2A</p>
 <p>GATE HINGE XH-2</p>	<p>GATE LATCH XI-2</p>		



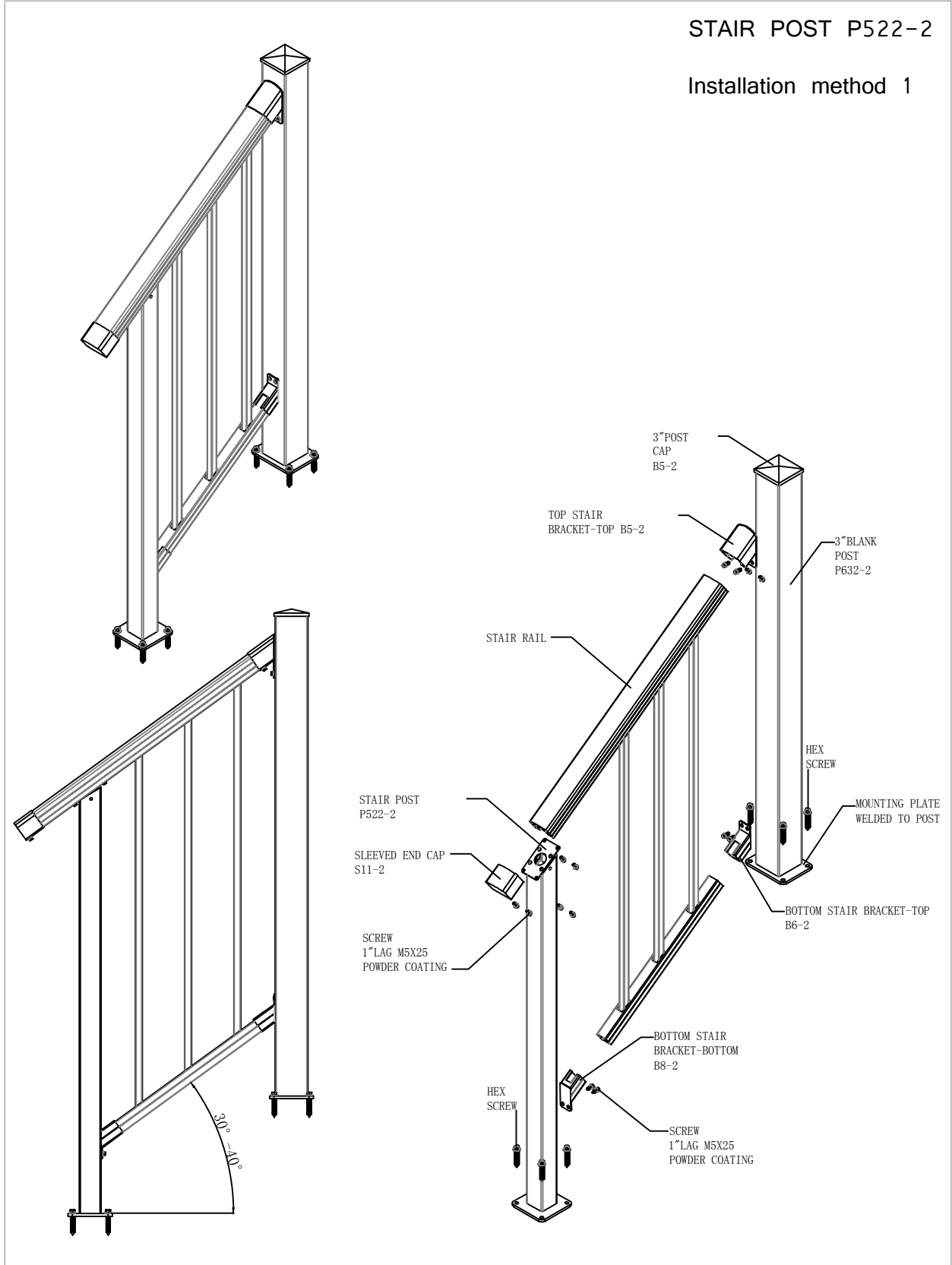
Add: True North Railings Inc.  
 Calgary, Alberta, Canada  
 Phone: +1-587-620-8477  
 E-mail: sales@truenorthrailings.com  
 Website: http://www.TrueNorthRailings.com

**ALUMINUM RAILING SYSTEM**

**PRODUCT APPLICATION**

**STAIR POST P522-2**

**Installation method 1**







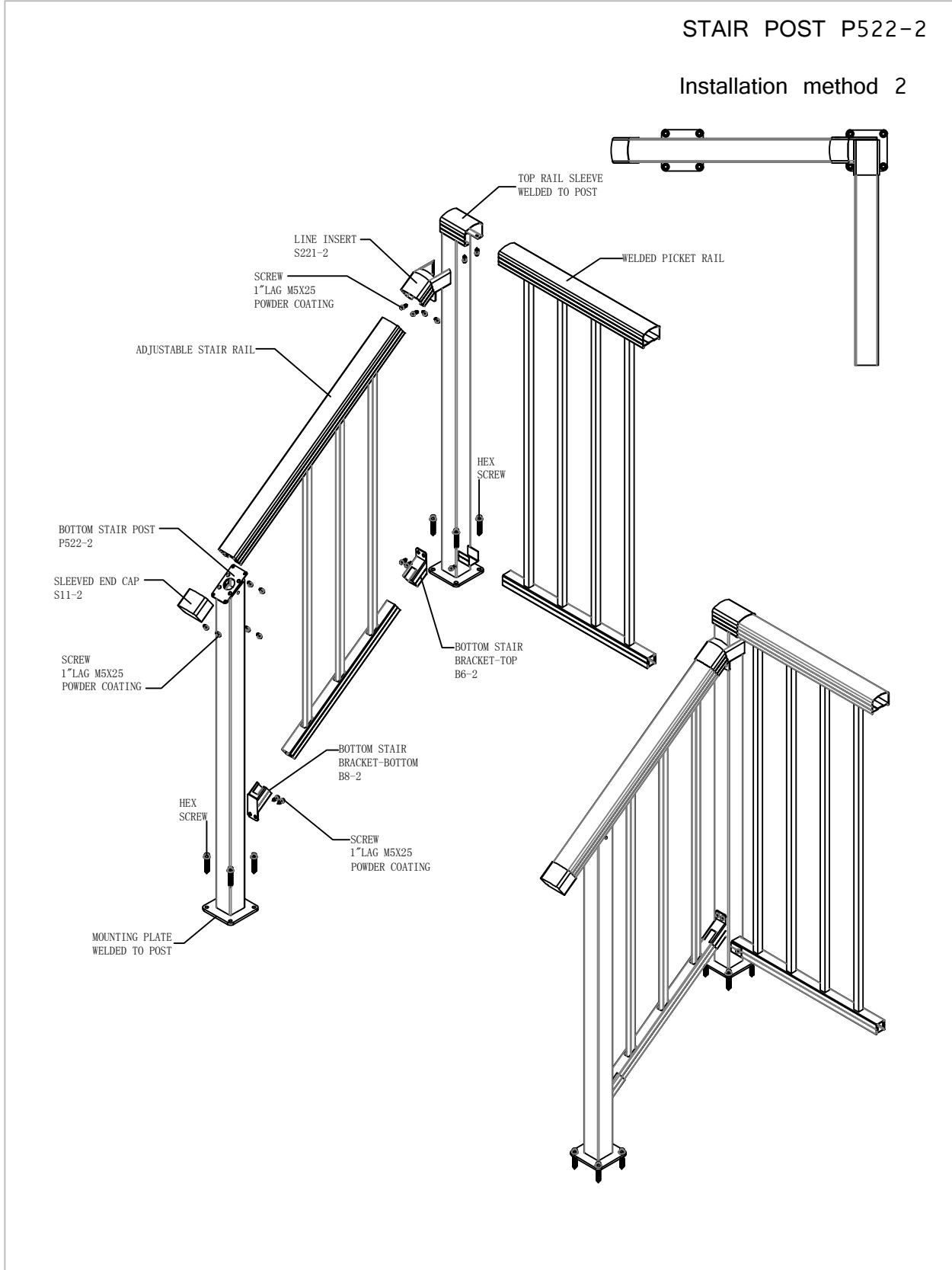
Add: True North Railings Inc.  
 Calgary, Alberta, Canada  
 Phone: +1-587-620-8477  
 E-mail: sales@truenorthrailings.com  
 Website: <http://www.TrueNorthRailings.com>

# ALUMINUM RAILING SYSTEM

## PRODUCT APPLICATION

### STAIR POST P522-2

#### Installation method 2





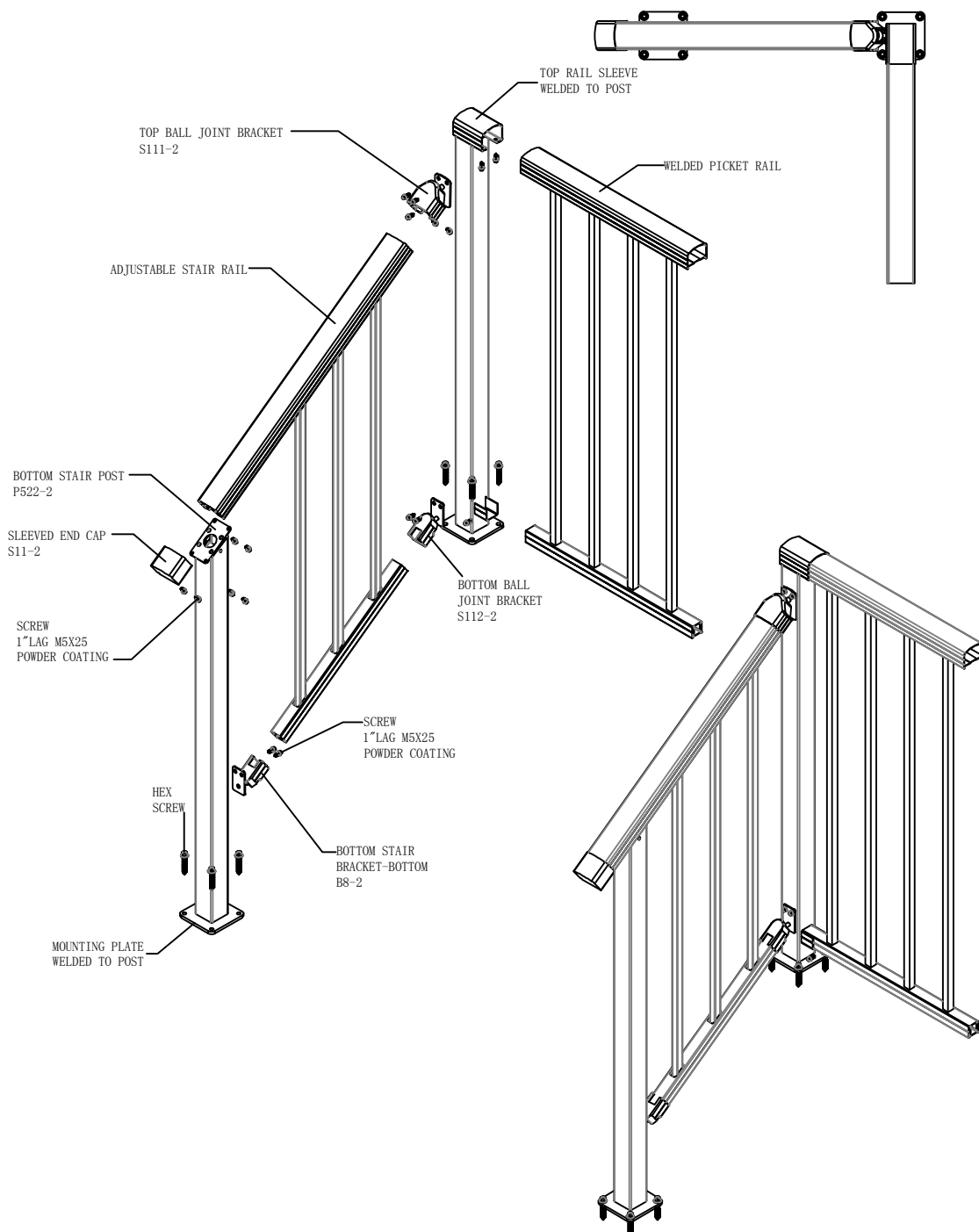
Add: True North Railings Inc.  
Calgary, Alberta, Canada  
Phone: +1-587-620-8477  
E-mail: sales@truenorthrailings.com  
Website: <http://www.TrueNorthRailings.com>

# ALUMINUM RAILING SYSTEM

## PRODUCT APPLICATION

STAIR POST P522-2

Installation method 3





Add: True North Railings Inc.  
Calgary, Alberta, Canada  
Phone: +1-587-620-8477  
E-mail: sales@truenorthrailings.com  
Website: <http://www.TrueNorthRailings.com>

ALUMINUM RAILING SYSTEM

PRODUCT APPLICATION

STAIR POST P522-2

