

# ALUMINUM RAILING SYSTEM



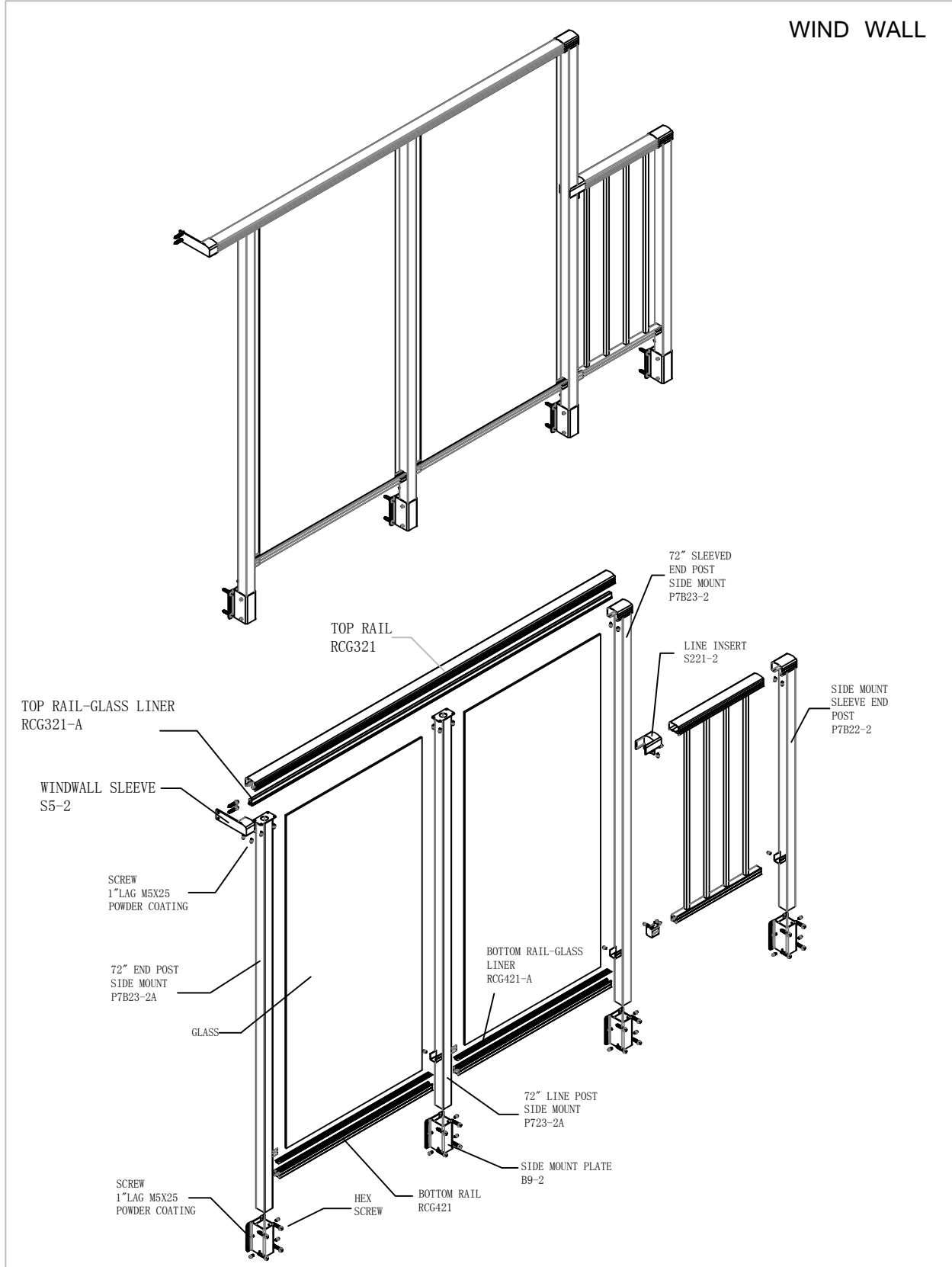
**Proprietary and Confidential**

**The information contained in this drawing is the sole property of True North Railings Inc. Any producing in part or as a whole without the written permission of True North Railings prohibited.**

**ALUMINUM RAILING SYSTEM**

**PRODUCT APPLICATION**

**WIND WALL**

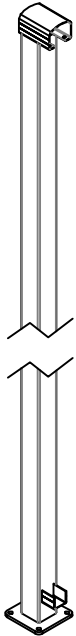
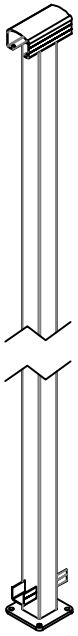
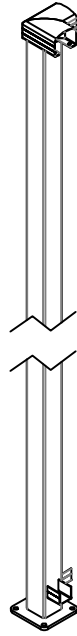
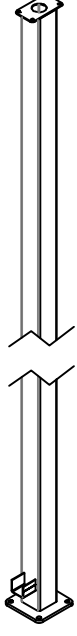
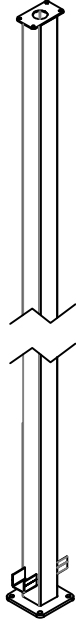

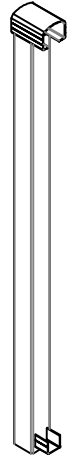




Add: True North Railings Inc.  
 Calgary, Alberta, Canada  
 Phone: +1-587-620-8477  
 E-mail: sales@truenorthrailings.com  
 Website: <http://www.TrueNorthRailings.com>

**ALUMINUM RAILING SYSTEM**


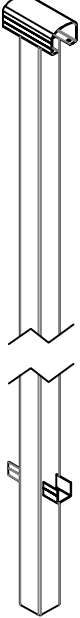

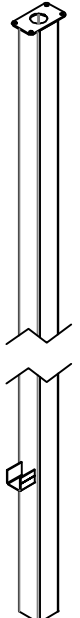
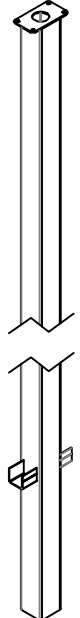
**H72" POST ASSEMBLY  
 & OTHER POST**

 <p>72" SLEEVE END POST P223-2</p>	 <p>72" SLEEVE LINE POST P123-2</p>	 <p>72" 90° CORNER POST P323-2</p>	 <p>72" END POST P223-2A</p>
 <p>72" LINE POST P223-2A</p>	 <p>3" BLANK POST P632-2</p>	 <p>GATE POST P7G22-2</p>	



Add: True North Railings Inc.  
 Calgary, Alberta, Canada  
 Phone: +1-587-620-8477  
 E-mail: sales@truenorthrailings.com  
 Website: <http://www.TrueNorthRailings.com>

**ALUMINUM RAILING SYSTEM H72" SIDE MOUNT POST ASSEMBLY**



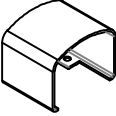
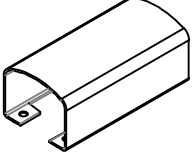
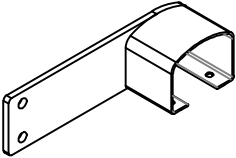
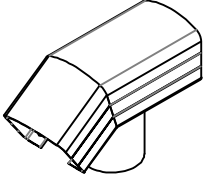
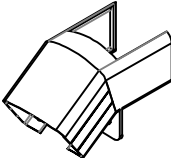
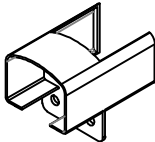
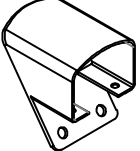
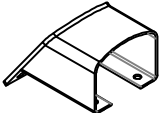

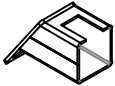
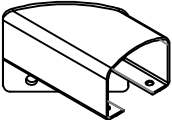
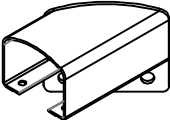
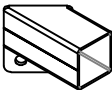
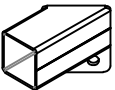
 <p>72" SLEEVE END POST SIDE MOUNT P7B23-2</p>	 <p>72" SLEEVE LINE POST SIDE MOUNT P723-2</p>	 <p>72" 90° CORNER POST SIDE MOUNT P7A23-2</p>	 <p>72" END POST SIDE MOUNT P7B23-2A</p>
 <p>72" LINE POST SIDE MOUNT P723-2A</p>			



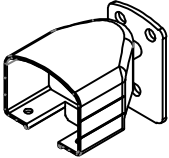
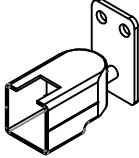
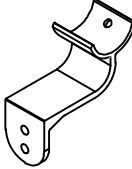
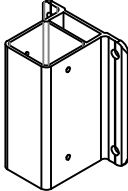
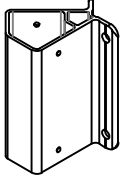
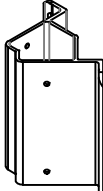
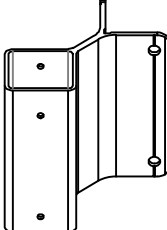
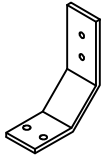

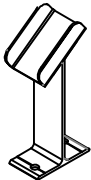

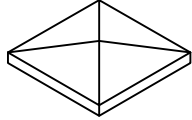
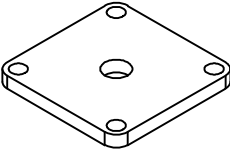



Add: True North Railings Inc.  
 Calgary, Alberta, Canada  
 Phone: +1-587-620-8477  
 E-mail: sales@truenorthrailings.com  
 Website: <http://www.TrueNorthRailings.com>

**ALUMINUM RAILING SYSTEM**

**ACCESSORIES**

 <p>TOP WALL BRACKET B1-2</p>	 <p>BOTTOM WALL BRACKET B2-2</p>	 <p>SLEEVED END CAP S11-2</p>	 <p>LINE SLEEVE S21-2</p>
 <p>WIND WALL SLEEVE S5-2</p>	 <p>SLEEVED STAIR BRACKET S223-2</p>	 <p>INSERT STAIR BRACKET S222-2</p>	 <p>LINE INSERT BRACKET S221-2</p>
 <p>TOP STAIR BRACKET-TOP B5-2</p>	 <p>TOP STAIR BRACKET-BOTTOM B5-2</p>	 <p>BOTTOM STAIR BRACKET-TOP B6-2</p>	 <p>BOTTOM STAIR BRACKET-BOTTOM B8-2</p>
 <p>45° TOP WALL BRACKET-RIGHT B3-2</p>	 <p>45° TOP WALL BRACKET-LEFT B3-2A</p>	 <p>45° BOTTOM WALL BRACKET-RIGHT B3-3</p>	 <p>45° BOTTOM WALL BRACKET-LEFT B3-3A</p>

**ALUMINUM RAILING SYSTEM**
**ACCESSORIES**

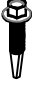



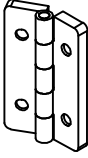
 <p>TOP BALL JOINT BRACKET S111-2</p>	 <p>BOTTOM BALL JOINT BRACKET S112-2</p>	 <p>PIPE HANDRAIL SUPPORT B4-2</p>	 <p>SIDEMOUNT PLATE B9-2</p>
 <p>45° SIDEMOUNT PLATE -OUTSIDE B10-2</p>	 <p>45° SIDEMOUNT PLATE -INSIDE B12-2</p>	 <p>90° SIDEMOUNT PLATE B11-2</p>	 <p>WINDWALL BRACE S10-2</p>
 <p>SUPPORT LEG XA-2</p>	 <p>STAIR SUPPORT LEG XK-2</p>	 <p>PIPE HANDRAIL PLUG XJ-2</p>	 <p>3" POST CAP S71-2</p>
 <p>BASE PLATE PBP21-2</p>	 <p>SCREW 1" LAG M6X25 SC1-1"-2</p>	 <p>SCREW 2" LAG M6X50 SC1-2"-2</p>	 <p>SCREW 3" LAG M6X75 SC1-3"-2</p>



Add: True North Railings Inc.  
 Calgary, Alberta, Canada  
 Phone: +1-587-620-8477  
 E-mail: sales@truenorthrailings.com  
 Website: <http://www.TrueNorthRailings.com>

**ALUMINUM RAILING SYSTEM**

**ACCESSORIES**

 <p>SCREW 1" TEK M5X25 SC2-1"-2</p>	 <p>SCREW 2" TEK M5X50 SC2-2"-2</p>	 <p>CONCRETE INSERT -WALL M6X60 XCI-2</p>	 <p>CONCRETE INSERT -GRAND M8X60 XCI-2A</p>
 <p>GATE HINGE XH-2</p>	<p>GATE LATCH XI-2</p>		

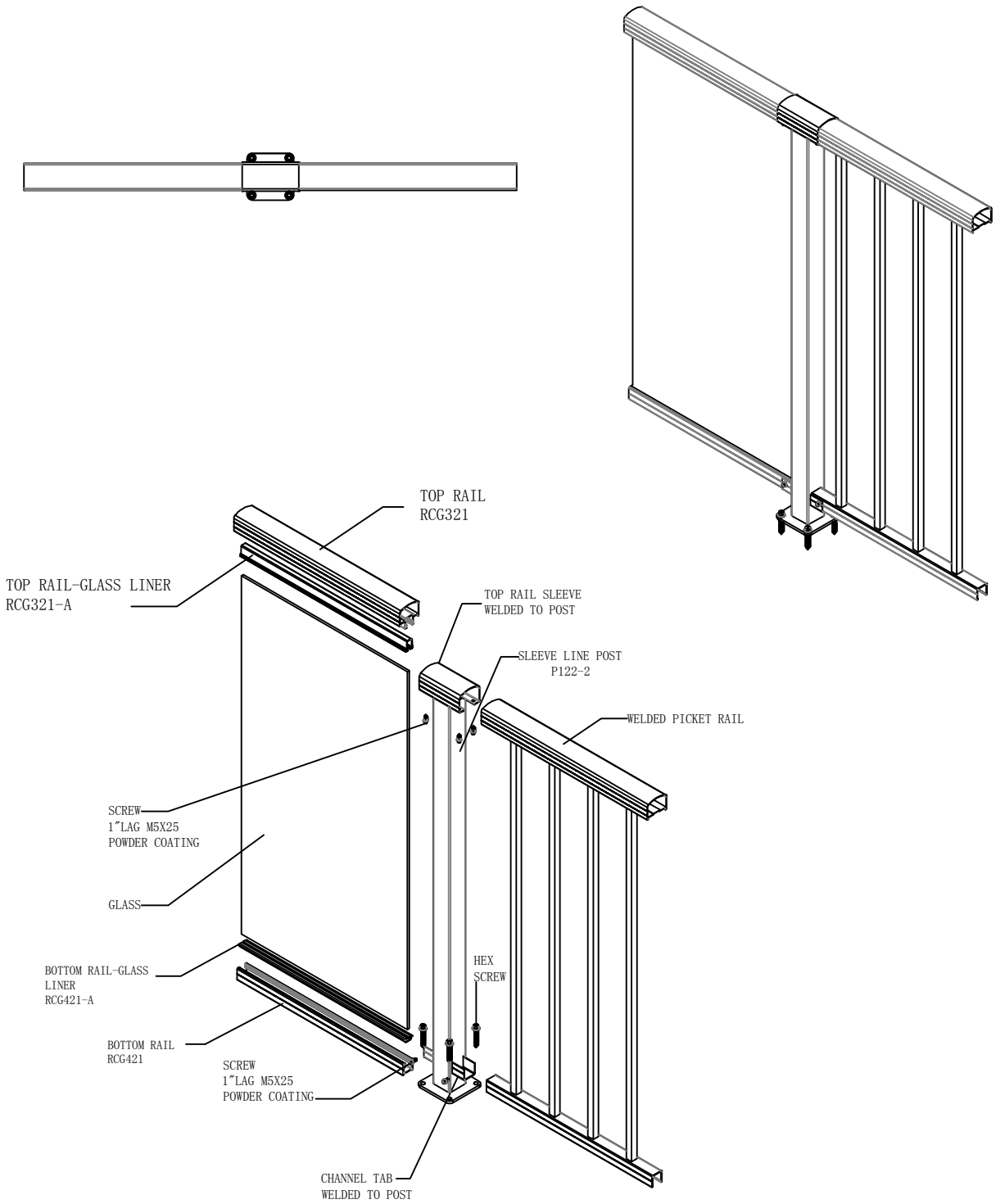


Add: True North Railings Inc.  
Calgary, Alberta, Canada  
Phone: +1-587-620-8477  
E-mail: sales@truenorthrailings.com  
Website: <http://www.TrueNorthRailings.com>

# ALUMINUM RAILING SYSTEM

## PRODUCT APPLICATION

### SLEEVE LINE POST P122-2





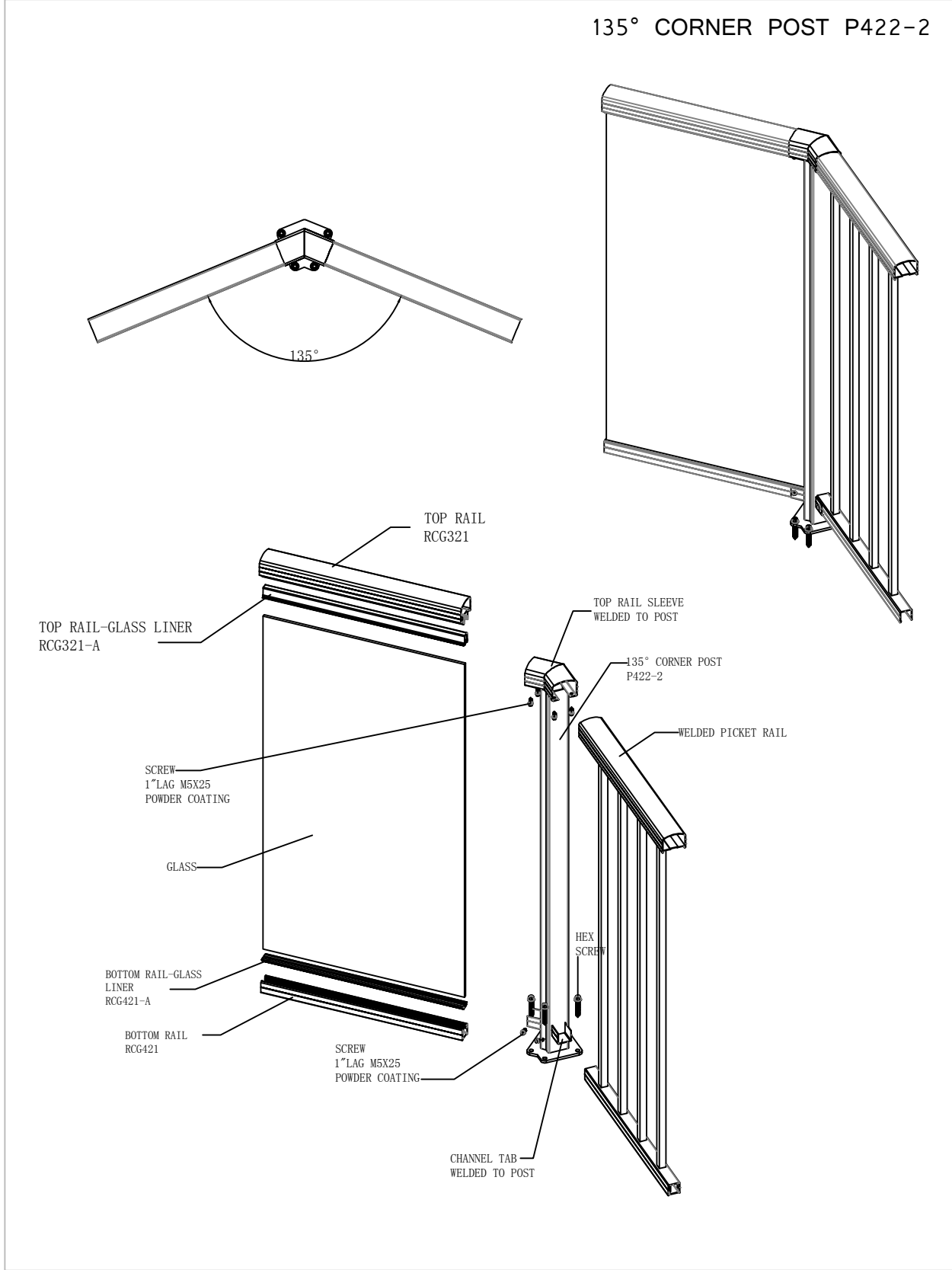


Add: True North Railings Inc.  
Calgary, Alberta, Canada  
Phone: +1-587-620-8477  
E-mail: sales@truenorthrailings.com  
Website: <http://www.TrueNorthRailings.com>

ALUMINUM RAILING SYSTEM

PRODUCT APPLICATION

135° CORNER POST P422-2



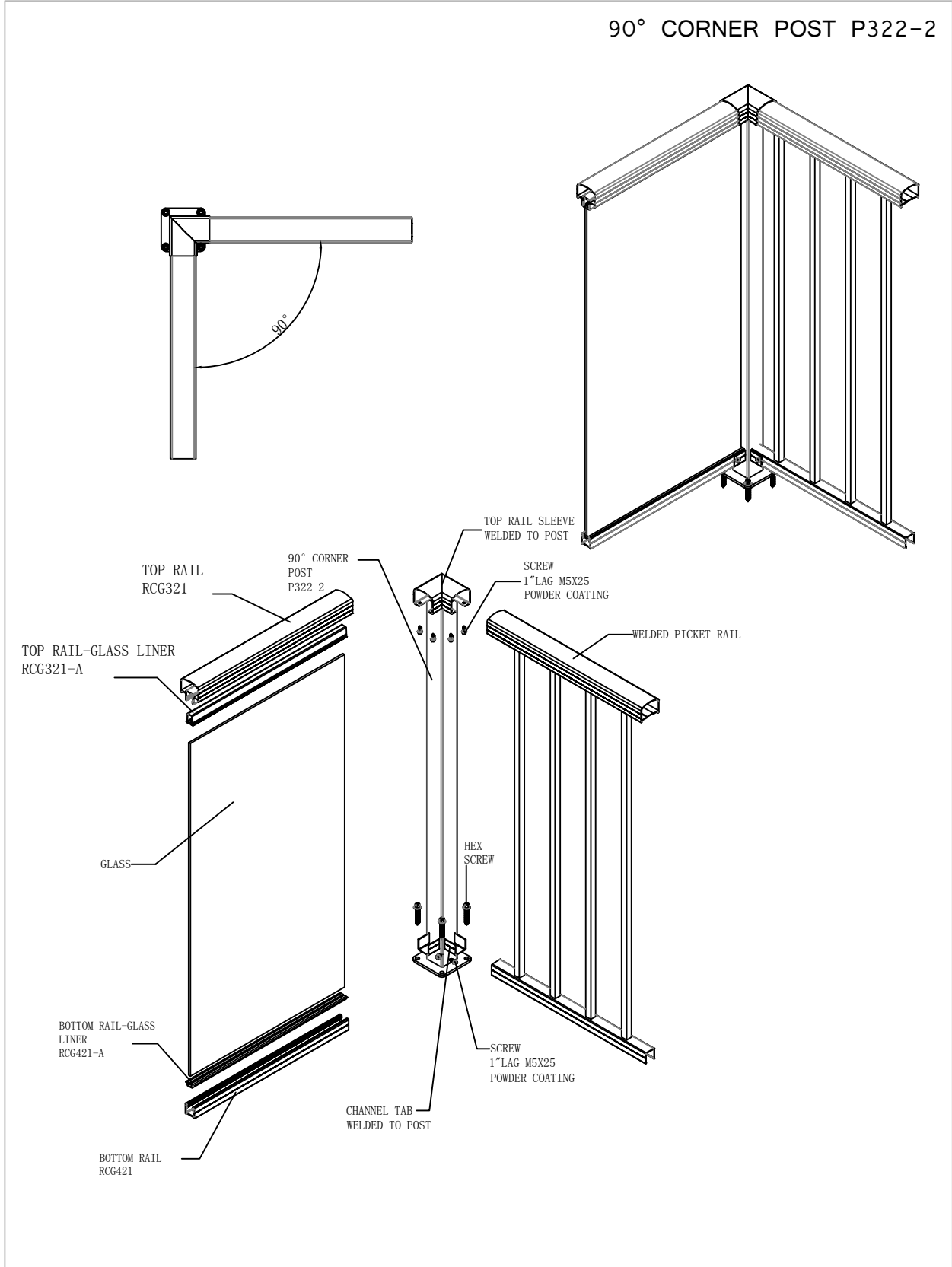


Add: True North Railings Inc.  
Calgary, Alberta, Canada  
Phone: +1-587-620-8477  
E-mail: sales@truenorthrailings.com  
Website: <http://www.TrueNorthRailings.com>

# ALUMINUM RAILING SYSTEM

## PRODUCT APPLICATION

### 90° CORNER POST P322-2



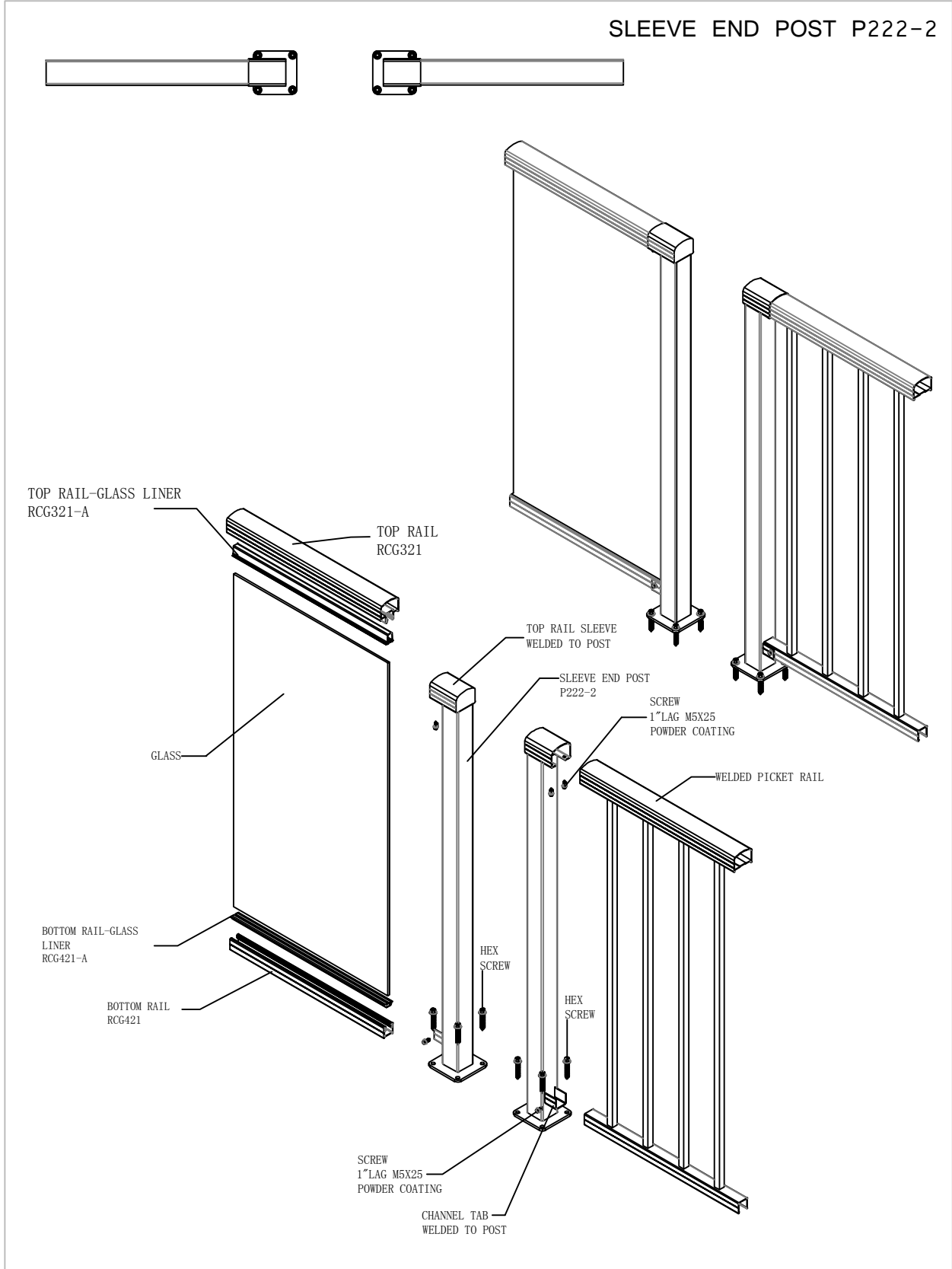


Add: True North Railings Inc.  
 Calgary, Alberta, Canada  
 Phone: +1-587-620-8477  
 E-mail: sales@truenorthrailings.com  
 Website: http://www.TrueNorthRailings.com

**ALUMINUM RAILING SYSTEM**

**PRODUCT APPLICATION**

**SLEEVE END POST P222-2**



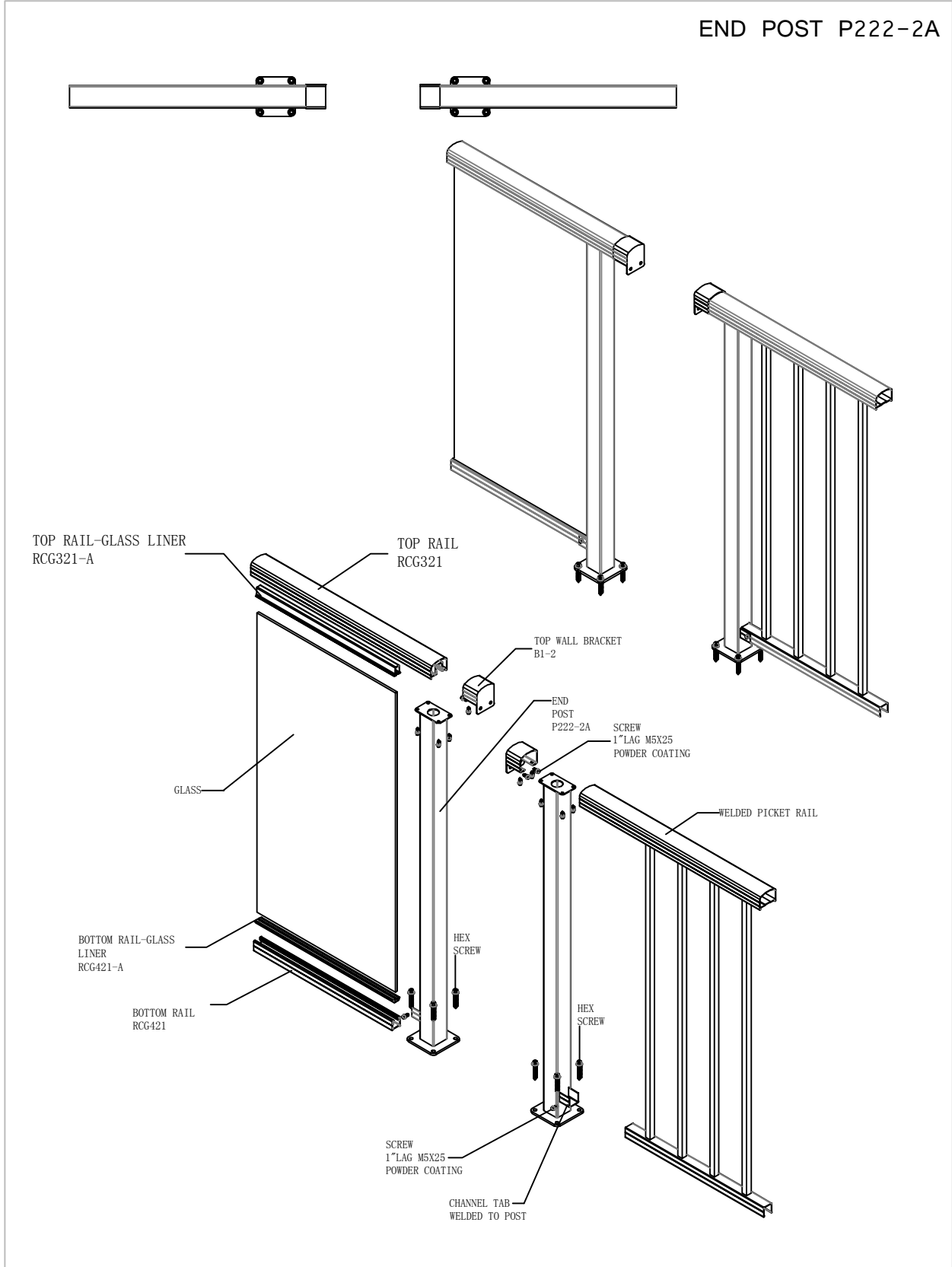


Add: True North Railings Inc.  
Calgary, Alberta, Canada  
Phone: +1-587-620-8477  
E-mail: sales@truenorthrailings.com  
Website: <http://www.TrueNorthRailings.com>

# ALUMINUM RAILING SYSTEM

## PRODUCT APPLICATION

### END POST P222-2A





Add: True North Railings Inc.  
 Calgary, Alberta, Canada  
 Phone: +1-587-620-8477  
 E-mail: sales@truenorthrailings.com  
 Website: <http://www.TrueNorthRailings.com>

**ALUMINUM RAILING SYSTEM**

**PRODUCT APPLICATION**

**LINE POST P122-2A**

