



**True North
Railings**

True North Strong and "Almost" Free

ALUMINUM RAILING SYSTEMS



Proprietary and Confidential

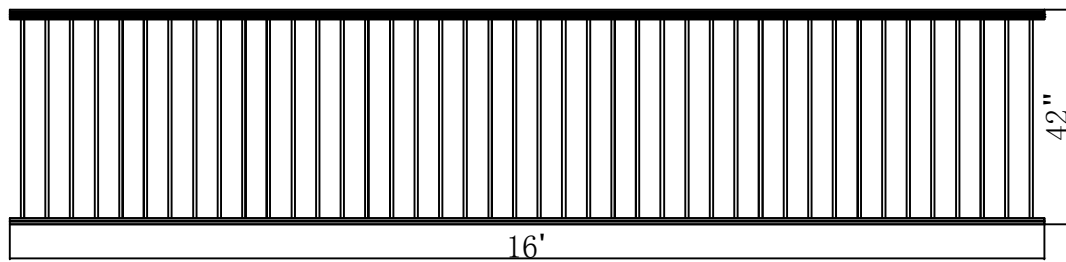
The information contained in this drawing is the sole property of True North Railings Inc. Any producing in part or as a whole without the written permission of True North Railings prohibited.



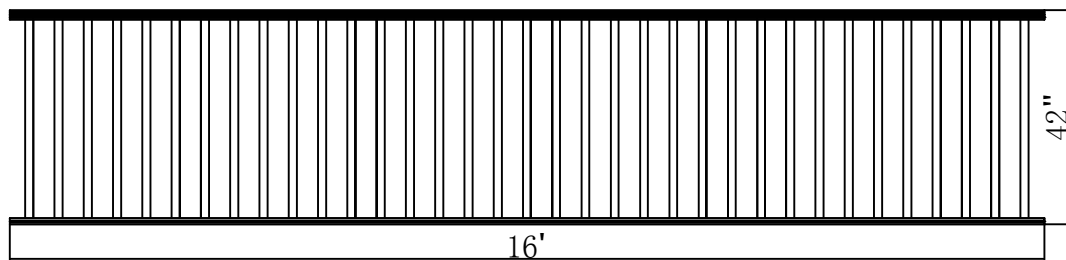
Add: True North Railings Inc.
Calgary, Alberta, Canada
Phone: +1-587-620-8477
E-mail: sales@truenorthrailings.com
Website: <http://www.TrueNorthRailings.com>

ALUMINUM RAILING SYSTEM

WELDED RAIL



WELDED 5/8" PICKET RAIL 16' LENGTH
RCP121-2



WELDED 1-1/2" PICKET RAIL 16' LENGTH
RCP221-2



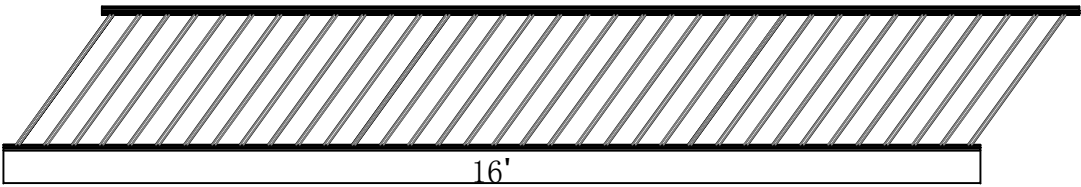
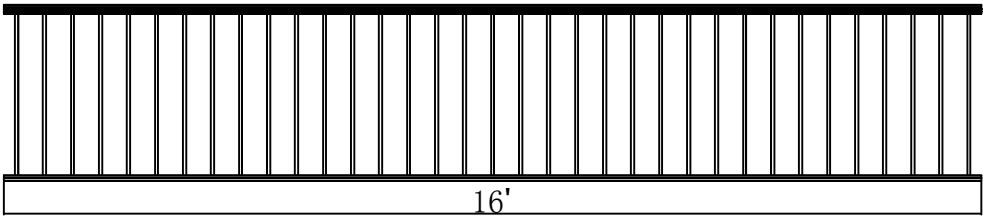


Add: True North Railings Inc.
Calgary, Alberta, Canada
Phone: +1-587-620-8477
E-mail: sales@truenorthrailings.com
Website: <http://www.TrueNorthRailings.com>

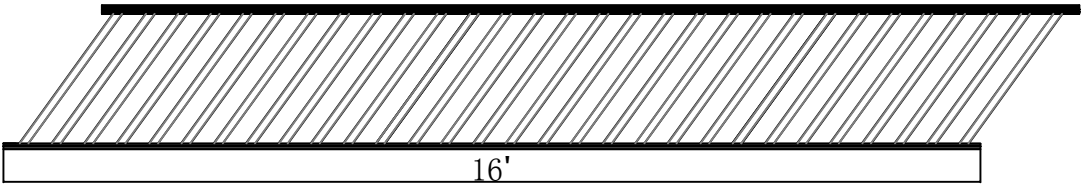
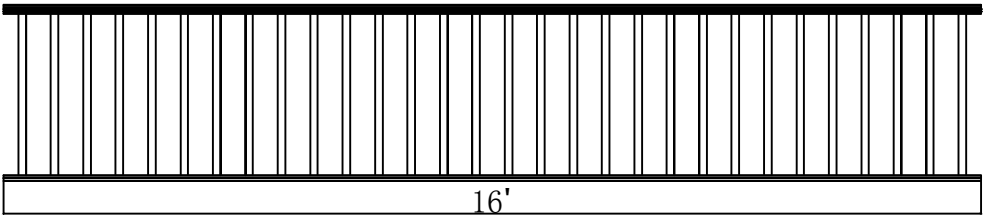
ALUMINUM RAILING SYSTEM

STAIR RAIL

Stair Railing can adjust to 0-40 degrees.
In the 30-40 degree adjustment, the spacing of the pickets is less than 100mm.



STAIR RAILING 5/8" PICKET 16' LENGTH
RCS121-2



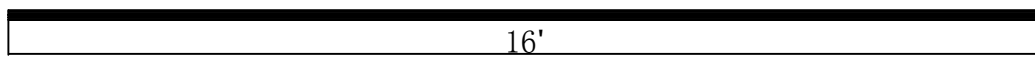
STAIR RAILING 1-1/2" PICKET 16'
LENGTH
RCS221-2



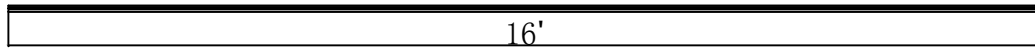
Add: True North Railings Inc.
Calgary, Alberta, Canada
Phone: +1-587-620-8477
E-mail: sales@truenorthrailings.com
Website: <http://www.TrueNorthRailings.com>

ALUMINUM RAILING SYSTEM

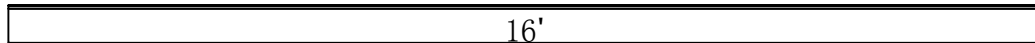
PICKET & GLASS RAIL ACCESSORIES



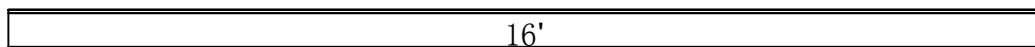
TOP RAIL 16' LENGTH
RCG321-16



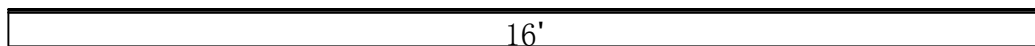
BOTTOM RAIL 16' LENGTH
RCG421-16



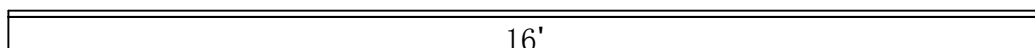
TOP RAIL-GLOSS LINER 16' LENGTH
RCG321-16A



BOTTOM RAIL-GLOSS LINER 16' LENGTH
RCG421-16A



TOP/BOTTOM RAIL-PICKET LINER 16' LENGTH
RCG521-16A



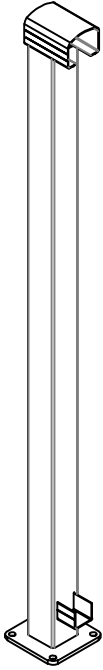
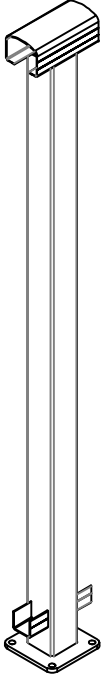
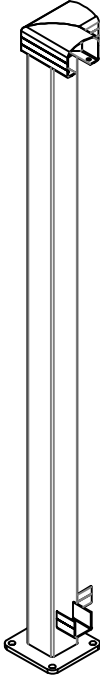
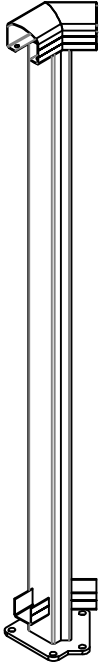
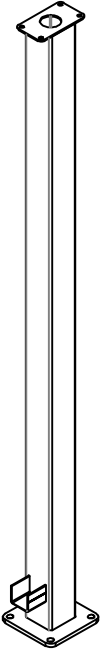
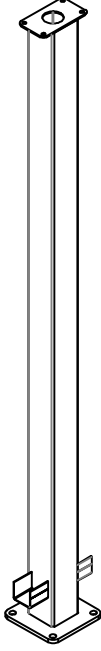
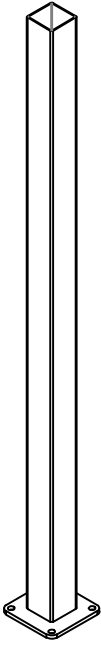
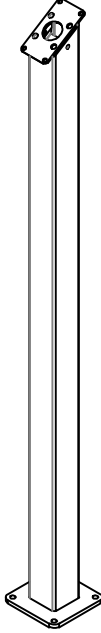
PIPE HANDRAIL 16' LENGTH
RCH222-2



Add: True North Railings Inc.
 Calgary, Alberta, Canada
 Phone: +1-587-620-8477
 E-mail: sales@truenorthrailings.com
 Website: <http://www.TrueNorthRailings.com>

ALUMINUM RAILING SYSTEM


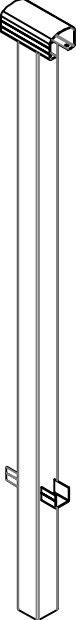
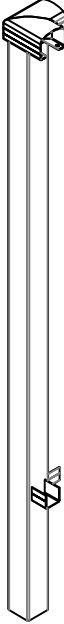
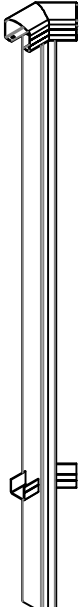

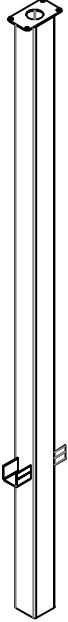


2" POST ASSEMBLY

 <p>SLEEVE END POST P222-2</p>	 <p>SLEEVE LINE POST P122-2</p>	 <p>90° CORNER POST P322-2</p>	 <p>135° CORNER POST P422-2</p>
 <p>END POST P222-2A</p>	 <p>LINE POST P122-2A</p>	 <p>BLANK POST P322-2A</p>	 <p>STAIR POST P522-2 Apply to 30°-40°</p>



Add: True North Railings Inc.
 Calgary, Alberta, Canada
 Phone: +1-587-620-8477
 E-mail: sales@truenorthrailings.com
 Website: <http://www.TrueNorthRailings.com>

ALUMINUM RAILING SYSTEM 2" SIDE MOUNT POST ASSEMBLY

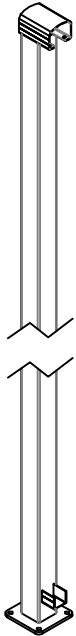
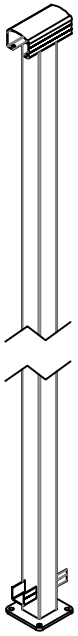
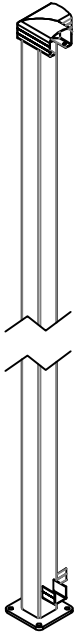
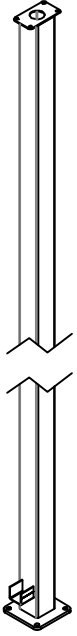
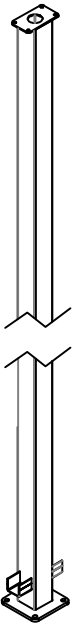
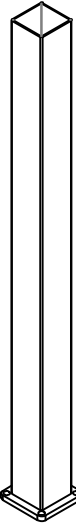
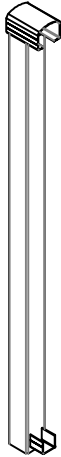
 <p> SIDE MOUNT SLEEVE END POST P7B22-2 </p>	 <p> SIDE MOUNT SLEEVE LINE POST P722-2 </p>	 <p> SIDE MOUNT 90° CORNER POST P7A22-2 </p>	 <p> SIDE MOUNT 135° CORNER POST P7D22-2 </p>
 <p> SIDE MOUNT END POST P7B22-2A </p>	 <p> SIDE MOUNT LINE POST P722-2A </p>	 <p> SIDE MOUNT BLANK POST P7C22-2A </p>	 <p> SIDE MOUNT STAIR POST P7S22-2 Apply to 30°-40° </p>



Add: True North Railings Inc.
 Calgary, Alberta, Canada
 Phone: +1-587-620-8477
 E-mail: sales@truenorthrailings.com
 Website: <http://www.TrueNorthRailings.com>

ALUMINUM RAILING SYSTEM


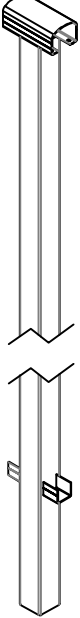

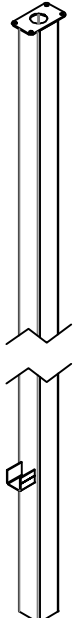
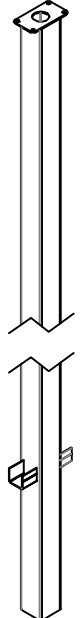
**H72" POST ASSEMBLY
 & OTHER POST**

 <p>72" SLEEVE END POST P223-2</p>	 <p>72" SLEEVE LINE POST P123-2</p>	 <p>72" 90° CORNER POST P323-2</p>	 <p>72" END POST P223-2A</p>
 <p>72" LINE POST P223-2A</p>		 <p>3" BLANK POST P632-2</p>	 <p>GATE POST P7G22-2</p>



Add: True North Railings Inc.
 Calgary, Alberta, Canada
 Phone: +1-587-620-8477
 E-mail: sales@truenorthrailings.com
 Website: <http://www.TrueNorthRailings.com>

ALUMINUM RAILING SYSTEM H72" SIDE MOUNT POST ASSEMBLY

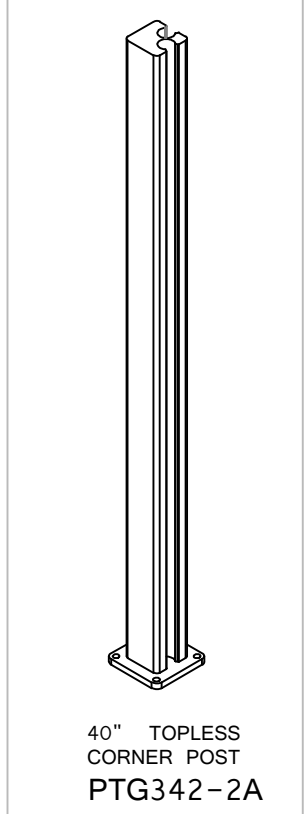
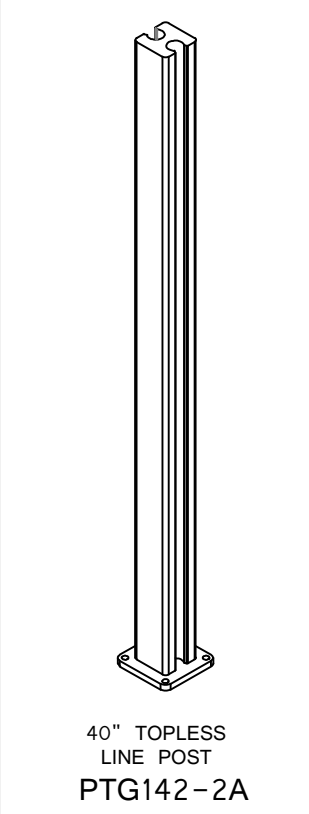
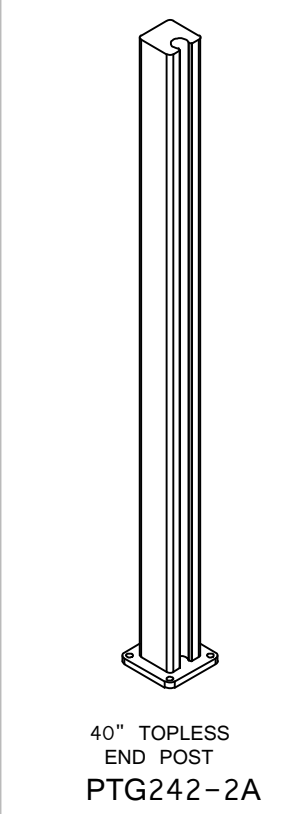
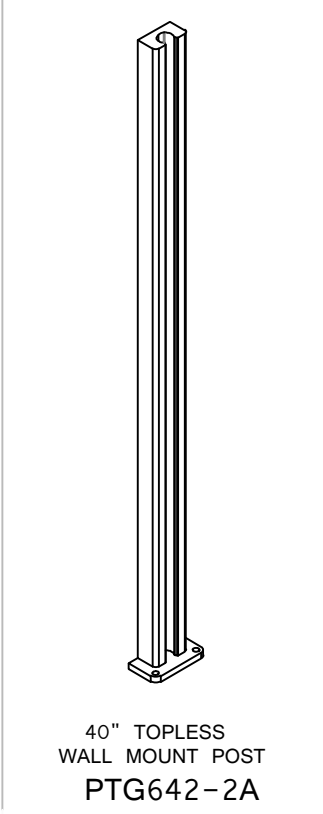
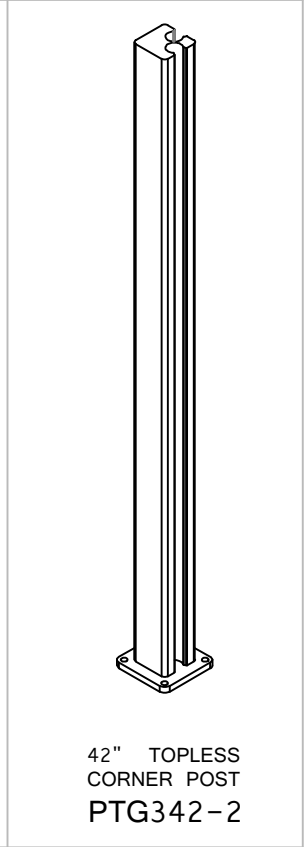
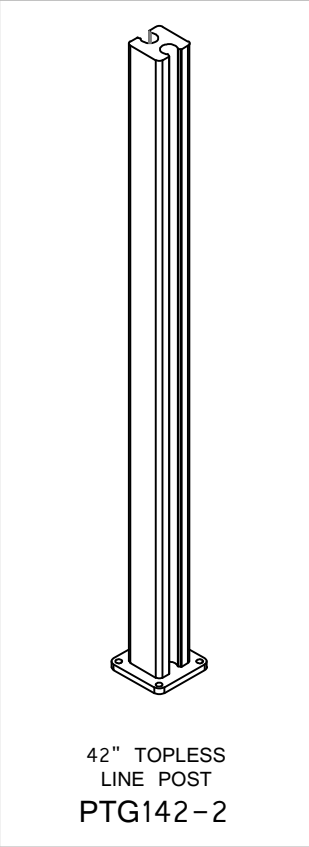
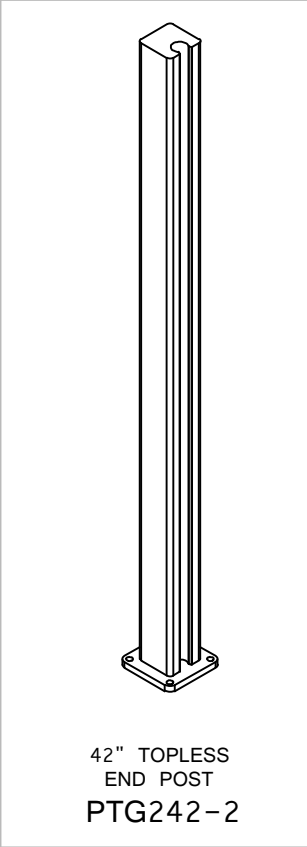
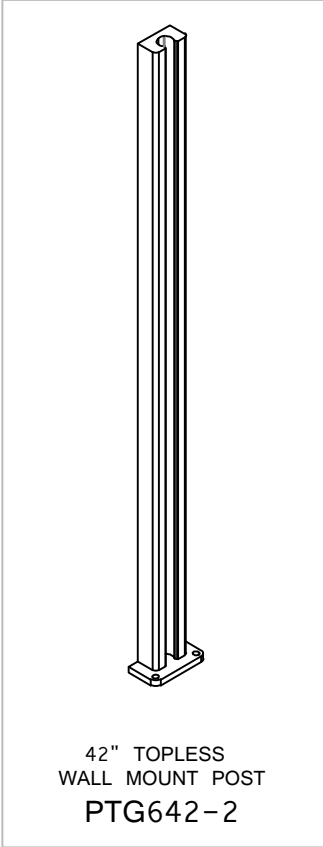
 <p>72" SLEEVE END POST SIDE MOUNT P7B23-2</p>	 <p>72" SLEEVE LINE POST SIDE MOUNT P723-2</p>	 <p>72" 90° CORNER POST SIDE MOUNT P7A23-2</p>	 <p>72" END POST SIDE MOUNT P7B23-2A</p>
 <p>72" LINE POST SIDE MOUNT P723-2A</p>			



Add: True North Railings Inc.
 Calgary, Alberta, Canada
 Phone: +1-587-620-8477
 E-mail: sales@truenorthrailings.com
 Website: <http://www.TrueNorthRailings.com>

ALUMINUM RAILING SYSTEM

TOPLESS GLASS RAIL POST

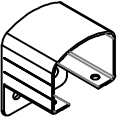
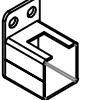
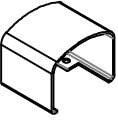
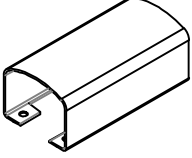
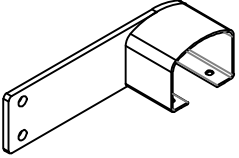
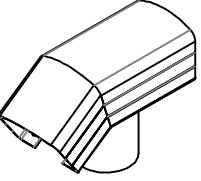
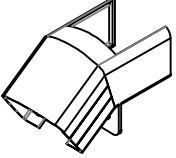
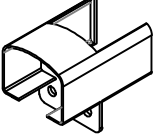
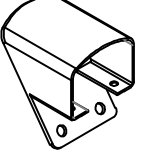
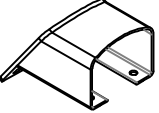
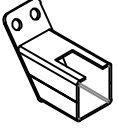

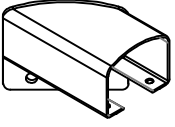
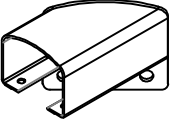
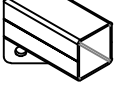
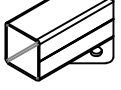




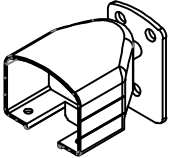
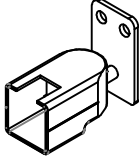
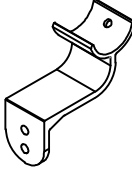
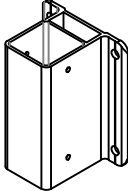
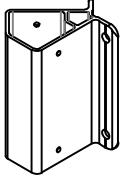
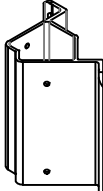
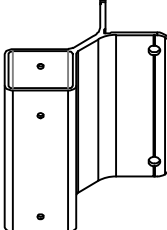
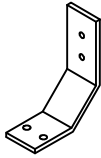

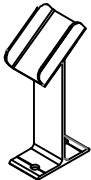

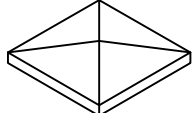
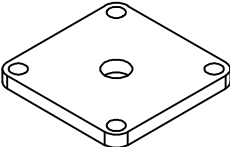



Add: True North Railings Inc.
 Calgary, Alberta, Canada
 Phone: +1-587-620-8477
 E-mail: sales@truenorthrailings.com
 Website: <http://www.TrueNorthRailings.com>

ALUMINUM RAILING SYSTEM

ACCESSORIES

 TOP WALL BRACKET B1-2	 BOTTOM WALL BRACKET B2-2	 SLEEVED END CAP S11-2	 LINE SLEEVE S21-2
 WIND WALL SLEEVE S5-2	 SLEEVED STAIR BRACKET S223-2	 INSERT STAIR BRACKET S222-2	 LINE INSERT BRACKET S221-2
 TOP STAIR BRACKET-TOP B5-2	 TOP STAIR BRACKET -BOTTOM B5-2	 BOTTOM STAIR BRACKET-TOP B6-2	 BOTTOM STAIR BRACKET-BOTTOM B8-2
 45° TOP WALL BRACKET -RIGHT B3-2	 45° TOP WALL BRACKET -LEFT B3-2A	 45° BOTTOM WALL BRACKET -RIGHT B3-3	 45° BOTTOM WALL BRACKET -LEFT B3-3A

ALUMINUM RAILING SYSTEM
ACCESSORIES

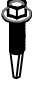



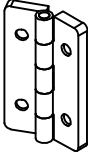
 <p>TOP BALL JOINT BRACKET S111-2</p>	 <p>BOTTOM BALL JOINT BRACKET S112-2</p>	 <p>PIPE HANDRAIL SUPPORT B4-2</p>	 <p>SIDEMOUNT PLATE B9-2</p>
 <p>45° SIDEMOUNT PLATE -OUTSIDE B10-2</p>	 <p>45° SIDEMOUNT PLATE -INSIDE B12-2</p>	 <p>90° SIDEMOUNT PLATE B11-2</p>	 <p>WINDWALL BRACE S10-2</p>
 <p>SUPPORT LEG XA-2</p>	 <p>STAIR SUPPORT LEG XK-2</p>	 <p>PIPE HANDRAIL PLUG XJ-2</p>	 <p>3" POST CAP S71-2</p>
 <p>BASE PLATE PBP21-2</p>	 <p>SCREW 1" LAG M6X25 SC1-1"-2</p>	 <p>SCREW 2" LAG M6X50 SC1-2"-2</p>	 <p>SCREW 3" LAG M6X75 SC1-3"-2</p>



Add: True North Railings Inc.
 Calgary, Alberta, Canada
 Phone: +1-587-620-8477
 E-mail: sales@truenorthrailings.com
 Website: <http://www.TrueNorthRailings.com>

ALUMINUM RAILING SYSTEM

ACCESSORIES

 <p>SCREW 1" TEK M5X25 SC2-1"-2</p>	 <p>SCREW 2" TEK M5X50 SC2-2"-2</p>	 <p>CONCRETE INSERT -WALL M6X60 XCI-2</p>	 <p>CONCRETE INSERT -GRAND M8X60 XCI-2A</p>
 <p>GATE HINGE XH-2</p>	<p>GATE LATCH XI-2</p>		

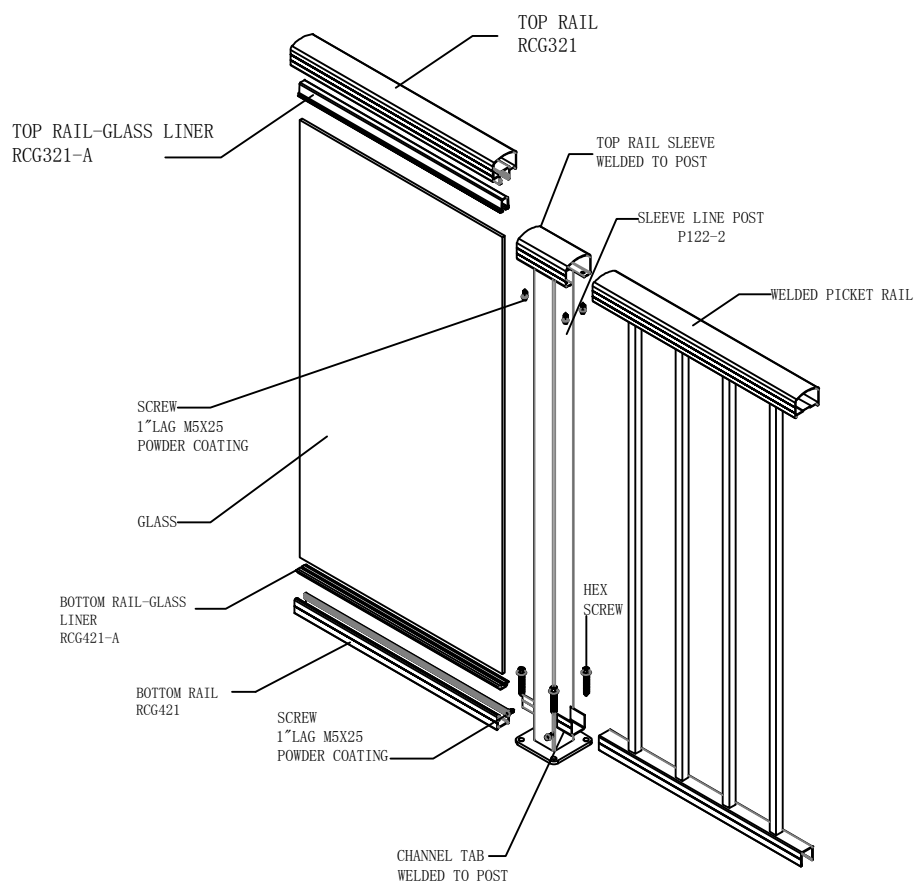
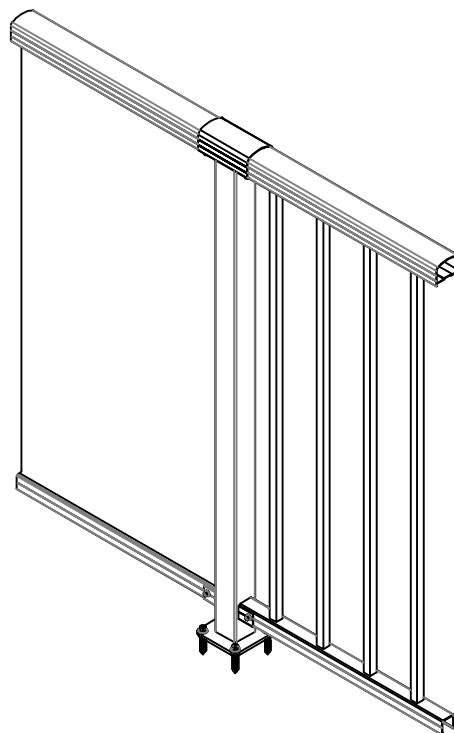


Add: True North Railings Inc.
Calgary, Alberta, Canada
Phone: +1-587-620-8477
E-mail: sales@truenorthrailings.com
Website: <http://www.TrueNorthRailings.com>

ALUMINUM RAILING SYSTEM

PRODUCT APPLICATION

SLEEVE LINE POST P122-2



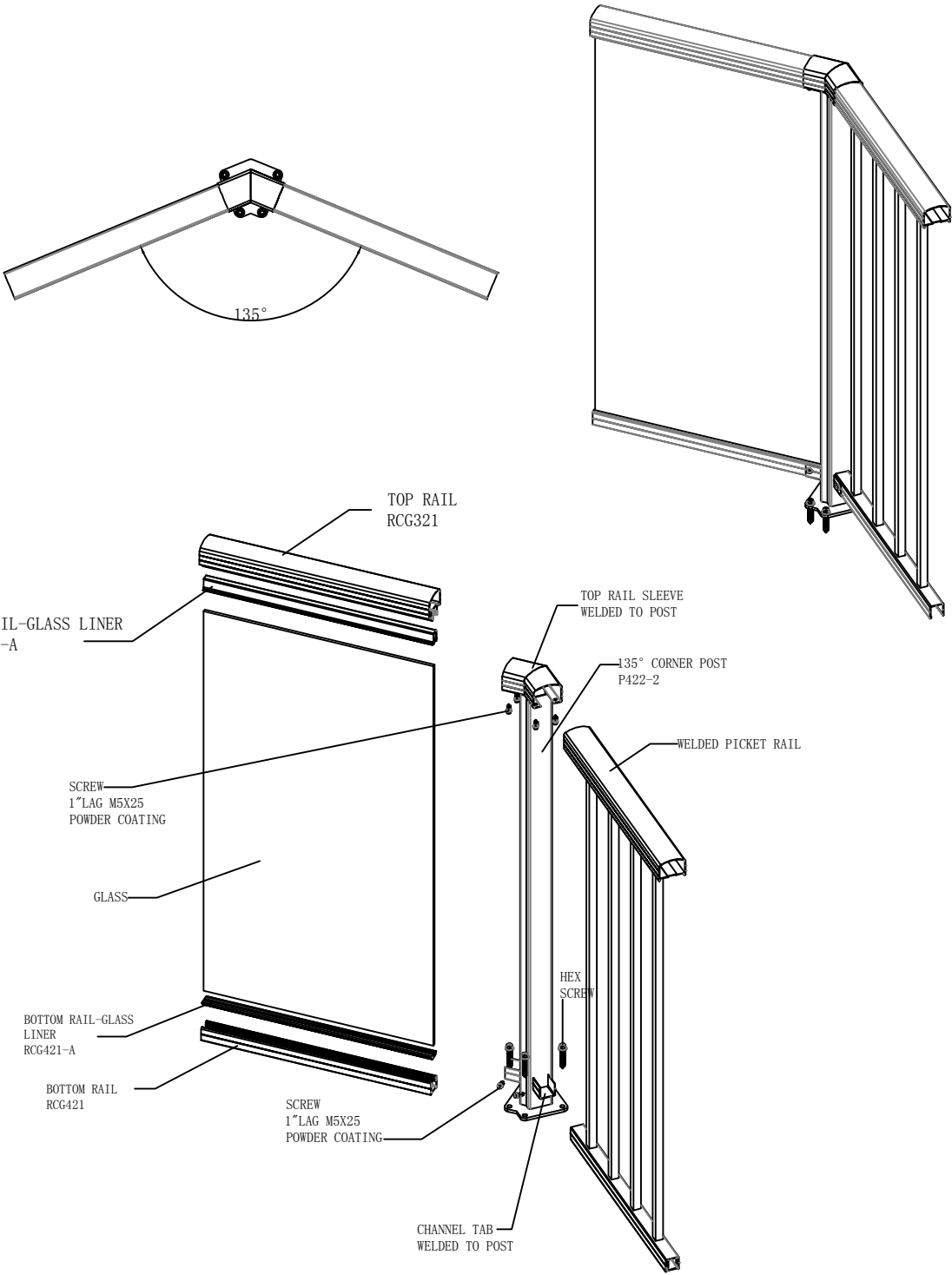


Add: True North Railings Inc.
Calgary, Alberta, Canada
Phone: +1-587-620-8477
E-mail: sales@truenorthrailings.com
Website: <http://www.TrueNorthRailings.com>

ALUMINUM RAILING SYSTEM

PRODUCT APPLICATION

135° CORNER POST P422-2



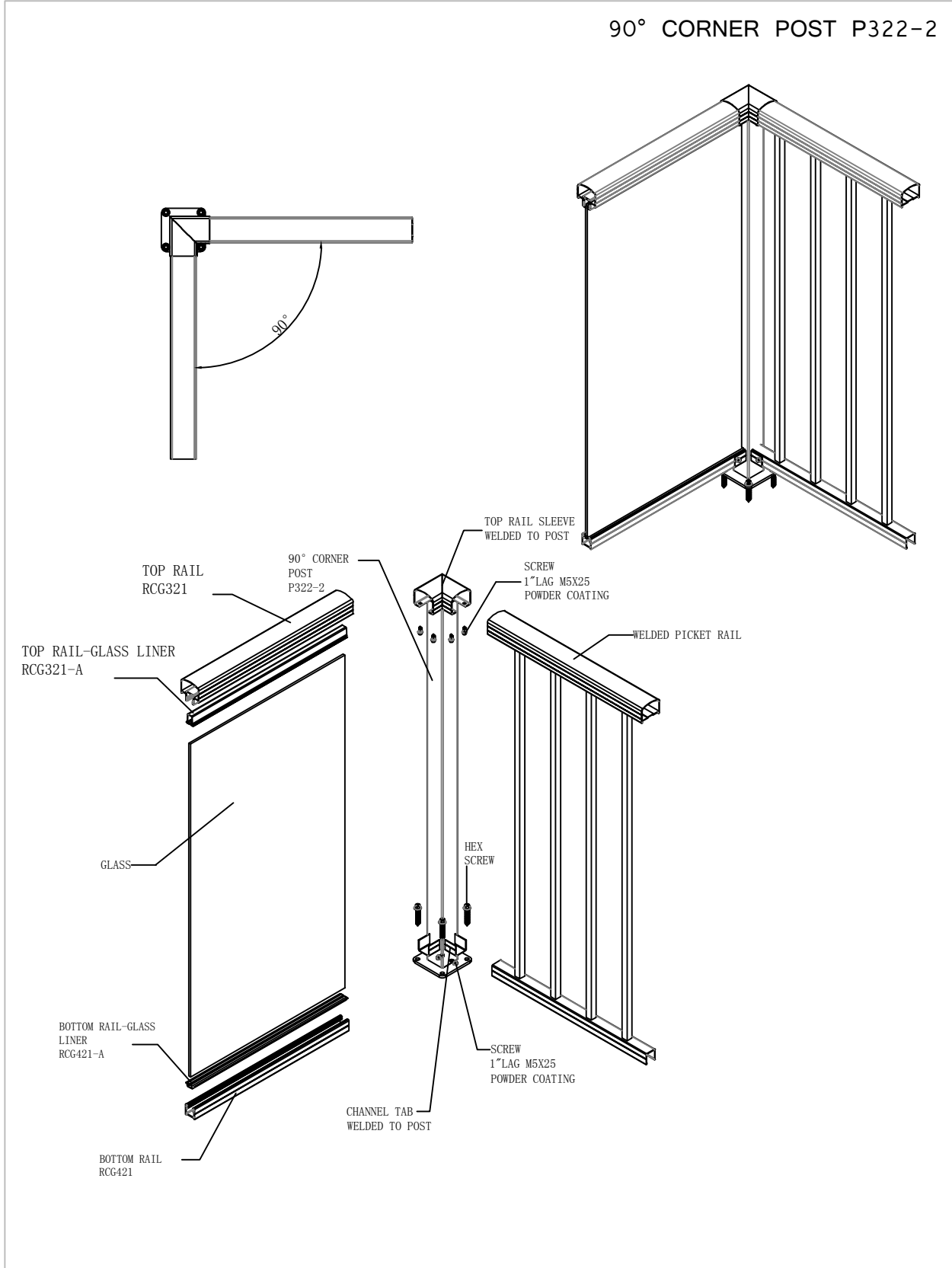


Add: True North Railings Inc.
Calgary, Alberta, Canada
Phone: +1-587-620-8477
E-mail: sales@truenorthrailings.com
Website: <http://www.TrueNorthRailings.com>

ALUMINUM RAILING SYSTEM

PRODUCT APPLICATION

90° CORNER POST P322-2



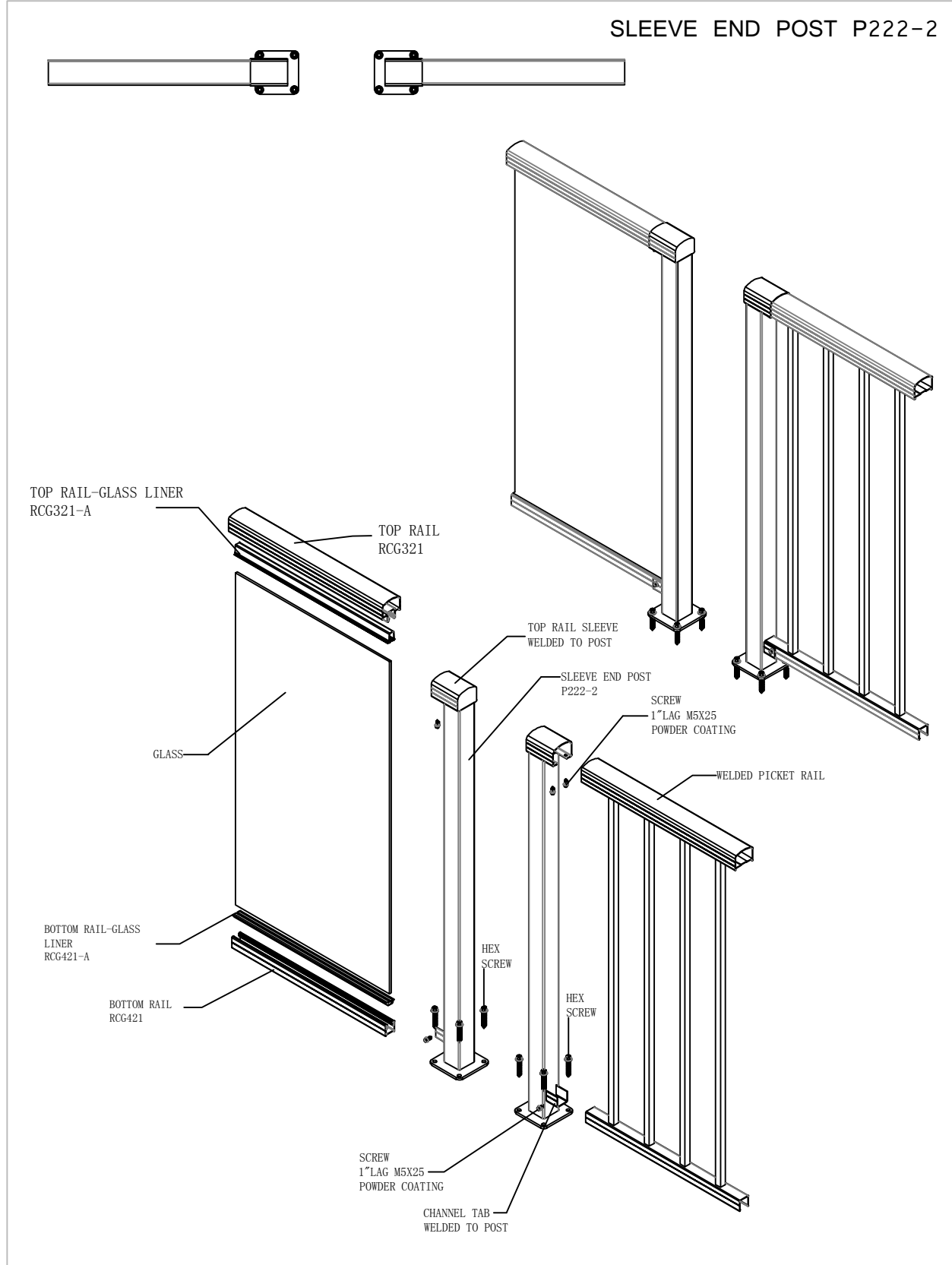


Add: True North Railings Inc.
 Calgary, Alberta, Canada
 Phone: +1-587-620-8477
 E-mail: sales@truenorthrailings.com
 Website: http://www.TrueNorthRailings.com

ALUMINUM RAILING SYSTEM

PRODUCT APPLICATION

SLEEVE END POST P222-2



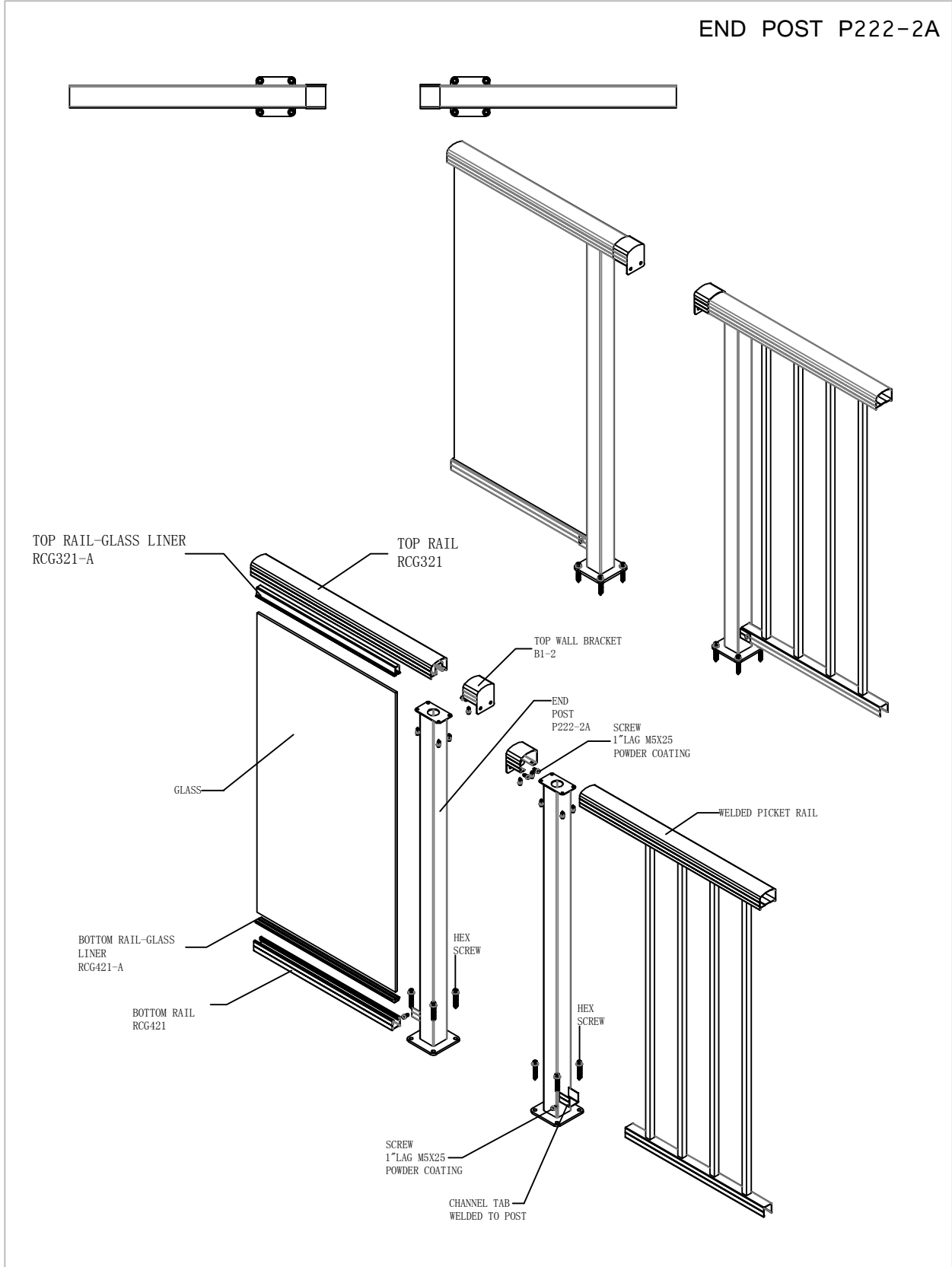


Add: True North Railings Inc.
Calgary, Alberta, Canada
Phone: +1-587-620-8477
E-mail: sales@truenorthrailings.com
Website: <http://www.TrueNorthRailings.com>

ALUMINUM RAILING SYSTEM

PRODUCT APPLICATION

END POST P222-2A



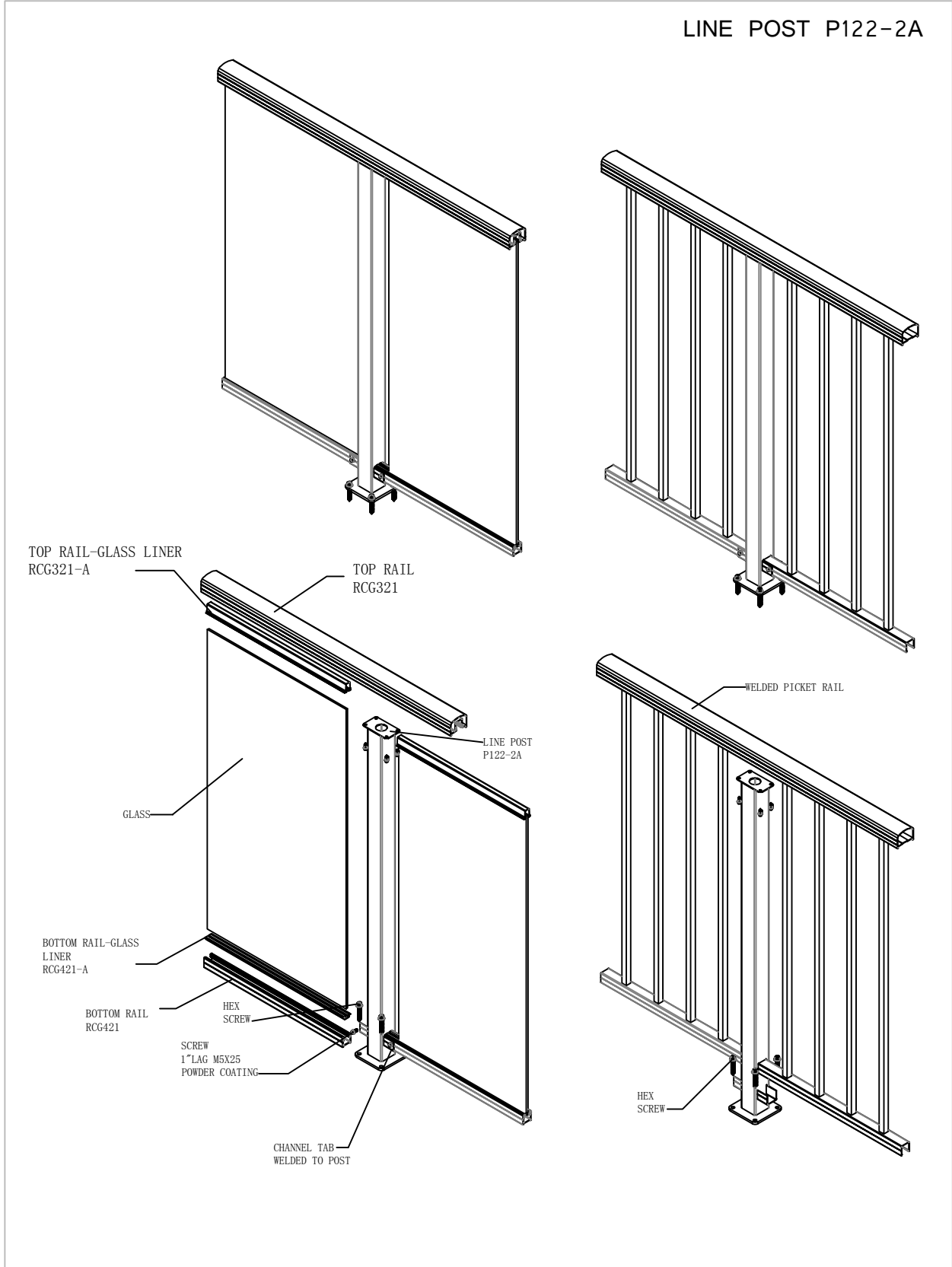


Add: True North Railings Inc.
 Calgary, Alberta, Canada
 Phone: +1-587-620-8477
 E-mail: sales@truenorthrailings.com
 Website: <http://www.TrueNorthRailings.com>

ALUMINUM RAILING SYSTEM

PRODUCT APPLICATION

LINE POST P122-2A





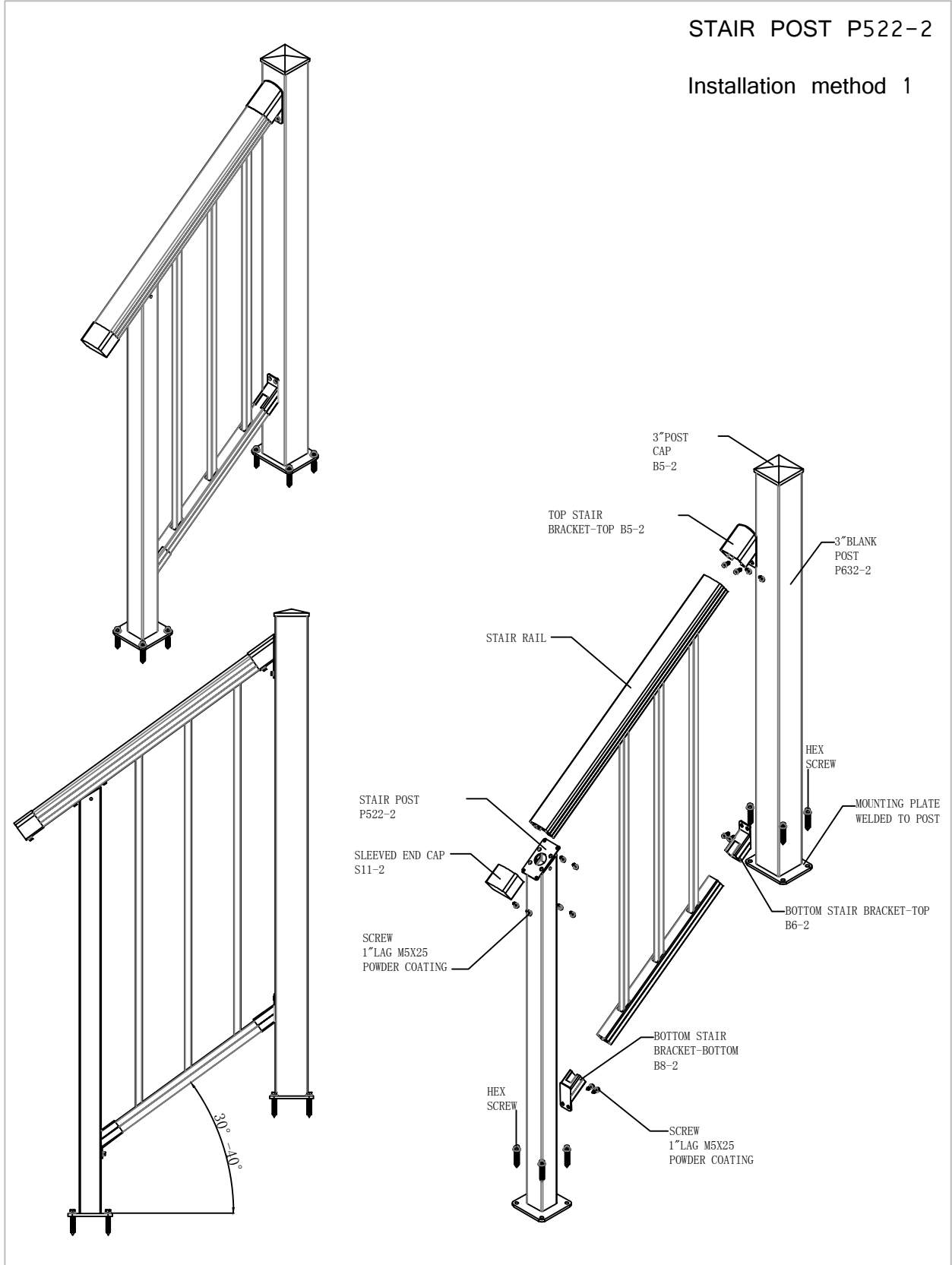
Add: True North Railings Inc.
 Calgary, Alberta, Canada
 Phone: +1-587-620-8477
 E-mail: sales@truenorthrailings.com
 Website: http://www.TrueNorthRailings.com

ALUMINUM RAILING SYSTEM

PRODUCT APPLICATION

STAIR POST P522-2

Installation method 1





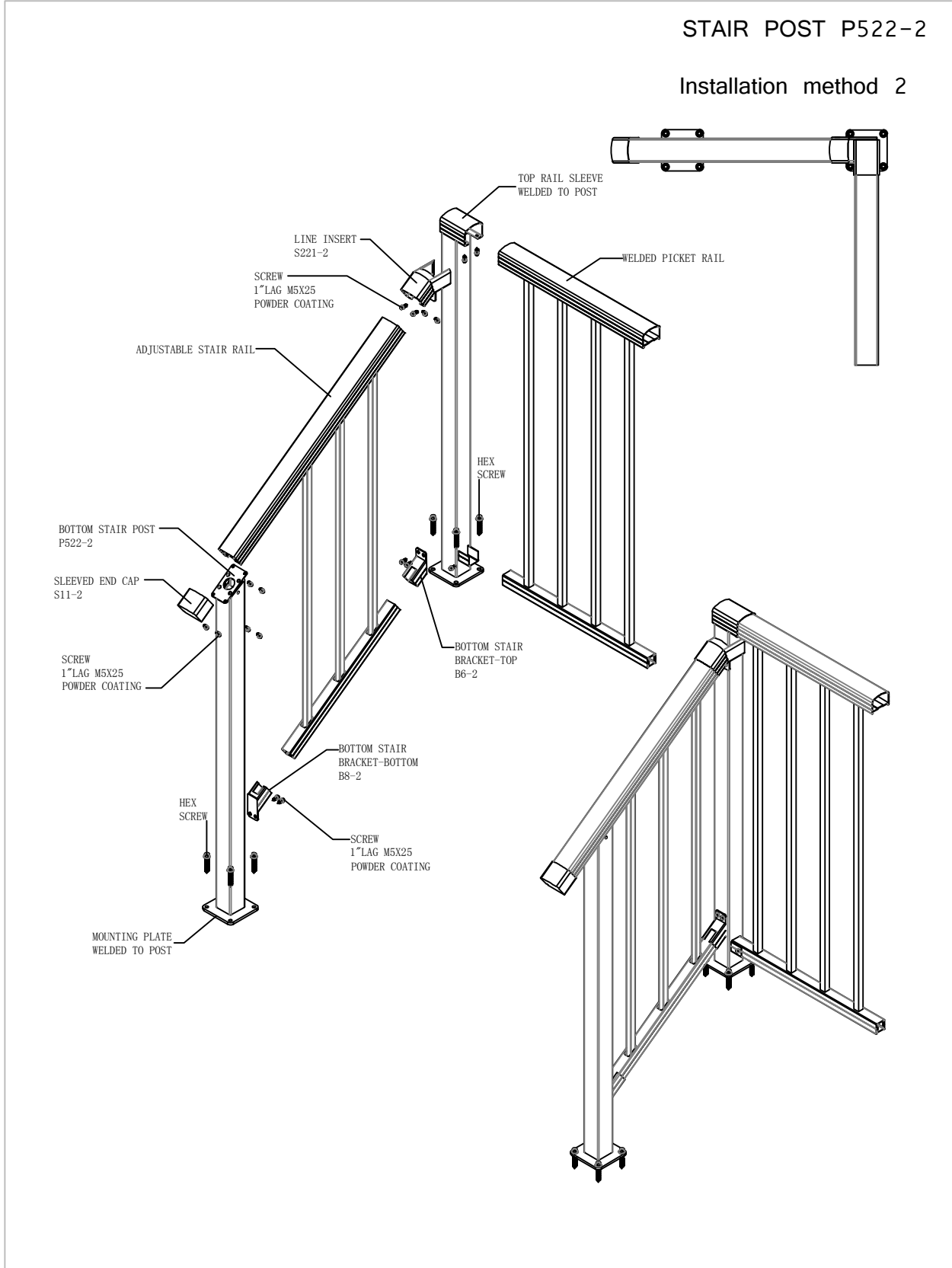
Add: True North Railings Inc.
 Calgary, Alberta, Canada
 Phone: +1-587-620-8477
 E-mail: sales@truenorthrailings.com
 Website: <http://www.TrueNorthRailings.com>

ALUMINUM RAILING SYSTEM

PRODUCT APPLICATION

STAIR POST P522-2

Installation method 2





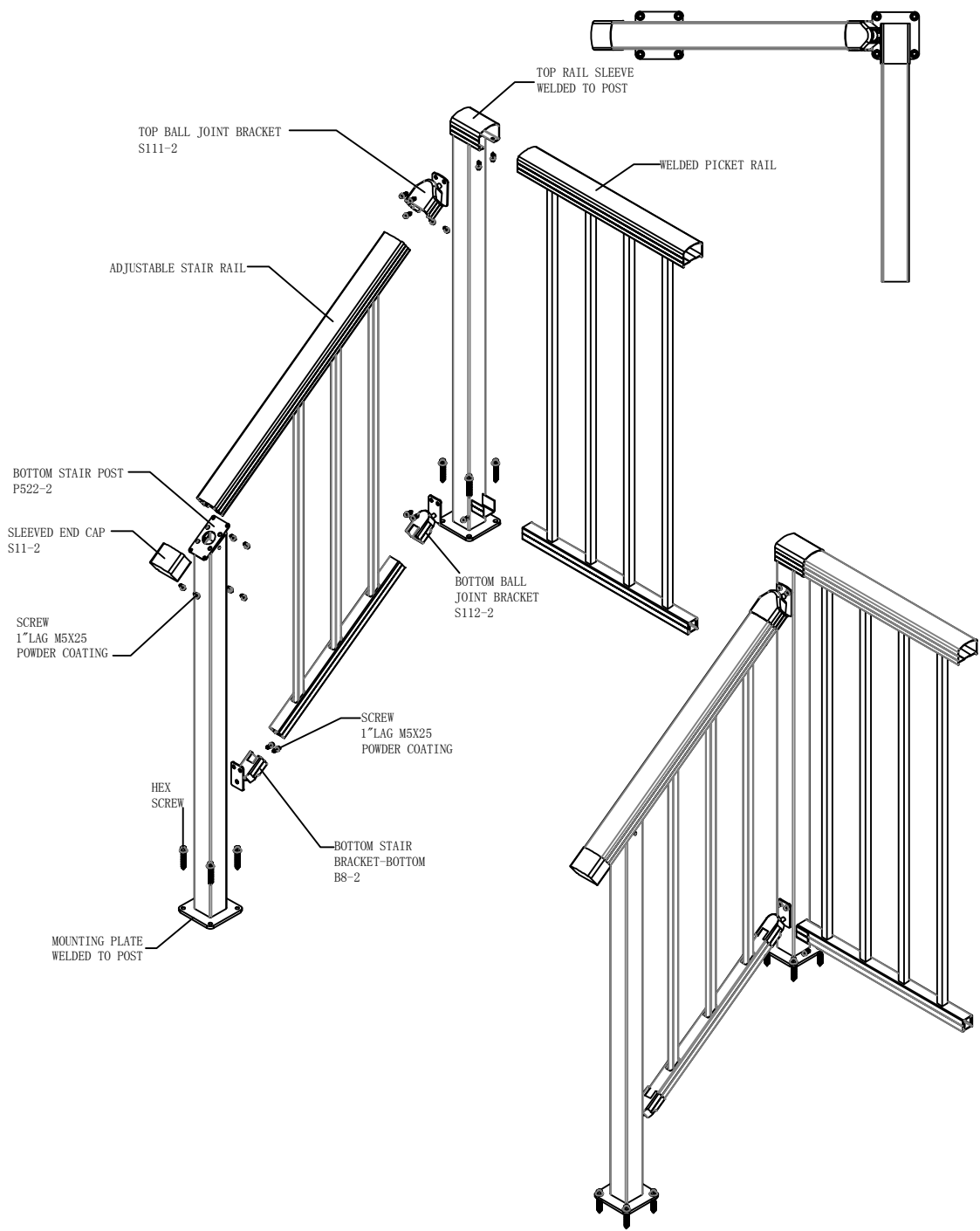
Add: True North Railings Inc.
 Calgary, Alberta, Canada
 Phone: +1-587-620-8477
 E-mail: sales@truenorthrailings.com
 Website: <http://www.TrueNorthRailings.com>

ALUMINUM RAILING SYSTEM

PRODUCT APPLICATION

STAIR POST P522-2

Installation method 3



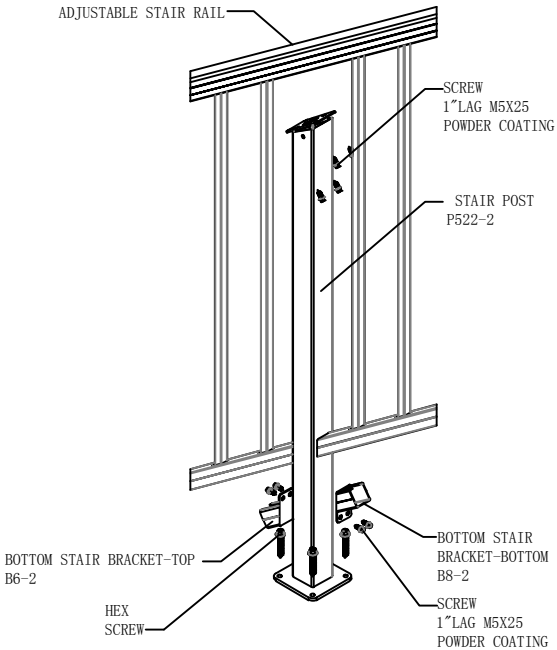
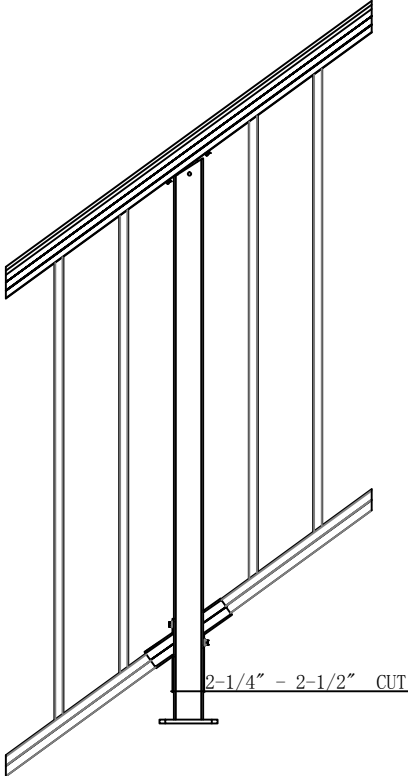
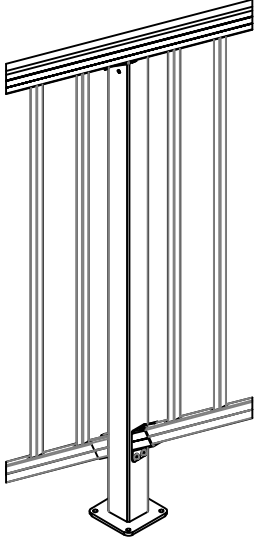


Add: True North Railings Inc.
Calgary, Alberta, Canada
Phone: +1-587-620-8477
E-mail: sales@truenorthrailings.com
Website: <http://www.TrueNorthRailings.com>

ALUMINUM RAILING SYSTEM

PRODUCT APPLICATION

STAIR POST P522-2





**True North
Railings**

Add: True North Railings Inc.
Calgary, Alberta, Canada
Phone: +1-587-620-8477
E-mail: sales@truenorthrailings.com
Website: <http://www.TrueNorthRailings.com>

ALUMINUM RAILING SYSTEM

PRODUCT APPLICATION

FASCIA WINDWALL

