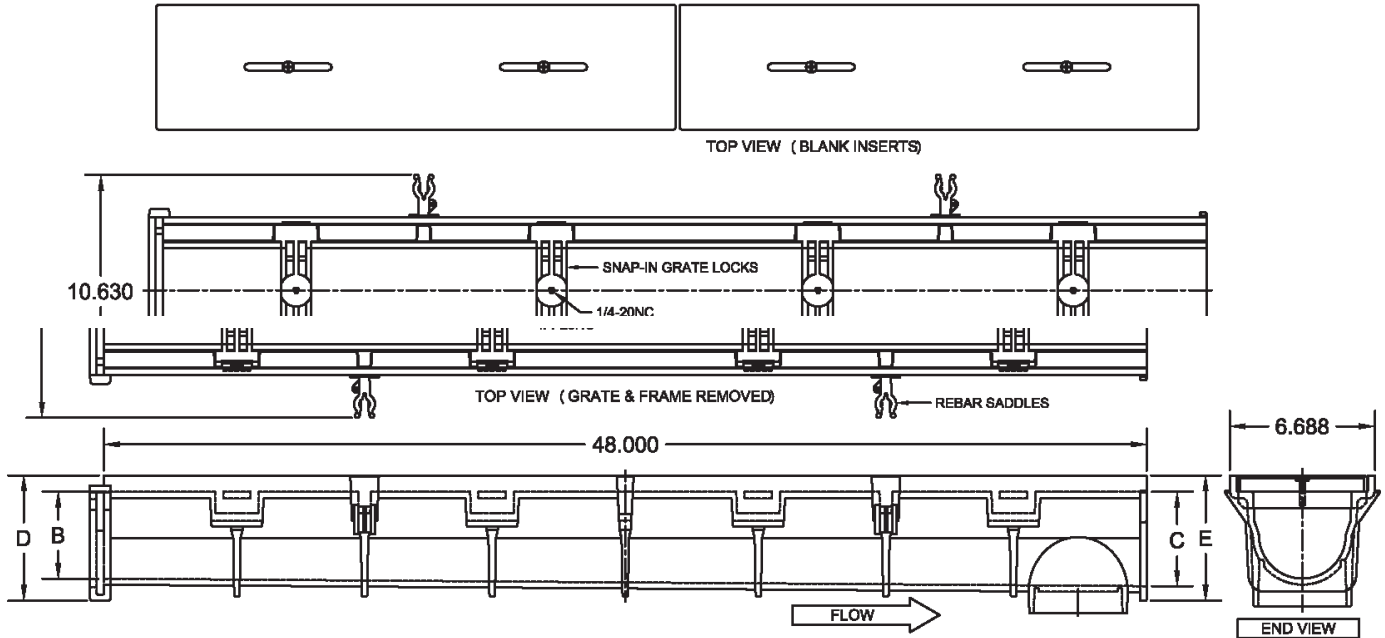


6" Wide HDPE Modular Trench Drainage System- With HDF Heavy Duty Frame

Regularly Furnished: 6" wide High density polyethylene modular trench drain with 4" wide throat, radius bottom, interlocking ends, rebar saddles, lock devices, blank grate inserts and grates as specified.

Project		Engineer		Mechanical	
---------	--	----------	--	------------	--



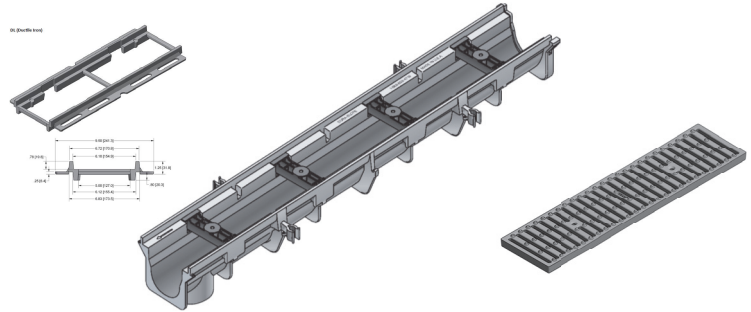
Note: Custom Lengths are Available to Establish Specific Overall Trench Assemblies i.e. If 47 Ft. sloped bottom trench is specified, Eleven 4FT standard sections would be provided and one 3FT custom cut section. Custom Cut Sections are Extra Charge.

●	Catalog Number	Flow Rate		Dimensions In (mm)		●	Catalog Number	Flow Rate		Dimensions In (mm)	
		GPM	LPM	B	C			GPM	LPM	B	C
	W090N	75	284	3.998 (102)	3.998 (102)		W103	243	920	8.030 (203)	8.366 (212)
	W091	75	284	3.998 (102)	4.334 (110)		W103N	257	973	8.366 (212)	8.366 (212)
	W091N	89	337	4.334 (110)	4.344 (110)		W104	257	973	8.366 (212)	8.702 (221)
	W092	89	337	4.334 (110)	4.670 (119)		W105	271	1026	8.702 (221)	9.038 (230)
	W093	103	390	4.670 (119)	5.006 (127)		W106	285	1079	9.038 (230)	9.374 (238)
	W094	117	443	5.006 (127)	5.342 (136)		W106N	299	1132	9.374 (238)	9.374 (238)
	W094N	131	496	5.342 (136)	5.342 (136)		W107	299	1132	9.374 (238)	9.710 (247)
	W095	131	496	5.342 (136)	5.678 (144)		W108	313	1185	9.710 (247)	10.046 (255)
	W096	145	549	5.678 (144)	6.014 (153)		W109	327	1238	10.046 (255)	10.382 (264)
	W097	159	602	6.014 (153)	6.350 (161)		W109N	341	1291	10.382 (264)	10.382 (264)
	W097N	173	655	6.350 (161)	6.350 (161)		W110	341	1291	10.382 (264)	10.718 (272)
	W098	173	655	6.350 (161)	6.868 (174)		W111	355	1344	10.718 (272)	11.054 (281)
	W099	187	708	6.686 (174)	7.022 (178)		W112	368	1393	11.054 (281)	11.390 (289)
	W100	201	761	7.022 (178)	7.358 (187)		W112N	382	1446	11.390 (289)	11.390 (289)
	W100N	215	814	7.358 (187)	7.358 (187)		W113	382	1446	11.390 (289)	11.726 (298)
	W101	215	814	7.358 (187)	7.694 (195)		W114	396	1499	11.276 (298)	12.062 (306)
	W102	229	867	7.694 (195)	8.030 (204)						

6" Wide HDPE Modular Trench Drainage System - With HDF Heavy Duty Frame

Channel No.	Channel Length
W090N thru W114	48 Inches (1219.2)

Regularly Furnished: 6" wide High density polyethylene modular trench drain with 4" wide throat, radius bottom, interlocking ends, rebar saddles, lock devices, blank grate insert and painted ductile iron slotted grates.



Ductile Iron Grate Options				
Suffix	Description	Finish	Class	•
-HDP	Slotted	Painted	C	
-HDG	Slotted	Galvanized	C	
-HPP	ADA Heel Proof	Painted	C	
-HPG	ADA Heel Proof	Galvanized	C	
-DCP	Circular Slots	Painted	A	
-DCG	Circular Slots	Galvanized	A	
-DDP	Diagonal Slots	Painted	A	
-DDG	Diagonal Slots	Galvanized	A	
-DEP	Slotted	Painted	E	
-DEG	Slotted	Galvanized	E	
-DBP	Bar Grate	Painted	C	
-DBG	Bar Grate	Galvanized	C	
-DMP	Solid Cover	Painted	D	
-DMG	Solid Cover	Galvanized	D	
-DRP	Wide Slot	Painted	D	
-DRG	Wide Slot	Galvanized	D	
-DXP	Slotted	Painted	E	
-DXG	Slotted	Galvanized	E	
-DZP	Square Pattern	Painted	A	
-DZG	Square Pattern	Galvanized	A	
-XLP	Slotted w/ Frame	Painted	F	
-XLG	Slotted w/ Frame	Galvanized	F	
Galvanized Carbon Steel Grate Options				
-CSG	Slotted	Galvanized	A	
-CPG	Slotted Reinforced	Galvanized	C	
-FPG	Perforated	Galvanized	A	
-RSG	Reinforced Perforated	Galvanized	C	
Polyolefin (Plastic) Grate Options				
-PWW	Slotted	White	B	
-PBD	Slotted	Dark Gray	B	
-PSG	Slotted	Gray	B	
-PGG	Slotted	Green	B	
-PBB	Slotted	Black	B	
-PSA	Slotted	Sand	B	
-PBR	Slotted	Brick Red	B	
-PPG	Perforated	Gray	B	
-PPW	Perforated	White	B	

Stainless Grate Options				
Suffix	Description	Finish	Class	•
-SBS	Cast Bar Grate	Satin	C	
-SDS	Slotted	Satin	A	
-SPS	Perforated	Satin	A	
-SFS	Slotted Reinforced	Satin	C	
-SHS	Square Hole	Satin	A	
-SRS	Perforated Reinforced	Satin	C	
-SSS	ADA Cast Slotted	Satin	B	
-SMS	Solid Cover	Satin	A	
-SNS	Reinforced Solid Cover	Satin	C	
-SPP	D.I. w. S/S Veneer	Painted	C	
-SPG	D.I. w/ S/S Veneer	Galvanized	C	
Nickel Bronze Grate Options				
-BBK	ADA Heel Proof	Satin	A	
-BCK	Square Pattern	Satin	A	
-BDK	Diagonal Pattern	Satin	A	
Frame Options				
-CLP	A.R.C. Coated Carbon Steel			
-CLG	Galvanized Carbon Steel			
-SLS	Stainless Steel with Anchors			
-SVS	Stainless Steel without Anchors			
-DLP	A.R. Coated Ductile Iron			
-DLG	Galvanized Ductile Iron			
Outlet Options				
-NH	No-Hub Coupling (4", 4x3", 4x2" & 6x4")			
-PA	PVC Adapter (4", 4x3", 4x2" & 6x4")			
Suffix Options				
-UEP	Universal End Plate (Per/Each)			
-USP	End Plate w/ Side Outlet (4") Per/Each			
-VP	Vandal Proof Screws (Add/Ft.)			
-27	Sediment Bucket (Fits in Outlet) Add/Each			
Fabrications Options				
-45	45 Degree Section			
-90	90 Degree Section			
-TEE	Tee Section			