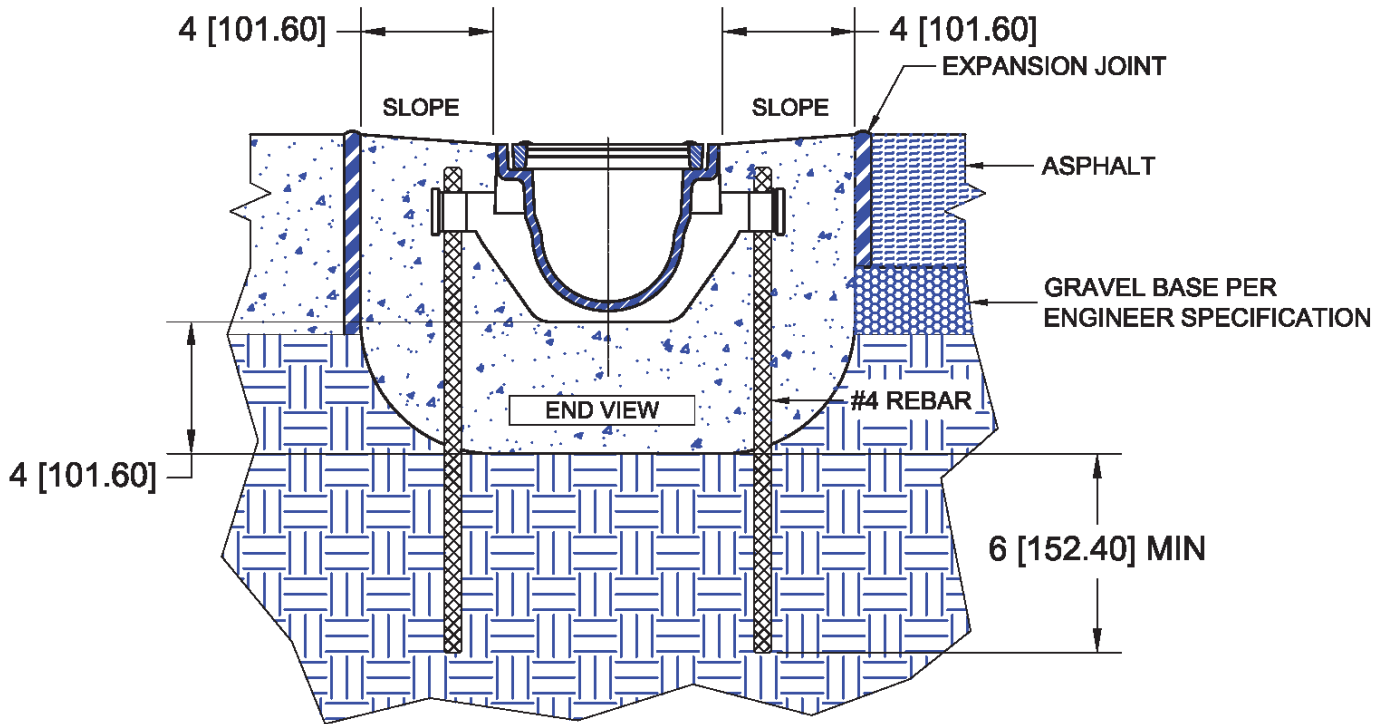
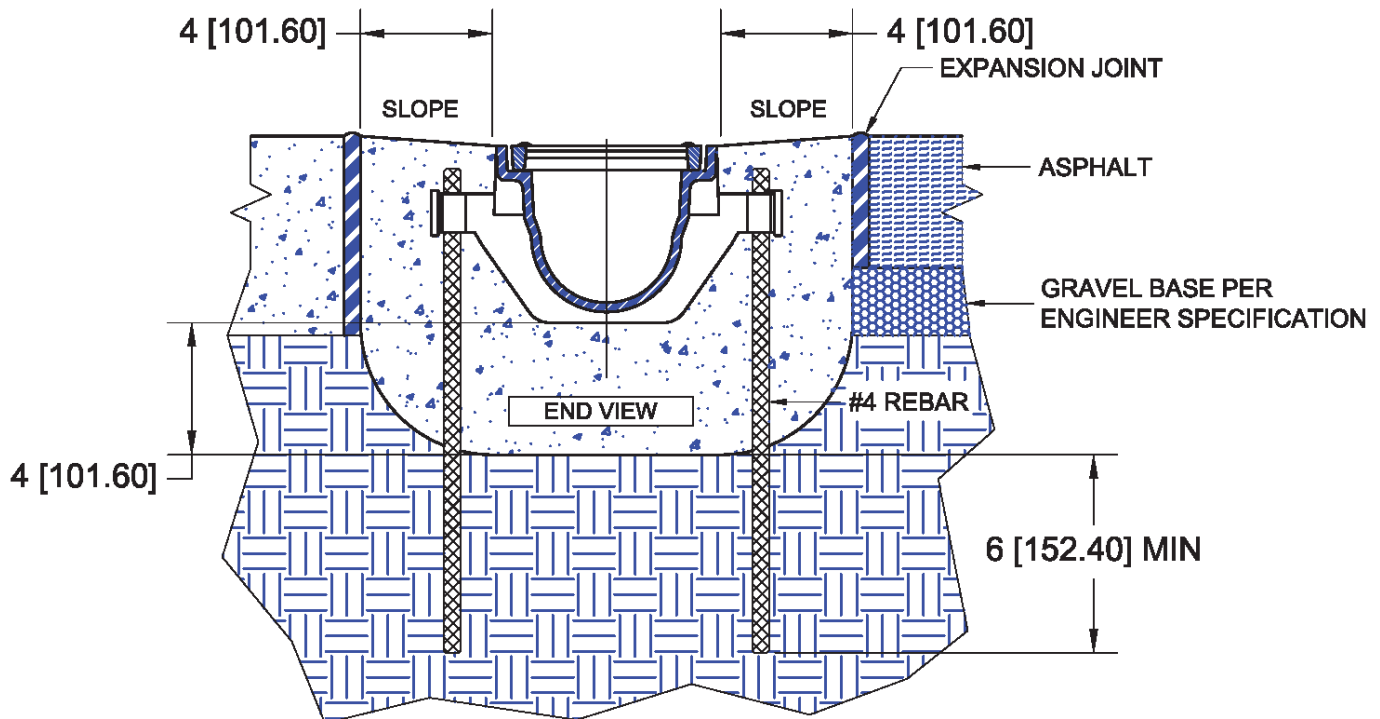


**Load Class Installation**

**CLASS A**  
 2,500 PSI CONCRETE ( MINIMUM)



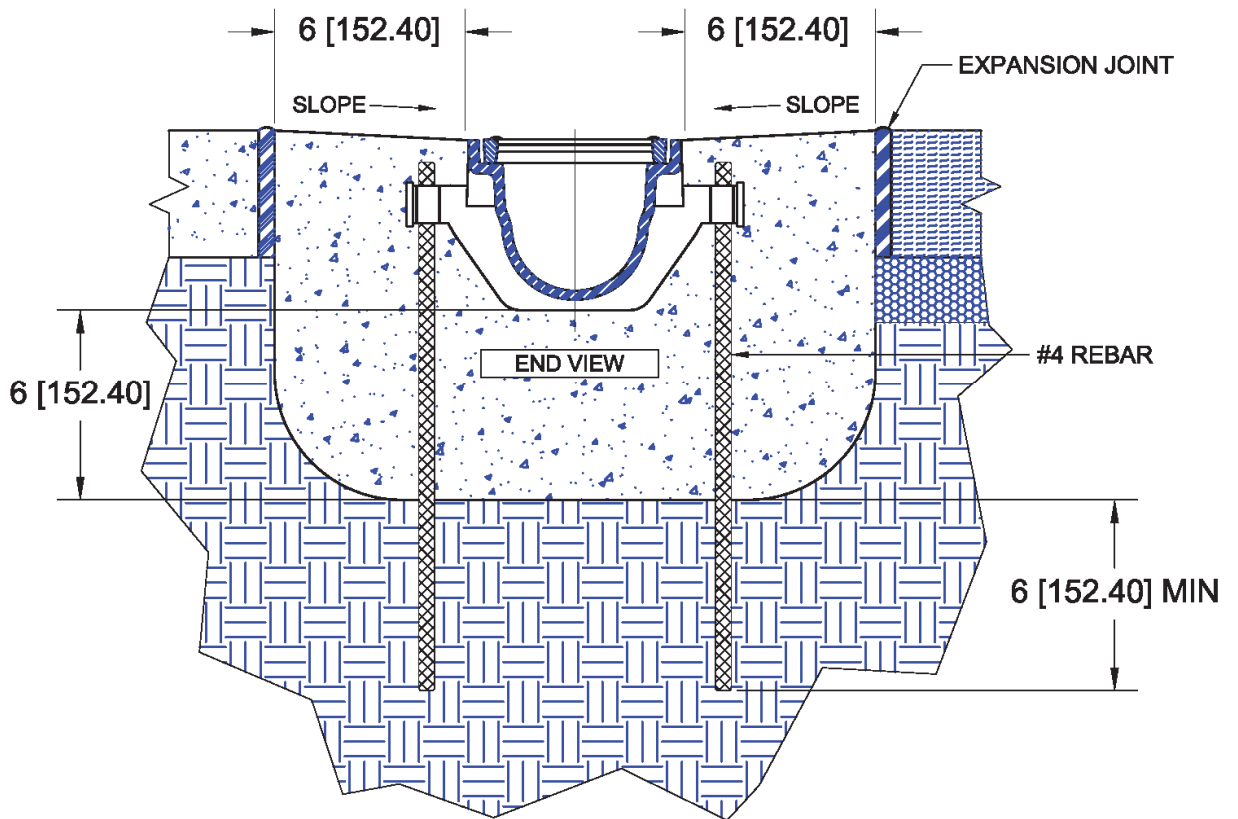
**CLASS B**  
 3,000 PSI CONCRETE ( MINIMUM)



# Load Class Installation

## CLASS C

3,500 PSI CONCRETE ( MINIMUM)



## CLASS D

3,500 PSI CONCRETE ( MINIMUM)

