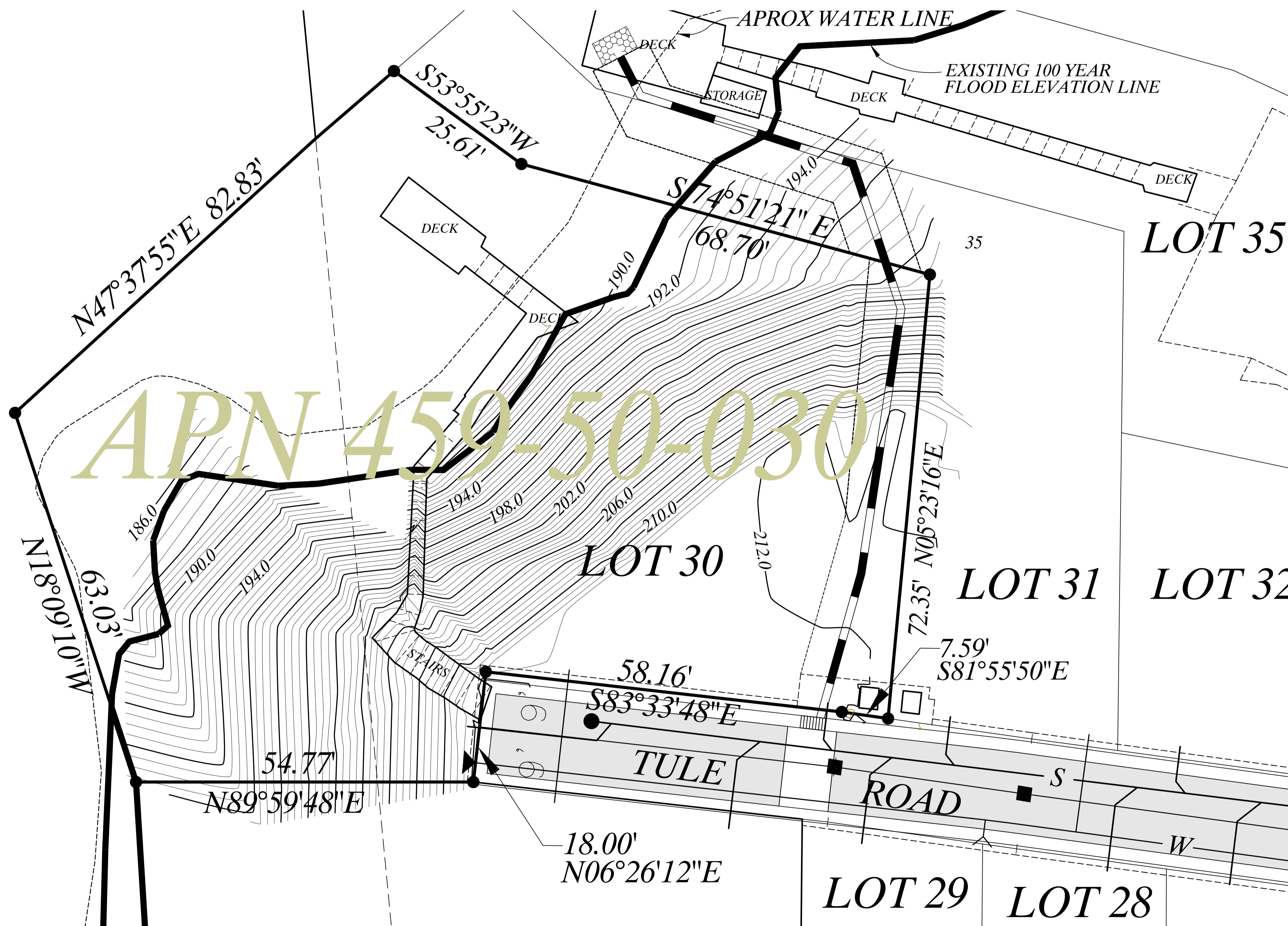
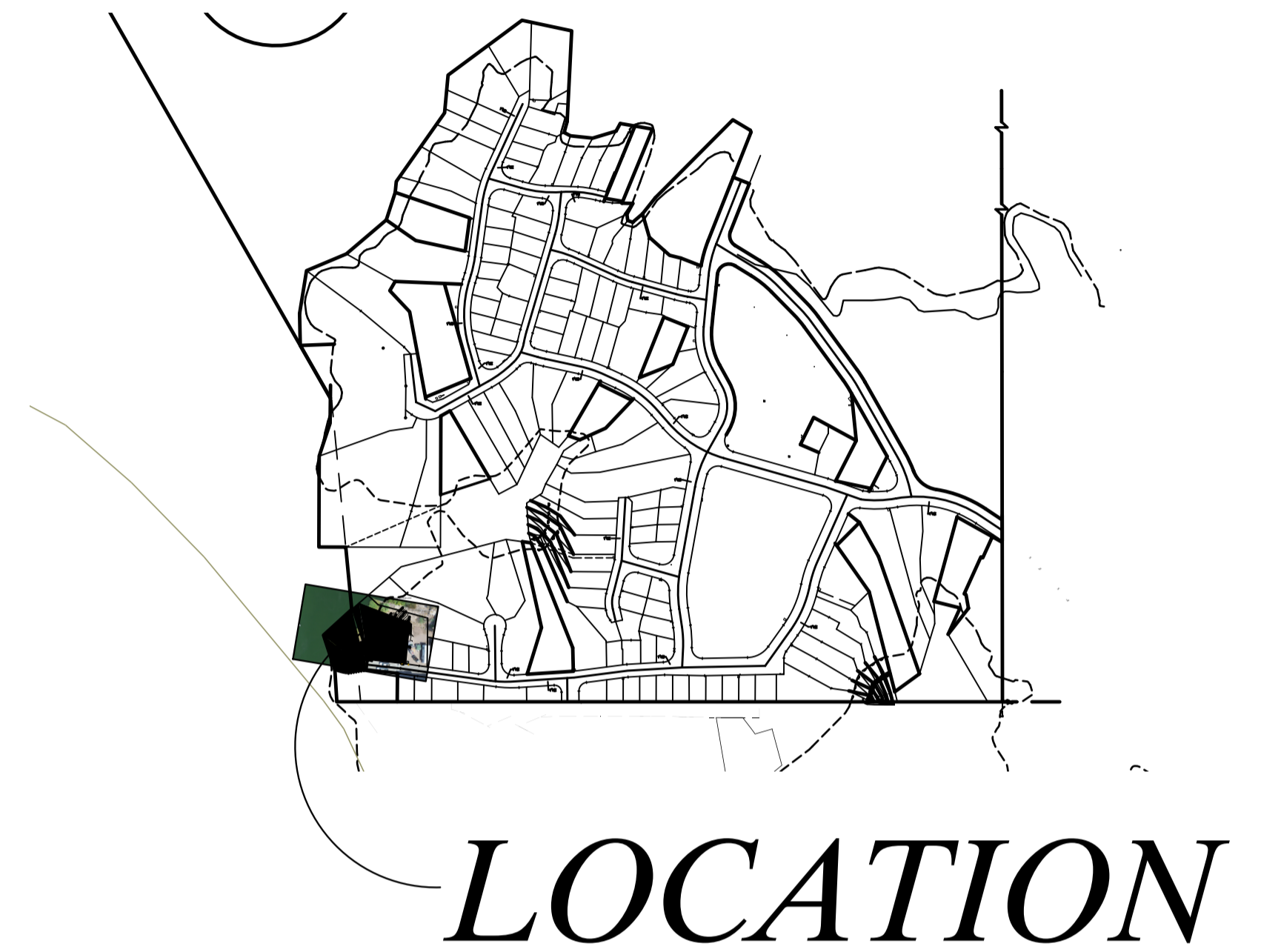
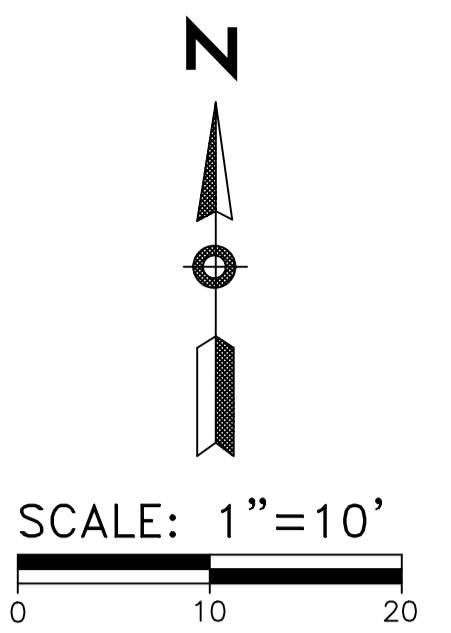


FOR SALE BY: JACOBSON COMPANIES (928) 782-1801

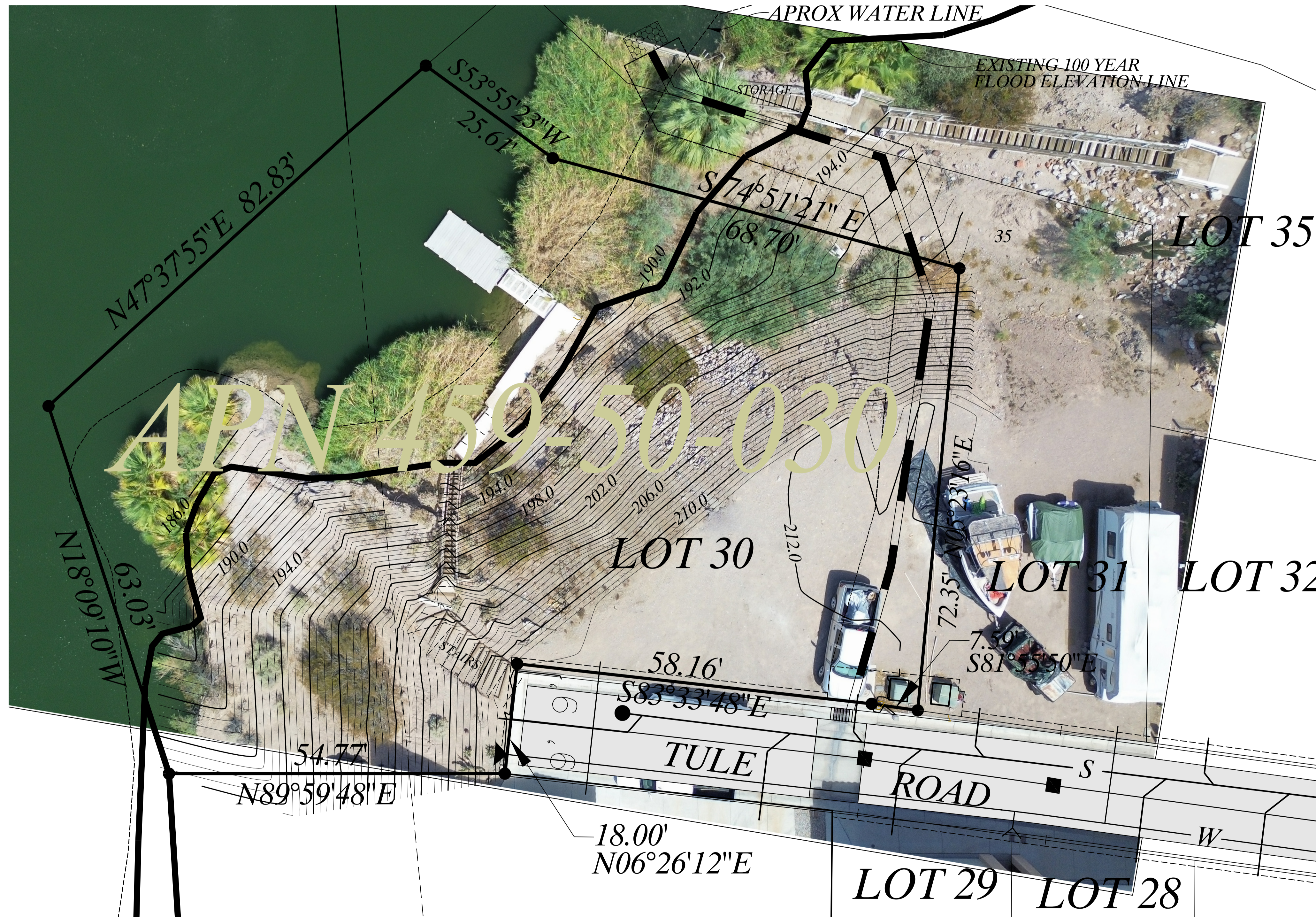
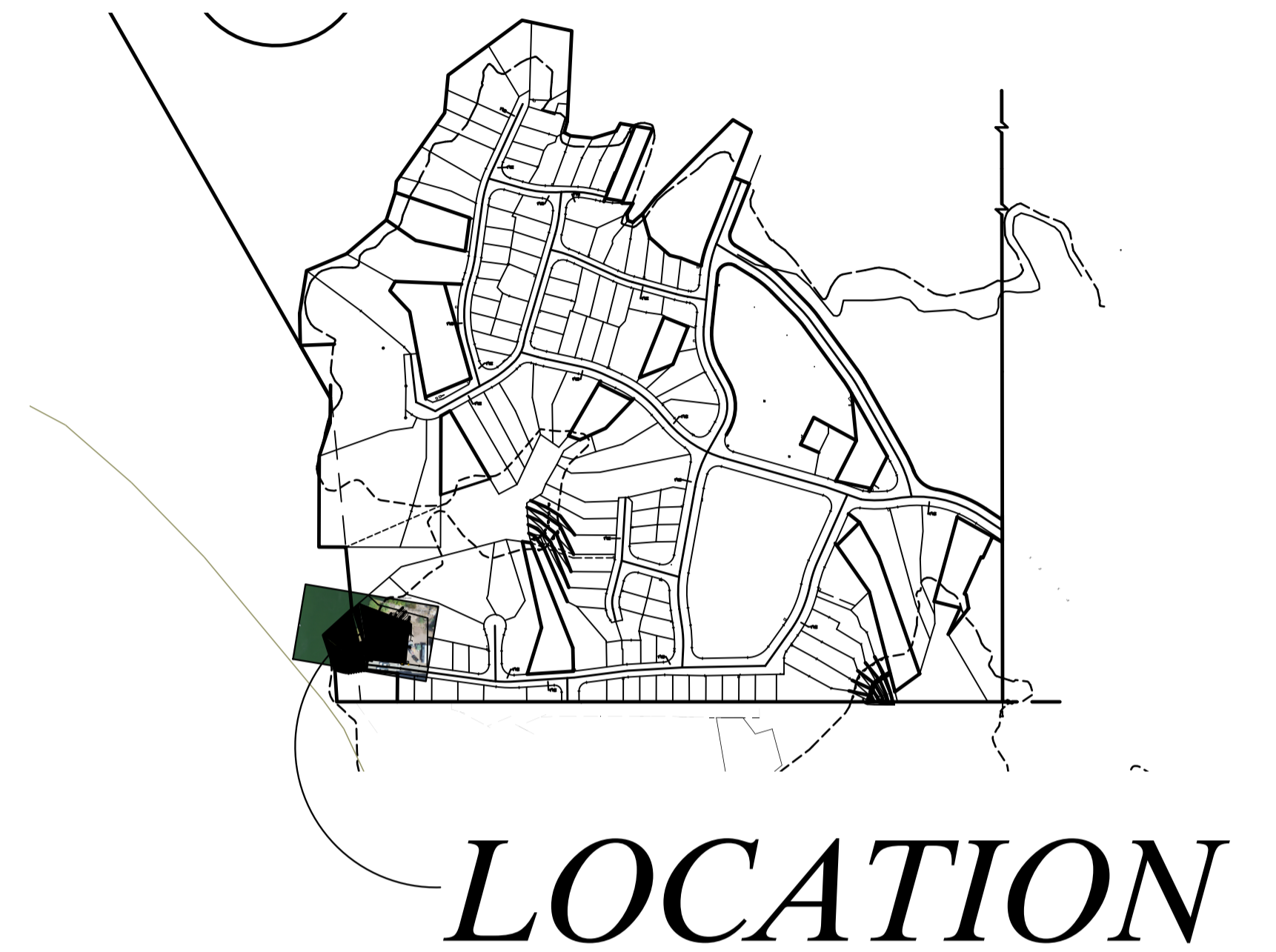
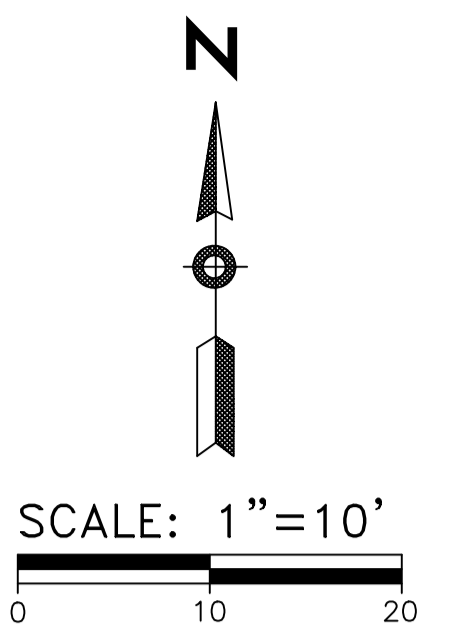


APN 459-50-030

LOT 30
AREA = 11,829.74 S.F.
AREA = 0.2716 AC.

MARTINEZ LAKE RESORT UNIT No.1

FOR SALE BY: JACOBSON COMPANIES (928) 782-1801



LOT 30
AREA = 11,829.74 S.F.
AREA = 0.2716 AC.

MARTINEZ LAKE RESORT UNIT No.1