



# VARIABLE SPEED POOL PUMP

Saving up to **80%** on Energy Cost



## Save Money on Your Electricity Bill

Single-speed pumps only run at one constant high speed; variable-speed pumps are able to change the RPM's (revolutions per minute) of the motor. Users can adjust the speed and running time as required which can save money in the long run.



## High Efficiency

Energy Savings up to 80% versus traditional pumps



Strong Suction



Quiet Performance



Huge Filter Basket



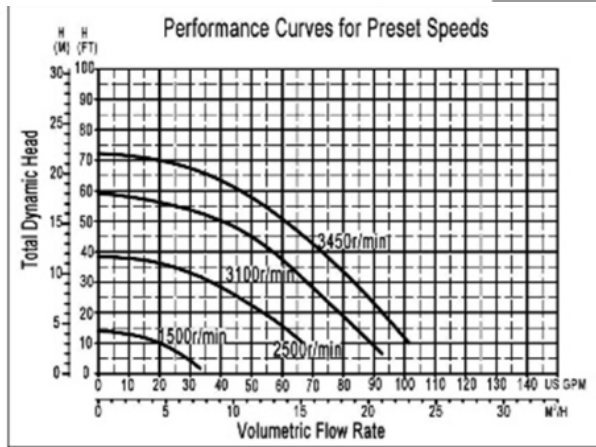
Energy-Saving Variable Speed



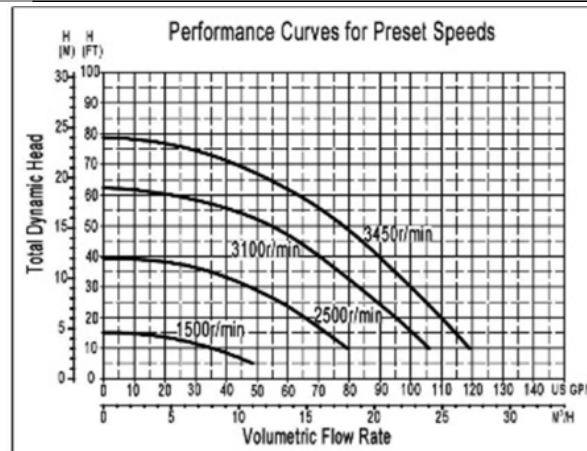
Four Speed Settings

- Innovative diffuser and high-efficiency impeller maximize water flow and energy efficiency while minimizing noise and operating costs
- All components molded of corrosion-proof reinforced thermoplastic for extra durability and long life
- Permanent magnet, totally enclosed fan-cooled (TEFC) motor provides maximum energy efficiency and long-lasting performance
- See-through/easy removal lid makes inspection fast and easy-engineered polymer remains clear and strong.
- Massive strainer basket for ease of maintenance
- Carbon to ceramic sealing surfaces
- Stainless steel shaft

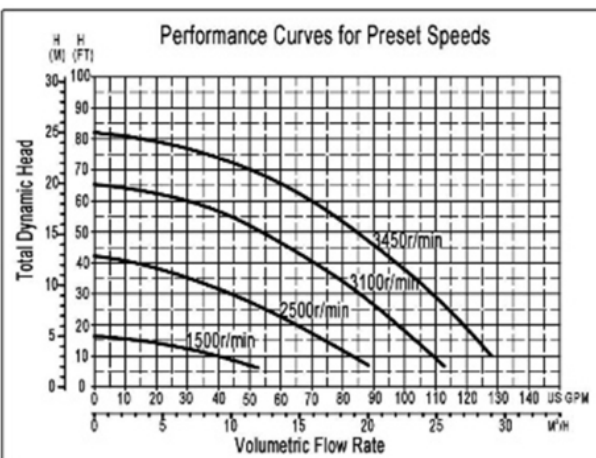
| Model Specification |                           |               |               |               |
|---------------------|---------------------------|---------------|---------------|---------------|
| Overall Ratings     |                           |               |               |               |
| Model               | AQST-FB2010VS             | AQST-FB2015VS | AQST-FB2020VS | AQST-FB2030VS |
| Input Voltage       | 220-240V                  |               |               |               |
| Input Frequency     | Single phase, 50 or 60 Hz |               |               |               |
| Input Current       | 5.5A                      | 7A            | 8A            | 10A           |
| Speed Range         | 450-3450RPM               |               |               |               |
| Port Size           | 2"x2"                     |               |               |               |



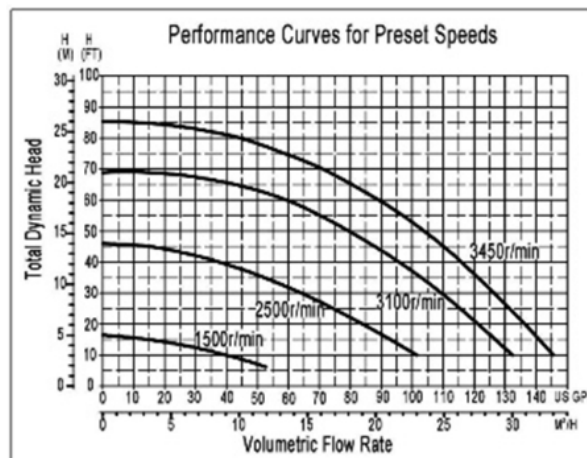
FB2010VS



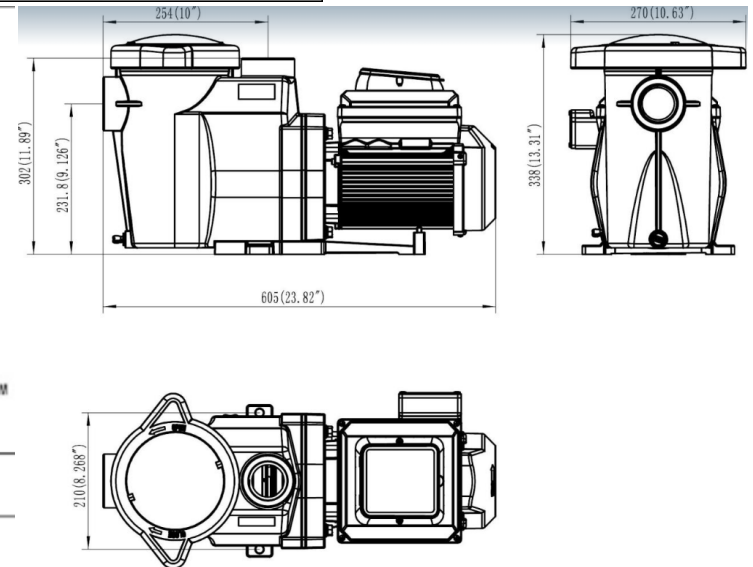
FB2015VS



FB2020VS



FB2030VS



**AQUASCAPE POOL TECHNOLOGIES**

123 Ottawa Street S., Unit 7,  
Kitchener, ON N2G 3S8

519-465-8272