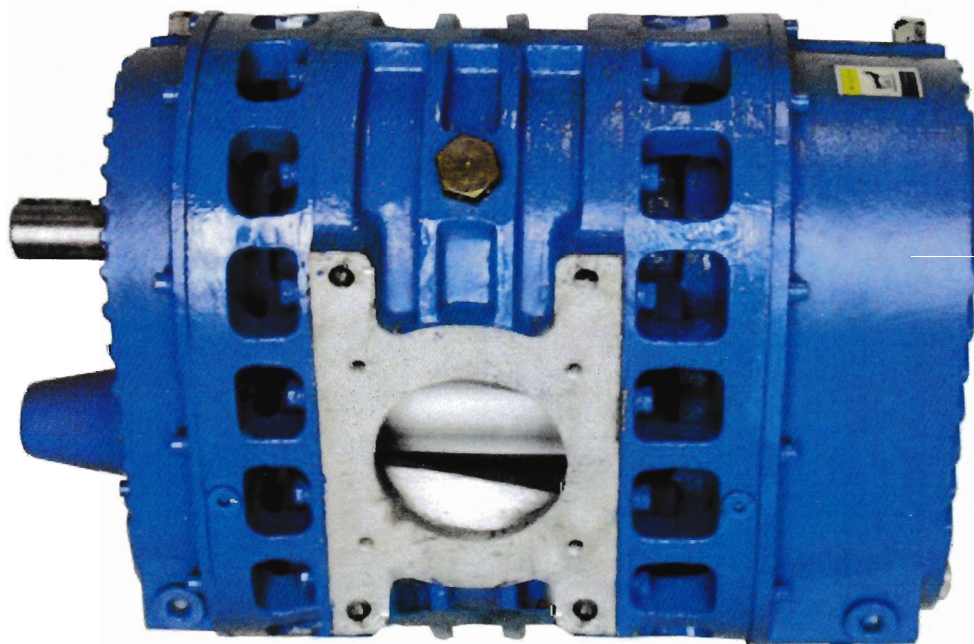




EurusBlower

Bulkmaster 6800 Series

Dry Bulk Truck Positive Displacement Blower



BULKMASTER 6800 Dry Bulk Truck Blower

The BULKMASTER 6800 is the most versatile truck blower available. Fitting a BULKMASTER 6800 on your tractor means it will be ready to do any job necessary, fine powders, food products, large pellets, vacuum loading, anything. Keep your fleet size in control and make dispatching easy. High-pressure capability and wide speed range make the BULKMASTER 6800 ideal for cement, sand, fly ash, flour, sugar, grain, pebble lime, plastic pellets and more.

Features

- 20 psi continuous duty pressure rating
- Oil lubrication at both ends reduces bearing temperatures
- Bearing isolators are applied to meet the sealing at high temperature
- Helical port design greatly reduces noise and smoothes out airflow
- Low noise tri-lobe rotor
- Computer designed ribbing on body, end plates, and gear cases provides cooler discharge temperatures
- Easy Installation with vertical mounting kit
- Twin drive shaft offers either direction of rotation and ensures correct alignment of drive shaft upon installation
- Packaged units available for on-site product transfer requirements

Safe from Heat and Pressure

- Plug relieves 5-6 psi along with a 60-80°F drop in temperature
- One plug fitted on suction side and one on the delivery side
- Audibly alerts operator when plug melts at 22 psi
- Allows continued operation at lower pressure
- Plug does not eject molten material upon activation
- Consistent release of temperature from each plug



Geared For Higher Efficiency

- Dynamically balanced efficient rotor for cooler operation
- Hardened teeth face for precision helical timing gears and taper-lock shaft mounting



Performance Specifications

Pressure Performance

Pressure	1800 RPM		2000 RPM		2200 RPM		2400 RPM		2600 RPM		2800 RPM		3000 RPM	
	PSI	CFM	HP	CFM	HP	CFM	HP	CFM	HP	CFM	HP	CFM	HP	CFM
2	584	8	654	9	728	9	802	10	877	11	945	12	1025	13
4	553	13	624	14	698	16	772	16	851	20	919	21	998	23
6	530	19	601	20	675	23	748	24	824	29	893	30	970	32
8	511	24	581	26	656	31	729	31	806	37	874	39	951	42
10	494	29	564	33	639	38	712	38	788	45	854	47	932	52
12	478	35	548	38	624	45	697	46	771	53	839	55	917	62
14	464	41	534	44	608	52	683	54	755	61	824	64	901	72
16	450	46	521	50	595	59	669	60	741	70	811	73	888	81
18	439	52	511	57	585	66	659	68	727	79	798	82	875	90
20	428	58	499	62	573	73	646	75	717	87	786	91	863	99

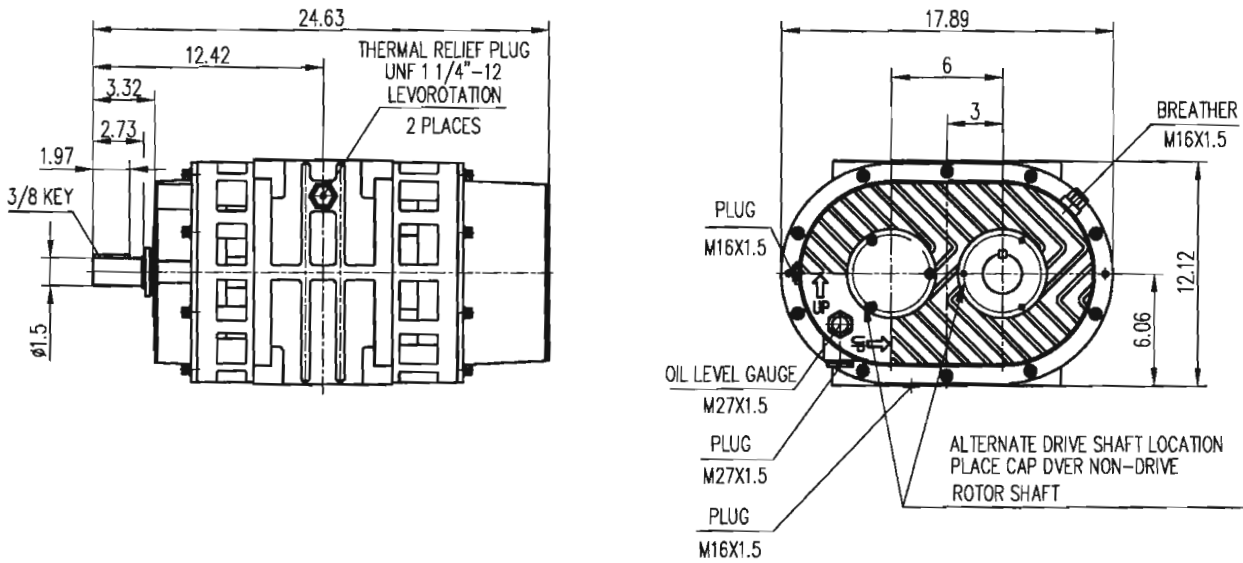
Vacuum Performance

Vacuum	1800 RPM		2000 RPM		2200 RPM		2400 RPM		2600 RPM		2800 RPM		3000 RPM	
	IN HG	CFM	HP	CFM	HP	CFM	HP	CFM	HP	CFM	HP	CFM	HP	CFM
2	606	5	699	5	740	6	820	7	897	7	966	8	1042	9
4	579	8	661	8	718	10	796	11	865	12	943	13	1018	14
6	550	10	623	11	694	13	772	14	832	16	921	17	994	18
8	532	13	605	14	676	17	749	18	821	20	900	22	974	23
10	514	16	587	17	657	20	727	21	810	24	879	26	953	28
12	487	18	563	21	635	23	704	26	787	28	855	32	930	34
14	459	20	540	24	612	27	680	29	763	33	832	36	907	38
16	440	21	519	28	574	30	662	32	743	36	811	40	886	42
17	422	24	498	30	541	32	642	35	723	39	790	43	864	45

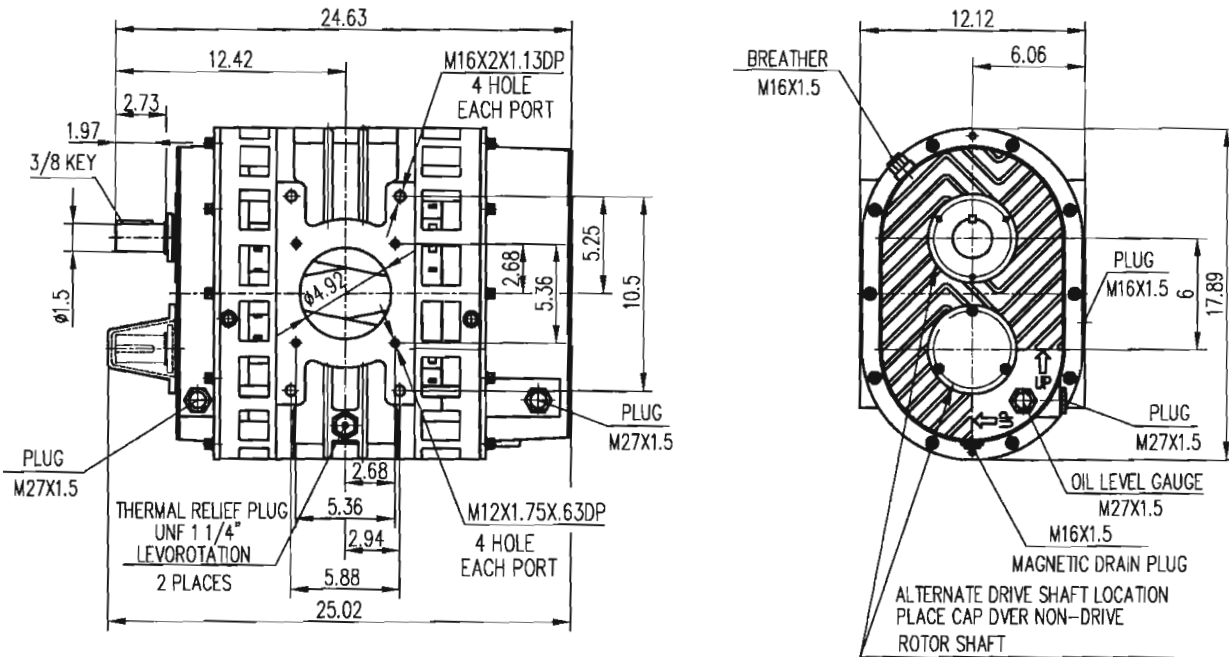
Notes: Performances based on inlet air at standard temperature 68 °F, ambient pressure of 14.7 psia and 36% relative humidity.

Dimensional Data

➤ Vertical Flow



➤ Horizontal Flow



Note: Dimensions are in inches except where noted