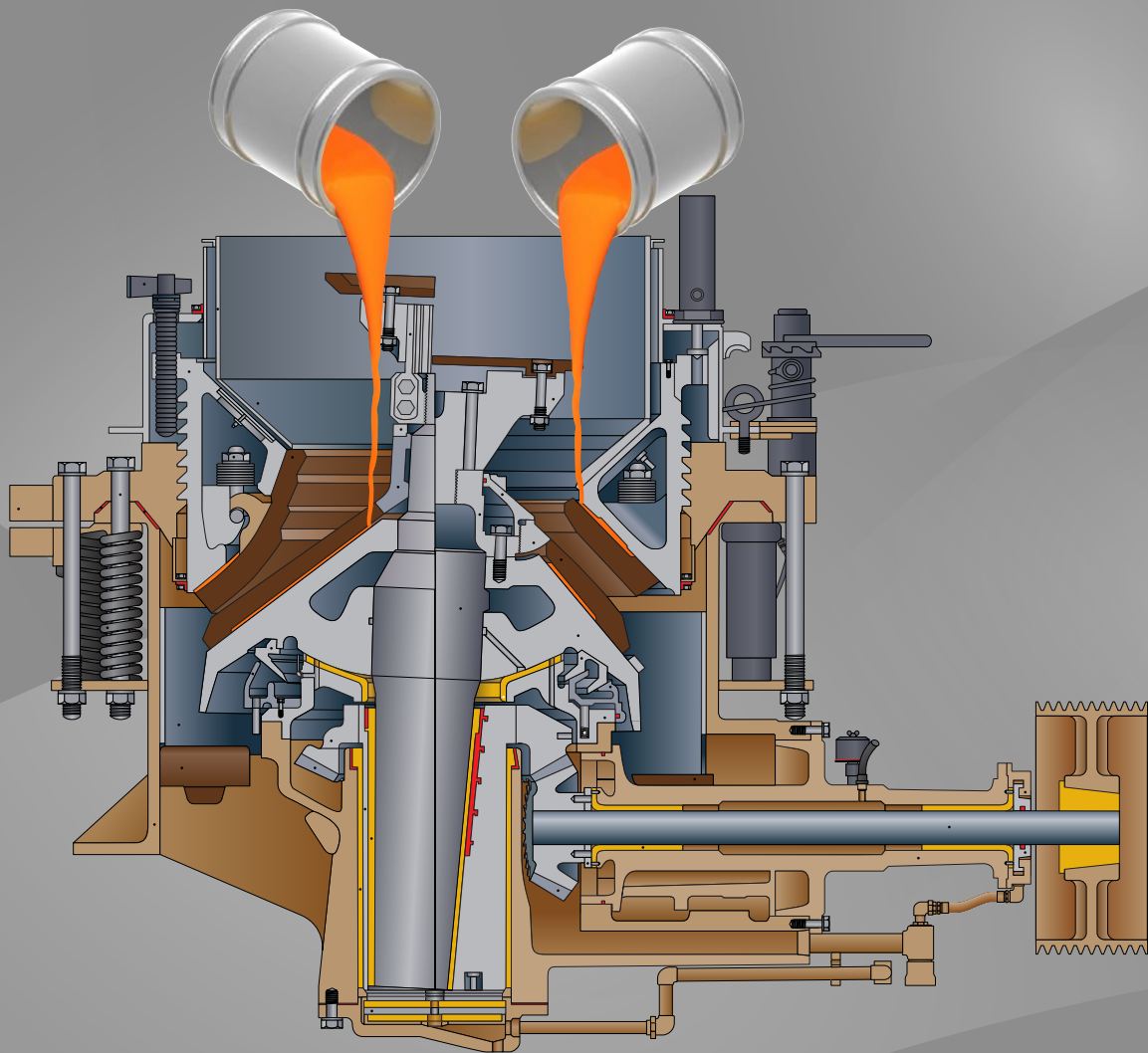


SEALEX™



BACKING COMPOUND





About

SEALEX AFP360 BACKING COMPOUND

A two component solvent free Epoxy resin compound that can be used for all crushing operations and more.

Uses

RECOMMENDED USES

Ideal for Cone Crusher, Gyratory Crushers, Rotating Mills, Pulverisers, Ball Mills and other applicable equipment.

Benefits

FEATURES

Non hazardous	Safe & easy to handle
Outstanding physical properties	Not affected by water
One product for all equipment	Tough and resilient

Advantages

ADDITIONAL FEATURES

100% Solid Epoxy compound	Non-flammable
Vibration & Impact resistant	Easy mixing & application
No melting or special equipment	Long life



TECHNICAL INFORMATION

Colour	Off White
Specific Gravity (g/cm ³)	1.6
Solids by Volume	100%
Compressive Strength	128Mpa ASTM D695-54
Flexural strength	48Mpa ASTM D638-61
Flexural stiffness	2100Mpa ASTM D638-61
Impact Strength	17J/M
Working Time	15 Min @ 25°C
Gel Time	20-23 Min @ 25°C

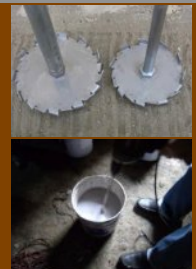


MIXING

- ☞ It is recommend to use a power tool above 400W and speed under 600rpm, double speed adjustable drill & disk stirrer.
- ☞ Stir component A with a power tool and about 1 minute by hand to create an even blend.
- ☞ Shake component B, adding to component A while stirring continuously.
- ☞ Move the power tool up and down for 2-3 minutes to achieve a uniform colour.

POURING

- ☞ A releasing agent should be applied to liners or bowl should adhesion no be required on those surfaces.
- ☞ Do not pour the liquid if not thoroughly mixed



SURFACE PREPARATION

- ☞ Should be free from rust, grease, old backing etc. To ensure adhesion and correct alignment of liners. Shot blasting is perferable. Substrate mus be dry

APPLICATION CONDITIONS

- ☞ Temperature of substrate shouldbe a minimum of 10°C & dry

CURING TIME

Curing time are affected by the temperature of the substrate and ambient air temperature.

The higher the temperature the faster the cure. ±4 Hours @ 25°C

STORAGE, PACKAGING, HEALTH & SAFETY

The product should be stored in dry conditions at 15°C-25°C. Spillage on skin can be washed with soap and water. Eyes should be flushed with water immediately and medical advice sought.

CONTACT



T: 029 61 818 / 61 707

sales@crushtechsystems.com
manganesecrushtech@gmail.com
www.crushtechsystems.com

4 Birkenhead Commercial Park,
43 Josiah Chinamano Road
Belmont, Bulawayo

