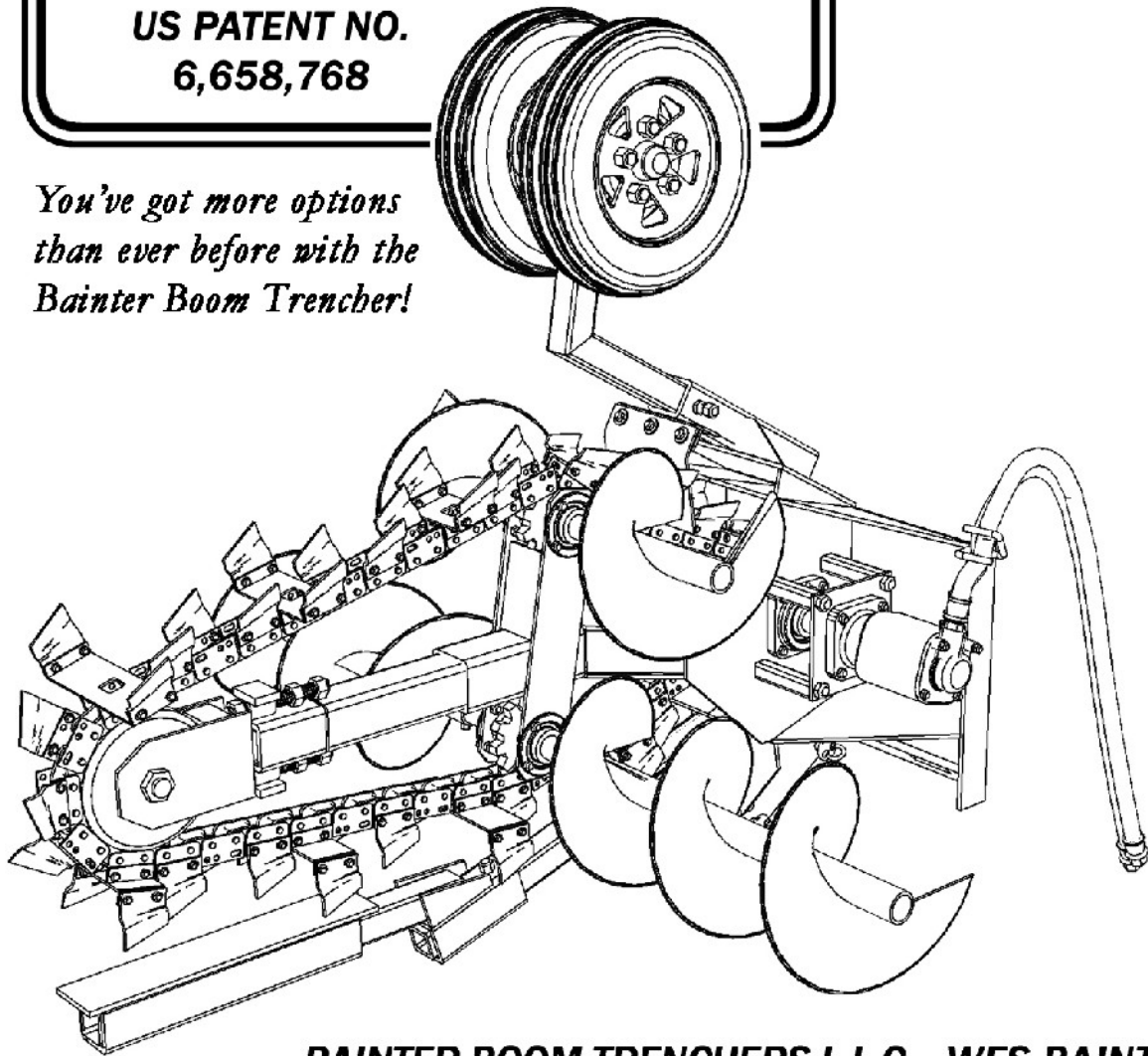


**BAINTER LETS YOU...  
dig forward . . . or backward**

**THE BAINTER  
BOOM TRENCHER**

**US PATENT NO.  
6,658,768**

*You've got more options  
than ever before with the  
Bainter Boom Trencher!*



**BAINTER BOOM TRENCHERS L.L.C. WES BAINTER**

**P.O. BOX 705 HOXIE, KS 67740**

**(785)675-3297 FAX(785)675-3649**

**[www.bainterboomtrenchers.com](http://www.bainterboomtrenchers.com)**

# **IMPORTANT SAFETY NOTES**

# **CAUTION!**

- 1. To avoid injury or death follow your skid steer manufacturer's operating and safety instructions whenever operating the skid steer.**
- 2. To avoid injury or death, should it be necessary to exit the machine while the booms are in the up position, follow the skid steer manufacturer's instructions for locking the boom arms.**
- 3. Before making any adjustments to the trencher turn off the skid steer and relieve any pressure that may be in the lines per your skid steer manufacturer's Instructions.**
- 4. Keep hands and feet clear of the trencher during operation.**
- 5. Always follow manufacturer's instructions whenever making adjustments or repairs to the trencher. Replace worn or damaged components. Use correct tools. Be sure that the trencher is secure and in a stable position.**
- 6. Bainter Boom Trencher, LLC, or its associates are not liable for accident, injury or death from the operation of this trencher.**

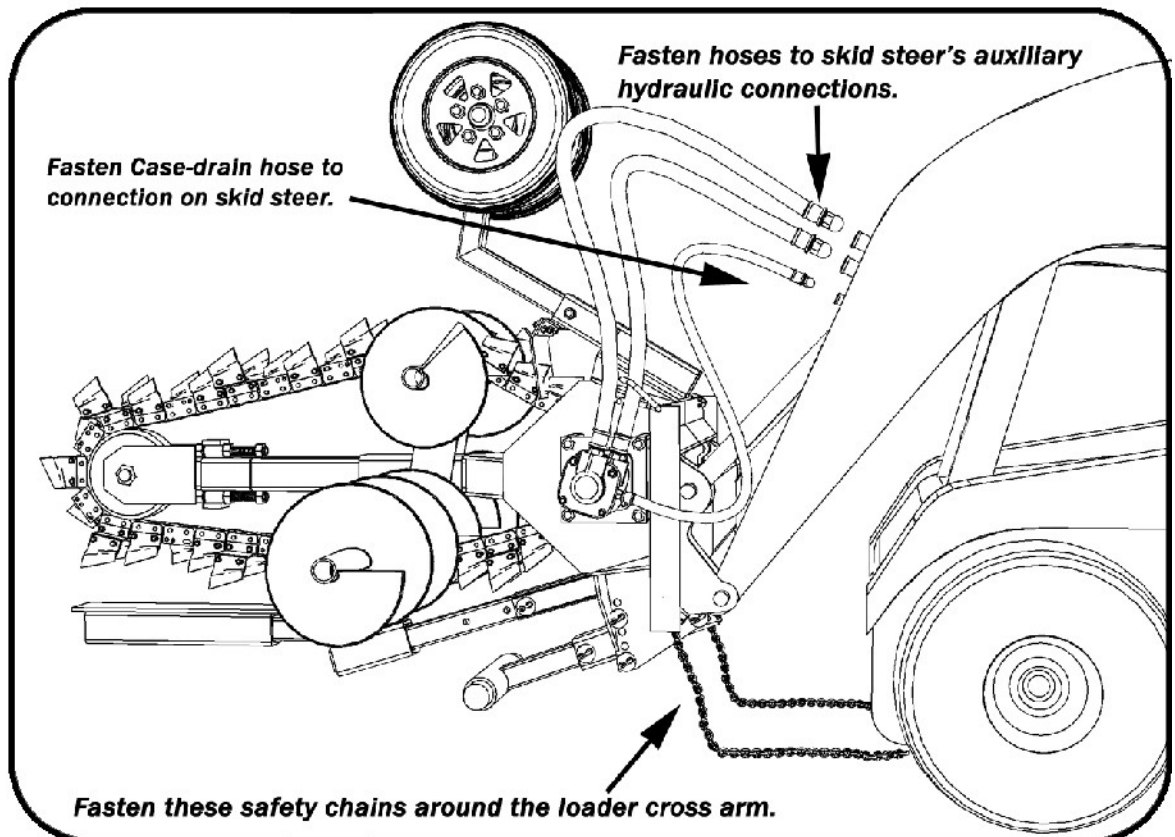
# TRENCHER MOUNTING INSTRUCTIONS

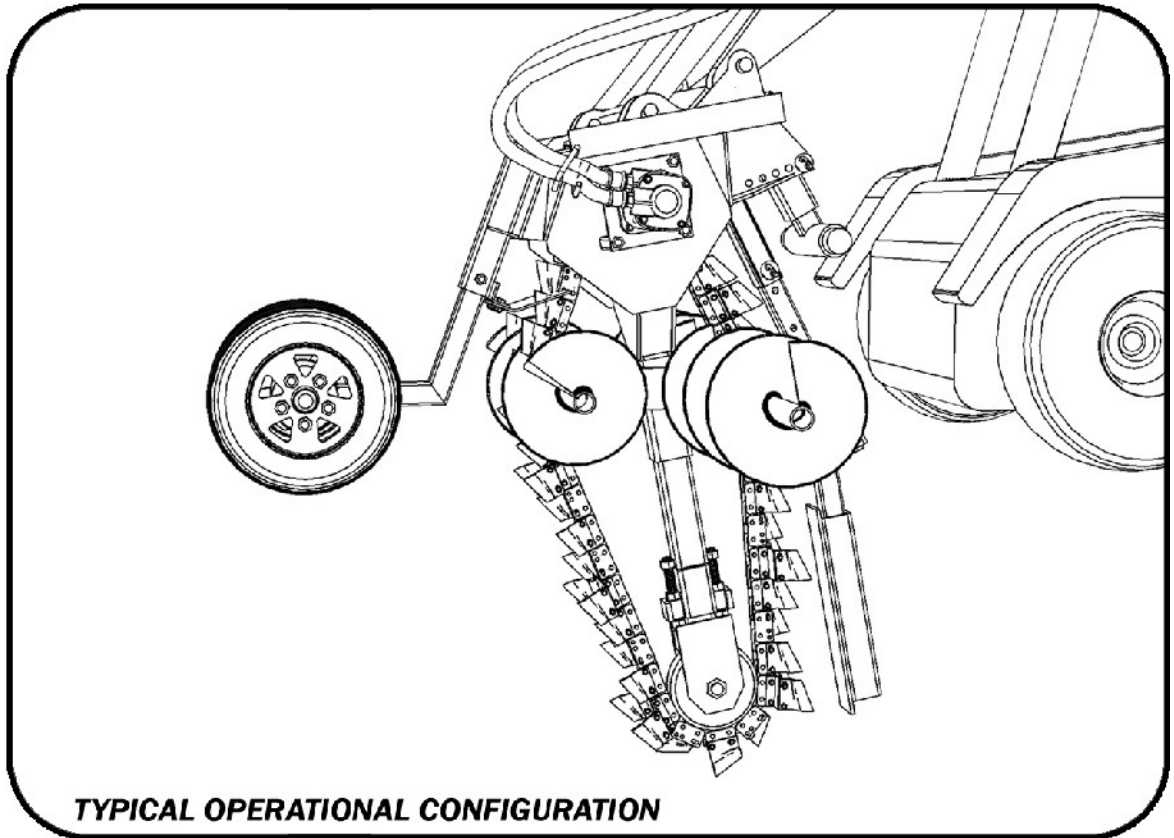
Your trencher is designed to mount to your skid steer using existing attachment mounting system. Please refer to the machine owner's manual for instructions on how to secure your trencher to your machine.

**CAUTION:** To avoid injury or death make sure that the locking mechanism on your skid steer loader is fully engaged so that the trencher is securely attached. Also, wrap the safety chain from the bottom of the trencher upwards around the cross arm of your loader frame and pin to the top of the trencher. Consult your skid steer owner's manual and observe all cautions.

**Hydraulic Connections:** Your trencher will come complete with a hydraulic motor and hoses as shown below. Hydraulic couplings vary between manufacturers; therefore your trencher does not come with couplings.

The case drain hose prevents excessive pressure in the trencher's hydraulic motor. A case drain is necessary if the skid steer's hydraulics exceed 28 gal/min. The case drain hose connects to the connection near the auxiliary hydraulic connections.





**TYPICAL OPERATIONAL CONFIGURATION**

## **CONFIGURING YOUR BAIENTER BOOM TRENCHER**

*Your Bainter Boom Trencher comes ready to run from the factory, however, the depth and width of the desired trench as well as the placement of the expelled soil depends on the configuration. The following sections describe how to obtain the results you desire.*

**Section 1: CHAIN ADJUSTMENT**

**Section 2: AUGER ADJUSTMENT**

**Section 3: SPOON ADJUSTMENT**

**Section 4: DEPTH WHEEL ADJUSTMENT**

**Section 5: PUSHER BAR ADJUSTMENT**

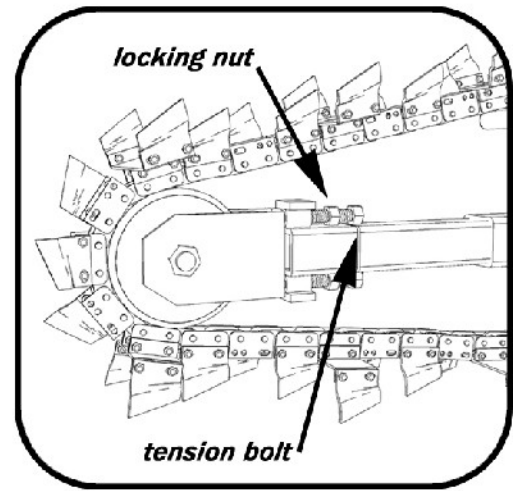
# SECTION 1- CHAIN ADJUSTMENT

## TENSION ADJUSTMENT

To adjust the tension of the chain loosen the two 1 1/8" locking nuts on the chain tensioner assembly. Turn the 1 1/8" tension bolts clockwise until desired tension is achieved.

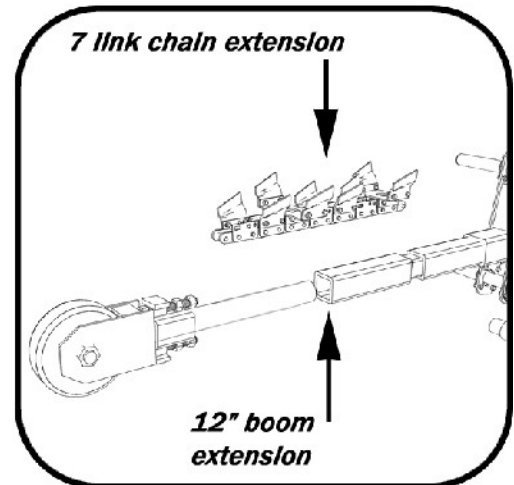
**NOTE:** Do not over tighten chain. This will result in premature wear and poor performance. A properly tensioned chain should have approximately 1"-2" of sag.

Tighten 1 1/8" locking nuts.



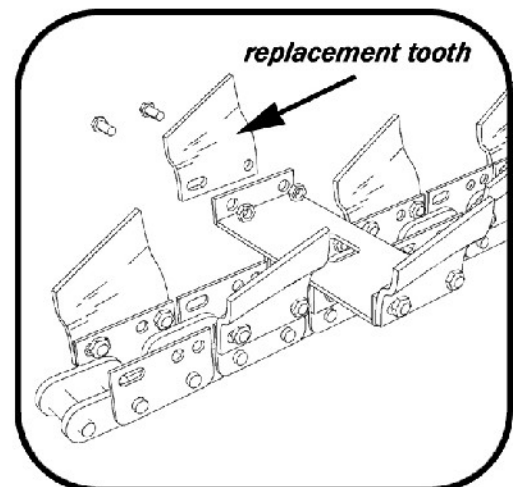
## CHANGING THE BOOM AND CHAIN LENGTH

To shorten or lengthen the chain, first release the chain tension (see Tension Adjustment). Locate the chain connection bolt and separate the chain. Slide tension adjustment assembly off the boom. Add or remove 12" boom extensions. Each boom extension requires 7 chain links. Reinstall tension assembly and set tension.



## TOOTH REPLACEMENT

Your Bainter Boom Trencher chain teeth are set at the factory for optimum performance. Before replacing teeth make a note of their correct sequence and position. To replace a tooth remove the two 3/8" lock nuts and bolts. Install new digger tooth and tighten bolts to 38 ft/lbs  $\pm$  5 ft/lbs.



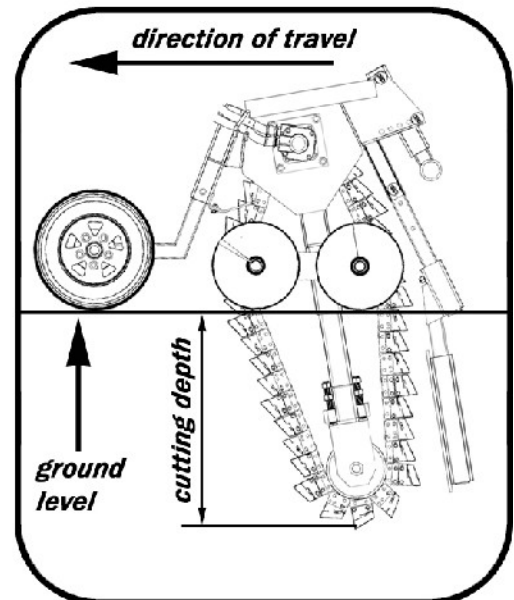
## SECTION 1- CHAIN ADJUSTMENT cont....

### CUTTING DEPTH

**NOTE:** Auger assembly should be approximately 1" higher than bottom of depth wheel to prevent auger from digging into the earth and robbing power from the chain digger. To set the cutting depth measure from the end of the chain boom to the bottom of the auger flighting.

To set the depth, adjust the auger assembly as described in section 2.

To set depth more or less than auger adjustment allows, add or remove chain boom extensions as described on the previous page.



### CUTTING WIDTH

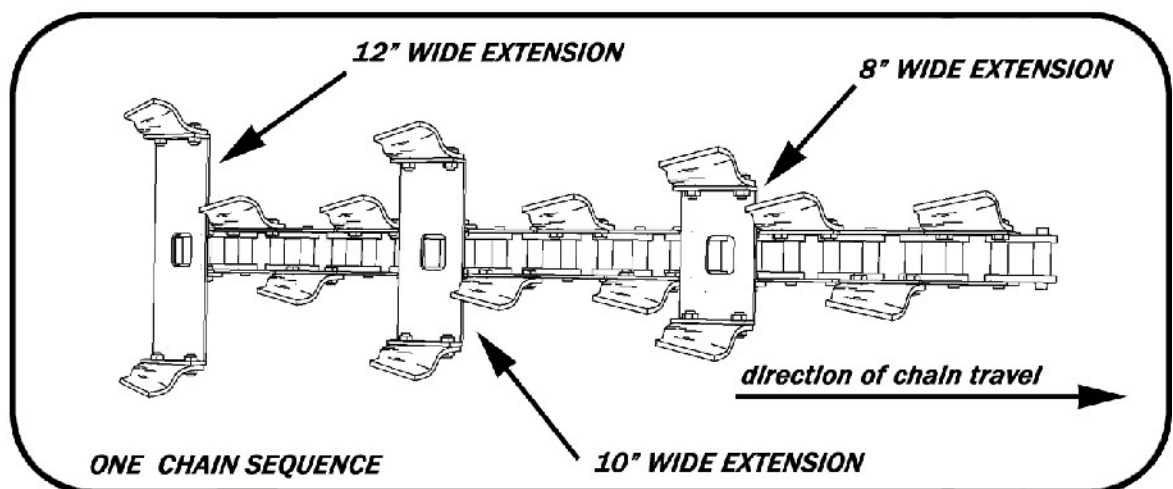
Your Bainter Boom Trencher comes from the factory set to trench 5" wide. Optional tooth and extension components allow for trench widths up to 12". Bainter offers 6", 8", 10", and 12" width extension blocks.

Width extensions are not to be installed on each chain length. Extensions are installed in repeated sequential order. Each sequence is to be arranged so that the smaller extensions cut first, leading the way for larger extensions. The frequency of sequences is dependant on the maximum depth of your trencher model.

3'6" max depth - 4 sequence repetitions

4'6" max depth - 5 sequence repetitions

5'6" max depth - 6 sequence repetitions



# **SECTION 2- AUGER ADJUSTMENT**

## **FASTENING THE AUGERS TO THE DRIVE AXLES**

*The augers are fastened to their drive axles with one 1/2" bolt per auger. The lock nuts on the bolts are tightened to 50 ft/lbs ± 5 ft/lbs.*

## **EXPELLING SOIL WITHIN THE WIDTH OF THE SKID STEER**

*To expel the soil within the width of the skid steer the rear (longer) augers are omitted. The shorter (front) augers are fastened to their drive axles.*

## **EXPELLING SOIL OUTSIDE THE WIDTH OF THE SKID STEER**

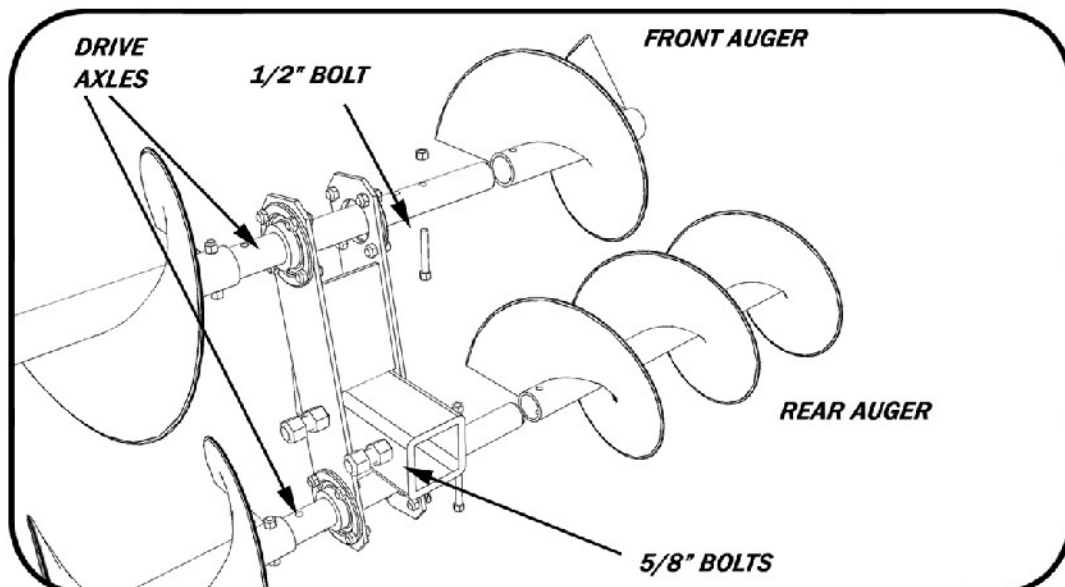
*To expel the soil outside the width of the skid steer both the front and rear sets of augers are fastened to their drive axles.*

## **ADJUSTING THE AUGER ASSEMBLY FOR DESIRED CUTTING DEPTH**

*Once the desired depth is determined (See section 1), adjust the auger assembly. Loosen the four 5/8" bolts that secure the assembly to the boom. Slide the assembly to the correct depth and retighten the bolts.*

## **ADJUSTING THE AUGER WIDTH**

*When digging a trench narrower than 6" the augers are bolted through the inner bolt holes in their drive axles. If the trench being dug is wider than 6" the augers should be bolted through the outer bolt holes in the drive axles.*



# **SECTION 3- SPOON ADJUSTMENT**

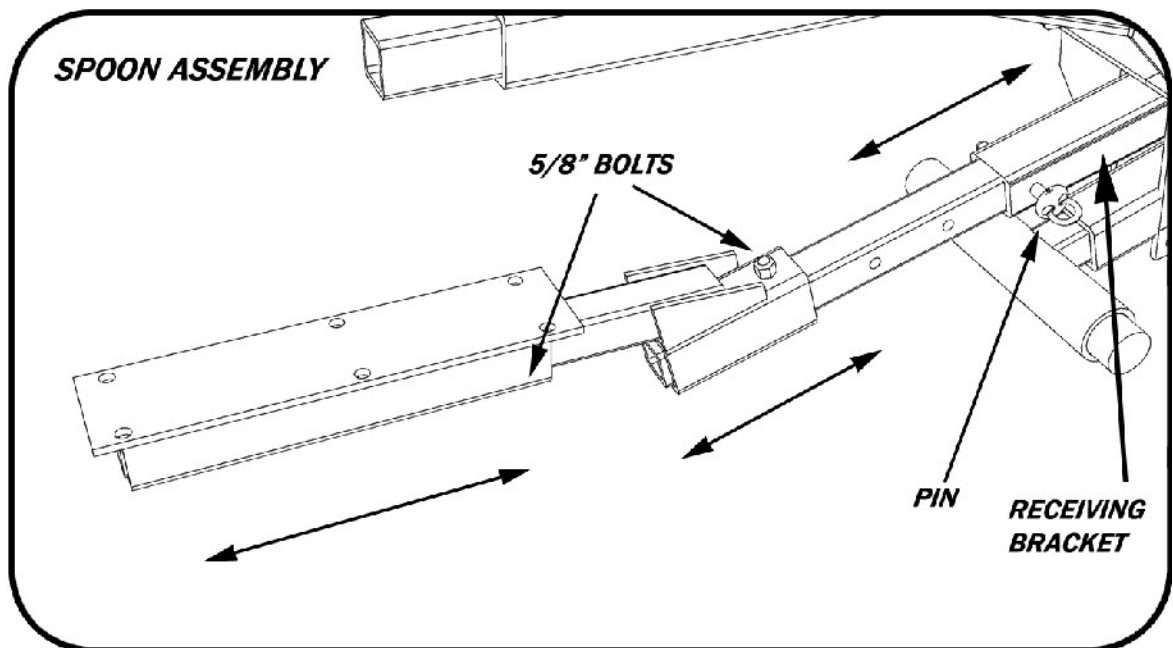
## **INSTALLING THE SPOON**

*The spoon assembly should be removed from the trencher before starting a new trench. Lower the trencher into the ground and begin trenching. After trenching approximately five feet, remove the boom from the trench, and position it horizontally to the ground. Turn off the skid steer.*

*Slide the spoon assembly into its receiver bracket and pin it in place. There are three holes through the spoon assembly tube. The length of the boom determines which hole the assembly should be pinned through. A 5'6" boom uses the hole closest to the end of the tube, a 4'6" the middle hole and a 3'6" boom uses the hole nearest the bottom.*

*After pinning the assembly in place it should be adjusted to fit correctly by loosening the two 5/8" bolts to move the end pieces of the spoon. Tighten these bolts after adjusting the pieces of the spoon assembly.*

*Properly set, the spoon should clear the teeth on the digging chain along its length by approximately 1".*



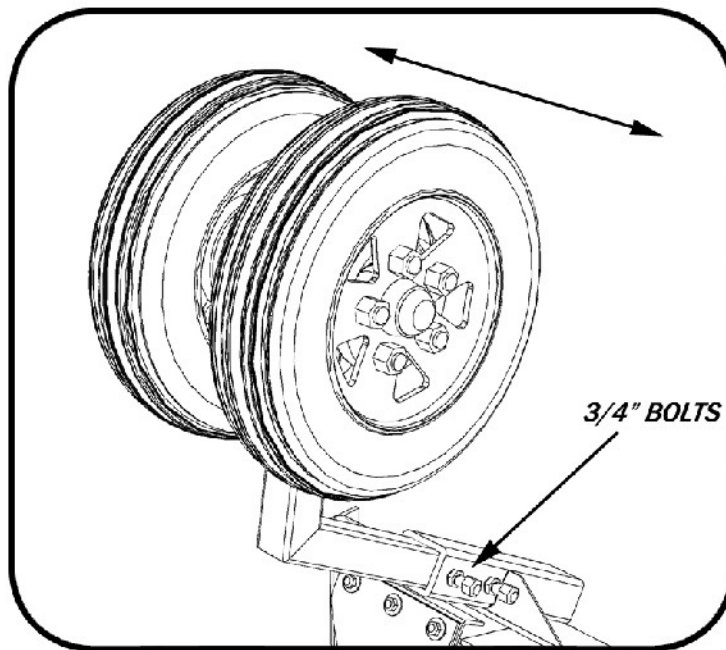


# **SECTION 4- DEPTH WHEEL ADJUSTMENT**

## **ADJUSTING THE DEPTH WHEELS**

*Once the desired cutting depth is determined, place a straight edge along the bottom of the augers out toward the position of the depth wheels.*

*Loosen the 3/4" bolts and slide the wheel mount assembly. Position the bottom edge of the depth wheels 1/2" below the bottom of the augers and tighten the 5/8" bolt. The 1/2" depth difference will prevent the augers from digging into the ground and robbing power.*



# **SECTION 5- PUSHER BAR ADJUSTMENT**

## **ADJUSTING THE PUSHER BAR**

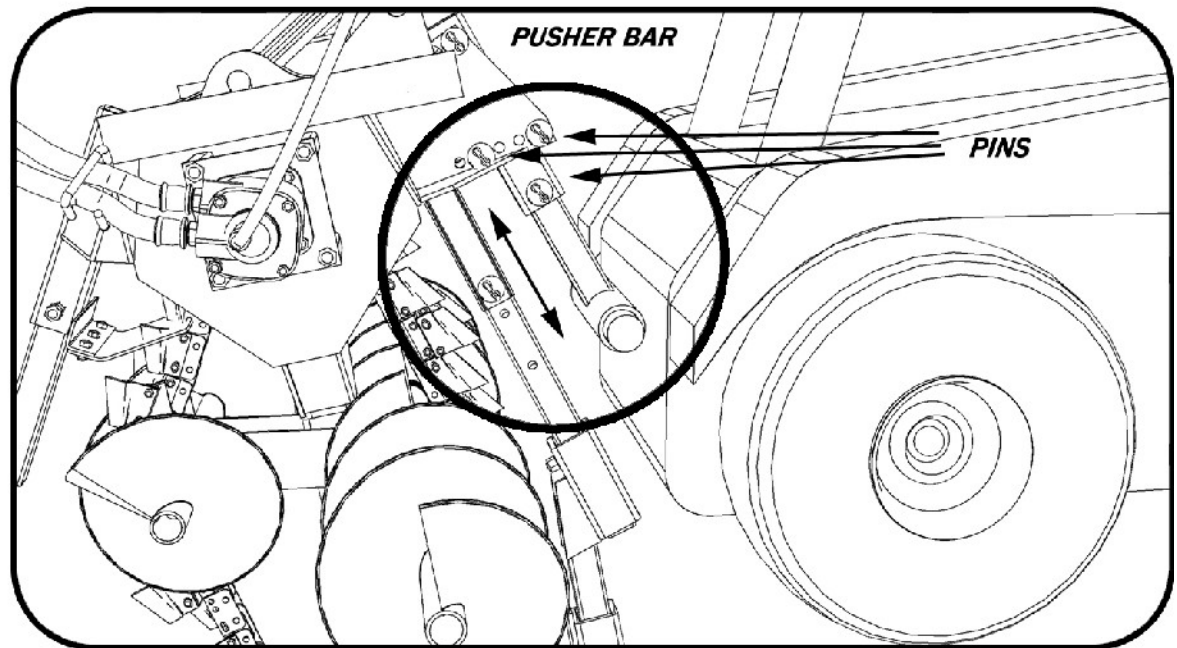
*The pusher bar is designed to brace the trencher against the skid steer when in use. This helps take strain off of the skid steer's hydraulic cylinders. To work most effectively it must be adjusted to firmly contact the frame of the skid steer.*

*If the trench being dug is less than 2' deep the pusher bar is optional.*

*Before the pusher can be set the cutting depth must be set (see section 1) and the depth wheels must also be set (see section 4). Start the trencher and lower it into the ground to the depth previously set (depth wheels on ground, augers 1" above ground).*

*Turn off the machine. Remove the pins that hold the pusher bar in place. Position the assembly so that the extension arm touches the frame of the skid steer. Replace the pins to hold the assembly in this position.*

*You are now ready to trench.*



# ***BANTER BOOM TRENCHER***

## ***LIMITED WARRANTY AND DISCLAIMER OF WARRANTIES***

Bainter Boom Trenchers, LLC, warrants its trencher against operational failures caused by defective material or workmanship, which occur during normal use within twelve months from the date of purchase or twelve months from the date the product is first put into service. Your sole remedy under this Warranty is repair or replacement of the part(s) that are determined by Bainter Boom Trenchers, LLC to be defective in material or workmanship. Any modifications (welding, cutting, etc.) to the trencher without proper authorization will void the warranty. All costs of part(s) removal and installation are at the customer's expense. Bainter Boom Trenchers, LLC does not warrant that its trencher will meet your requirements, nor does it assume responsibility for costs and/or damages resulting from use. Since mounting blank designs vary, the customer is responsible for proper fitting. Bainter Boom Trencher, LLC, or its associates are not liable for accident, injury or death from the operation of this trencher. There are no other warranties.