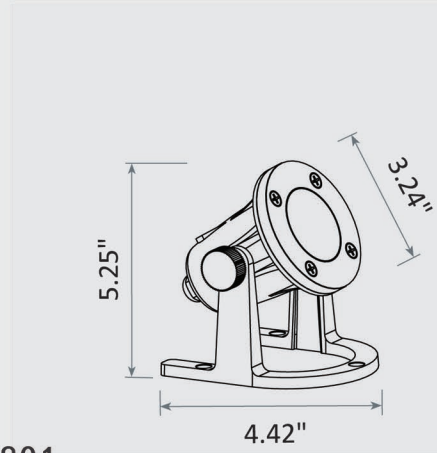




LT2801



Materials

Die-cast brass

Shroud

Precision machined. Flat shroud with captivated stainless steel screws. Accepts up to one additional lens/hex cell accessory.

Lamp

For use with a halogen lamp up to 50W MR16 Lamp. LT Tech LED lamps are available in 4W, 5W and 6W MR16, in 2700K and 3000K.

Lens

Shock resistant glass lens

Body

Precision machined from solid brass casting; Fully potted wire cavity provides water-tight seal.

Gasket

High-temperature silicone o-ring for a water-tight seal.

Warranty

Limited lifetime warranty

