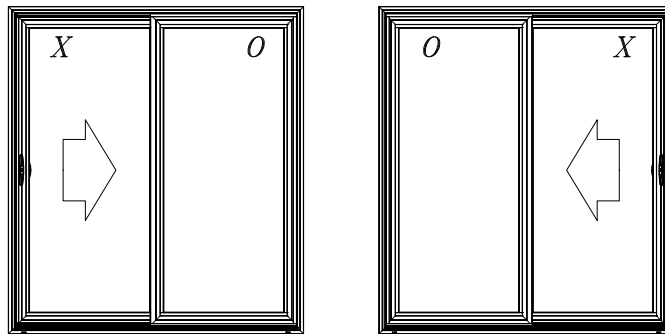
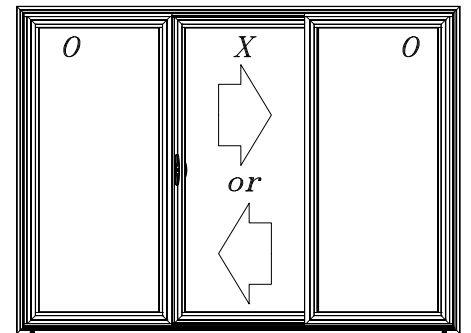
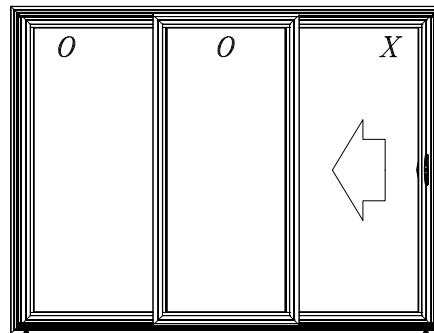
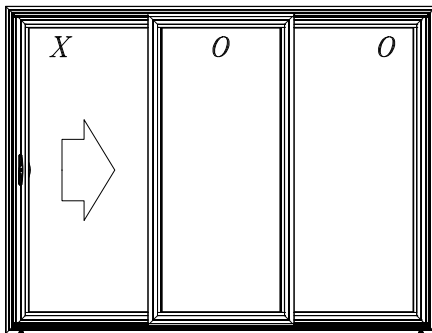




*Series 400 and 500
Vinyl Sliding Patio Door
XO, OX, XOO, OOX and OXO Patio Doors
Assembly and Installation Guide*



Two Panel Doors
(Pre-Assembled Doors Standard, KD Optional)



Three Panel Doors
(Pre-Assembled Doors Standard, KD Optional)

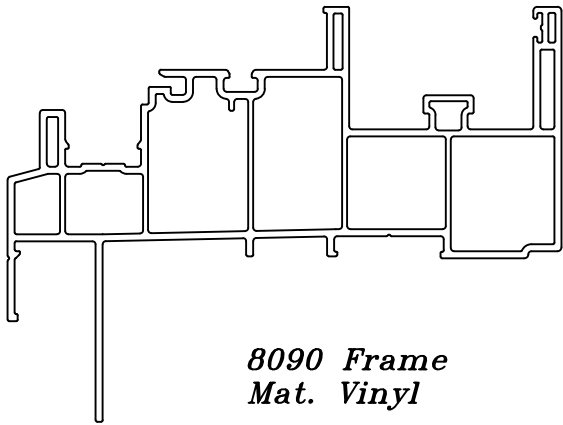
Table of Contents

<i>Table of Contents</i>	<i>2</i>
<i>Component Identification</i>	<i>3–3.1</i>
<i>Vertical Cross Section</i>	<i>4</i>
<i>Horizontal Cross Section</i>	<i>5–5.1</i>
<i>Inspecting the Opening</i>	<i>6</i>
<i>Preparing the Opening</i>	<i>7</i>
<i>Frame & Shim Installation</i>	<i>8</i>
<i>Anchorage Locations</i>	<i>9</i>
<i>Weeps & Drainage</i>	<i>10</i>
<i>Fixed Panel Installation (KD)</i>	<i>11</i>
<i>Installing Head Insert (KD)</i>	<i>12</i>
<i>Fixed Panel Anchors & Caps (KD)</i>	<i>13</i>
<i>Fixed Panel Snap-in Trim (KD)</i>	<i>14–14.2</i>
<i>Active Panel Installation</i>	<i>15</i>
<i>Installing Head & Sill Tread Insert</i>	<i>16</i>
<i>Installing head Track Accessories</i>	<i>17</i>
<i>Handle Set Installation Guide</i>	<i>18–18.1</i>
<i>Screen Installation Guide</i>	<i>19–19.1</i>
<i>Secondary Lock Installation Guide</i>	<i>20</i>

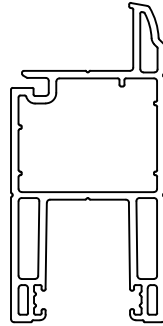
Important

Any fabrication procedures that are different from those mentioned in this document may alter performances and/or the quality of finished product.

Component Identification



8090 Frame
Mat. Vinyl



7508 Sash
Mat. Vinyl



Screen Rail
Mat. Alum.

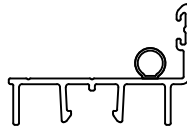
OR



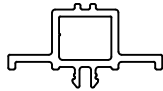
Screen Rail
Mat. Alum.



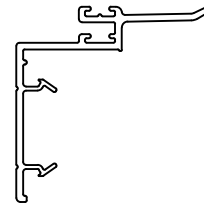
5772 Bead
Mat. Vinyl



8004 Insert
Mat. Vinyl



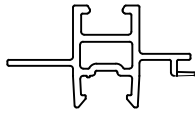
8001 Support
Mat. Vinyl



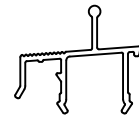
7056 Interlock
Mat. Vinyl



9790 Rail
Mat. Alum.



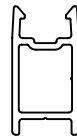
8021 Support
Mat. Vinyl



9791 Track
Mat. Alum.



8022 Support
Mat. Vinyl

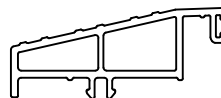


8002 Support
Mat. Vinyl

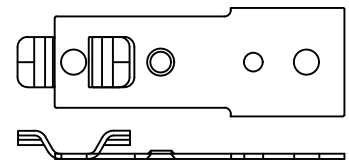
9831 9858 9859 Frame Anchors
Mat. Galvanized (Optional)



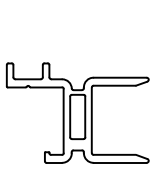
8012 Track
Mat. Vinyl



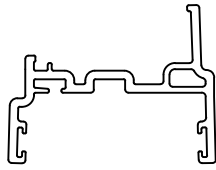
8011 Tread
Mat. Vinyl



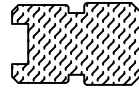
Component Identification for Multi Panel Application



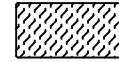
8015 Receiver
Mat. Vinyl



8005 Receiver
Mat. Vinyl



9882 Block
Mat. Wood



8930 Shim
Mat. Wood

Typical Screw Call Out



#8 x 2" Pan Head Screw (Silver)
(X4 For Head Insert Assembly)



#8 x 1-1/4" Pan Head Screw (Black)
(X4 For Head Weatherseal and Door Bumper)

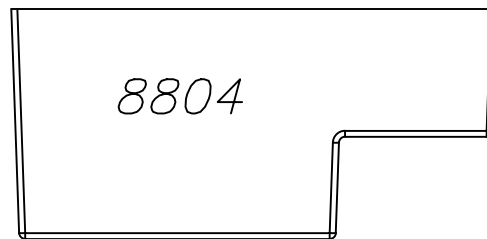


#8 x 7/8" Pan Head Screw (Silver)
(X4 For Fixed Panel)

Additional Parts

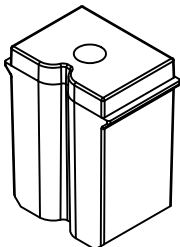


9667 Hole Plug



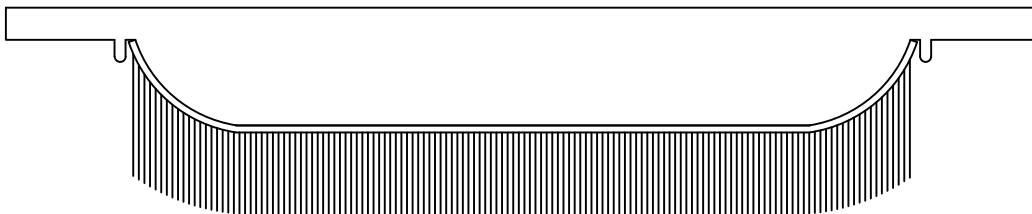
8804

8804 Door Bumper

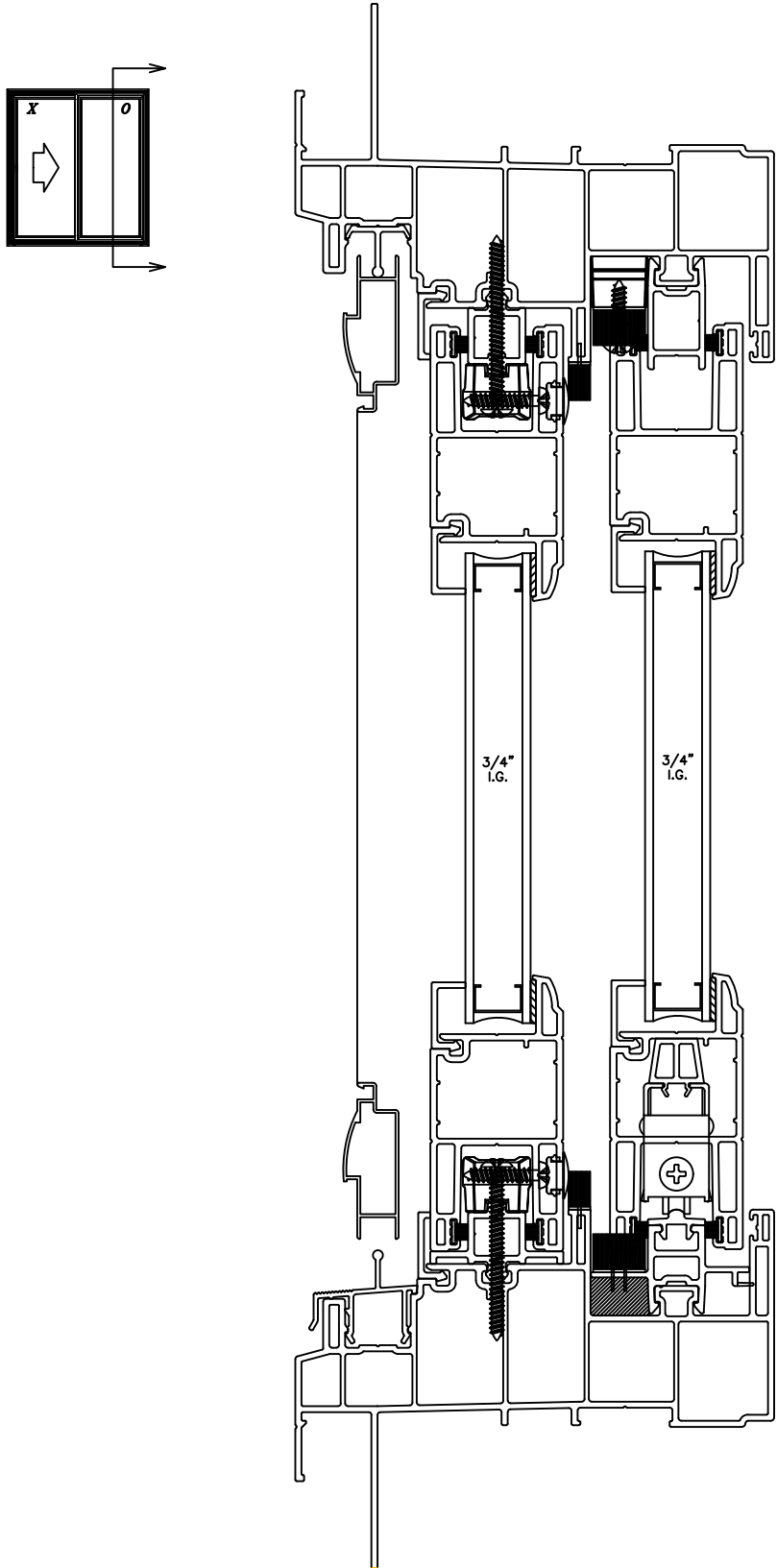


9150 Mortise Lock Cartridge Plug

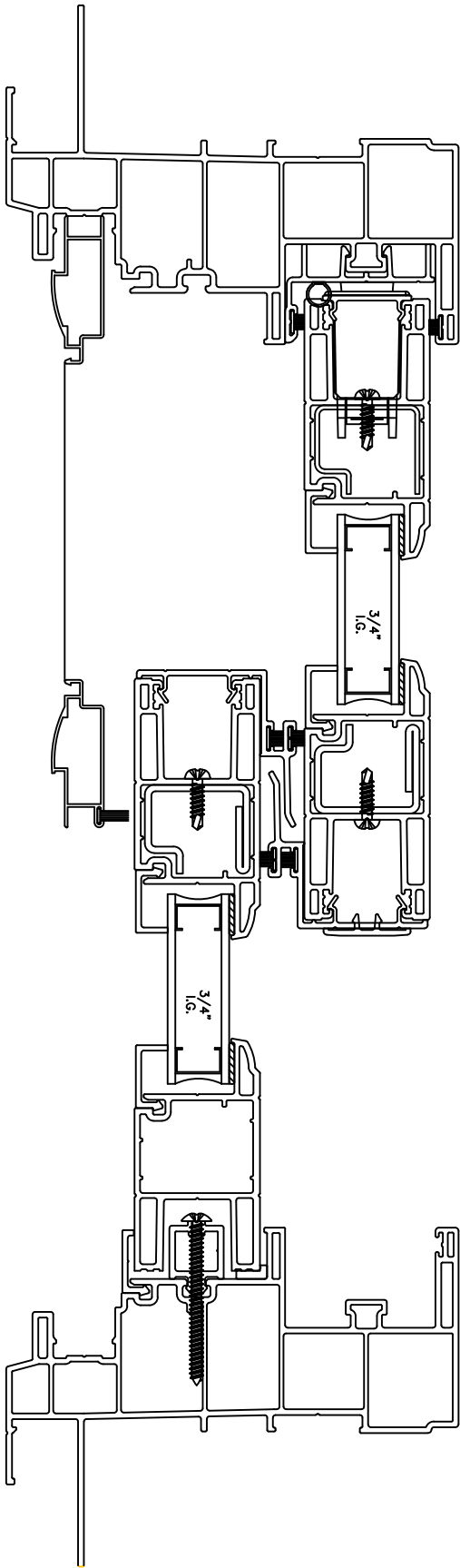
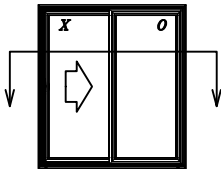
8803 Head Weatherseal / Anti-Lift



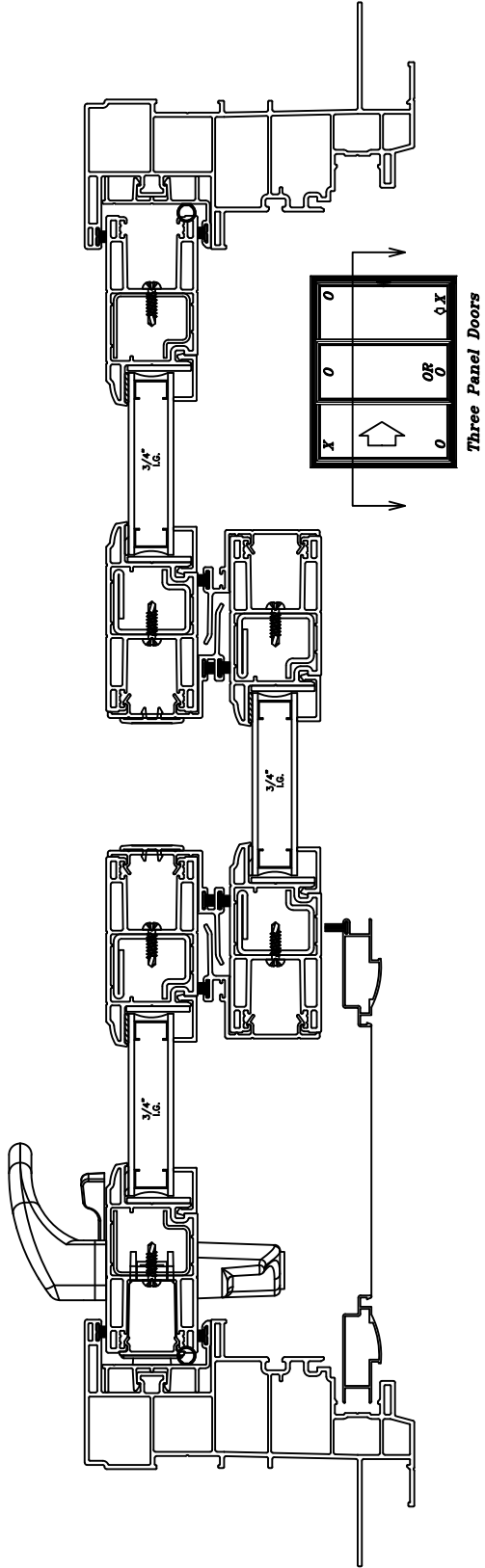
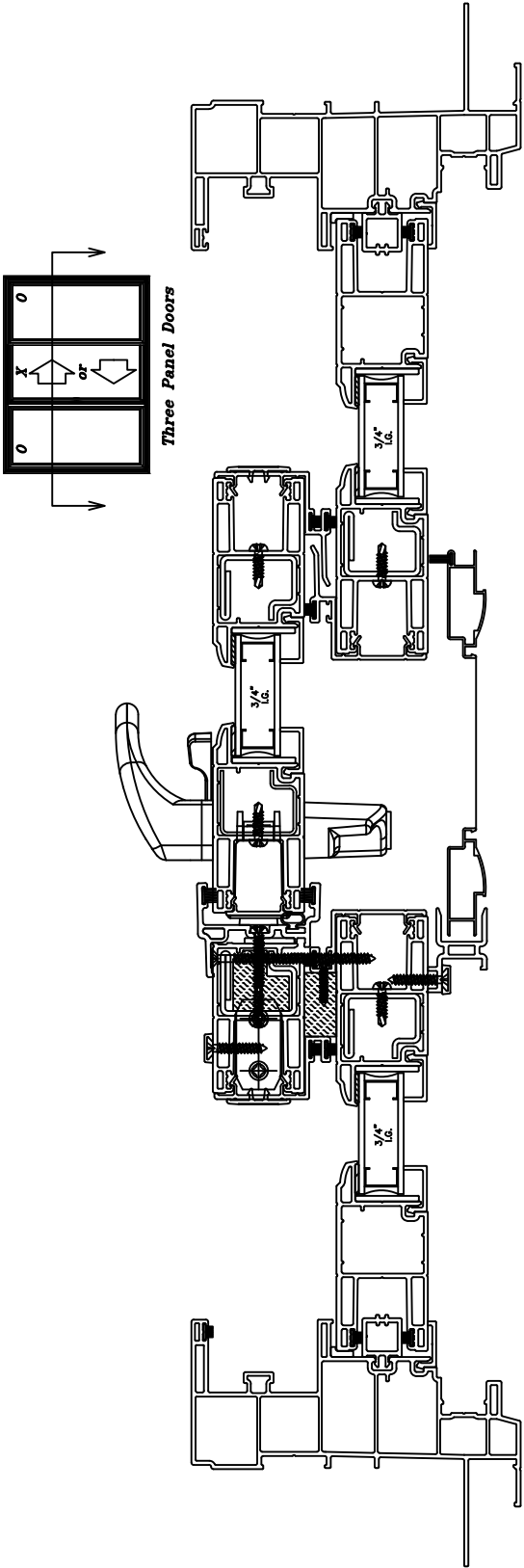
Typical Vertical Cross Section



Typical Horizontal Cross Section



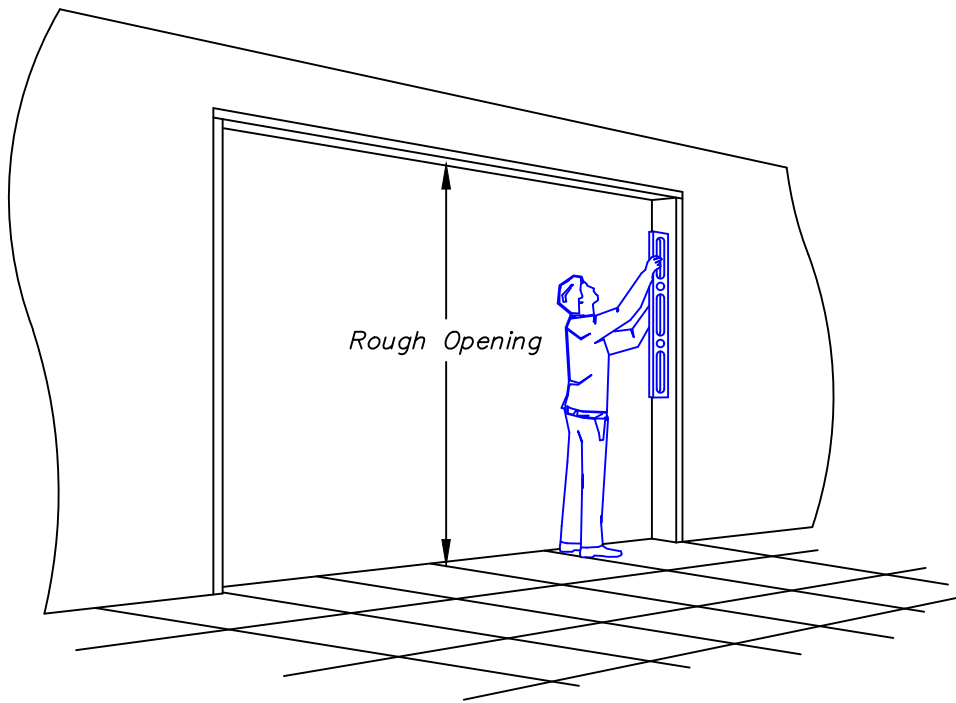
Typical 3 Panel Horizontal Sections



Inspecting the Opening

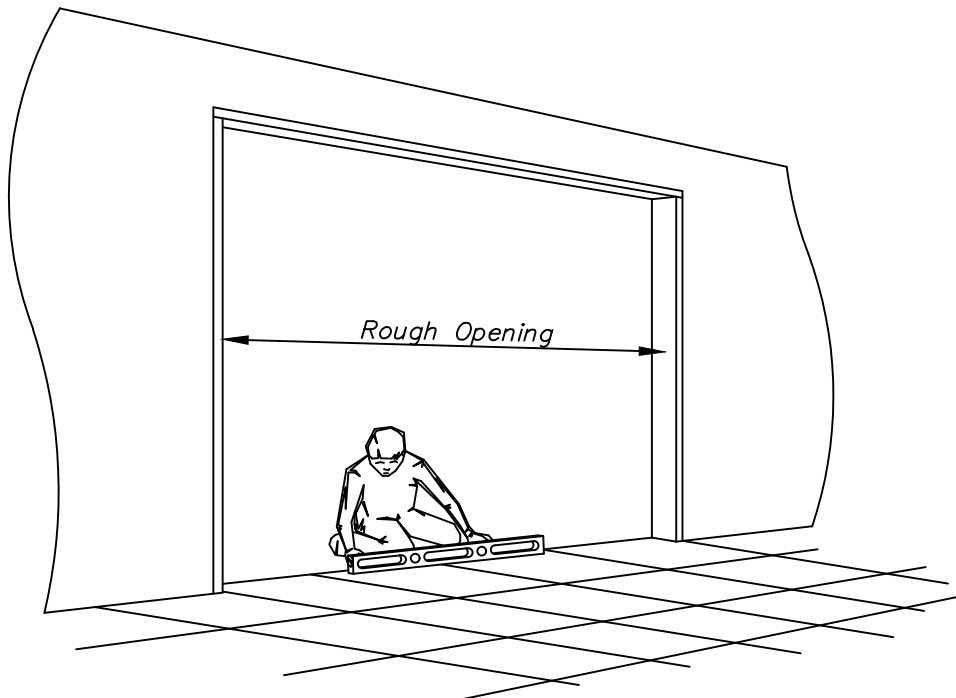
1)

Read instructions carefully before starting the installation. Make sure the new door is sized to fit into the Rough opening (allow 1/4" to 1/2" gap all around)



2)

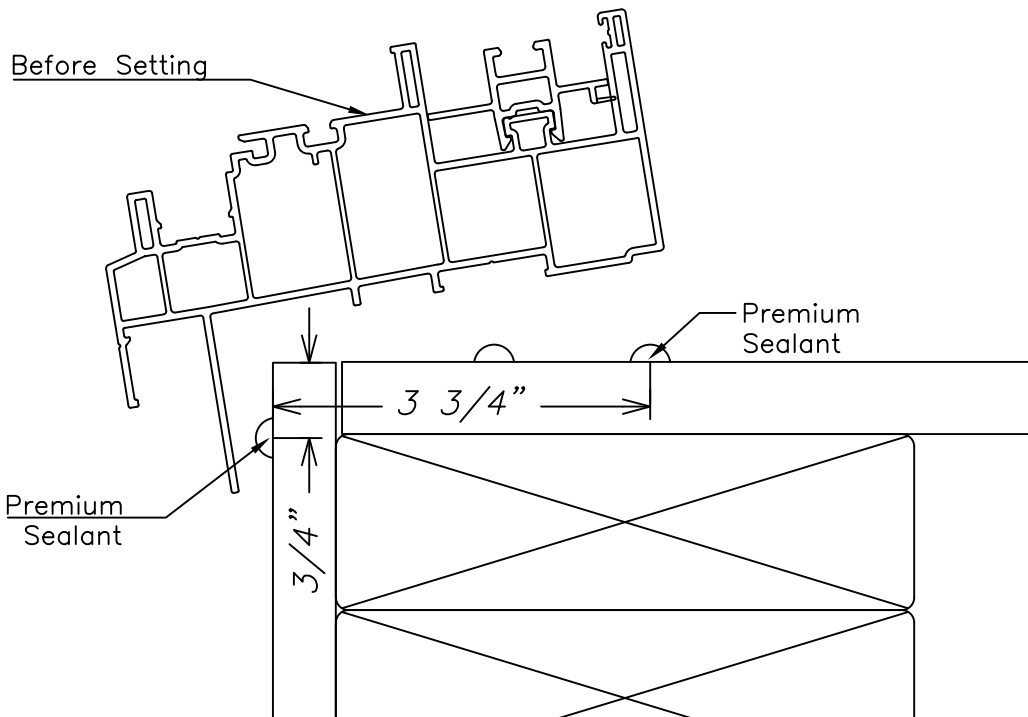
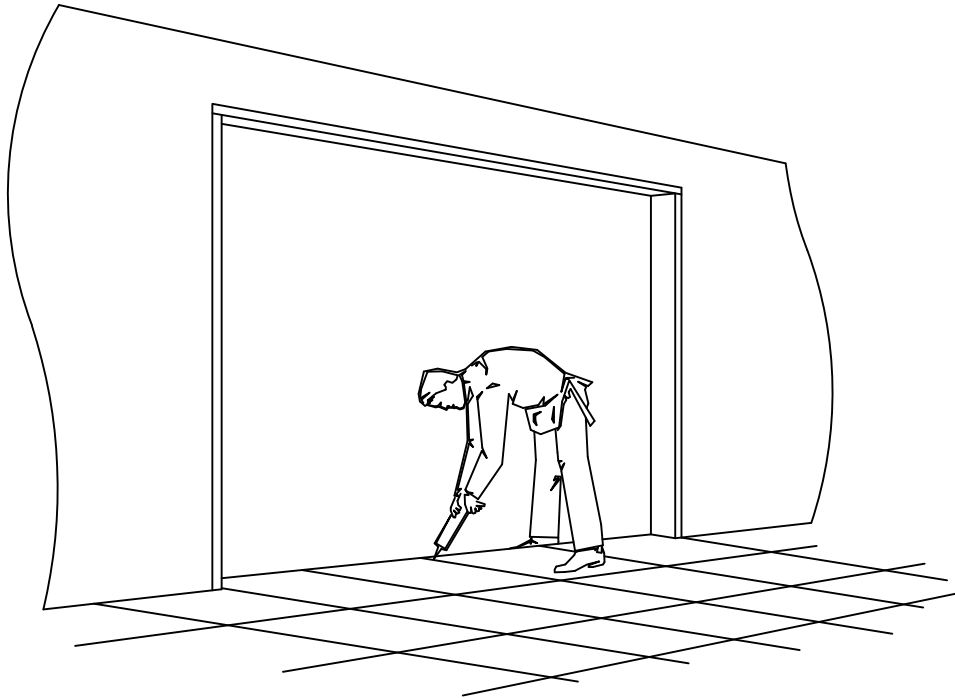
The performance of a door will be affected if the opening is too small or too large. A level sill is critical. Use a level to inspect the surface prior to installing the door. Note any areas that may need shims later in step 5.



Preparing the Opening

3)

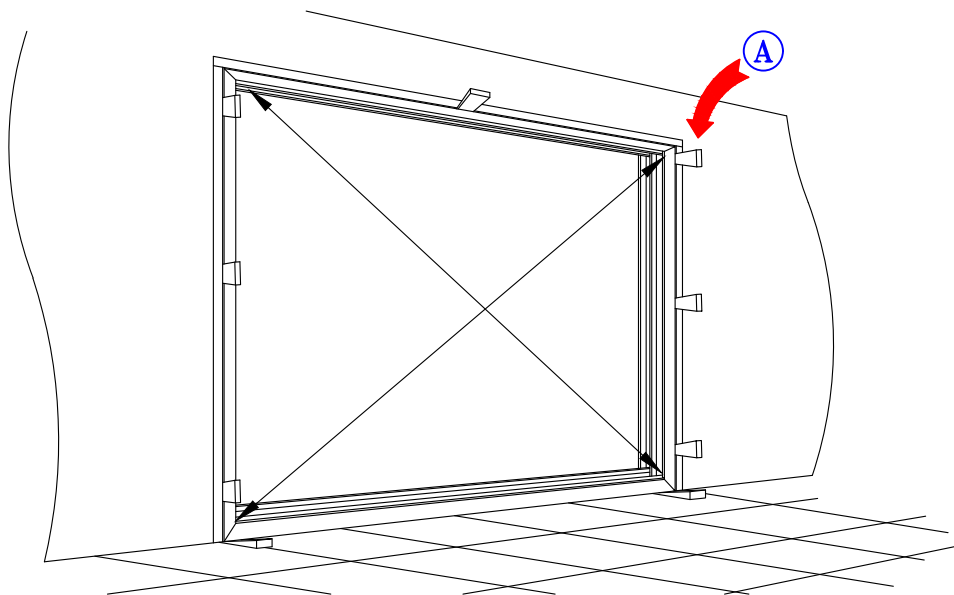
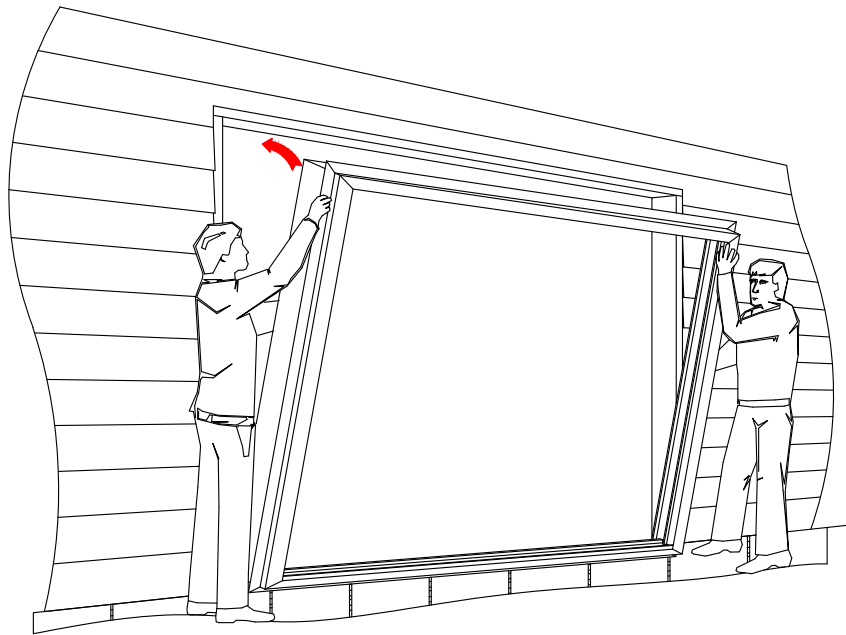
First lay a bead of Premium Sealant $3\frac{3}{4}$ " back from the exterior edge as shown below. Second lay additional beads between the first bead and edge. (As needed) Third, lay a face bead on exterior sheathing $\frac{3}{4}$ " out from the edge on all 4 sides of the opening.



Frame & Shim Installation

4)

Sill First, Set the door frame in the opening. Make sure premium sealant makes a perfect seal between the bottom of the door sill and the floor. Continue to raise the frame to plumb. Temporarily tack frame in place with roofing nails through the nail fin each side.



5)

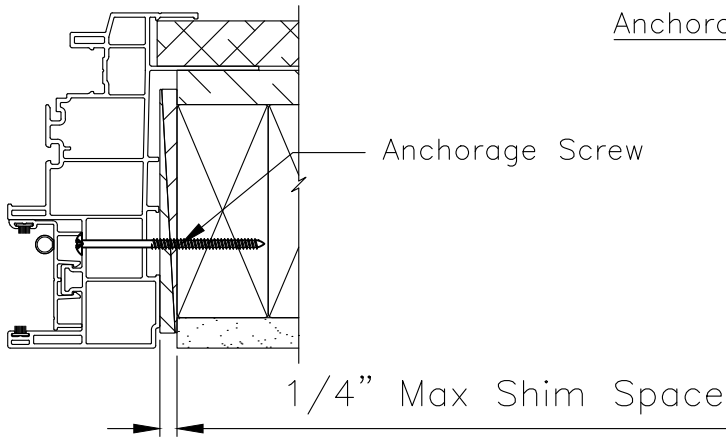
Shim the jambs (sides) of the frame as shown above. Once the door is centered in the opening, Starting in the corner at location(A), Place an anchor 6" down from the top (in the track shown in {fig1-3} pg9) and secure through the jamb next to the shim.

Measure the diagonals to ensure the door frame is square. Adjust shimming of the frame as needed.

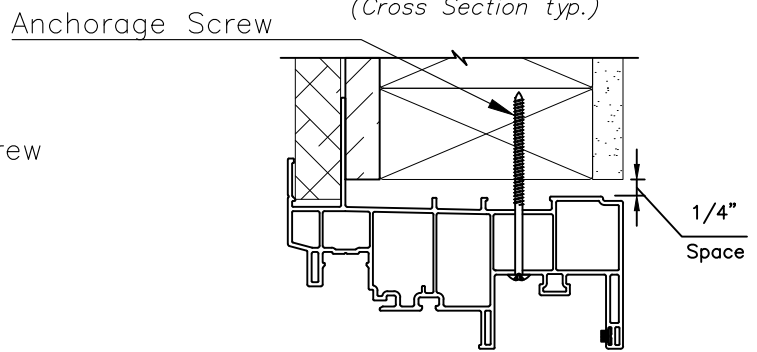
NOTE: Do not over-shim as it will cause the unit to bind and jeopardize the Performance of the door.

Anchorage Locations

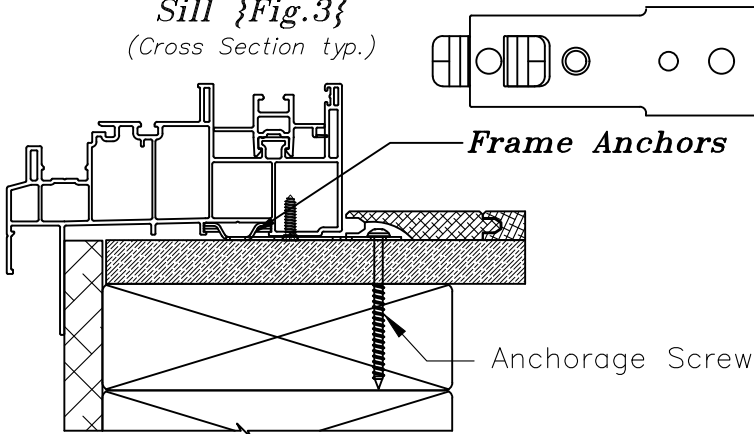
Jamb {Fig.1}
(Cross Section typ.)



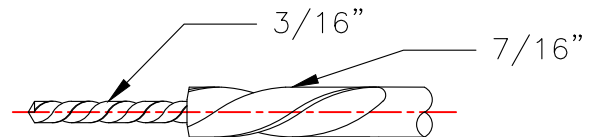
Head {Fig.2}
(Cross Section typ.)



Sill {Fig.3}
(Cross Section typ.)



Step Drill Bit {Fig.4}



- * Step Drill NOT required in all locations. *
- * In substitution for the Step Drill Bit. *
- * Start with a 3/16" Drill bit and drill through all walls. Then switch to 7/16" bit and drill through first wall only for hole plugs. *

6) Using a special step drill bit {fig4}, drill the installation holes following the Diagrams located on the Wincore Web site. Please follow the Qr Code below.

Anchor with screws and cover with plastic screw caps.

Note: In order to prevent any water infiltration, screwing through the sill is not recommended. Please use anchor straps shown in {Fig3} to anchor sill in locations shown.

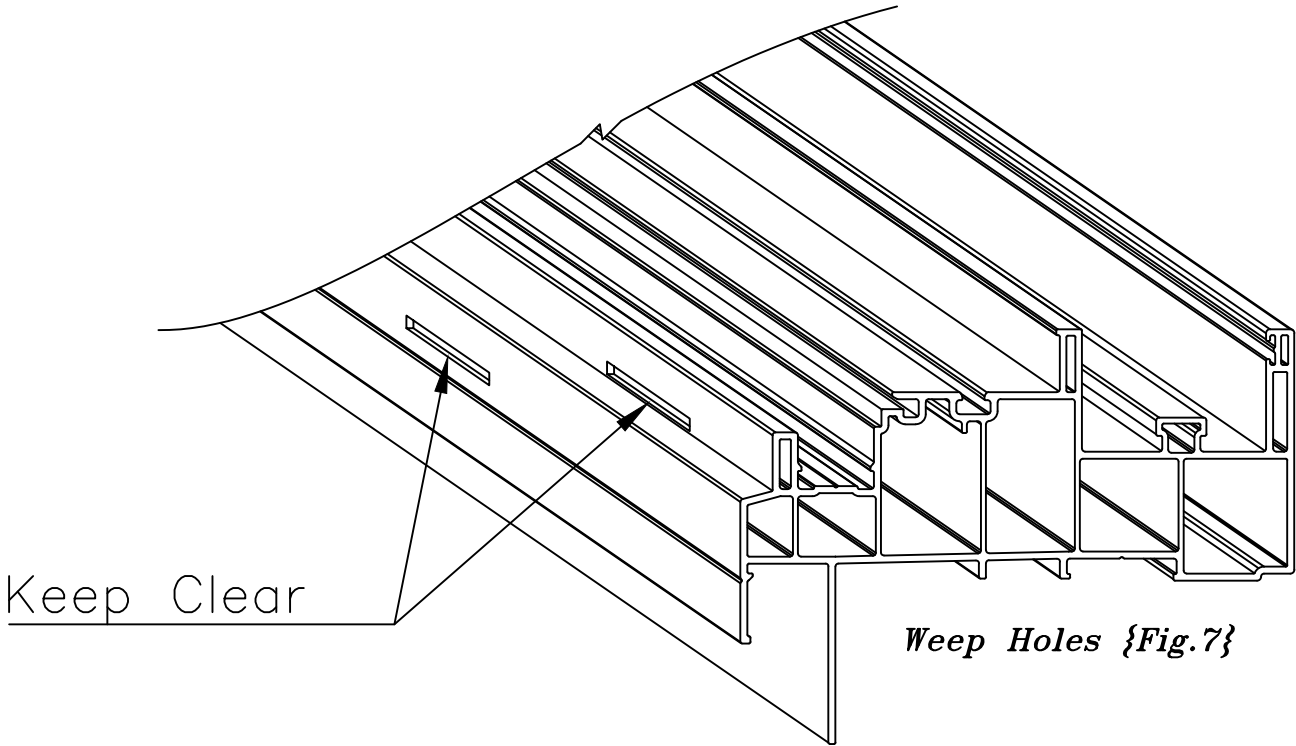
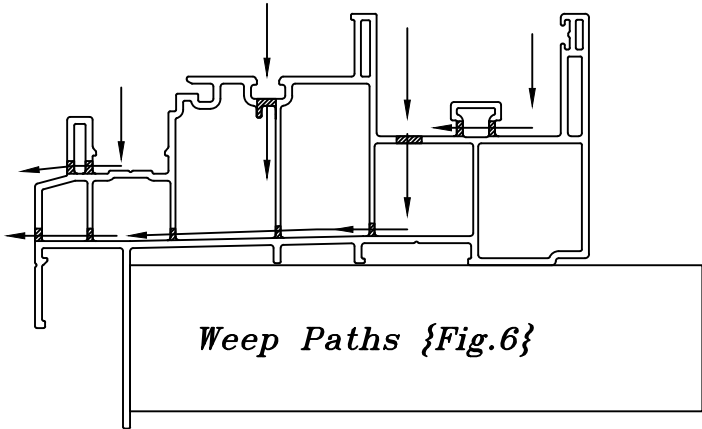
Caulk and finish the exterior of the door to ensure water tightness between the rough opening and door frame. Finish interior of the door.

Weeps and Drainage

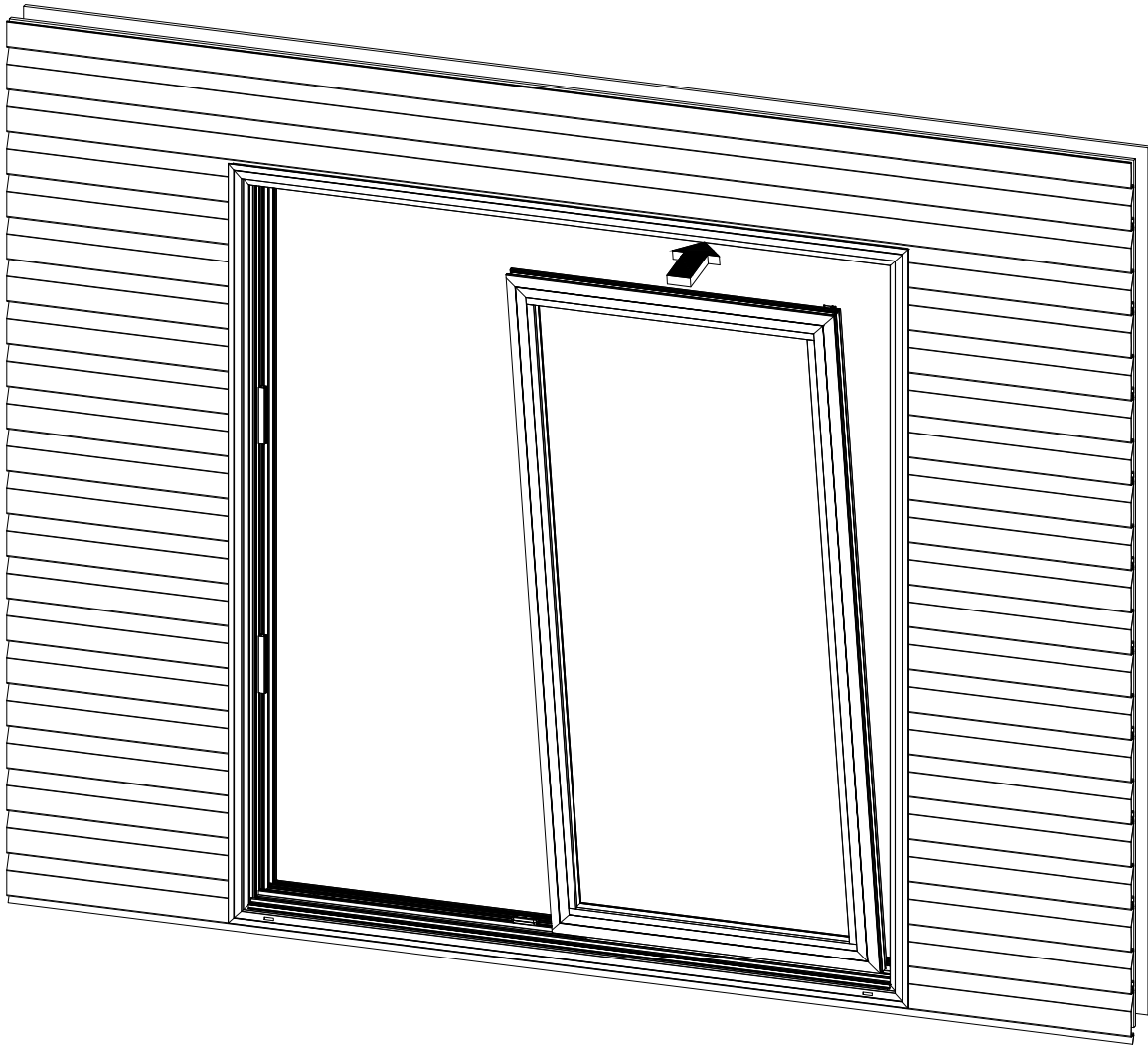
7)

Weeping: During some Weather events water may be seen in the tracks of the sill. This is a normal occurrence. Your sills are prepared with pathways for the water to escape. Shown in {fig 6}.

To Help this process the weep holes should be kept clear and should NEVER be caulked shut. {Fig 7}



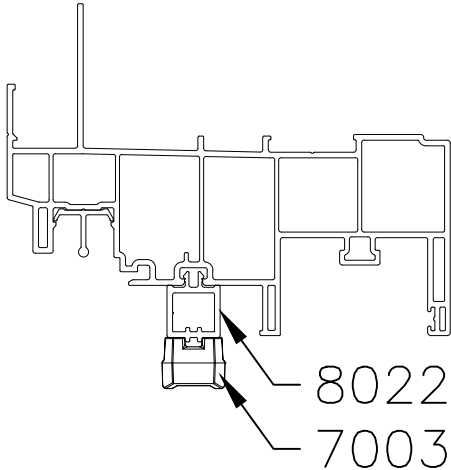
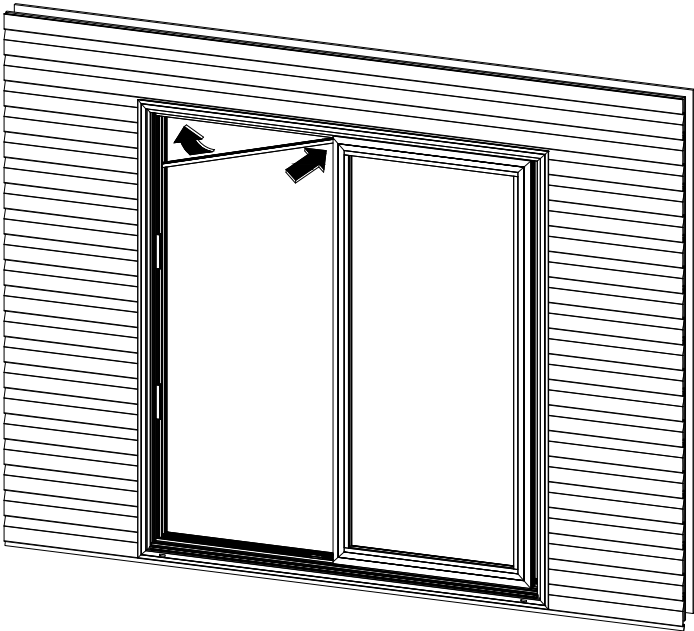
Fixed Panel Installation (KD)



8)

When Finishing KD (Knock Down) doors. After the frame is secured into the opening. Set the bottom of the fixed panel into sill, and tip to the vertical position as shown above.

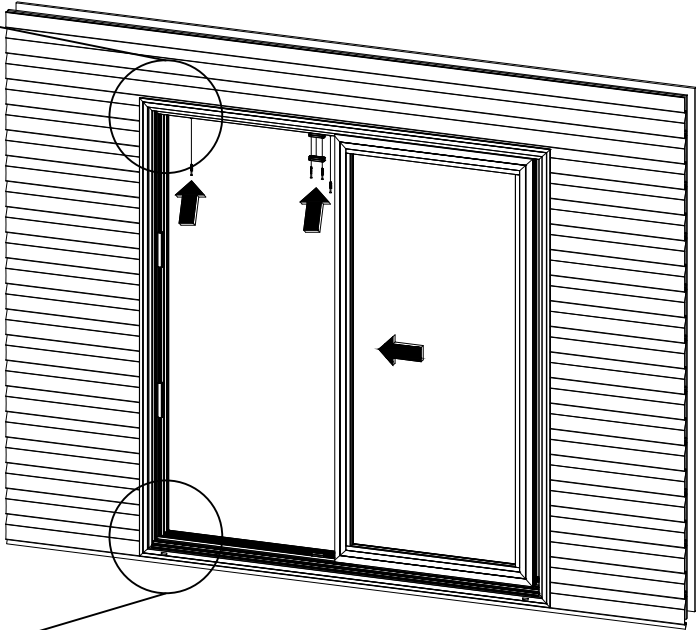
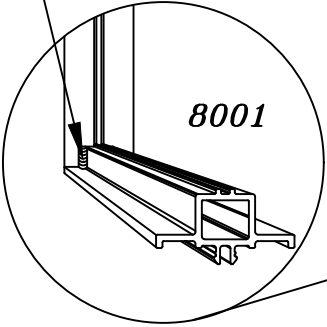
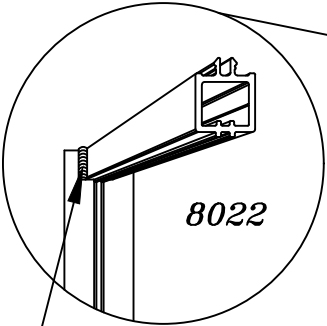
Installing Head Insert (KD)



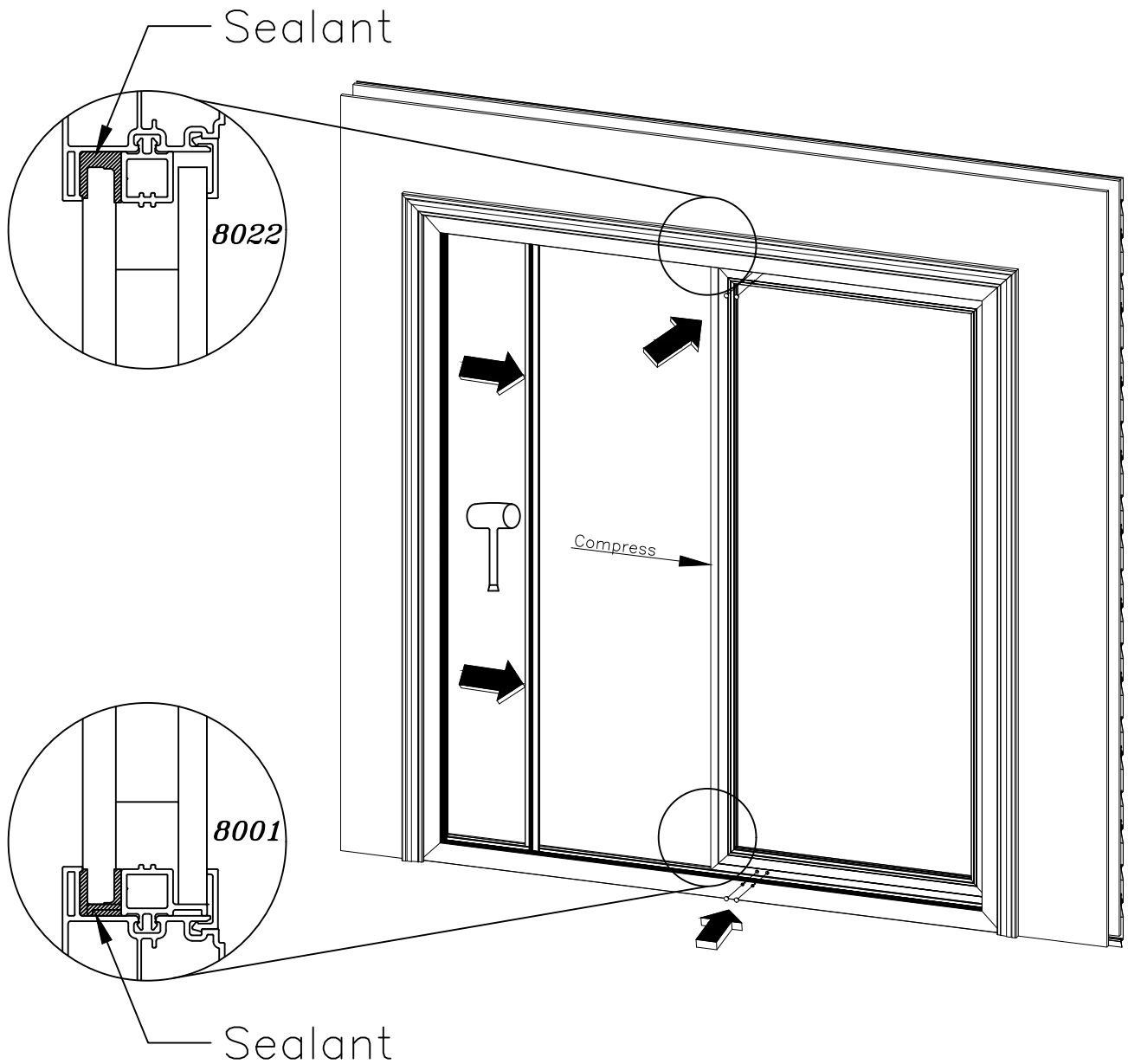
9)

While bracing the sash in place, attach head insert 8022 Support w/7003 anchor block. Secure with (4) #8 X 2" Pan Head Screws (Silver) one at each end and two in the 7003 anchor block. Add Sealant at top 8022 & bottom 8001 Supports as shown. When finished slide fixed panel over blocks and press firmly into jamb. (Shown Below)
Note: It may be necessary to install the last screw through the end of 8022 at an angle once the fixed panel is slid into place.

Sealant



Fixed Panel Anchors & Caps (KD)



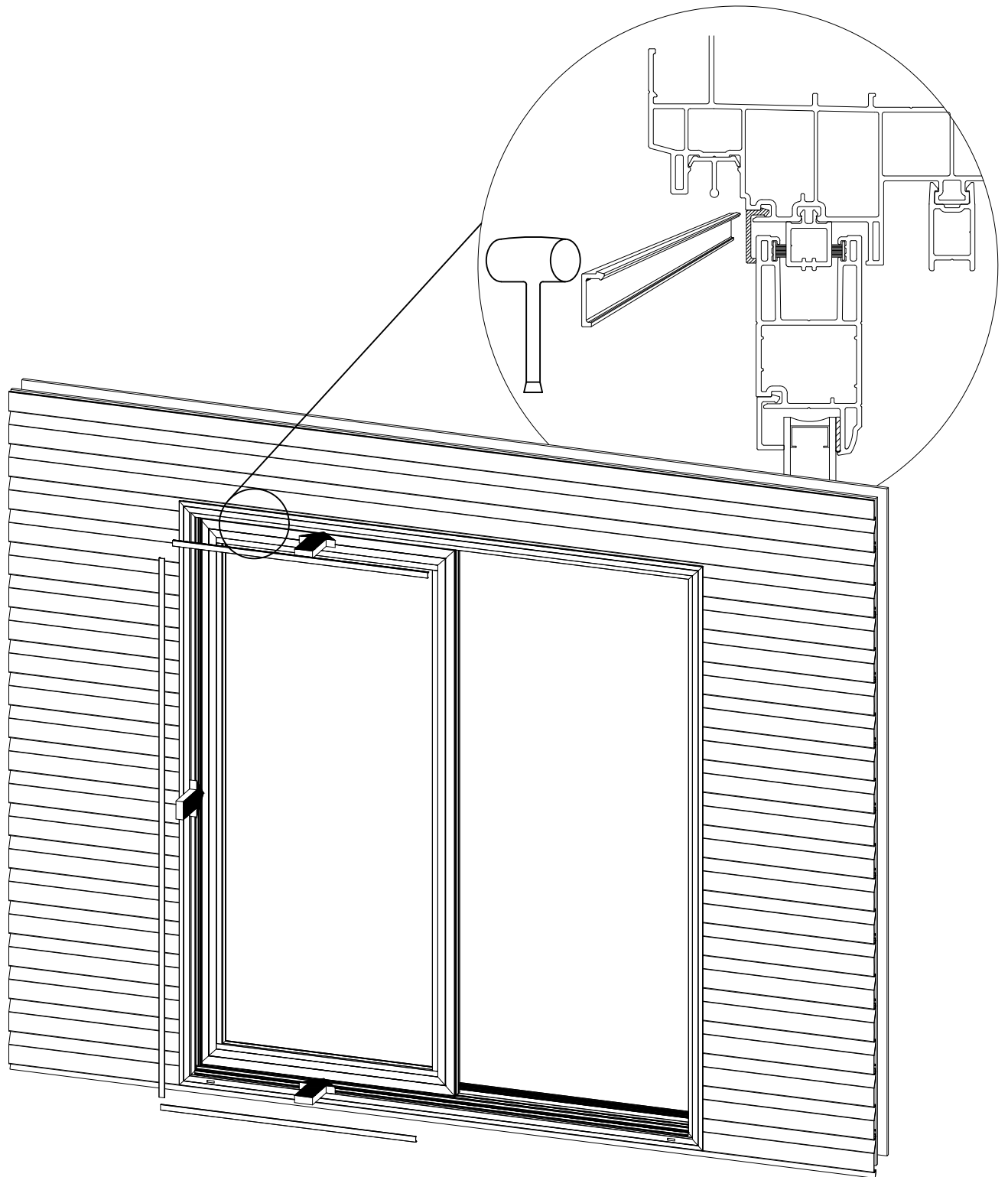
10)

Next, from the inside of house, while holding compression into the jamb, secure the sash with (2ea.) #8 X 7/8" Pan Head Screws (Silver) top and bottom through the face of the sash into the anchor blocks. When complete cover each screw with hole plug.(# 9667)

Next, add Sealant at the top between 8022 support and fixed panel & between bottom 8001 support and fixed panel.

Finish, with snapping the interlock on to the sash with a dead blow hammer.

Fixed Panel Snap-in Trim (KD)

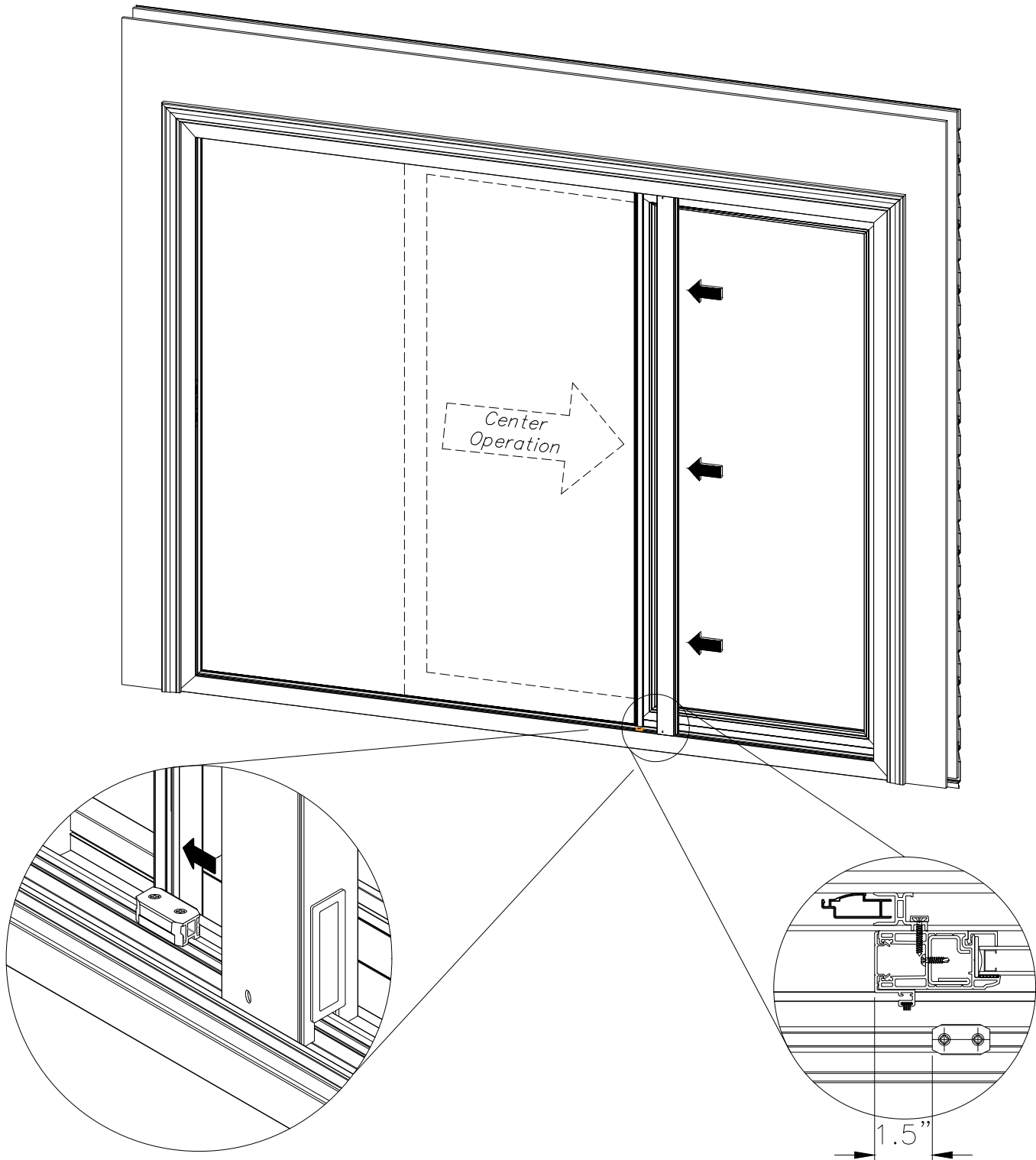


11)

Finish fixed panel install by snapping in bead trim along the head, jamb, & sill with a dead blow hammer.

NOTE: To complete the 2 panel door installation, skip ahead to step 16.

Multi Panel (0X0) Fixed Mullion Guide



The first fixed panel & fixed mullion location dependant on the direction of center operation.

12)

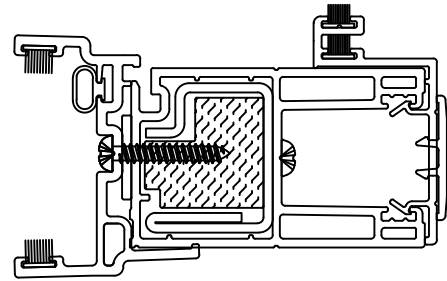
Once the fixed panel is secured, measure 1.5" back from the interlock on the fixed panel and secure the 7013 Mullion Anchor Blocks at the head and sill. Using 2 ea. #10 x 2.5" Flat Head Quadrex Screws (9639.ZC.vis10).

Once complete slide the Mullion Assembly over the Anchor Blocks and secure through the sides with 1ea. #8 x 1" Quadrex Screws (9623.ZC.vis08) top and bottom. Then cover each with a screw cap (9623.CAPUC).

Multi Panel Mullion Assembly Guide

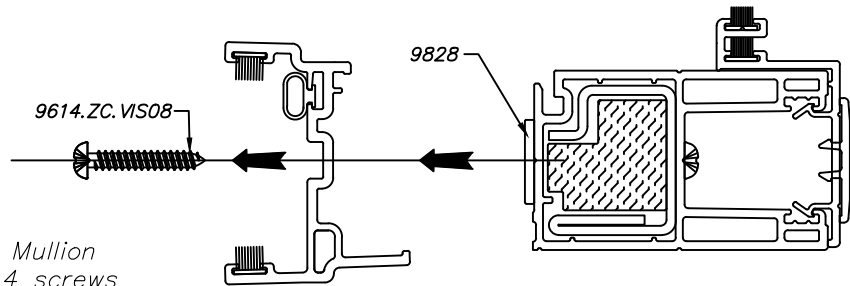
13)

The Fixed Mullion is shown in the configuration it comes in straight from the box.



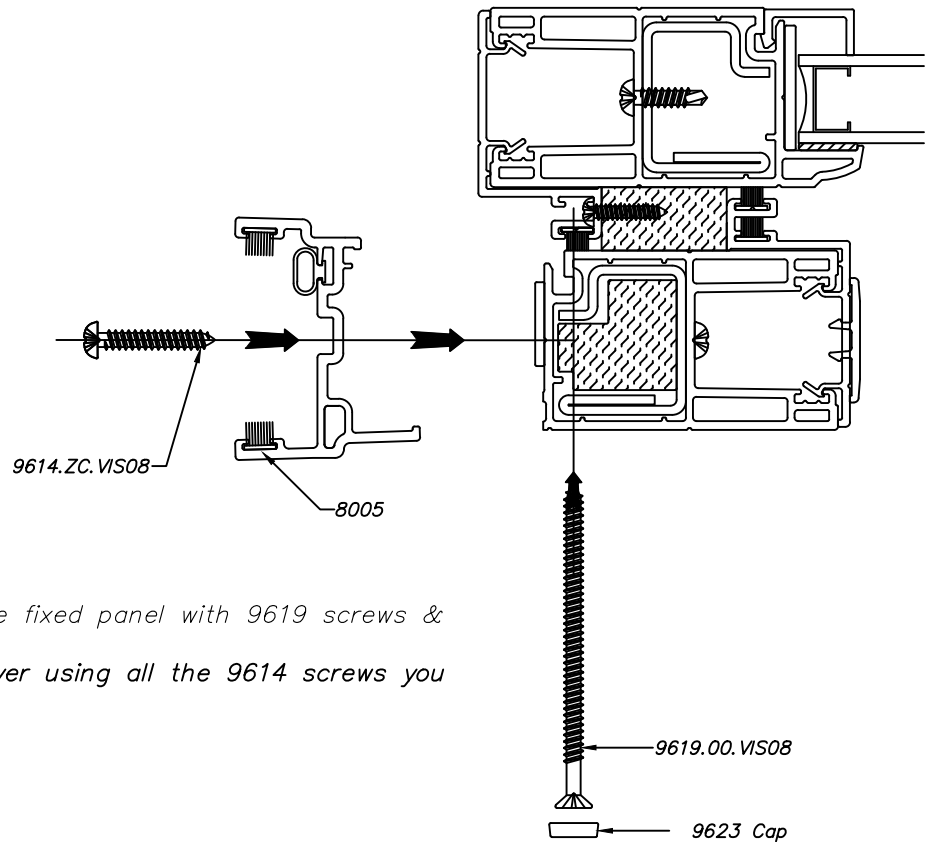
14)

Before attaching the Fixed Mullion you must first remove 9614 screws and 8005 Receiver from the Mullion assembly. Pay attention to the 9828 setting blocks as not to loose them.

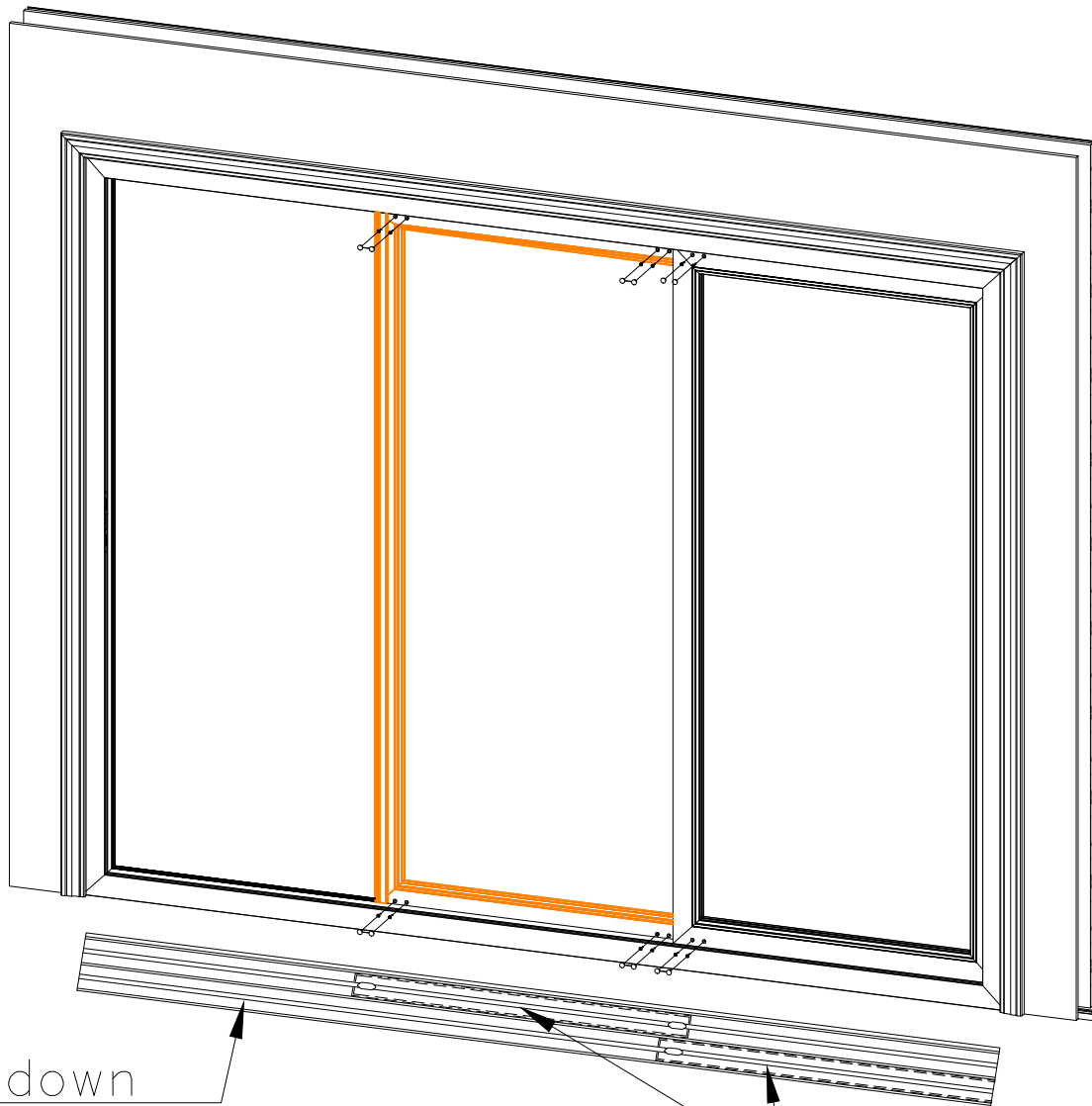


15)

First Anchor Mullion to the fixed panel with 9619 screws & 9623 Caps
Next Reattach 8005 receiver using all the 9614 screws you removed earlier.



Multi Panel (XX0) Fixed Panel Guide



looking down
on sill

Fixed Panel
locations

16) The interior track jamb fixed panel location is dependant on the direction of operating panel. The second fixed panel is centered in the exterior track.

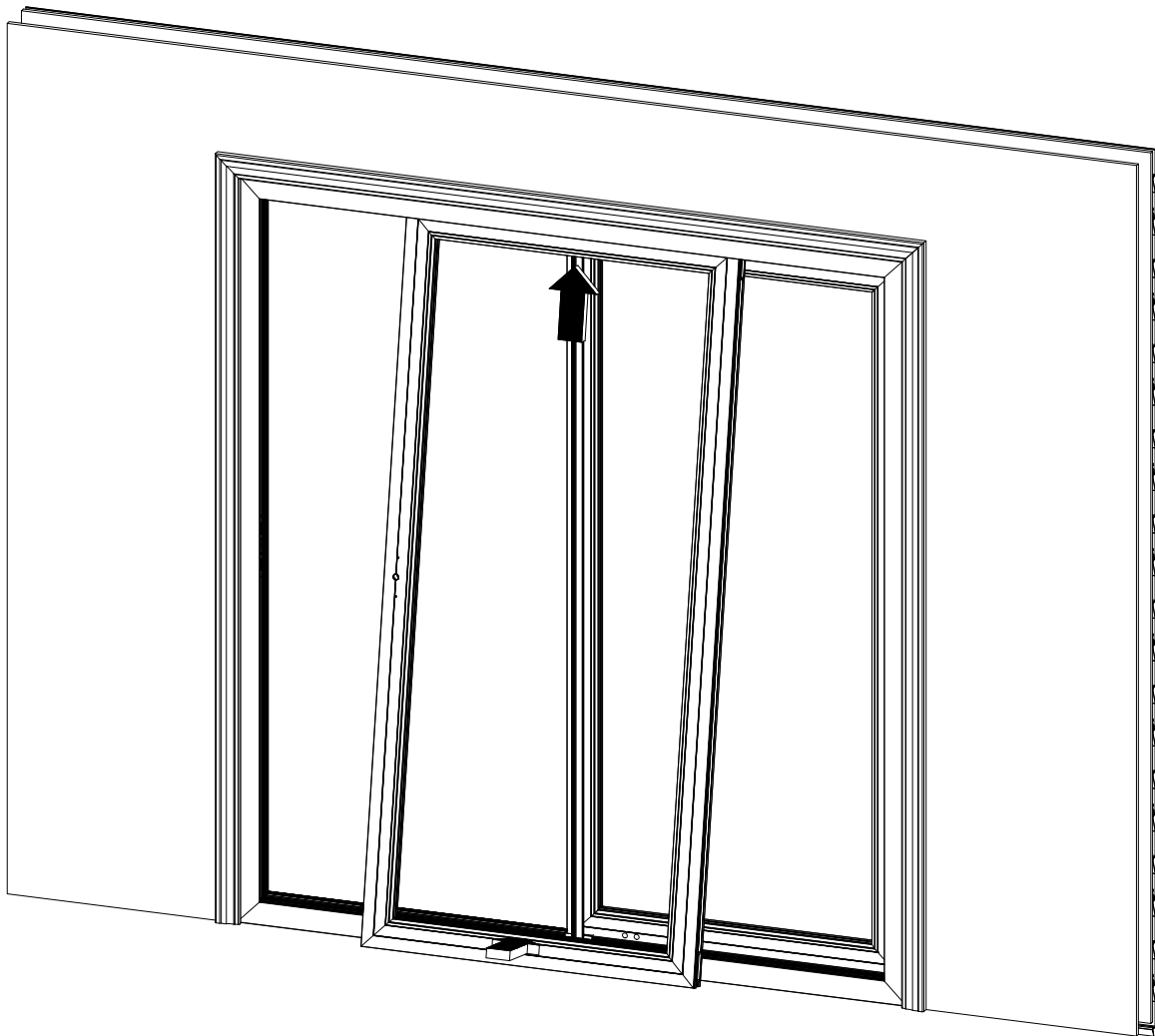
Once the jamb fixed panel is slid into place over the Anchor Blocks and secured through the sides with 2ea. #8 x 1" Quadrex Screws (9623.ZC.vis08) top and bottom.

Next swing the second fixed panel into the outer track and slide over Anchor Blocks making sure to engage the interlocks with the jamb fixed panel. Once again secure through the sides with 2ea. #8 x 1" Quadrex Screws (9623.ZC.vis08) top and bottom.

Then cover all screws with a screw cap (9623.CAPUC).

(XX0 shown, OXX opposite)

Active Panel Installation

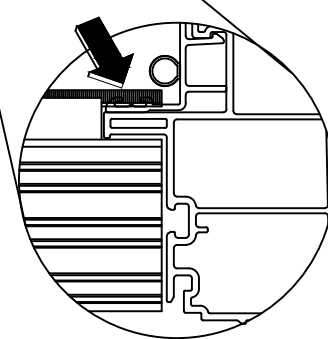
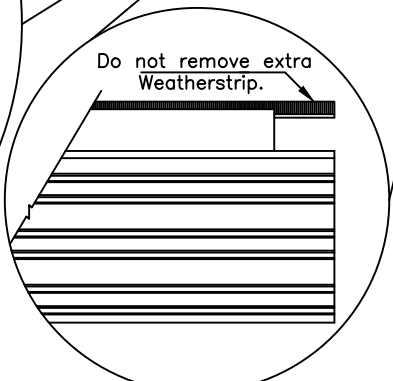
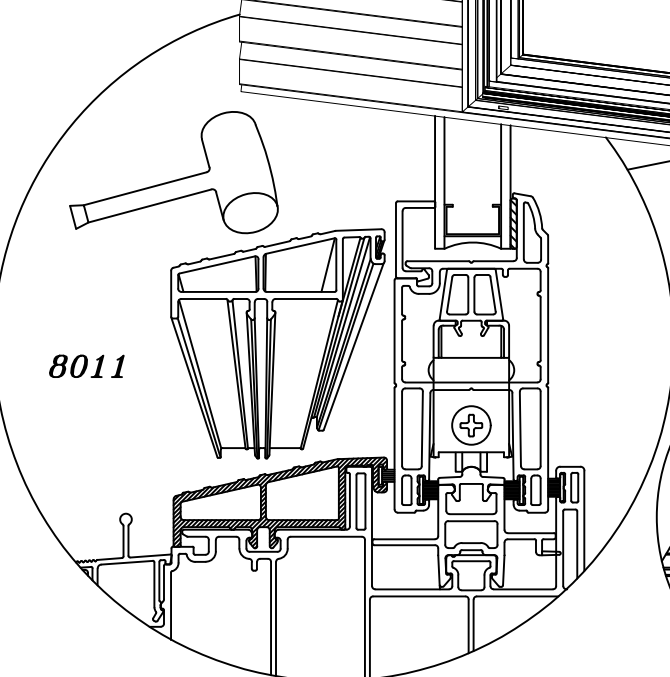
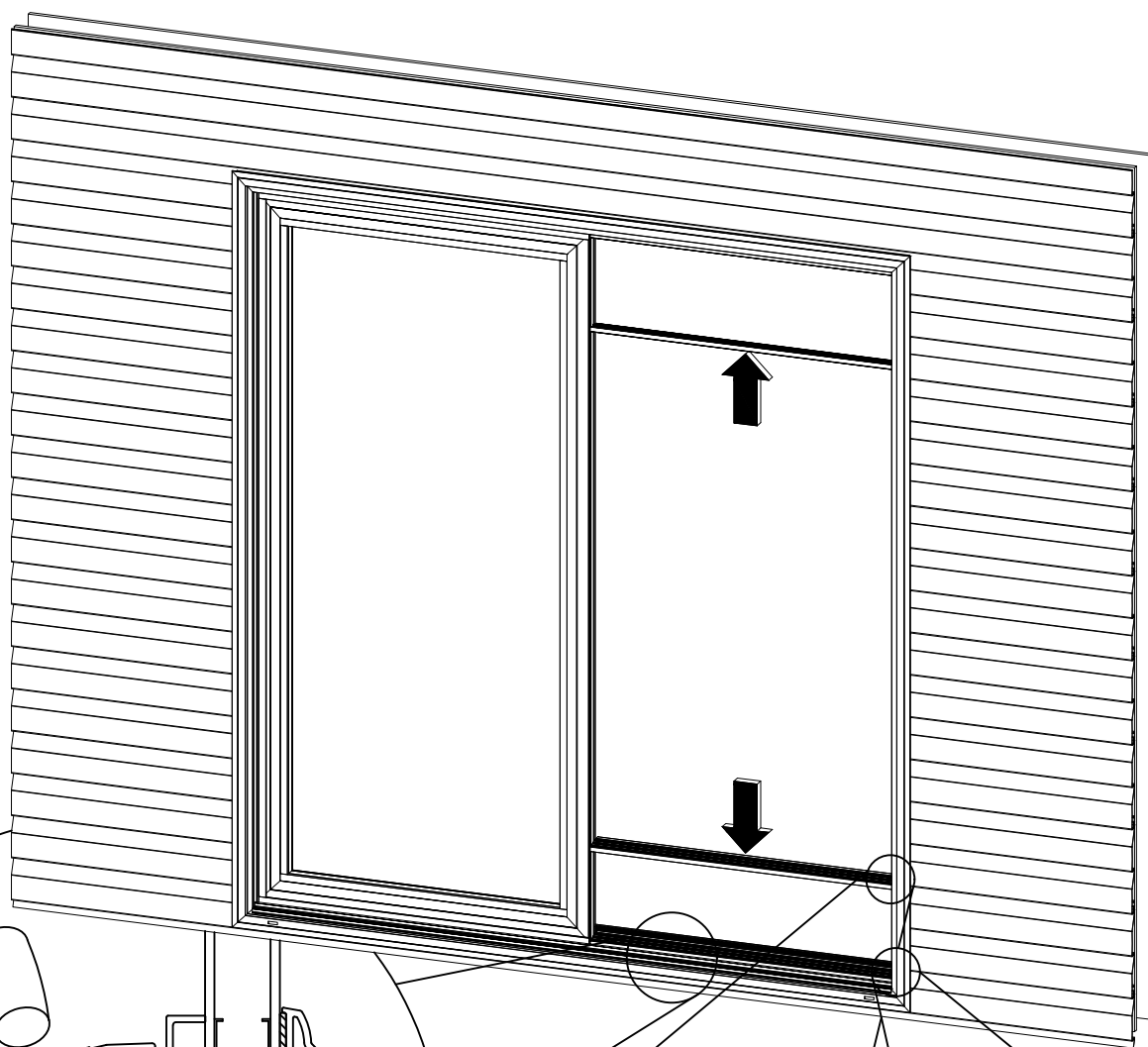


17) For Normal active panel install.

OR

KD install of the active panel. First, insert top of active panel into the head of the frame. Next, swing the panel in towards the sill and let the panel seat down onto the roller rail.

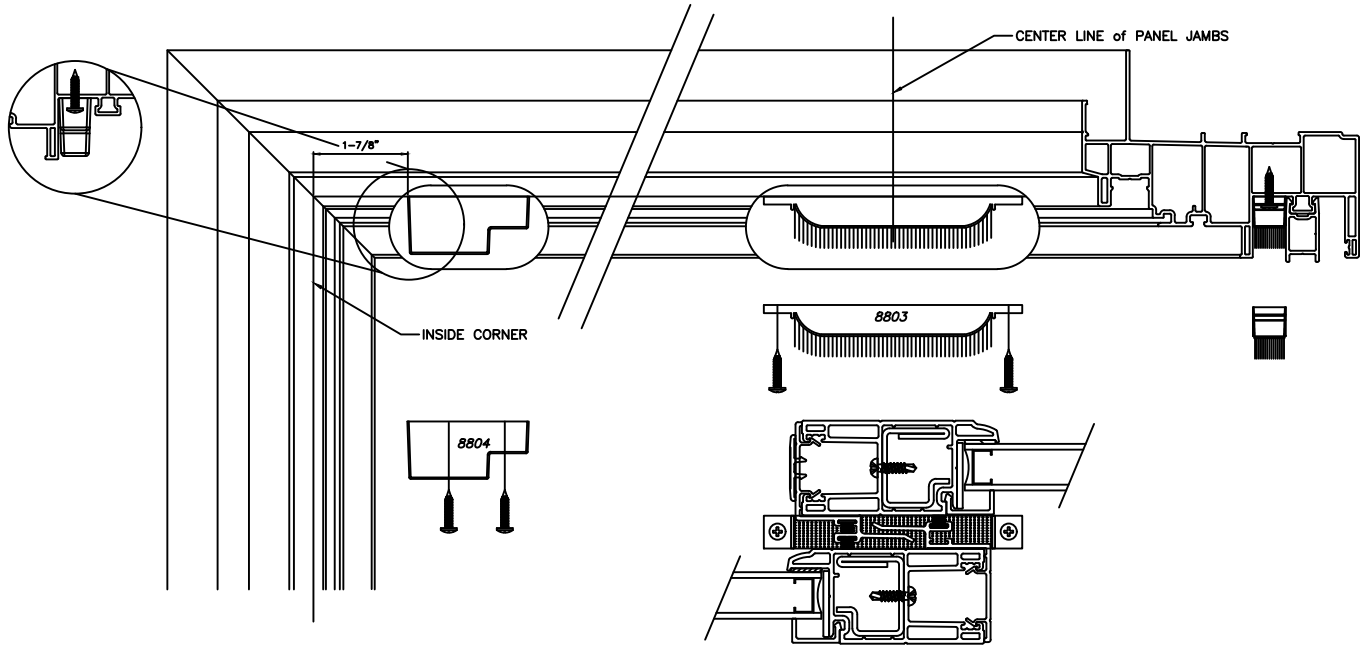
Installing Head & Sill Tread Insert



18)

Snap the angled tread track in at the head and sill along the active panel with a dead blow hammer.
NOTES: Notches go towards Jamb. / DO NOT remove extra weatherstrip. / Make sure Weatherstrip Tail wraps around jamb tower.

Installing Head Track Accessories

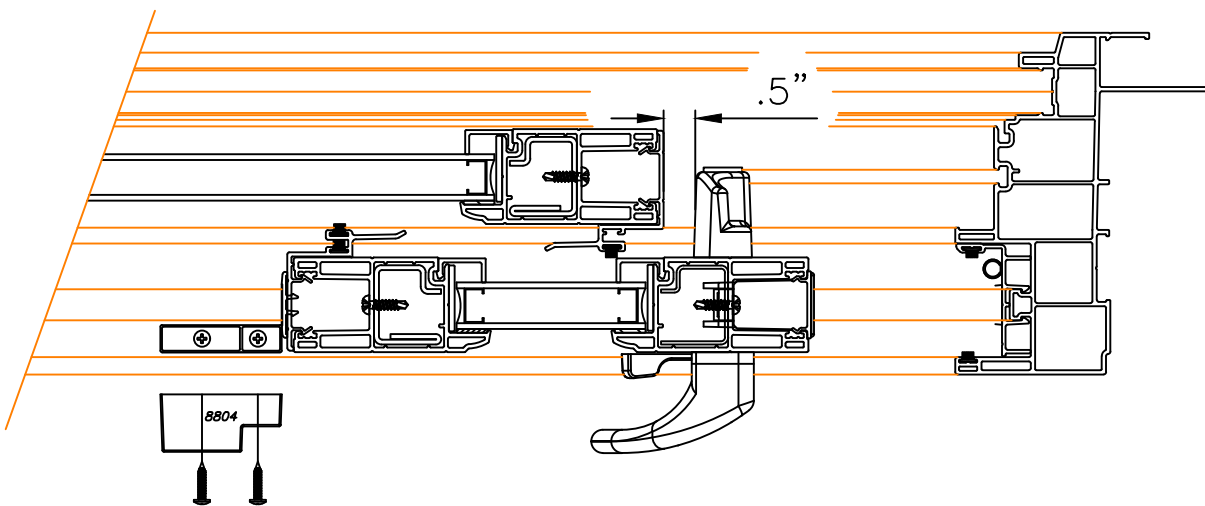


19)

Once both panels are set & secure, open the active panel all the way open. Next, with a tape measure, find the center of the door. Now, slide Head Weatherseal (8803) into the head and center it up with the unit and attach using the first of two #8 x 1-1/4" Pan Head Screws (Black).

Once complete, slide active panel to the closed position and finish anchoring 8803 with the second screw.

Next, in the same head track, measure 1 7/8" from the fixed panel inside corner attach door bumper (8804) using two #8 x 1-1/4" Pan Head Screws (Black).

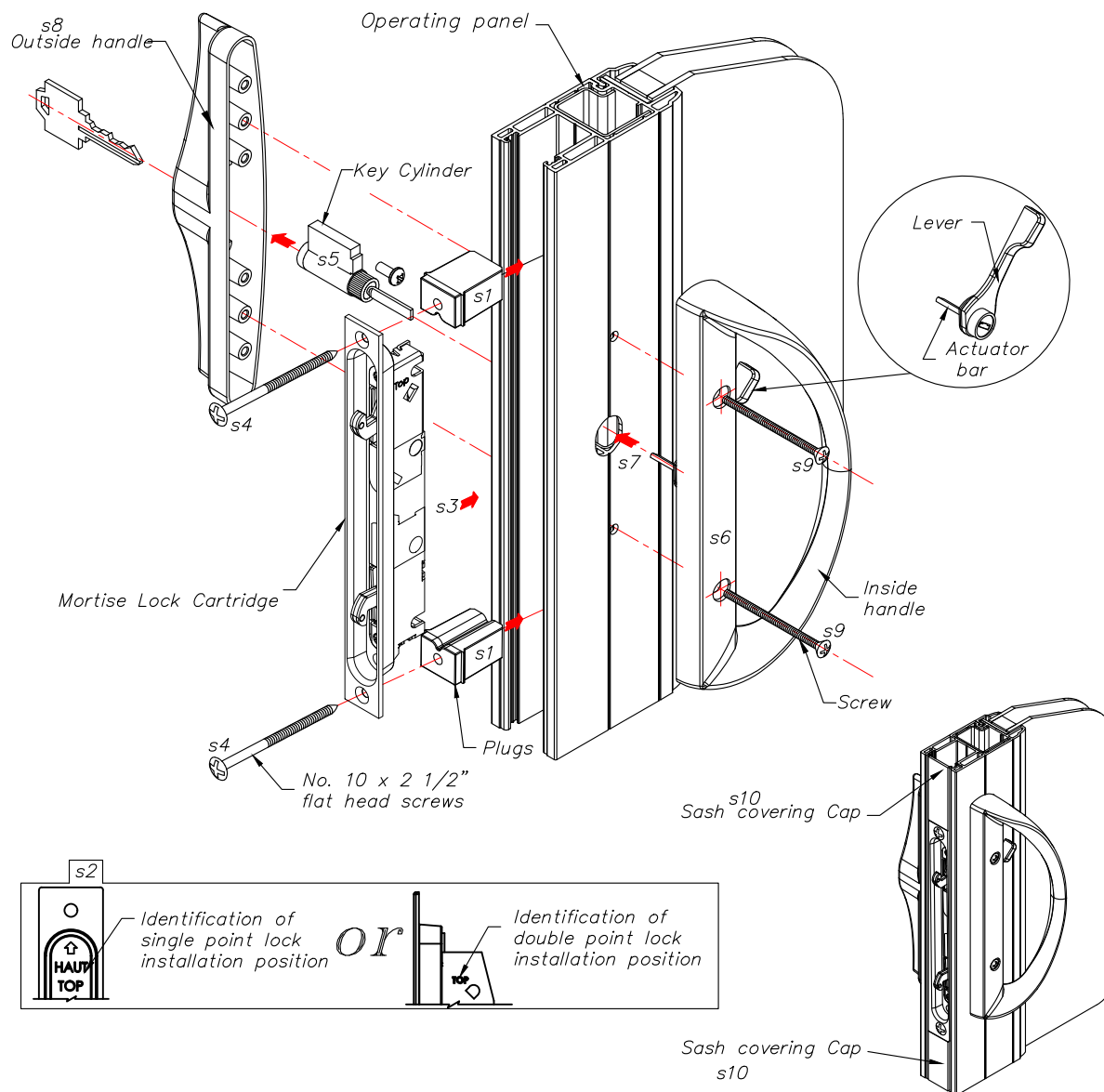


20)

For anchoring door bumper in a OXX or XX0 unit once handles are applied open the active panel to about 1/2" from fixed panel as shown.

Next place door bumper against the end of the active panel and attach door bumper (8804) using two #8 x 1-1/4" Pan Head Screws (Black).

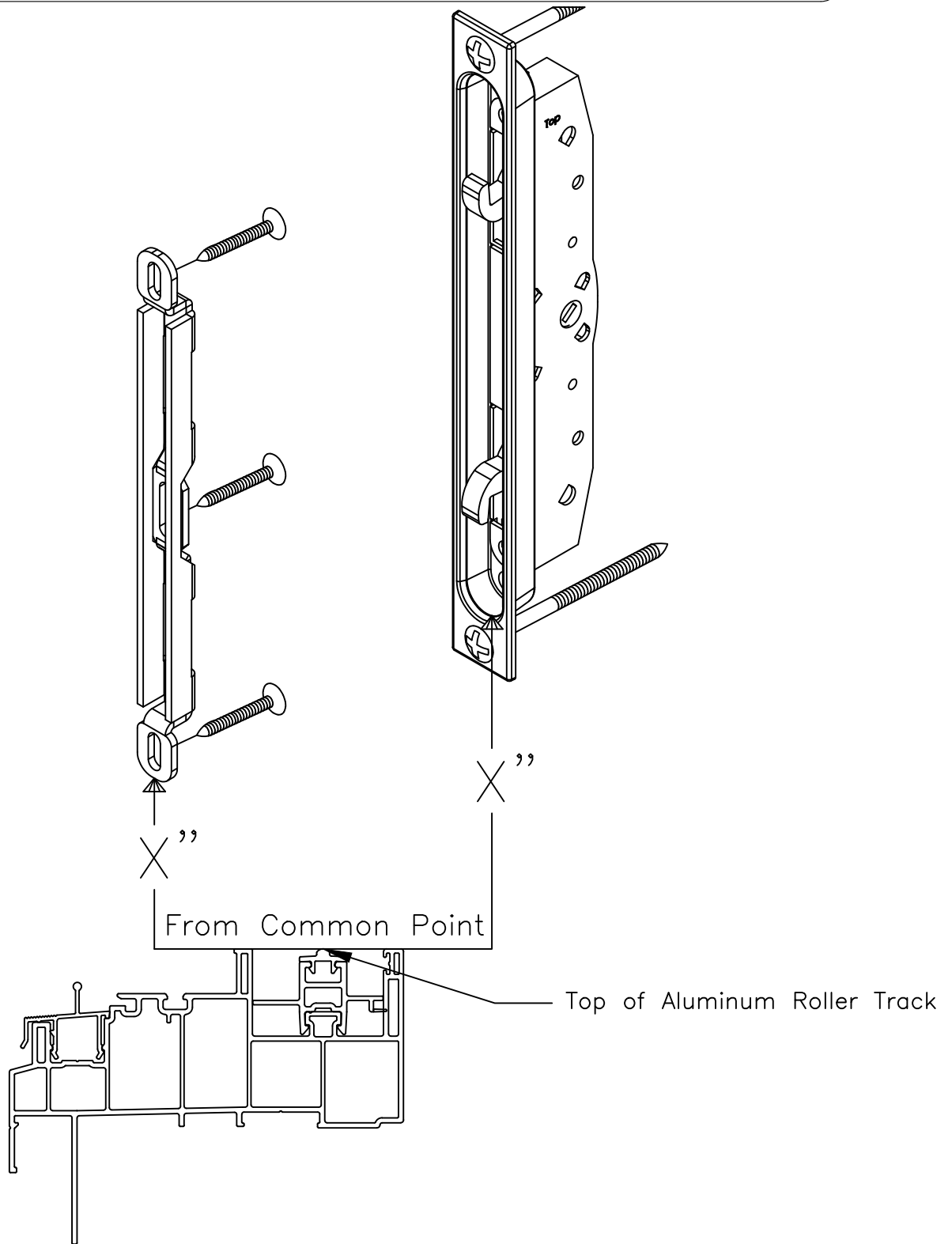
Handle Set Installation Guide



21)

- s1) Insert plugs into edge cavity of operating panel.
- s2) On the mortise lock cartridge, find the identification TOP for double point lock. Always install the cartridge with "TOP" towards the top to ensure proper operation of the lock.
- s3) Insert Cartridge into edge cavity of operating sash panel.
- s4) Now fasten with two (2) #10 x 2-1/2" flat head screws.
- s5) Insert the Key Cylinder, as illustrated, into the cavity of the outside handle, Secure with #8 x 3/8" Truss head Screw.
- s6) On the inside, Set the inside handle to the face of the Sash.
- s7) Making sure the actuator bar is well inserted into the slot of the lock cartridge.
- s8) Position the outside handle in place.
- s9) Now secure Handles from the inside with two (2) #8-32 x 2.25" Oval head screws.
- s10) Install edge covering caps on sash, above and below the lock, as illustrated.

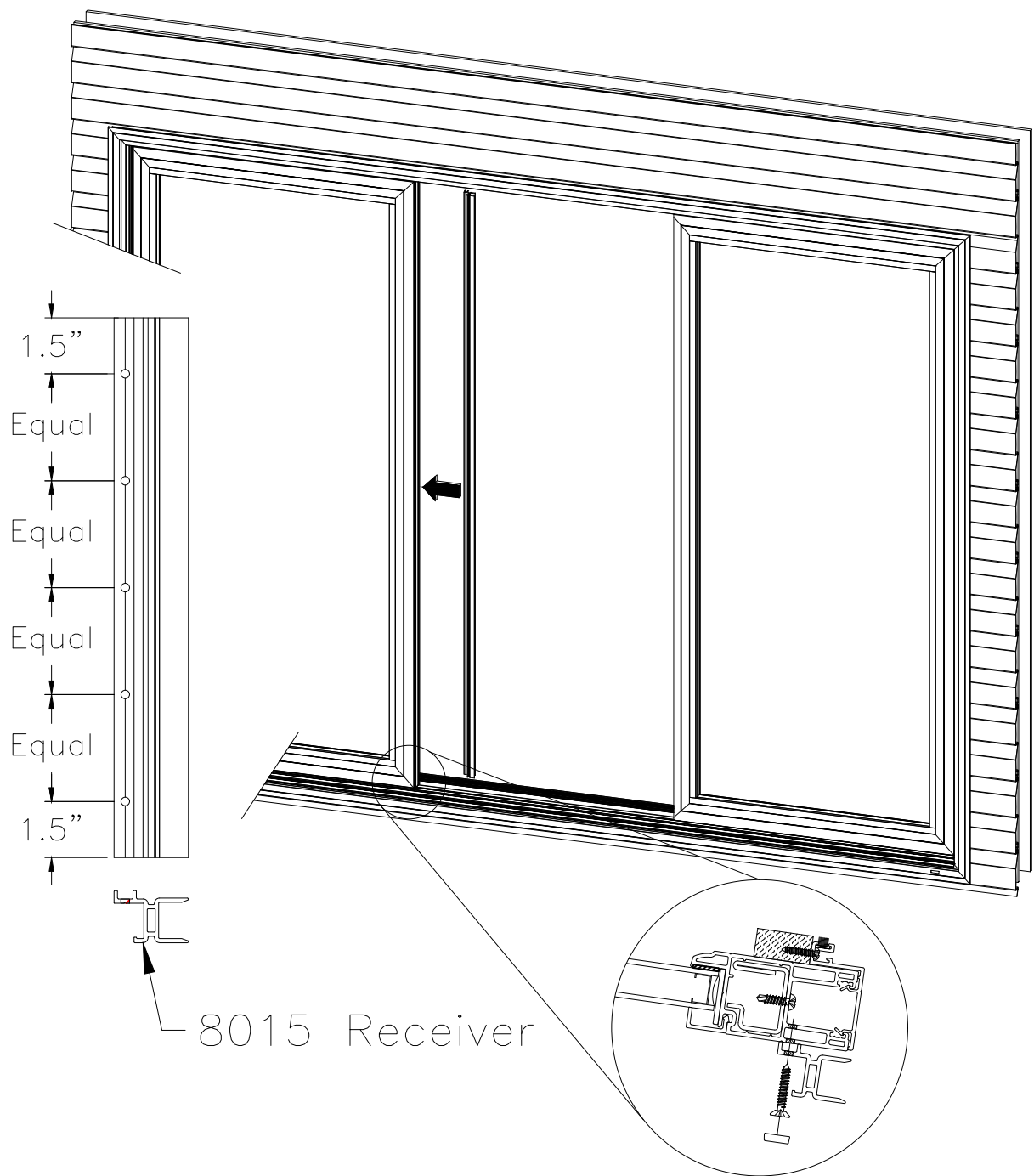
Keeper Installation Guide



22)

Once door panel with mortise lock & handle is set into the frame. Measure up from the top of the aluminum Roller Track to the inside bottom of the Mortise cup. (as shown above.) Then from the same base point measure up and place a mark on the jamb. This will be where you line up the bottom most point of the Keeper. (9249.ss.GACHE) While holding Keeper plumb secure with screws. (try to place screws in center of holes for best adjustment)
Once done close door and try lock. Adjust if necessary.

Multi Panel Screen Receiver Guide



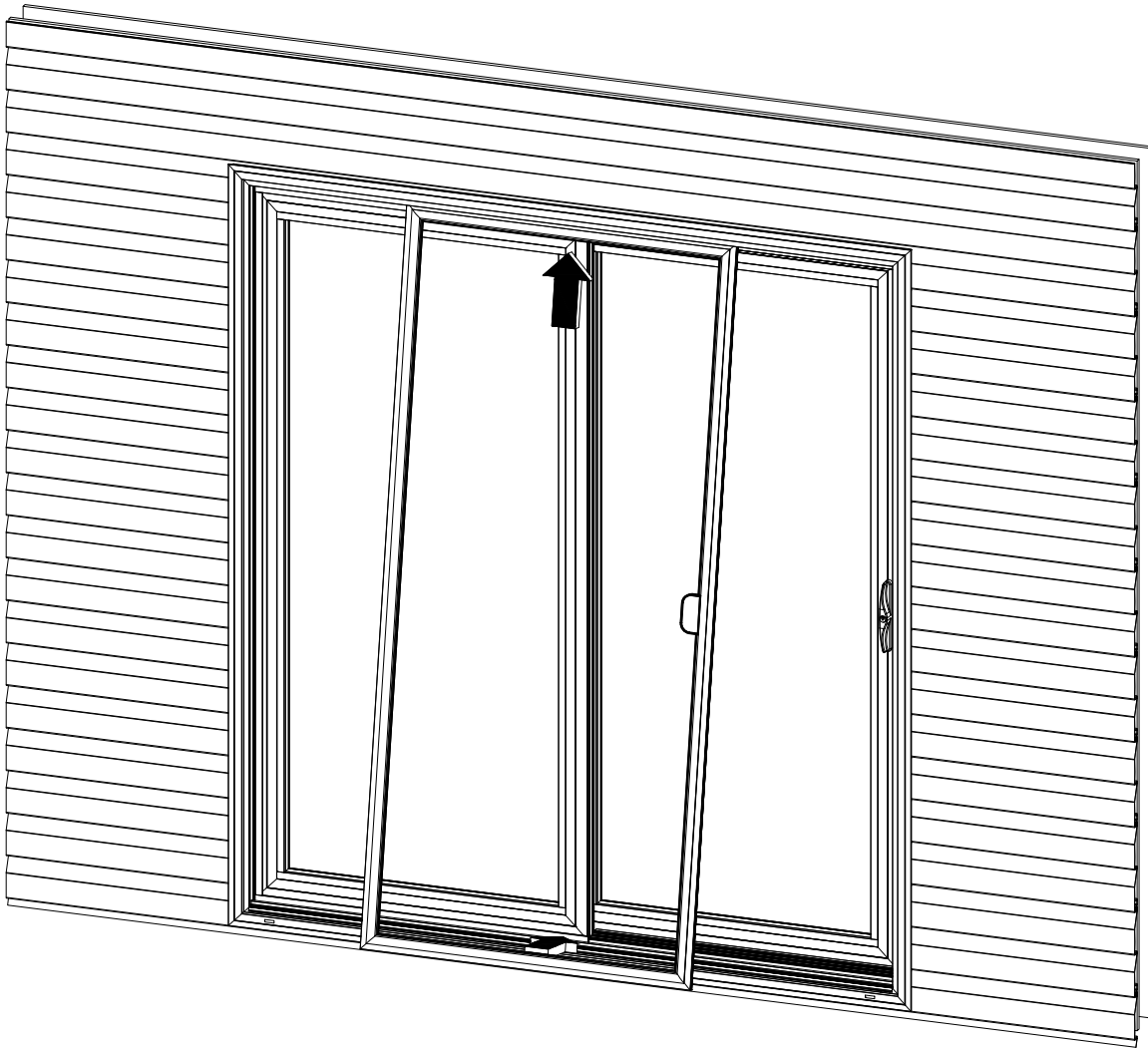
8015 Receiver

23)

Once fixed panel is secured attach 8015 to the sash using 5x #8 x 1" Quadrex Screws. Then cover each with a screw cap (9623.CAPUC).

NOTE: Refer to step 22 for screen installation guide.

Screen Installation Guide



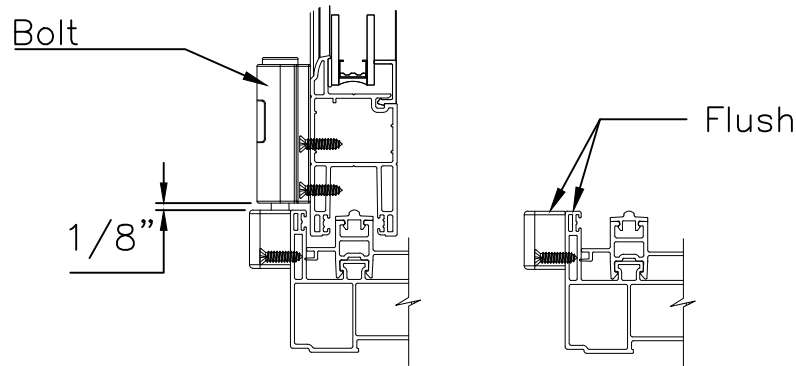
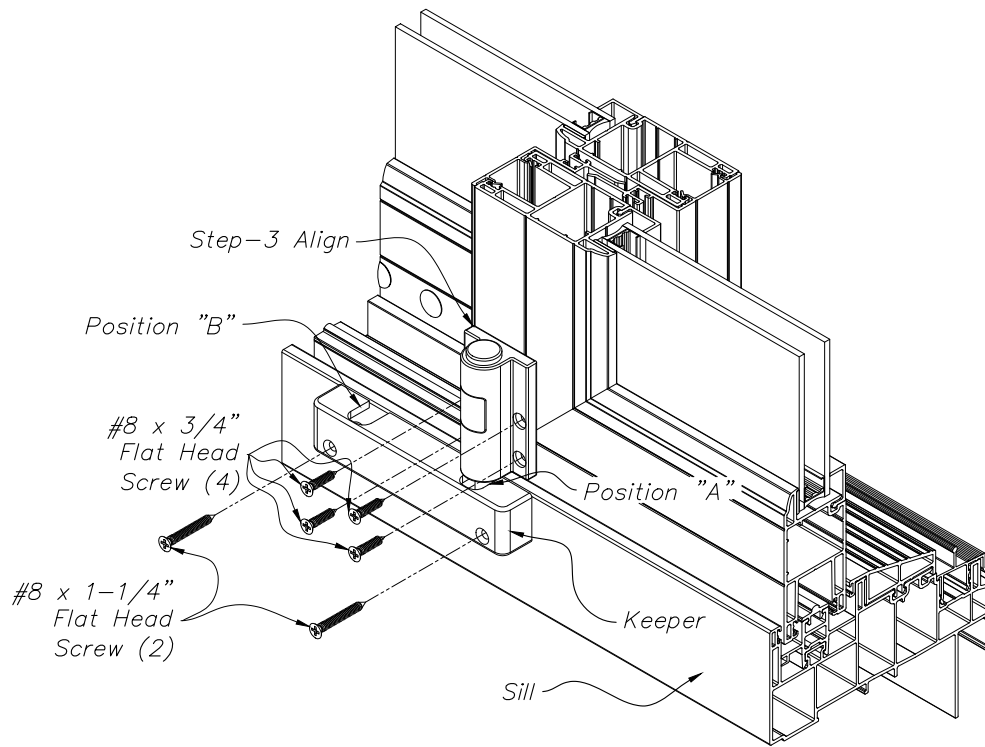
24)

First, insert top of Screen onto the head of the frame. Next, swing the bottom in towards the sill and let the Screen seat down onto the roller rail. With a Phillips screwdriver adjustments can be made to the top & bottom wheels to get proper performance.

NOTE: Do not over tighten screws, as this can cause the wheels to bind.

NOTE: Screen keeper mounting guide located on stickers with each screen.

Secondary Lock Installation Guide



25)

- 1 – Make sure the operating panel is in a closed and locked position.
- 2 – Extend the bolt until it is locked into place.
- 3 – Position the secondary lock onto the vertical stile of the operable panel, aligning the edge of the secondary lock with the edge of the sash and also locating the bottom of the secondary lock approximately 1/8" above the sill of the door.
- 4 – Mark the location of the secondary lock and anchor with #8 x 3/4" flat head screws provided.
- 5 – Position the keeper so that the bolt is in the center of the slot at Position "A" (see diagram) and also flush with the top of the sill. Mark holes and use two #8 x 1-1/4" flat head screws provided to mount the keeper to the sill of the unit.

Note:

Installation instructions are only given as a reference. The use of the secondary lock is not a recommendation from Wincore as a safety measure.

