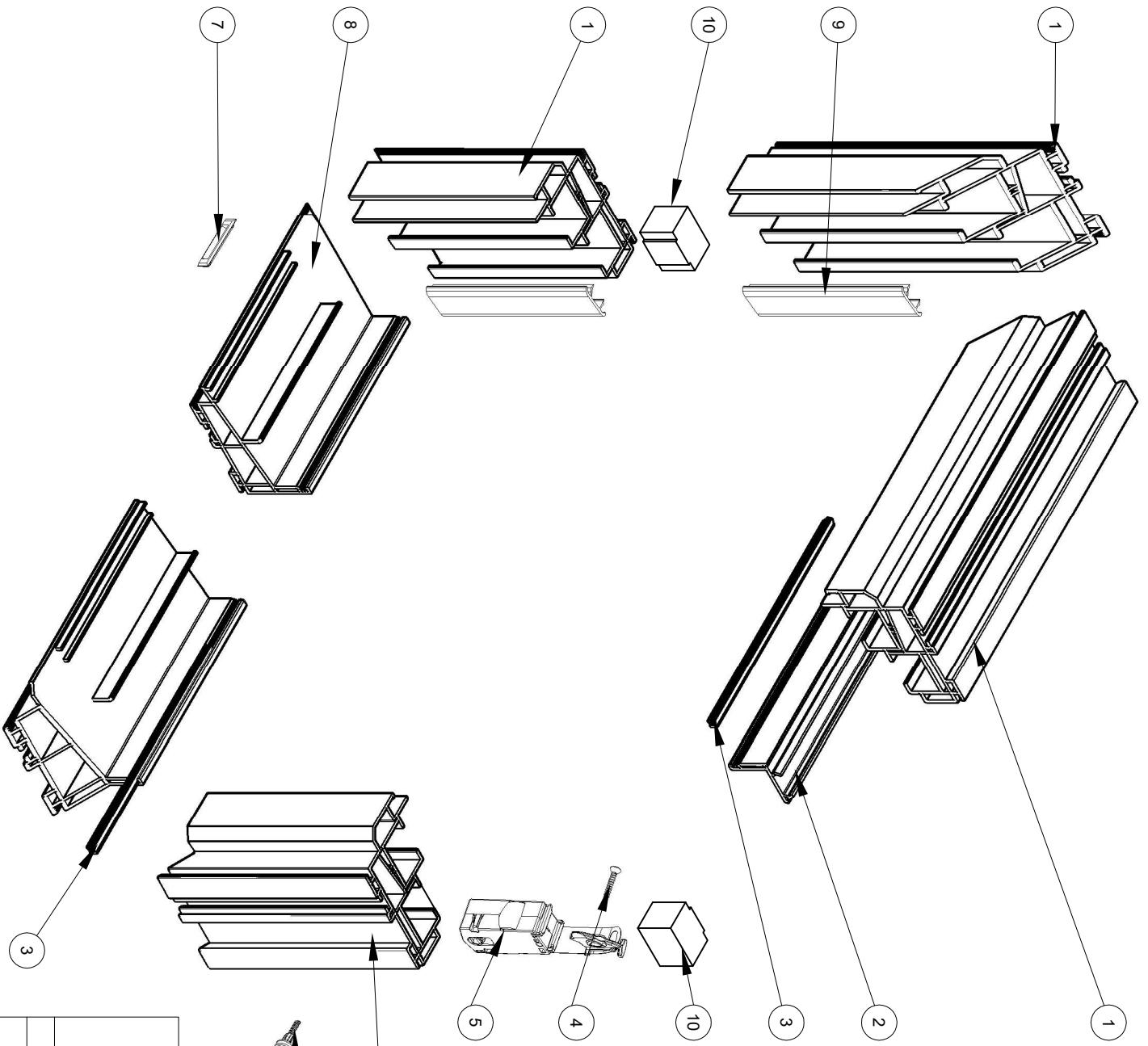


ITEM NUMBER	PART NUMBER	DESCRIPTION	QUANTITY
1	DH7701	JAMB/HEAD	1
2	DH3005	DH3005	1
3	.270 PILE WEATHERSTRIPPING	.270 PILE WEATHERSTRIPPING	2
4	#8x $\frac{3}{4}$ " PHF AVLS SCREW	#8x $\frac{3}{4}$ " PHF AVLS SCREW	4
5	ROLLER-TILT 880 BALANCE	ROLLER-TILT 880 BALANCE	2
6	$\frac{7}{8}$ " JAMB ADJUSTER	$\frac{7}{8}$ " JAMB ADJUSTER	2
7	1288	WEEP COVER	2
8	DH7703	SILL	1
9	AC25	SASH STOP	4
10	77-SILLPLUG	77-SILLPLUG	2



Wincore
Windows & Doors
 250 Staunton Avenue
 Parkersburg, WV 26104

DRAWN: CPB	DATE: 07/29/08	SCALE: FIT
SERIES: 7700/9900 Double Hung		
FRAME	DRAWING NUMBER: EX0065	