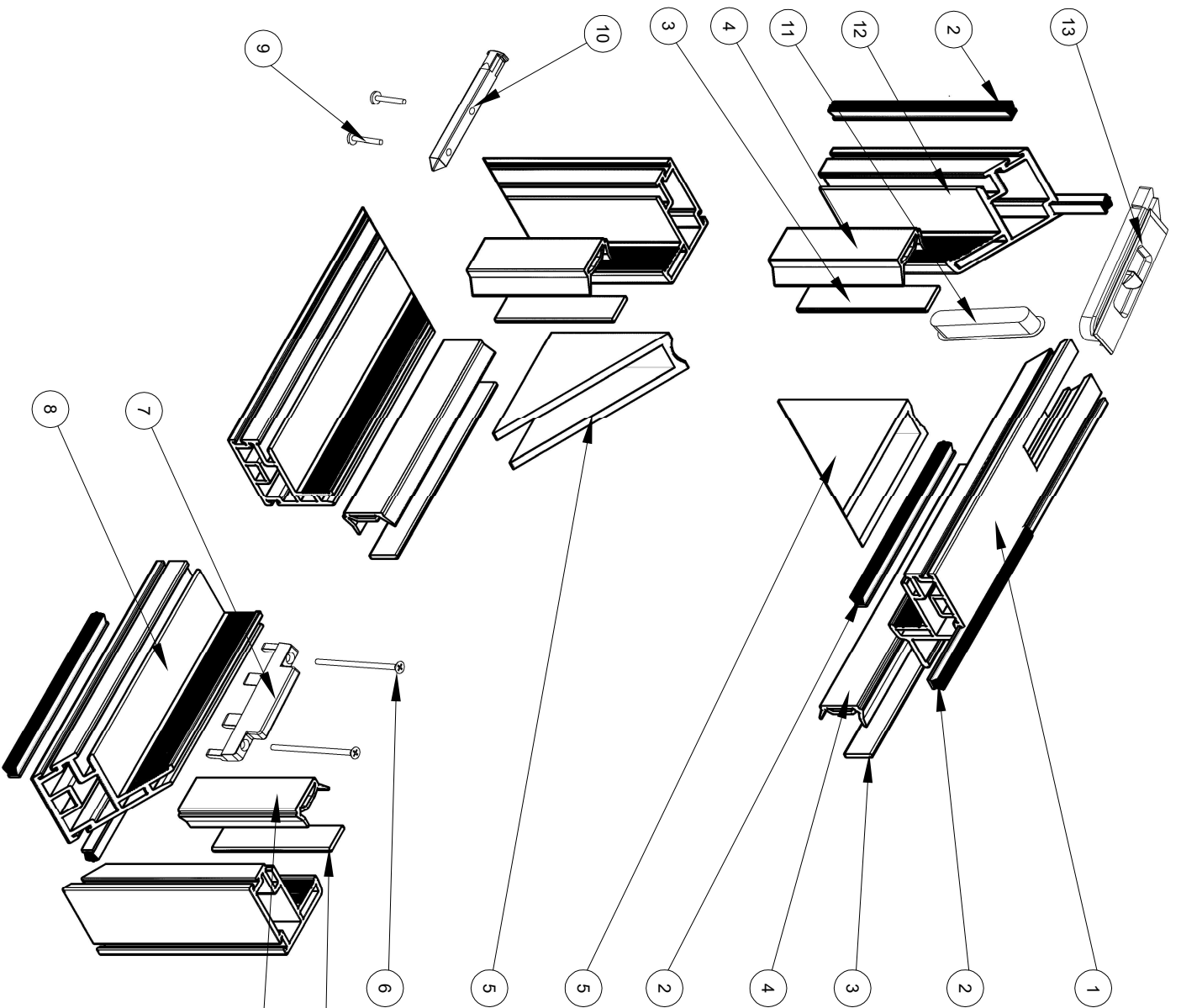


#	PART NUMBER	DESCRIPTION	QUANTITY
1	SE3037	PULL RAIL	1
2	.270 PILE WEATHERSTRIPPING	.270 PILE WEATHERSTRIPPING	4
3	$\frac{1}{16}$ " $\times$ $\frac{1}{2}$ " GLAZING TAPE	$\frac{1}{16}$ " $\times$ $\frac{1}{2}$ " GLAZING TAPE	4
4	BV79	$\frac{3}{8}$ " GLAZING BEAD	4
5	$\frac{7}{8}$ " IG	$\frac{7}{8}$ " IG	1
6	#6X1- $\frac{1}{2}$ " PFH AVL SCREW	#6X1- $\frac{1}{2}$ " PFH AVL KEEPER SCREW	2(1 LOCK) 4(2 LOCKS)
7	2700-214	COMPOSITE KEEPER	1OR2
8	SE3034	KEEPER RAIL	1
9	#8X $\frac{3}{4}$ " PFH AVL SCREW	#8X $\frac{3}{4}$ " PFH AVL BAR SCREW	4
10	16Y410	ROLLER TILT 880 PIVOT BAR	2
11	900-075	VENT LATCH	2
12	SE3035	STILE	2
13	76825(LEFT) 76925(RIGHT)	TILT LATCH	2



Wincore  
Windows & Doors  
250 Staunton Avenue  
Parkersburg, WV 26104

DRAWN: CPB

DATE: 07/29/08

SCALE: FIT

SERIES: 7700 Double Hung

KEEPER SASH

DRAWING NUMBER: