

Single Door with One Sidelite or XO,OX, X00 and 00X Patio Doors Installation Instructions

P.O. Box 187,250 Staunton Avenue, Parkersburg, WV 26102
Phone: 304.485.7463 / 866.946.2673 Fax: 304.485.7466 www.wincorewindows.com



Required Tools & Materials:

- Safety Glasses
- Gloves
- Hammer
- Tape Measure
- Construction Level
- Framing Square
- Flat Head Screw Driver
- Power Screw Gun
- Caulking Gun
- Phillips Screw Driver
- Paint Grade Silicone (Clear)
- Finish Nails
- Wedge Shaped Shims

Provided Materials:

- 3" Installation Screws
- 2 1/4" Finished Hinge Screws (Where Applicable)
- Touch Up Paint
- Locking Hardware Pack
- Simple Solution Corner Pad (2)
- Patio Door Screen and Components (Where Applicable)

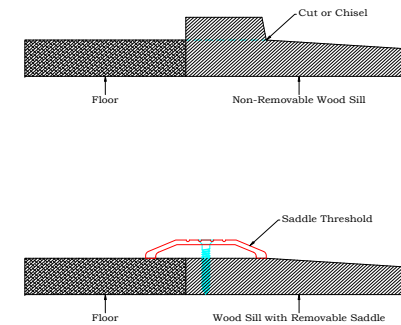
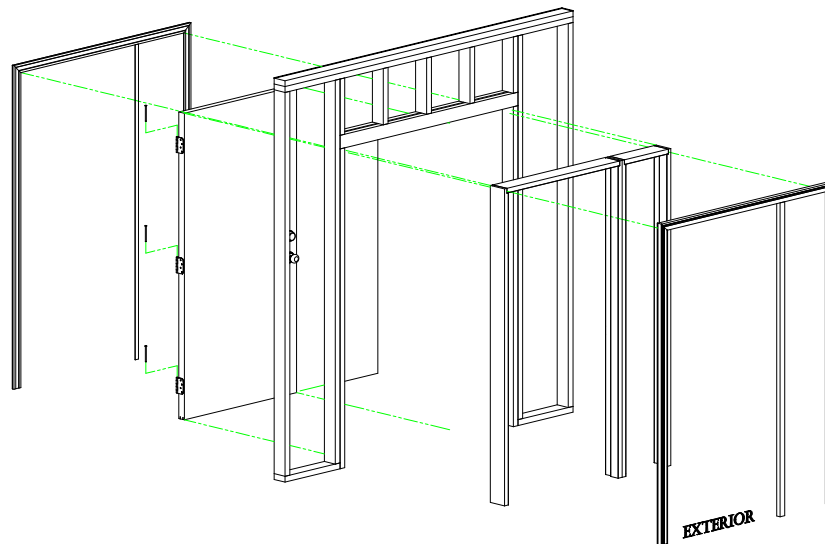
1: Inspect New Unit

Unpackage your new Wincore Entry Door and confirm that you have received the correct swing, color, size and style. Please reference the "Provided Materials" list on Page 1 to ensure that your door unit was shipped complete and also check for any damage that may have occurred during shipment. If you find any missing items, incorrect shipment or damage in the door unit received, please contact your Wincore Inside Sales representative at (866) WINCORE.

2: Prepare the Rough Opening

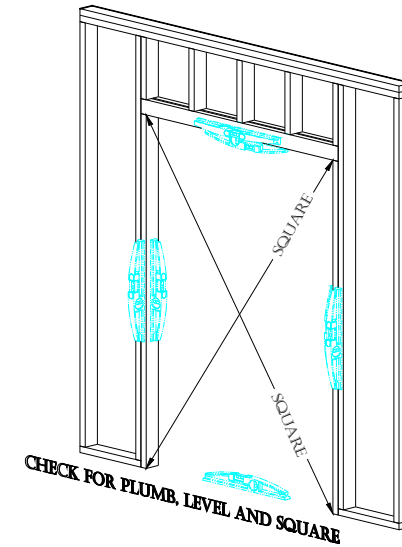
NOTE: If your door is being installed in a new construction application, please skip ahead to page 3 of the installation instructions.

- Remove the interior casing and exterior brick mould from the existing door.
- Remove the hinge pins, any existing trim, sidelites (where applicable) and door slab(s).
- Remove or cut the fasteners from the old frame and then take out the existing frame and threshold. If the existing threshold is a non-removable sill, cut or chisel away the wood to make the sill flush with the floor.



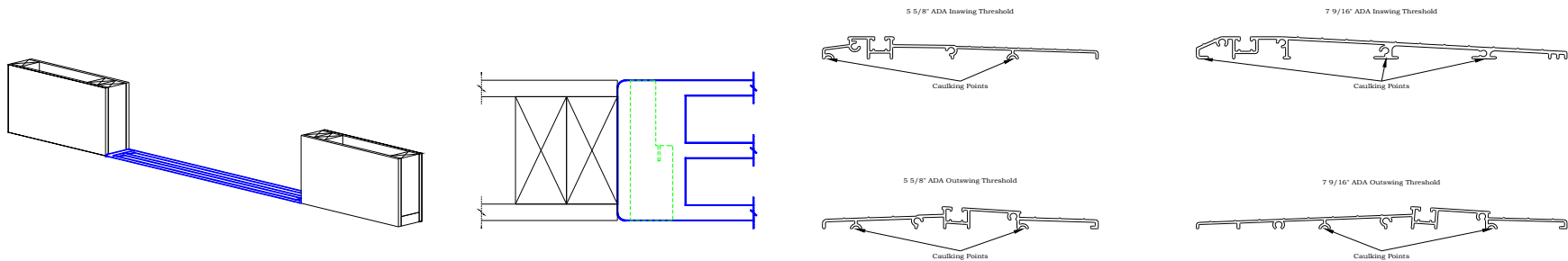
2: Prepare the Rough Opening (Continued)

- Check that your opening is plumb, level and square. If the sill is not level with the subfloor, the sill area will need to be built up to be level with the subfloor to ensure proper operation of the new door. Also inspect the subfloor to confirm that it is clean, dry, level and solid.



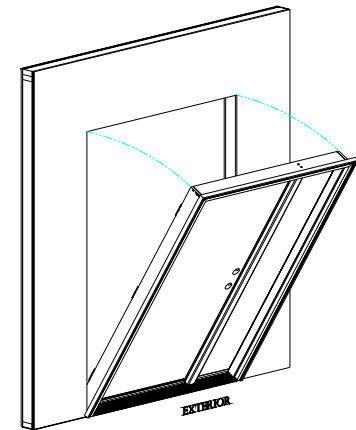
3: Pre-Caulk the Sub-Floor for the Sill

- If a standard inswing or outswing threshold is used, apply three heavy beads (approximately 1/2" wide) of 100% silicone caulking along the subfloor as shown in Figure A. If an ADA inswing or outswing threshold is used, administer the silicone directly to the sill as shown in Figure B. Regardless of the type of threshold being used, be sure to place enough caulking on the subfloor at the sides to completely cover the side jambs (Figure C).



4: Place Unit in Rough Opening

- Tilt header away from the rough opening and place the threshold of the door in the rough opening first. Be sure to set the threshold on top of the caulking applied in Step 3, then tilt the header into the rough opening.
- Before proceeding on to Step 5 of the instructions, have someone stand on the exterior of the door unit to hold in place while shims are added between the door jambs and studs on the interior.



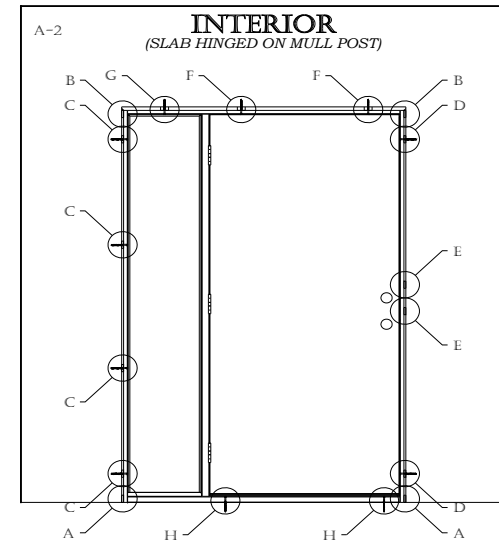
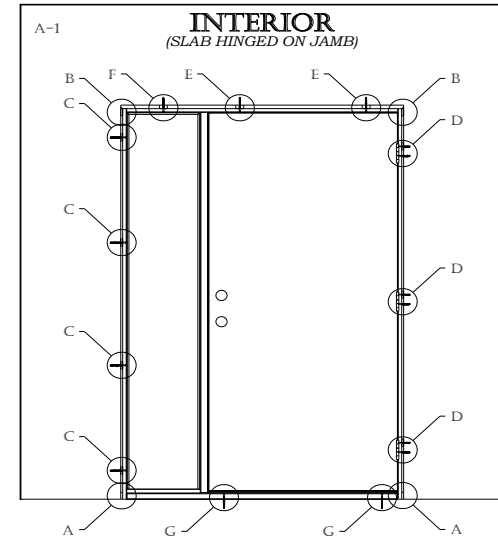
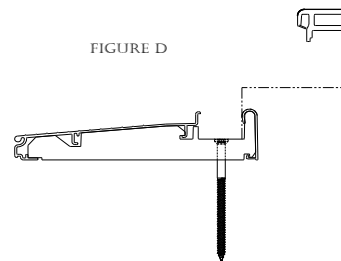
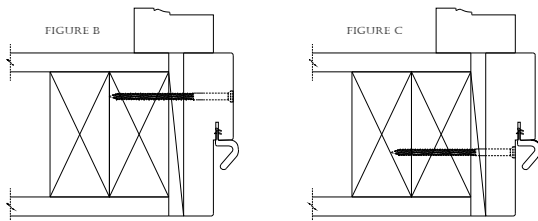
5: Shim and Fasten

If the door is hinged on the jamb, please refer to Figure A-1 and the steps outlined below to ensure proper installation.

- Center the door in the opening and then shim tightly at the bottom corners of the door unit (Point A).
- Shim the top of the frame (Point B) until there is an 1/8" gap between the top of the door slab and the header.
- Shim at Point C along the vertical perimeter of the door frame. The shims need to be located approximately 6" and 28" from both the top and bottom of the door frame.
- Drive the 3" installation screws supplied through the jamb, shims and into the stud at Point C and as shown in Figure B Below. NOTE: Finishing the countersink caused by recessing the screw head as shown in Figure B is completely at the discretion of the installer.
- With the slab closed, shim directly behind one of the two vacant hinge screw holes in each hinge (Point D) until there is a consistent 1/16" gap between the hinge side jamb and the door slab along the entire height of the unit.
- Drive the 2 1/4" finished hinge screws supplied through the two vacant holes in each hinge, through the jamb, shims and into the stud.
- Shim and install screws in the header above the active panel (behind the weatherstripping, as shown in Figure C below) at Point E, approximately 6" from the mull post and jamb of the unit.
- Shim and install screws in the header above each inactive panel (referencing Figure B below) at Point F, approximately 6" from the mull post. NOTE: If the inactive panel is larger than 14", an additional installation screw is required over each inactive panel at 6" from the edge of the frame or mull post (depending on configuration of door).
- Remove the riser from the threshold and install two 3" fasteners (provided) through the substrate of the sill at Point G (refer to Figure D below). These screws should be located approximately 3" from the mull post and jamb of the unit. NOTE: Depending on the sill used during the manufacturing process, the threshold installation may require pre-drilling prior to installing the screw. If pre-drilling is required, a 3/16" bit is recommended to perform this operation.
- Once the installation screws have been installed in the threshold, replace the adjustable riser.

If the door is hinged on the mull post, please refer to Figure A-2 and the steps outlined below to ensure proper installation.

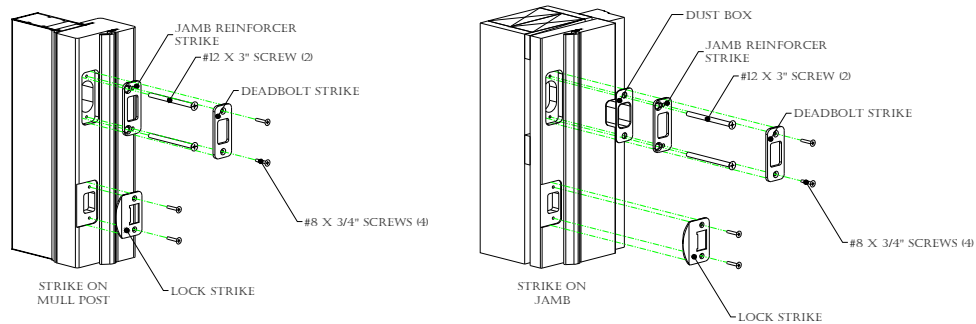
- Center the door in the opening and then shim tightly at the bottom corners of the door unit (Point A).
- Shim the top of the frame (Point B) until there is an 1/8" gap between the top of the door slab and the header.
- Shim at Point C along the vertical perimeter of the door frame. The shims need to be located approximately 6" and 28" from both the top and bottom of the door frame.
- Drive the 3" installation screws supplied through the jamb, shims and into the stud at Point C and as shown in Figure B Below. NOTE: Finishing the countersink caused by recessing the screw head as shown in Figure B is completely at the discretion of the installer.
- Shim behind the latch side jamb (Point D) approximately 6" from the top and bottom of the door frame. Install shims until there is a consistent 1/8" gap between the latch jamb and the edge of the slab along the height of the door.
- Install the 3" fasteners provided at Points D. Locate these screws behind the weatherstripping as shown in Figure C below.
- Shim behind the latch side jamb (Point E) just above and below the deadbolt hole, maintain the 1/8" gap. NOTE: If your door does not have a deadbolt, place the shims above and below the lock bore.
- Shim and install screws in the header above the active panel (behind the weatherstripping, as shown in Figure C below) at Point F, approximately 6" from the mull post and jamb of the unit.
- Shim and install screws in the header above each inactive panel (referencing Figure B below) at Point G, approximately 6" from the mull post. NOTE: If the inactive panel is larger than 14", an additional installation screw is required over each inactive panel at 6" from the edge of the frame or mull post (depending on configuration of door).
- Remove the riser from the threshold and install two 3" fasteners (provided) through the substrate of the sill at Point H (refer to Figure D below). These screws should be located approximately 3" from the mull post and jamb of the unit. NOTE: Depending on the sill used during the manufacturing process, the threshold installation may require pre-drilling prior to installing the screw. If pre-drilling is required, a 3/16" bit is recommended to perform this operation.
- Once the installation screws have been installed in the threshold, replace the adjustable riser.



6: Install Deadbolt and Lock Strike Plates

Reference the figure below to determine whether your unit has a strike located on the mull post or jamb

- Install the deadbolt strike assembly per the specifications in the figure below with the fasteners provided.
- Attach the lock strike to the jambs with the fasteners provided.



7: Adjust Riser and Check Corner Pads

- If necessary, adjust the sill cap to ensure consistent spacing between panel and cap. This can be done by removing the hole covers in the sill cap and turning a flat head screw driver to raise or lower the cap to the desired position.

* TEST THRESHOLD SEAL *

- Close door on a piece of paper placed on sill cap.
- Pull the paper out between the sweep and sill cap.
- If your threshold is properly adjusted, you should feel some tension as you pull the paper out. If the paper tears while pulling out, the seal is too tight. If there is no tension on the paper, the seal is too loose and, in both instances, the sill cap needs to be adjusted until there is proper tension on the paper.

- Replace the hole covers in the sill cap before moving forward.
- Verify proper installation of corner pad (both the hinge and latch side). The raised fin of the corner pad needs to be tucked behind the weatherstripping as shown in Figure A to the right.
- The corner pad must also be in contact with the top surface of the sill cap as shown in Figure B.

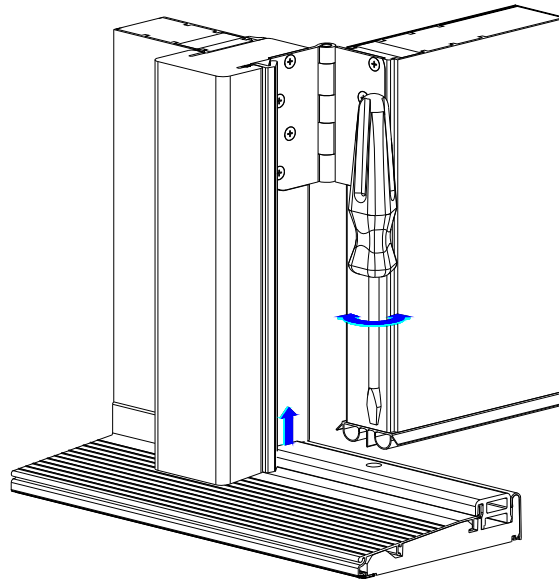
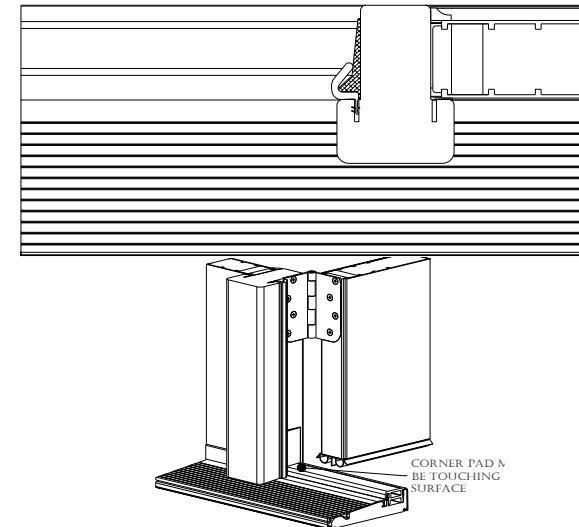
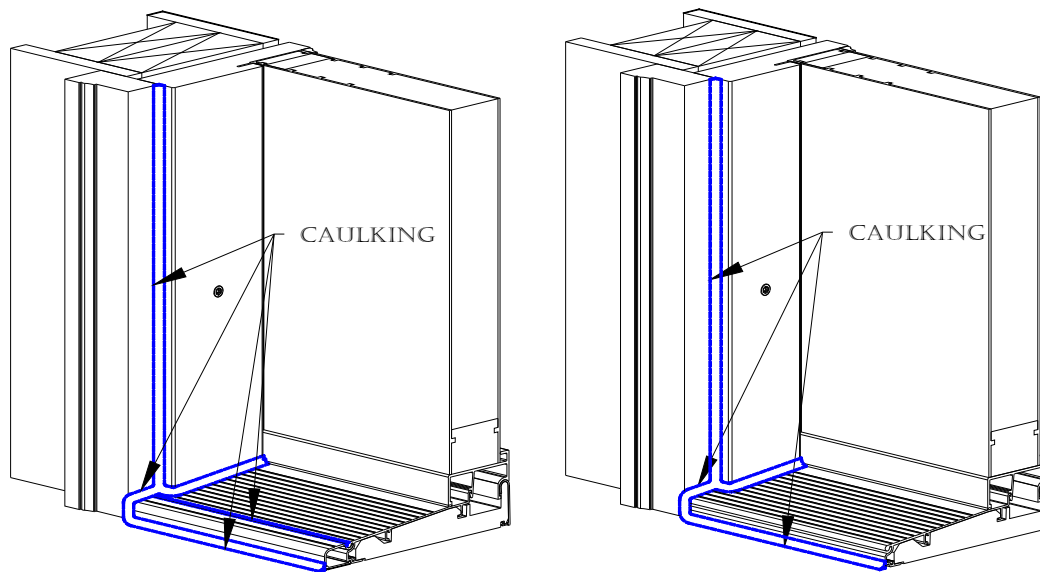


FIGURE A



8: Caulk

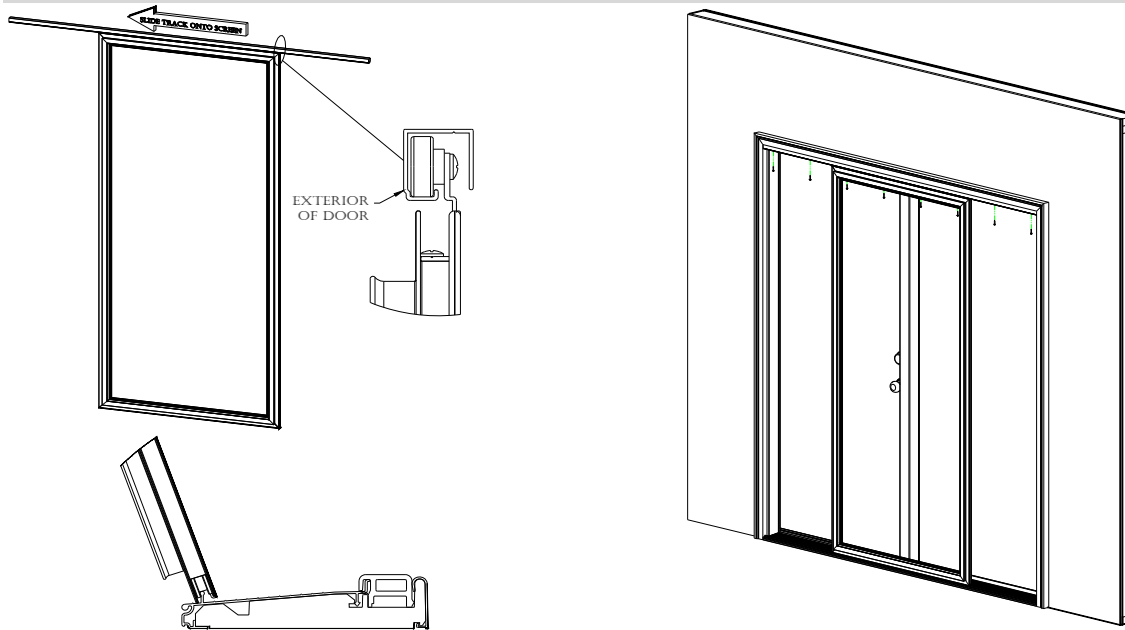


- Caulk must be applied to the intersection of the aluminum sill extrusion and the jamb.
- Seal front bottom edge of the sill.
- If a sill extender is installed, apply a bead of caulk where the extender meets the sill.
- Wincore also recommends that caulking be applied to the joint between the brick mould and jamb.

9: Install Lock/Deadbolt Hardware

- Install your specific lock and deadbolt hardware according to the manufacturer's supplied installation instructions.

10: Install Screen (For Patio Doors, Where Applicable)



• By using the roller carriage rollers as your guide, place rollers into the hanging track (Figure A)

NOTE: The beveled portion of the hanging track goes to the exterior of your door.

• With the hanging track attached to the screen, place the bottom guides of the screen on the screen rail of the threshold and tilt the screen into a vertical position (Figure B)

• Align the pre-drilled holes in the hanging track extrusion with the pre-drilled holes in the brick mould/header and install the provided screws into each empty hole (Figure C)

• Move the screen to the active panel of the patio door and install the screen keeper provided (reference the instructions attached to the screen in order to perform this step)

• Adjust the roller guides on the bottom of the screen as necessary (reference the instructions attached to the screen in order to perform this step)

11: Insulate

- Score shims with a utility knife and snap the shims along the score.
- Trim any excess with utility knife.
- Insulate around the top and sides of the door in the space between the jamb and the studs with fiberglass blanket insulation.

12: Install Trim

- Install any interior trim that may have been supplied with your unit.

WINCORE[™]
WINDOWS & DOORS