

PLAY:

WRITER:

DIRECTOR:

UNIT COUNTS:

0 14deg S4 (N/A was 11)

19 19deg S4 (Sub. was 8)

10 26deg S4 (1 ON TEE)

7 36deg S4 (4 ON TEES)

4 50deg S4 (1 ON TEE)

3 MINI 10 @500w

4 S4 PAR XWFL @575w

SIDE ARM COUNTS:

5 18" SIDE ARM

3 12" SIDE ARM

2 24" SIDE ARM

PIPE COUNTS

11 16-0" PIPE @ 1 1/2"

2 12-0" PIPE @ 1 1/2"

2 6-0" PIPE @ 1 1/2"

2 4-0" PIPE @ 1 1/2"

7 2-0" PIPE @ 1 1/2"

6 50LBS BOOM BASE

22 RIGID C.B.

6 SWIVEL C.B.

DIMMERS

1 48 RACK

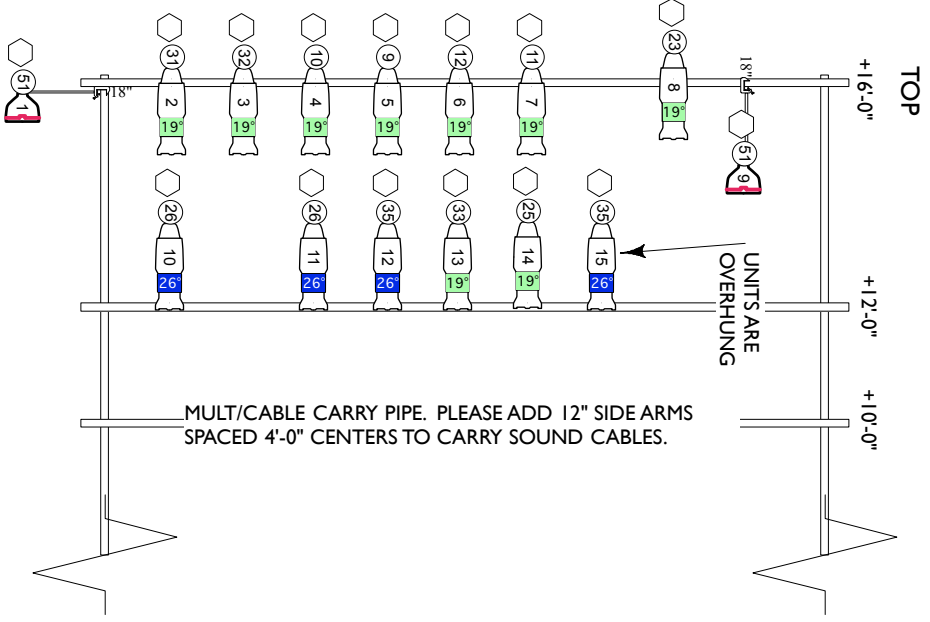
1 12 RACK

1 75' FEEDER SET

1 25' FEEDER SET

FEEDER IS RUN FROM BARN BREAKERS, OUT GANG PLANK, AND ALONG BACK OF AMP TO DIMMER WORLD.

SR GOALPOST



FOLLOW SPOT FROM PLATFORM HOUSE CENTER

CABLE COUNTS

1 10' MULTI

3 25' MULTI

1 50' MULTI

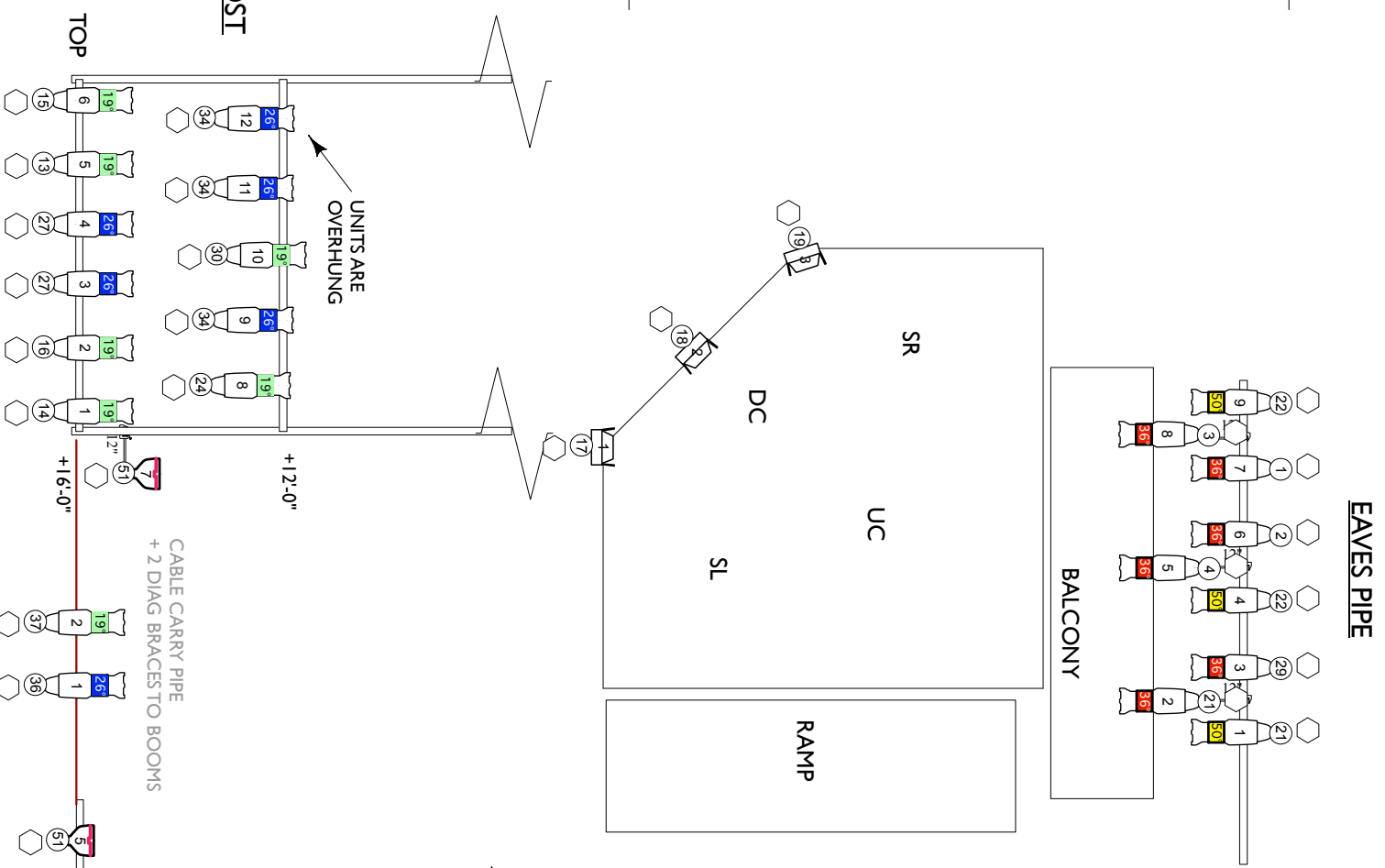
1 75' MULTI

1 100' MULTI

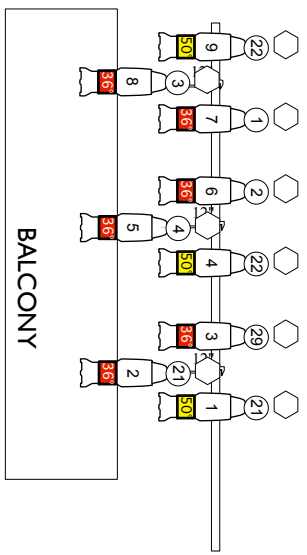
3 STAGE PIN HR @ 100'

1 DMX @ 250' (CONNECT DIMMER RACKS)

SL GOALPOST



EAVES PIPE

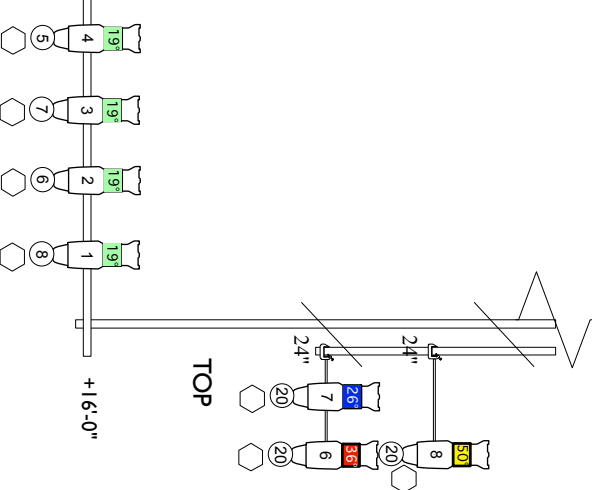


RUN FROM DINA BOOTH HATCH:
1 - 50' STAGGERED MULT (EAVES)
1 - 150' MULT
3 - 75' HOME RUNS (EAVES)

NOTES CONT.

- ~ THE 16' UPRIGHT NEXT TO THE BARN NEEDS A FLANGE RE-INSTALLED
- ~ SIDE ARMS OVER THE BOTTOM OF THE RAMP WANT TO HANG AS CLOSE TO STRAIGHT OUT AS POSSIBLE WHILE STILL LEAVING ROOM FOR MAINTENANCE
- ~ 16' UPRIGHT NEXT TO STAIRS BY THE DINA SHOULD BE FASTENED TO THE RAILING. USE 2-0" PIPES AND A 4-0" DIAGONAL PIPE T O BRACE.
- ~ FEEDER RUNS OUT OFF OF THE BARN GANGPLANK AND SHOULD RUN ALONG THE BOTTOM PIPE OF THE GOAL POST SO THAT ENDS LAND NEAR THE BASE OF THE FAR UPRIGHT (MAKING TIEING FOR GALA POWER EASIER)
- ~ BOOM BASE NEXT TO STAIRS NEXT TO DINA CAN BE SUBSTITUTED FOR 1 35LBS BASE.

VERTICAL LEFT



AMPHITHEATRE

O'NEILL PLAYWRIGHTS CONFERENCE 2018

LIGHTING: R. DAVIS & C. DEANGELIS
M.E.: AUSTIN HAYES

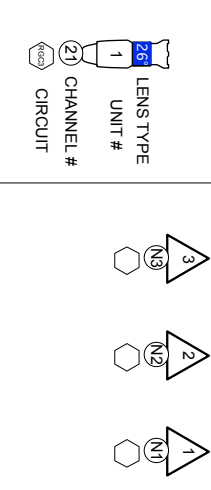
REPERTORY LIGHT PLOT

SCALE: NOT TO SCALE | DATE: 5.24.2018

KEY:



LEGEND



NOTES:

- ~ 3 HOT POWER CIRCUITS RUN TO AMP BOOTH FOR TECH
- ~ DIMMERS ARE LOCATED IN 2 PLACES: 12 RACK IS PLACED IN DINA BOOTH, DMX RUN GOES THROUGH GUTTER TO THE 48 RACK; THE 48 RACK IS IN THE BACK OF THE HOUSE NEXT TO THE BOOTH.
- ~ CABLE CARRY PIPES NEED TO BE BRACED BY 2 6-0" PIPES
- ~ GOAL POSTS SHOULD BE FASTENED TO FENCE FOR STABILITY
- ~ VERTICAL LEFT POSITION WILL HAVE ADDITIONAL SUPPORT FROM A 16' BOOM