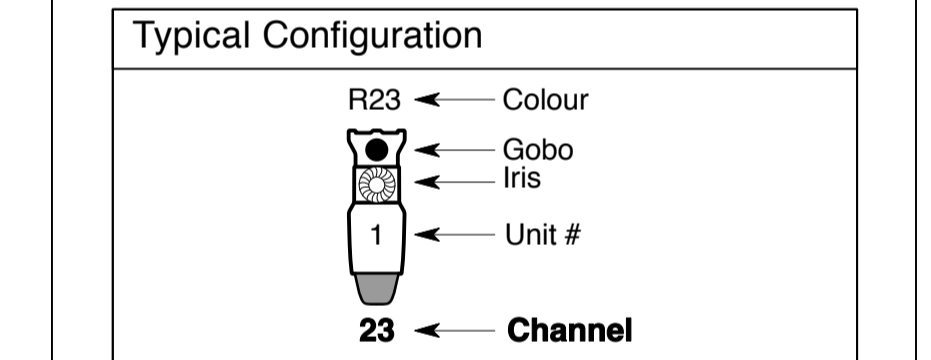


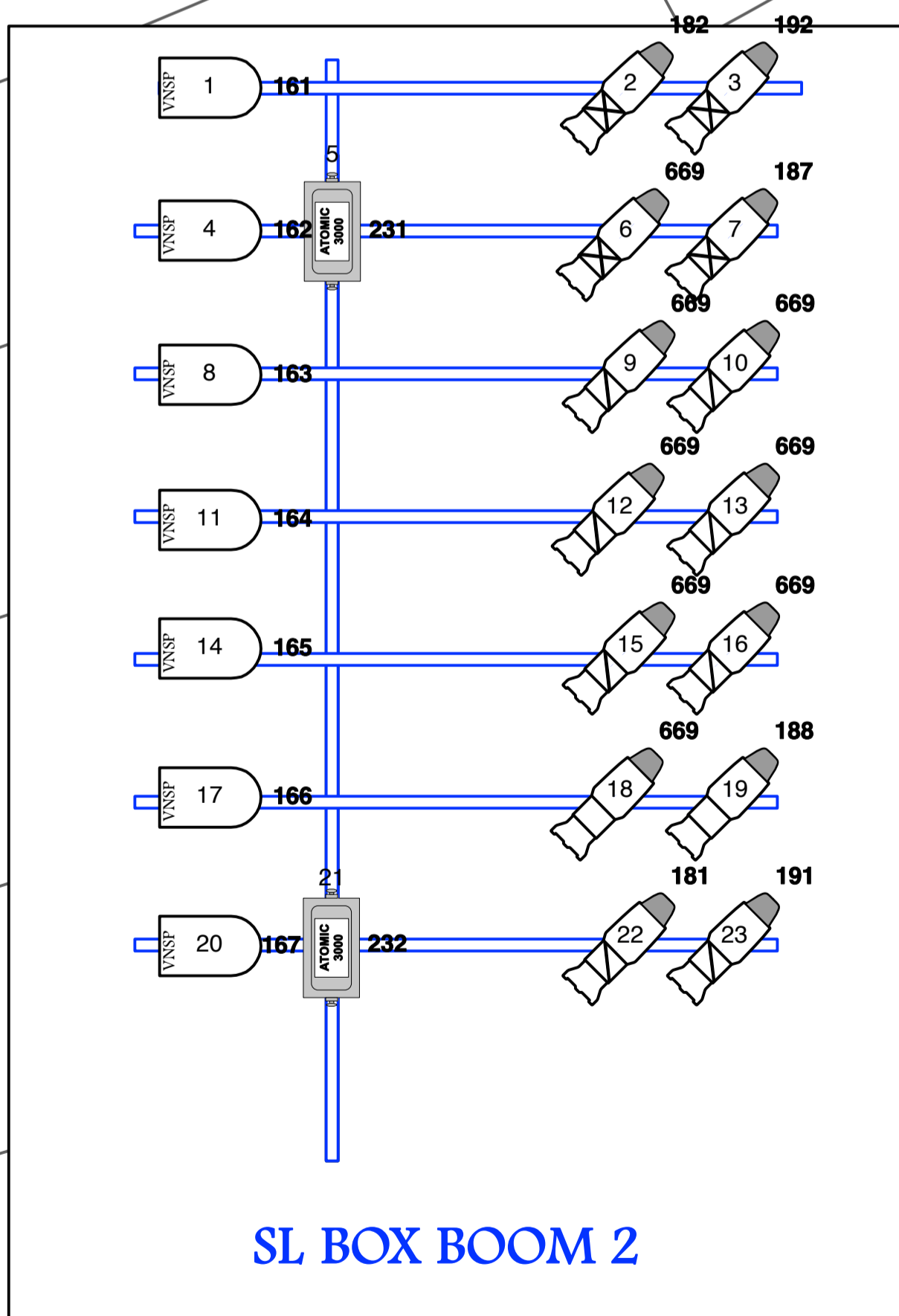
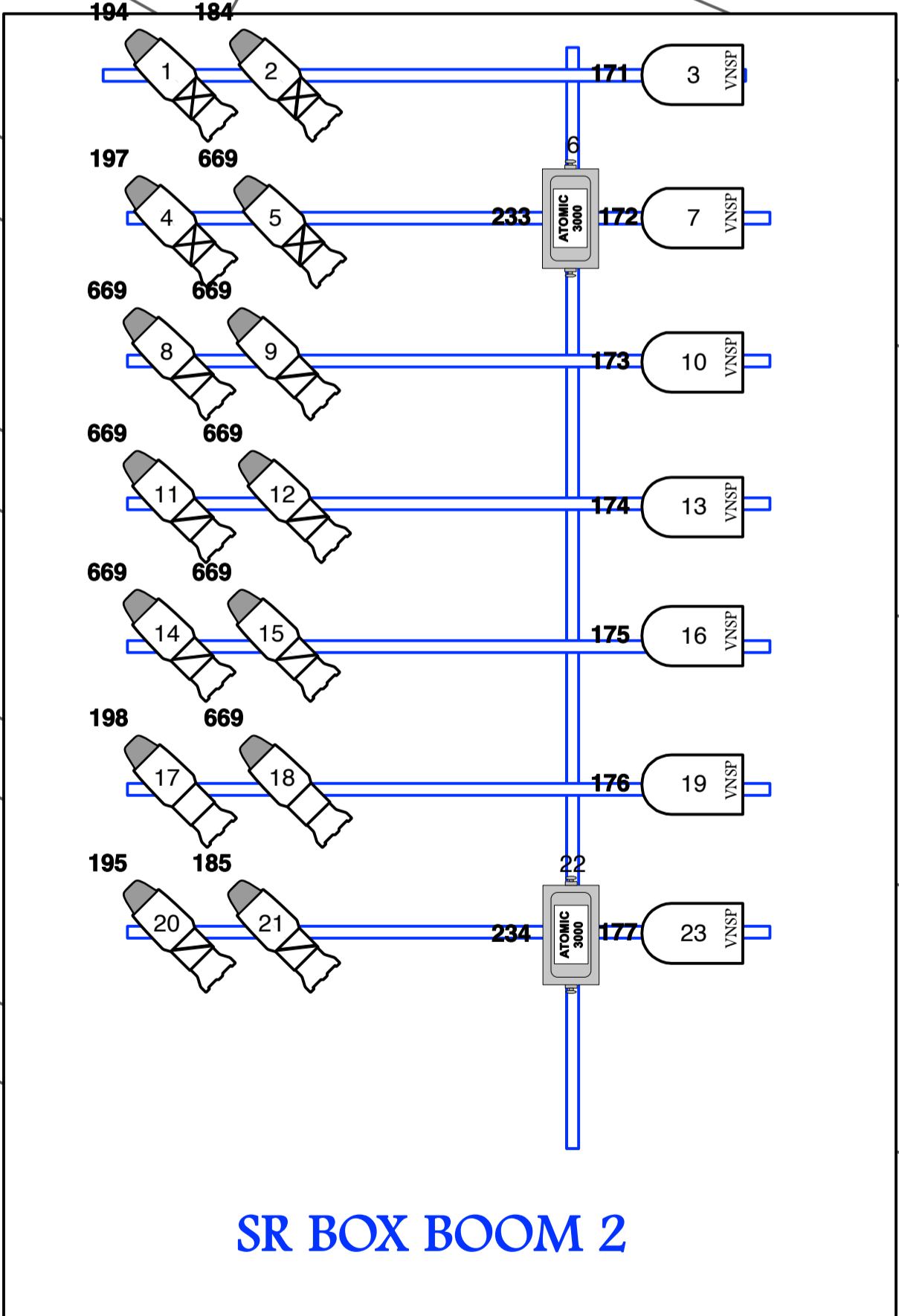
- LEGEND**
- Source 4 10' - 750w
 - Source 4 19' - 750w
 - Source 4 26' - 750w
 - Source 4 36' - 750w
 - MAC II Performance - 1200w
 - Mac Aura
 - VL 1000AS
 - Clay Paky Sharpy
 - Ari 5k Studio Fresnel
 - Wildfire UV Unit - 400w
 - Source 4 PAR VNSP - 750w
 - Cyc Strip 3
 - Far Cyc 3 Cell
 - Par 64 VNSP - 1000w
 - MR-16 Birdie - 150w
 - Wybron Forerunner 7.5' Scroller
 - Wybron Coloram 7.5' Scroller
 - Martin Atomic Strobe



LIMITS OF LIABILITY

THIS DRAWING AND ALL THE IDEAS, SKETCHES, INFORMATION, LISTS, INSTRUCTIONS, DESIGNS, AND PLANS INDICATED THEREIN OR REPRESENTED THEREBY ARE OWNED BY AND REMAIN THE PROPERTY OF STEPHEN SAKOWSKI AND HAVE BEEN CREATED AND DEVELOPED FOR USE ON AND IN CONNECTION WITH THE SPECIFIC PROJECT AND SPECIFIED COMPANY. NEITHER THIS DRAWING, NOR ANY SUCH IDEAS, SKETCHES, INFORMATION, LISTS, INSTRUCTIONS, DESIGNS, AND PLANS SHALL BE APPROPRIATED BY OR DISCLOSED TO ANY OTHER CORPORATION, FIRM, OR PERSON FOR ANY USE OR PURPOSE WHATSOEVER, EXCEPT BY THE SPECIFIC WRITTEN PERMISSION OF MICHAEL WALTON.

THE IMPLEMENTATION OF THIS LIGHTING DESIGN BY THE COMPANY MUST COMPLY WITH THE MOST STRINGENT APPLICABLE FEDERAL AND LOCAL SAFETY AND FIRE CODES. ALL DRAWINGS, EQUIPMENT LISTS, AND LIGHTING PLOTS REPRESENT DESIGN INTENT AND VISUAL CONCEPTS ONLY. THE LIGHTING DESIGNER IS UNQUALIFIED TO DETERMINE STRUCTURAL APPROPRIATENESS OF THIS DESIGN, AND WILL NOT ASSUME RESPONSIBILITY FOR IMPROPER ENGINEERING, CONSTRUCTION, HANDLING, OR USE OF THE LIGHTING EQUIPMENT WHICH IMPLEMENTS THIS DESIGN.



LA JOLLA PLAYHOUSE

YOSHIMI BATTLES THE PINK ROBOTS

MANDELL WEISS THEATRE

SHEET **02**

DIRECTED BY DES MCANUFF
LIGHTING DESIGNER: MICHAEL WALTON

DRAWING: **LIGHTING PLOT**
(FOH)

SCALE: 1/2"=1'0" DATE: 10.08.12

REVISOR: Nov. 17th, 2012

The drawing represents visual concepts and construction requirements only. The designer does not assume responsibility for structural integrity or safety of any assembly used in rehearsal or performance. All materials and construction methods must conform to the strictest applicable codes.