

SECOND GENERATION ARC 'N SPARK WELDING

Employment Application



APPLICANT INFORMATION									
Last Name			First			M.I.		Date	
Street Address					Apartment/Unit #				
City				State		ZIP			
Phone									
Date Available			Social Security No.			Desired Salary			
Position Applied for									
Are you a citizen of the United States?			YES <input type="checkbox"/>	NO <input type="checkbox"/>	If no, are you authorized to work in the U.S.?			YES <input type="checkbox"/>	NO <input type="checkbox"/>
Have you ever worked for this company?			YES <input type="checkbox"/>	NO <input type="checkbox"/>	If so, when?				
Have you ever been convicted of a felony?			YES <input type="checkbox"/>	NO <input type="checkbox"/>	If yes, explain				
EDUCATION									
High School				Address					
From	To	Did you graduate?		YES <input type="checkbox"/>	NO <input type="checkbox"/>	Degree			
College				Address					
From	To	Did you graduate?		YES <input type="checkbox"/>	NO <input type="checkbox"/>	Degree			
Other				Address					
From	To	Did you graduate?		YES <input type="checkbox"/>	NO <input type="checkbox"/>	Degree			
REFERENCES									
<i>Please list three professional references.</i>									
Full Name					Relationship				
Company					Phone ()				
Address									
Full Name					Relationship				
Company					Phone ()				
Address									
Full Name					Relationship				
Company					Phone ()				
Address									

PREVIOUS EMPLOYMENT

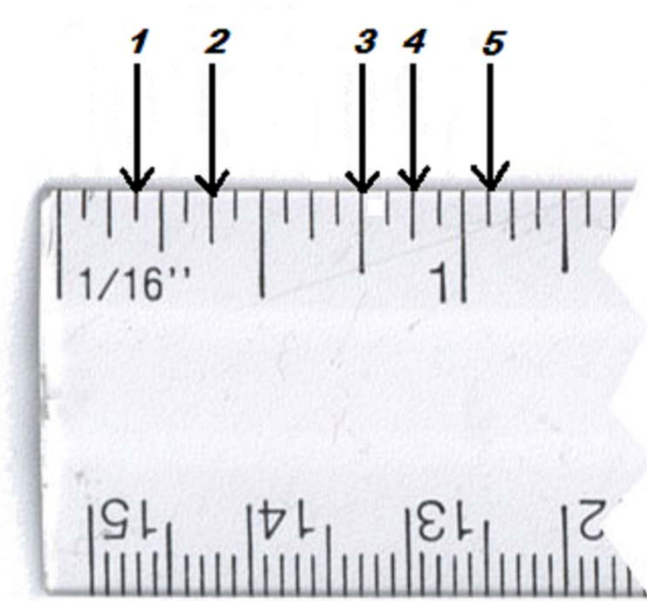
Company				Phone	()	
Address				Supervisor		
Job Title			Starting Salary	\$	Ending Salary	\$
Responsibilities						
From		To		Reason for Leaving		
May we contact your previous supervisor for a reference?			YES <input type="checkbox"/>	NO <input type="checkbox"/>		
Company				Phone	()	
Address				Supervisor		
Job Title			Starting Salary	\$	Ending Salary	\$
Responsibilities						
From		To		Reason for Leaving		
May we contact your previous supervisor for a reference?			YES <input type="checkbox"/>	NO <input type="checkbox"/>		
Company				Phone	()	
Address				Supervisor		
Job Title			Starting Salary	\$	Ending Salary	\$
Responsibilities						
From		To		Reason for Leaving		
May we contact your previous supervisor for a reference?			YES <input type="checkbox"/>	NO <input type="checkbox"/>		

DISCLAIMER AND SIGNATURE

I certify that my answers are true and complete to the best of my knowledge.
 If this application leads to employment, I understand that false or misleading information in my application or interview may result in my release.

Signature			Date	
-----------	--	--	------	--

General Knowledge Test



Write the measurements shown.

- 1)
- 2)
- 3)
- 4)
- 5)

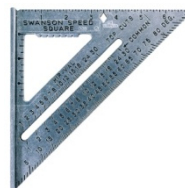
Name these tools.



6)



7)



8)

9) What electrode would be used to weld Carbon to Stainless Steel?

10) What shielding gas is used for TIG welding Stainless Steel?

11) Write down four of the most useful forms of PPE used in the welding/fabrication industry.

12) What tools would be needed to two hole a flange?

13) What electrode is best used for penetrating galvanized coating? (Circle One)

A) 309

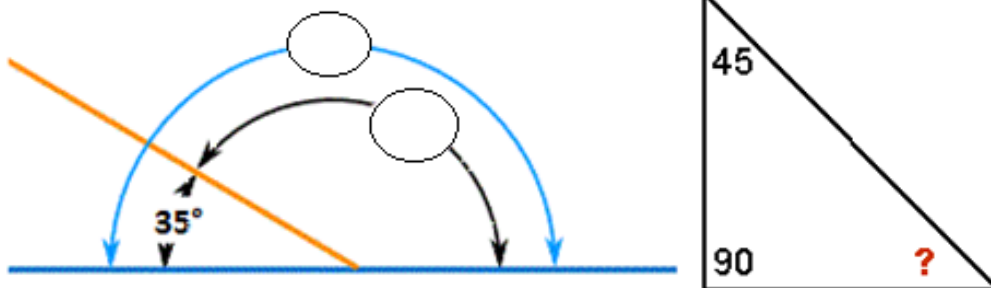
B) 6011

C) 7018

D) 8018

14) How many pounds are in a ton?

15) Write in the numbers for the missing angles



16) The gap produced when you cut metal with a saw or torch is called a _____.

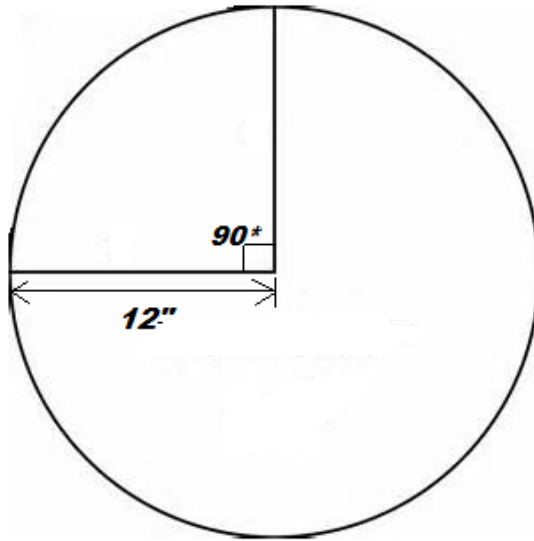
17) When TIG welding steel what current would be used?

A) DCEP

C) CCVV

B) DCEN

D) WTFM



Fill in the missing measurements

18) Radius= _____

19) Diameter= _____

20) Circumference= _____

21) Your supervisor gives you four pieces of square tubing, pre-cut to length and asks you to build a simple frame. The only tools you have are a welding machine and a tape measure, could you square the frame?

Explain: