



Precasting performed by:

Conigliaro Block, Inc. in Framingham, MA

Redi-mixed concrete or grout mix supplied by:

Conigliaro Block, Tresca Brothers or Dauphinais Concrete

Mix Design:

Blocks may be precast using any of the following mixes –

Standard Concrete - 2000, 3000, 4000, 5000 psi

State Mix Concrete - 3000, 4000, 5000 psi

Plas-Crete (contains recycled plastic aggregate rather than stone)

Dust-Crete (contains recycled polishing dusts)

Agg-Crete (contains recycled concrete, brick, porcelain, glass & other aggregates)

Econo-Mix (contains some or all of the above, lower cost, lower psi mix)

Block Dimensions:

Precast blocks are available in Standard and Jumbo product lines per drawings on the following pages

Other Considerations:

Full or half cap, full or half radius, angle, designer face finishes, special length as well as other variations of both our standard or jumbo blocks are available to fulfill specific project requirements. Call Conigliaro Block for more details.

Please note: the dimensions presented by Conigliaro Block provide theoretical length, height and depth dimensions for our various block products. The final actual cured block dimensions are subject to variations, in the range of plus or minus ¼” in any direction, due to a number of factors, including:

Concrete mix design

Concrete curing

Ambient temperature during block production

Use of heat and/or chemical accelerants

Slump of the concrete

Form dimensional variations due to manufacturing tolerances and/or deflection

Other unforeseen factors

Depth dimensions also differ from theoretical if rough stone, cut stone or other designer face finishes are applied to the face of the blocks. Call Conigliaro Block for further dimensional information if you plan to order blocks with designer face finishes.

The male and female knob dimensions are the same on all blocks, including all blocks within the standard and jumbo lines of blocks.

Questions about this specification may be addressed to:



701 Waverly Street, Framingham, MA 01702

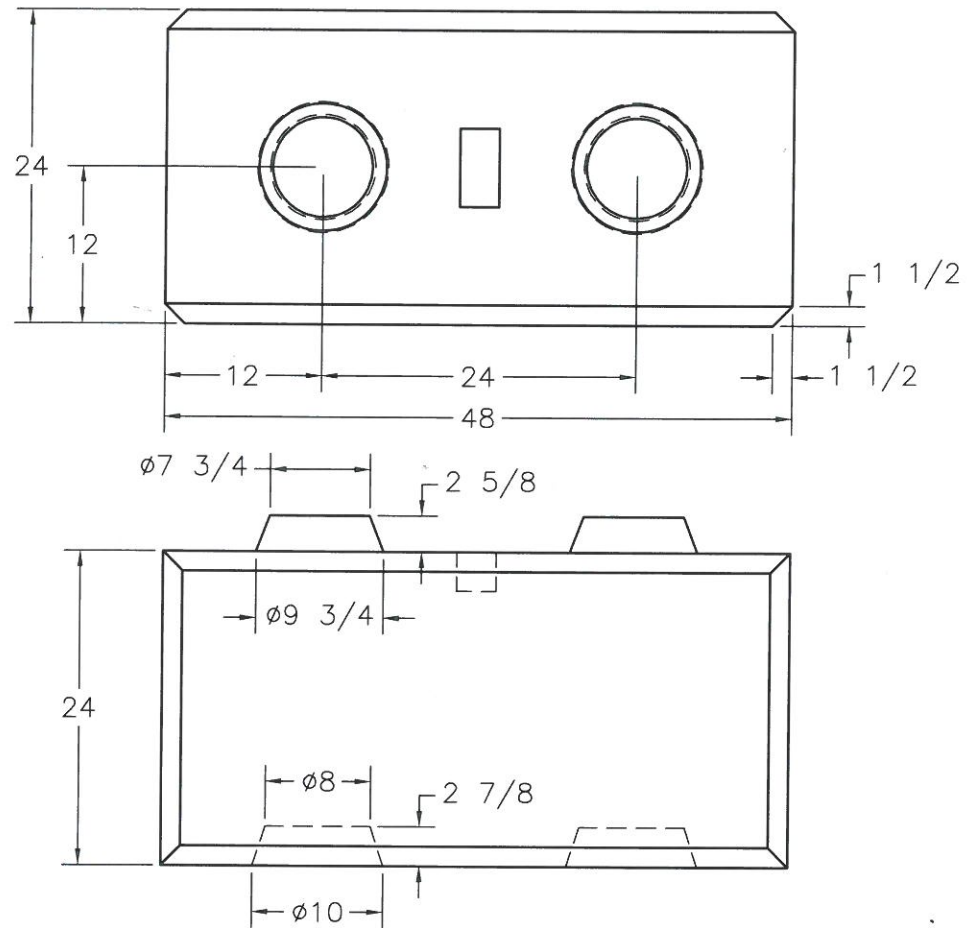
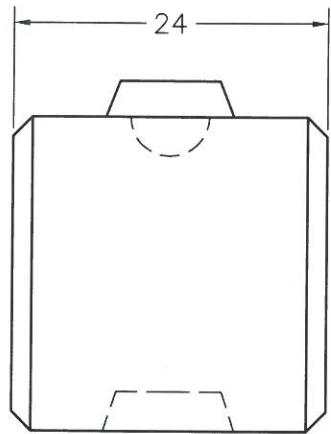
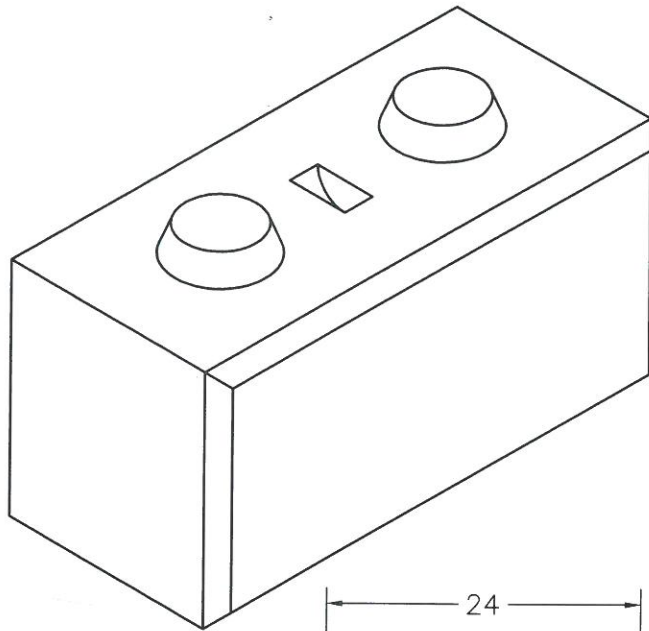
(888) 266-4425, (508) 872-9668

fax (508) 653-6672

email: [sales@conigliaroblock.com](mailto:sales@conigliaroblock.com)

website: [www.conigliaroblock.com](http://www.conigliaroblock.com)

V02152022



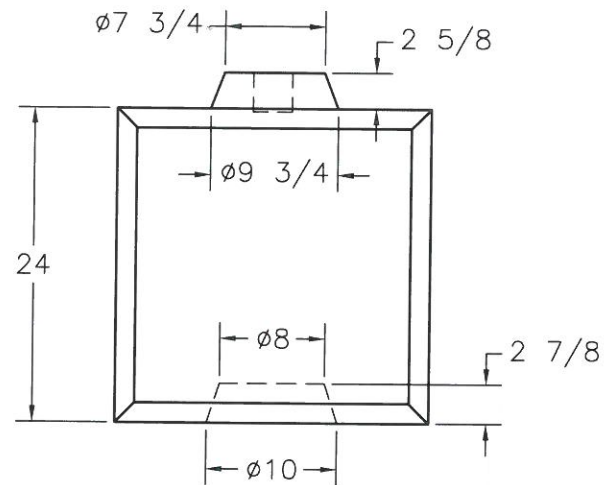
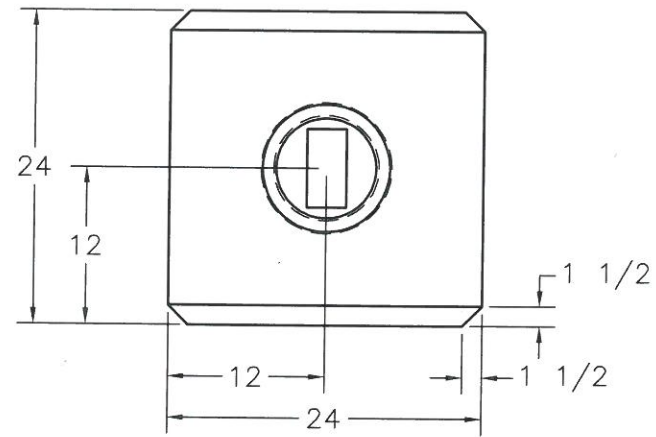
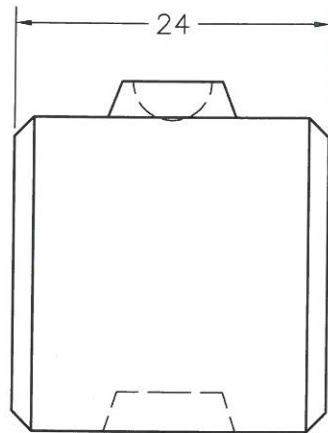
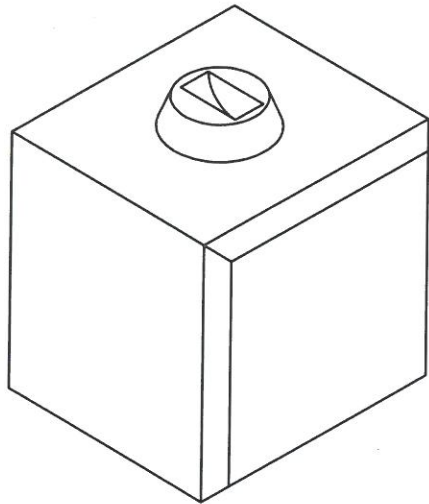
24" x 24" x 48" Knob Block  
with Beveled Edges



701 Waverly Street, Framingham, MA 01702

(888) 266- 4425, fax 508-653-6672

[sales@conigliaroblock.com](mailto:sales@conigliaroblock.com) [www.conigliaroblock.com](http://www.conigliaroblock.com)



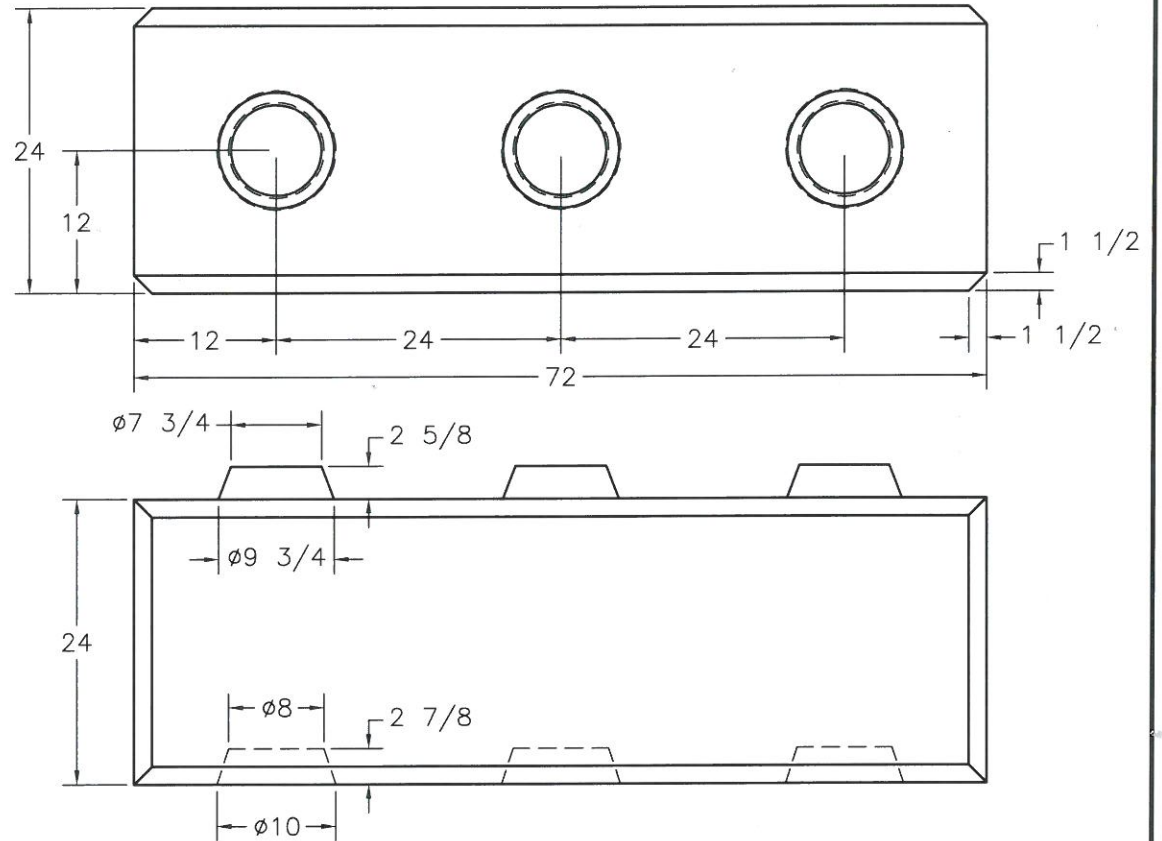
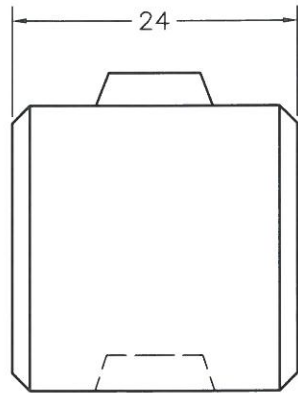
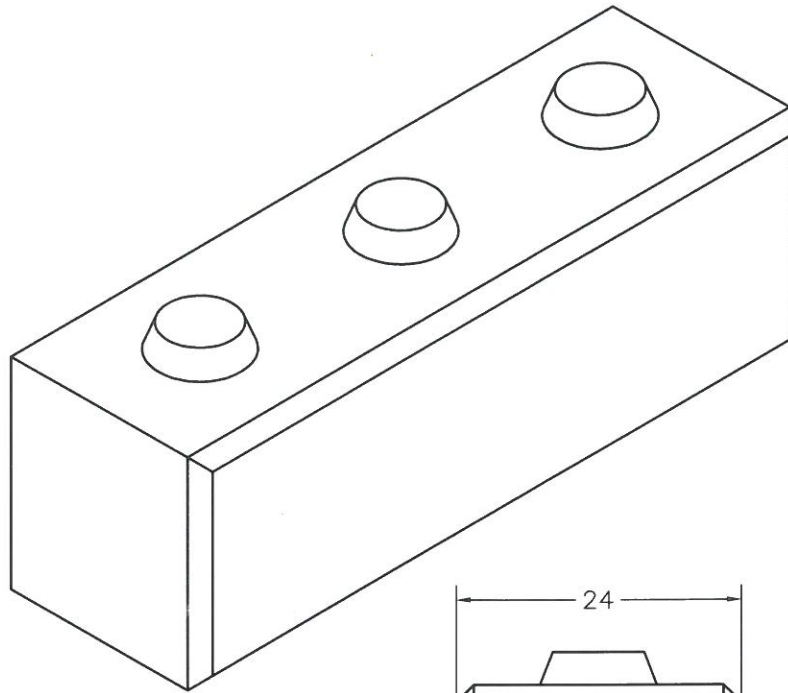
24" x 24" x 24" Half Knob Block  
with Beveled Edges



701 Waverly Street, Framingham, MA 01702

(888) 266- 4425, fax 508-653-6672

[sales@conigliaroblock.com](mailto:sales@conigliaroblock.com) [www.conigliaroblock.com](http://www.conigliaroblock.com)



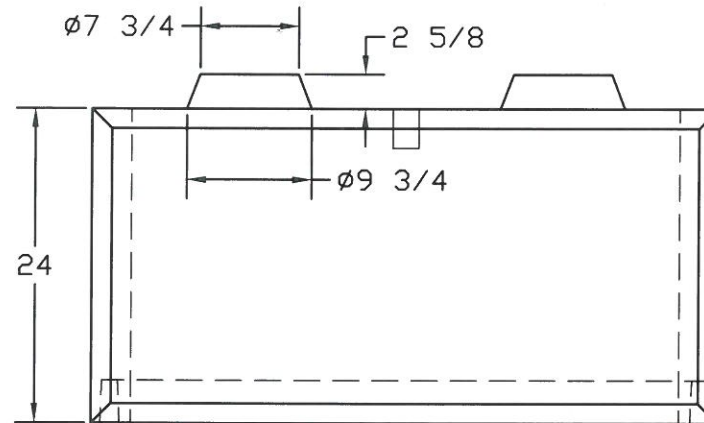
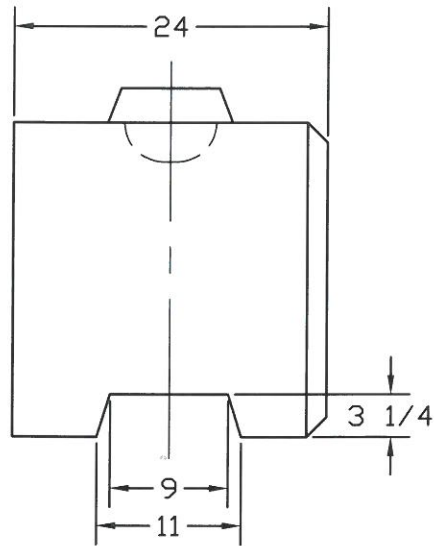
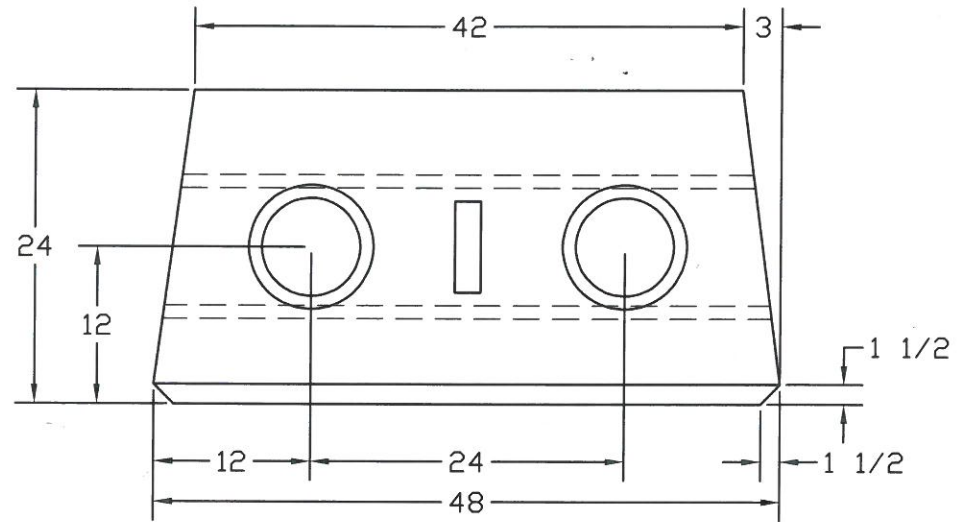
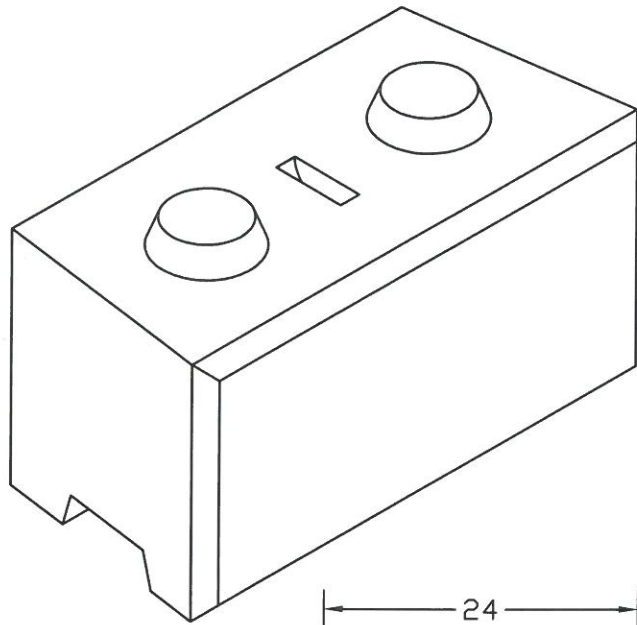
24" x 24" x 72" Knob Block with Beveled Edges



701 Waverly Street, Framingham, MA 01702

(888) 266- 4425, fax 508-653-6672

[sales@conigliaroblock.com](mailto:sales@conigliaroblock.com) [www.conigliaroblock.com](http://www.conigliaroblock.com)



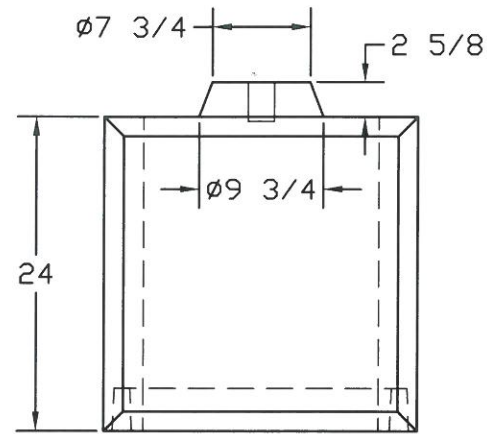
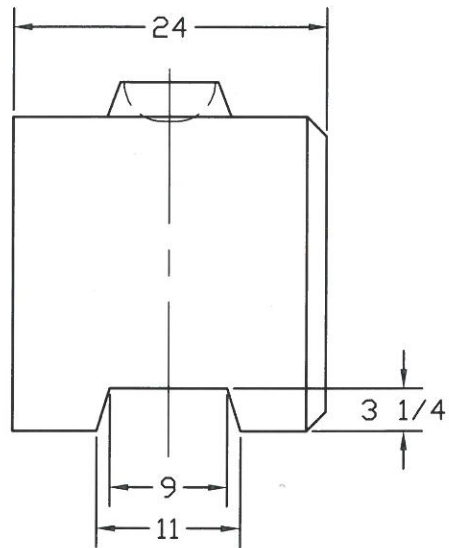
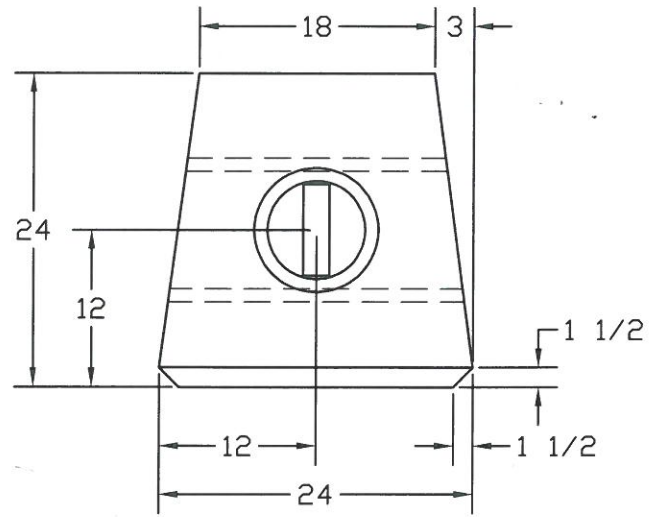
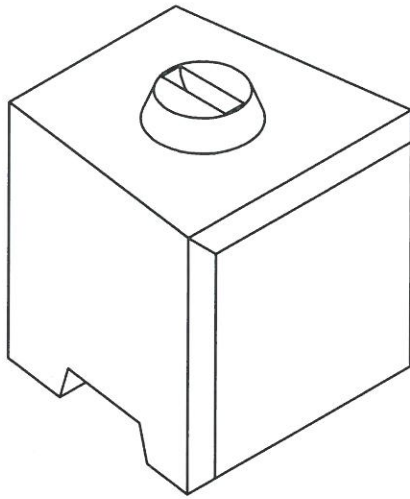
24" x 24" x 48" Knob Radius  
Block with Beveled Edges



701 Waverly Street, Framingham, MA 01702

(888) 266-4425, fax 508-653-6672

[sales@conigliaroblock.com](mailto:sales@conigliaroblock.com) [www.conigliaroblock.com](http://www.conigliaroblock.com)



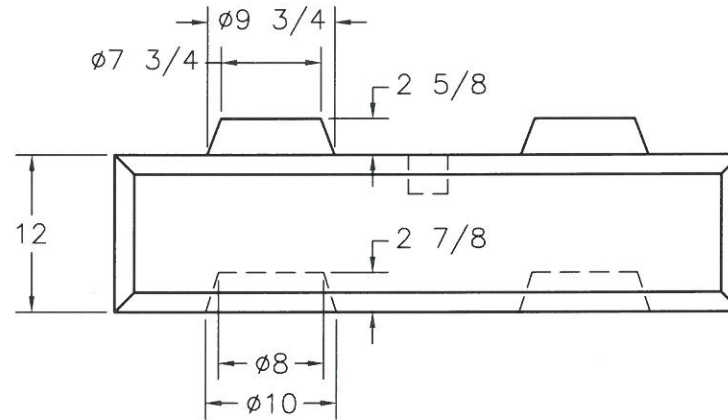
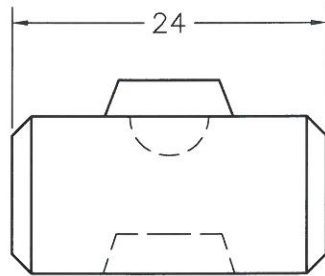
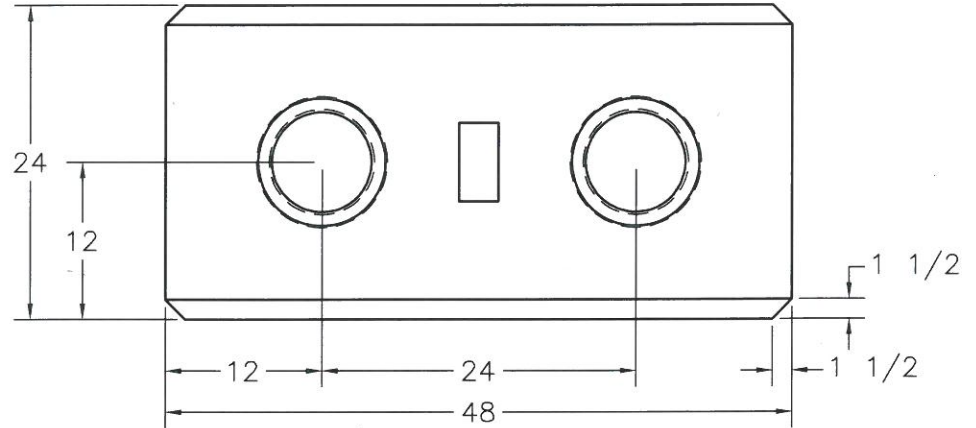
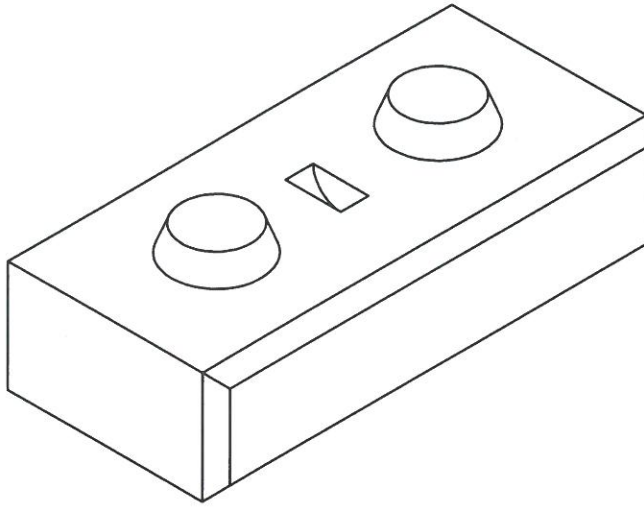
24" x 24" x 24" Half Knob Radius  
Block with Beveled Edges



701 Waverly Street, Framingham, MA 01702

(888) 266- 4425, fax 508-653-6672

[sales@conigliaroblock.com](mailto:sales@conigliaroblock.com) [www.conigliaroblock.com](http://www.conigliaroblock.com)



12" x 24" x 48" Knob Block  
with Beveled Edges

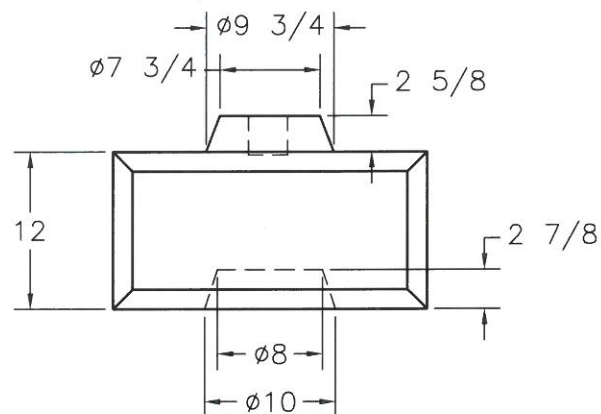
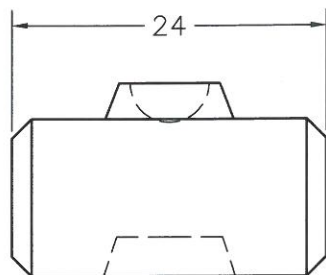
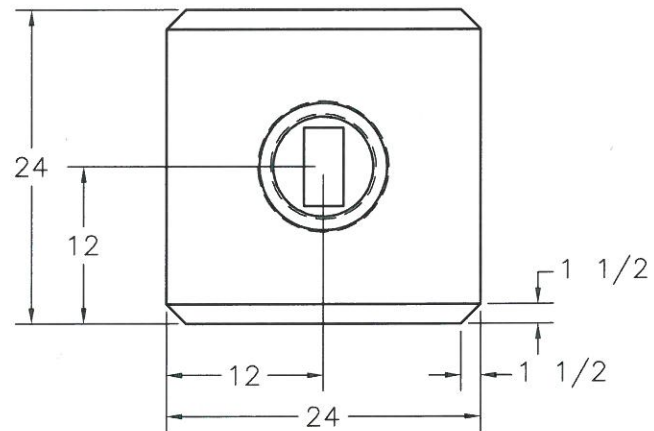
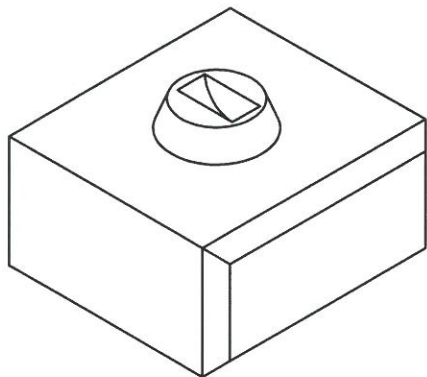


701 Waverly Street, Framingham, MA 01702

(888) 266- 4425, fax 508-653-6672

[sales@conigliaroblock.com](mailto:sales@conigliaroblock.com) [www.conigliaroblock.com](http://www.conigliaroblock.com)





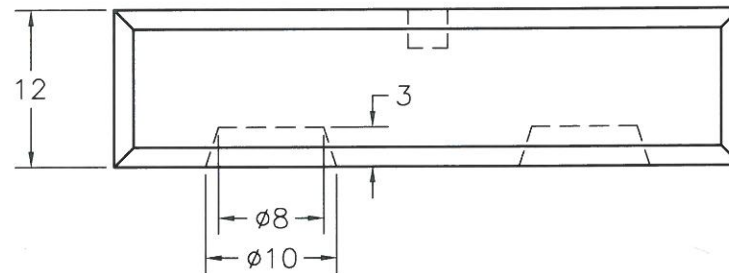
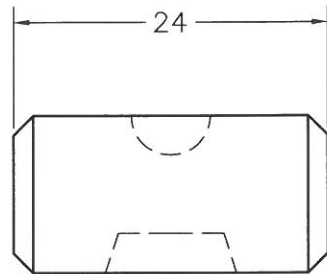
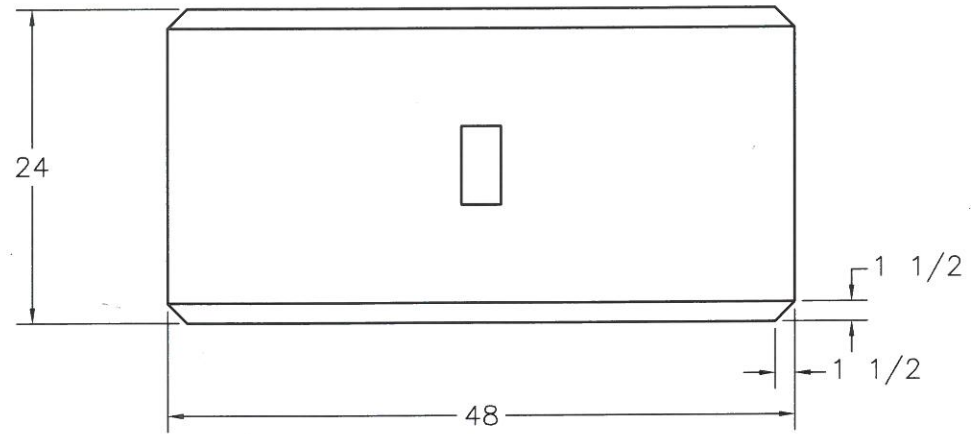
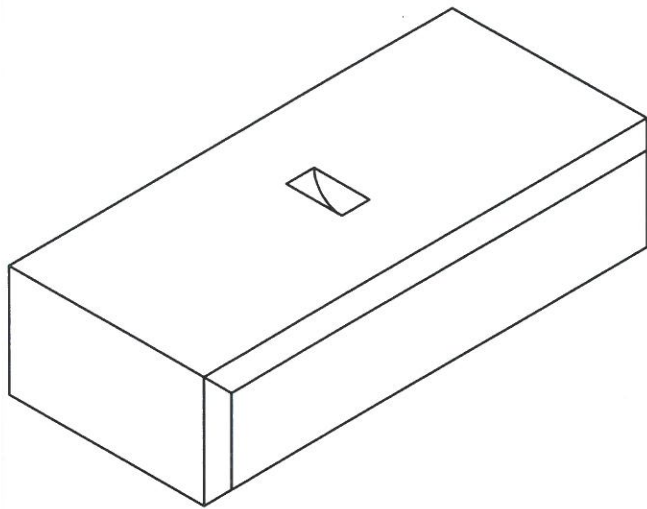
12" x 24" x 24" Knob Block  
with Beveled Edges



701 Waverly Street, Framingham, MA 01702

(888) 266-4425, fax 508-653-6672

[sales@conigliaroblock.com](mailto:sales@conigliaroblock.com) [www.conigliaroblock.com](http://www.conigliaroblock.com)



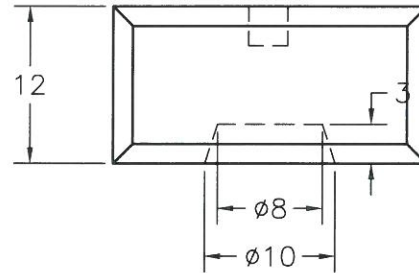
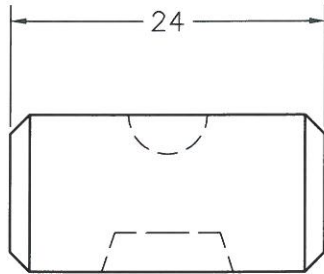
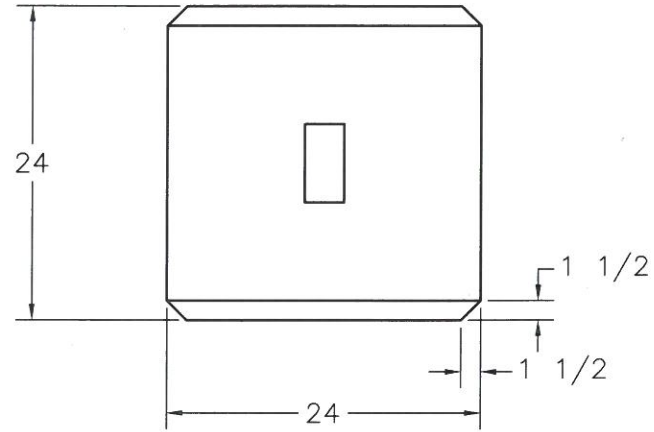
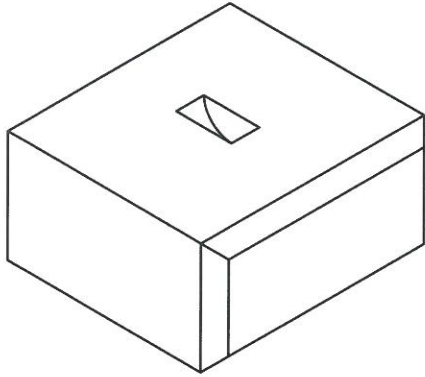
12" x 24" x 48" Flat Top Block  
with Beveled Edges



701 Waverly Street, Framingham, MA 01702

(888) 266- 4425, fax 508-653-6672

[sales@conigliaroblock.com](mailto:sales@conigliaroblock.com) [www.conigliaroblock.com](http://www.conigliaroblock.com)



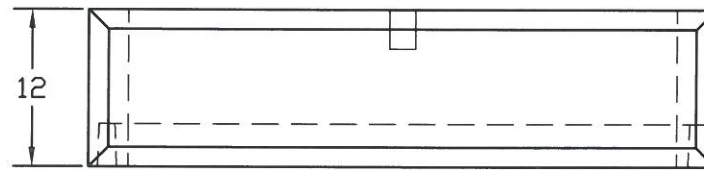
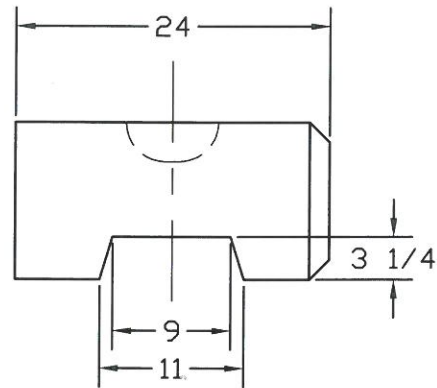
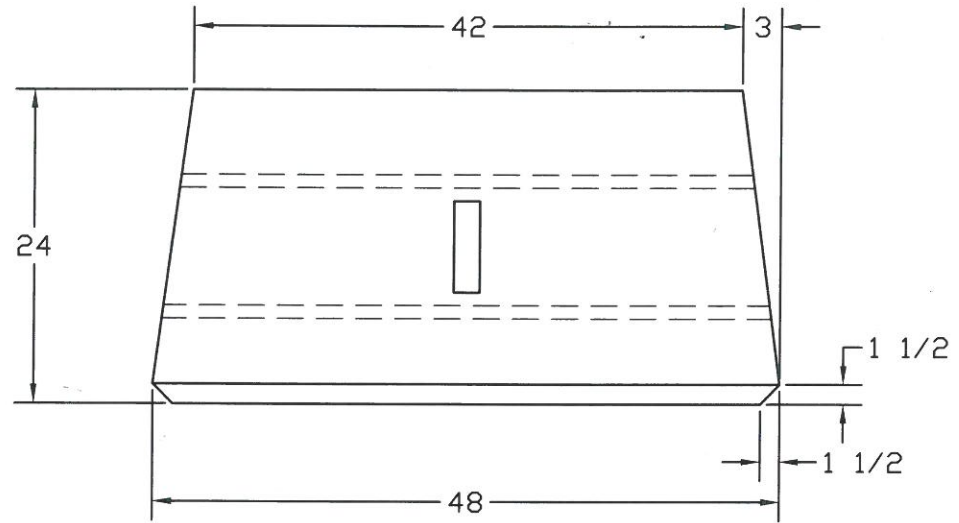
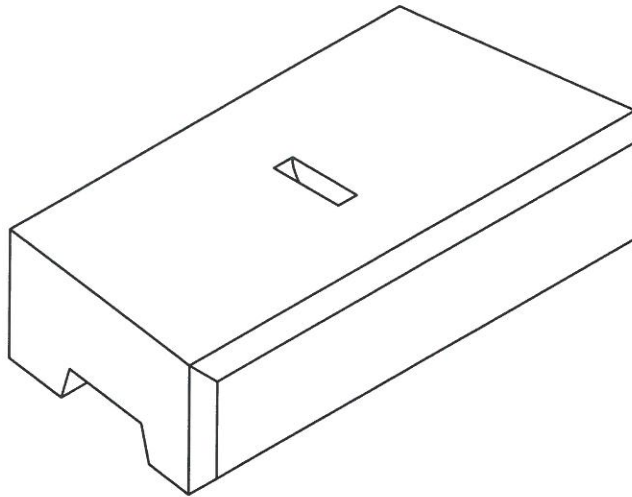
12" x 24" x 24" Flat Top Block  
with Beveled Edges



701 Waverly Street, Framingham, MA 01702

(888) 266- 4425, fax 508-653-6672

[sales@conigliaroblock.com](mailto:sales@conigliaroblock.com) [www.conigliaroblock.com](http://www.conigliaroblock.com)



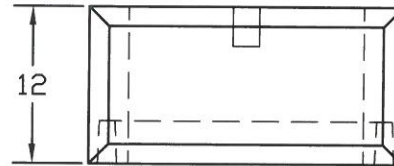
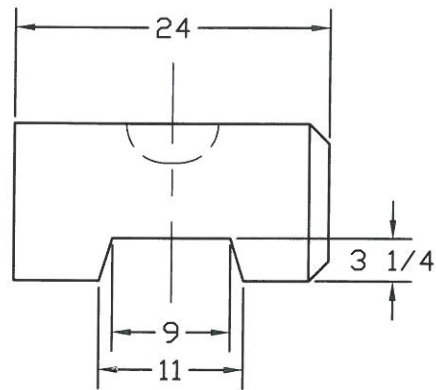
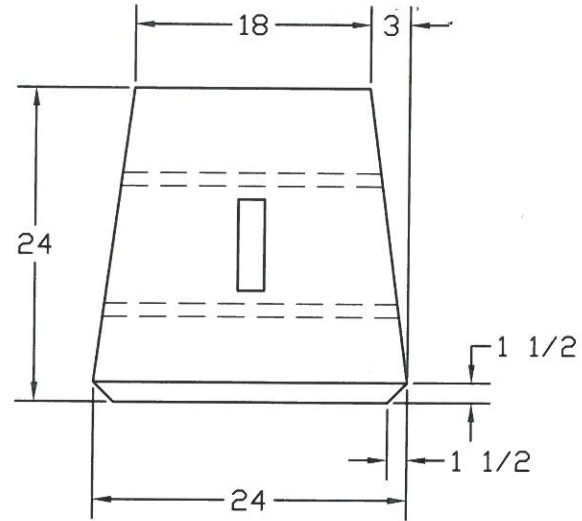
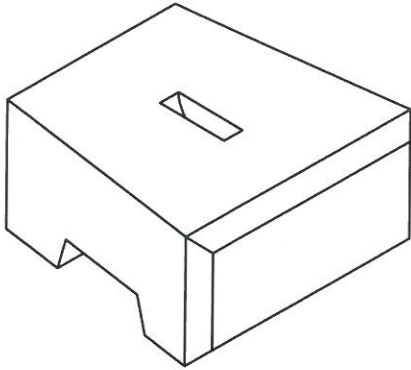
12" x 24" x 48" Flat Top Radius  
Block with Beveled Edges



701 Waverly Street, Framingham, MA 01702

(888) 266- 4425, fax 508-653-6672

[sales@conigliaroblock.com](mailto:sales@conigliaroblock.com) [www.conigliaroblock.com](http://www.conigliaroblock.com)



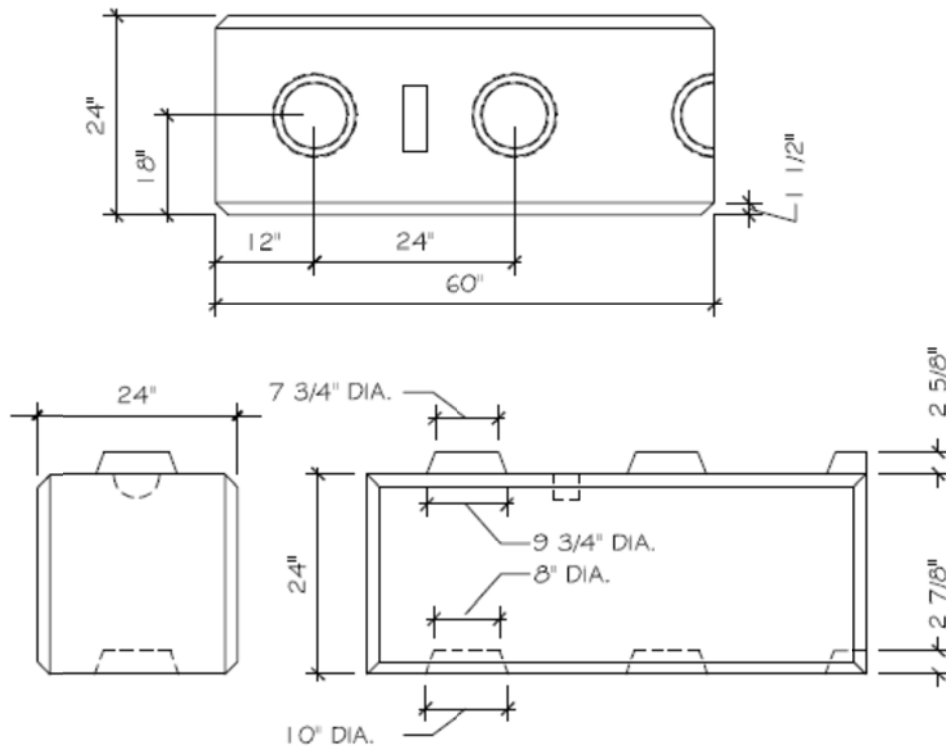
12" x 24" x 24" Half Flat Top  
Radius Block with Beveled Edges



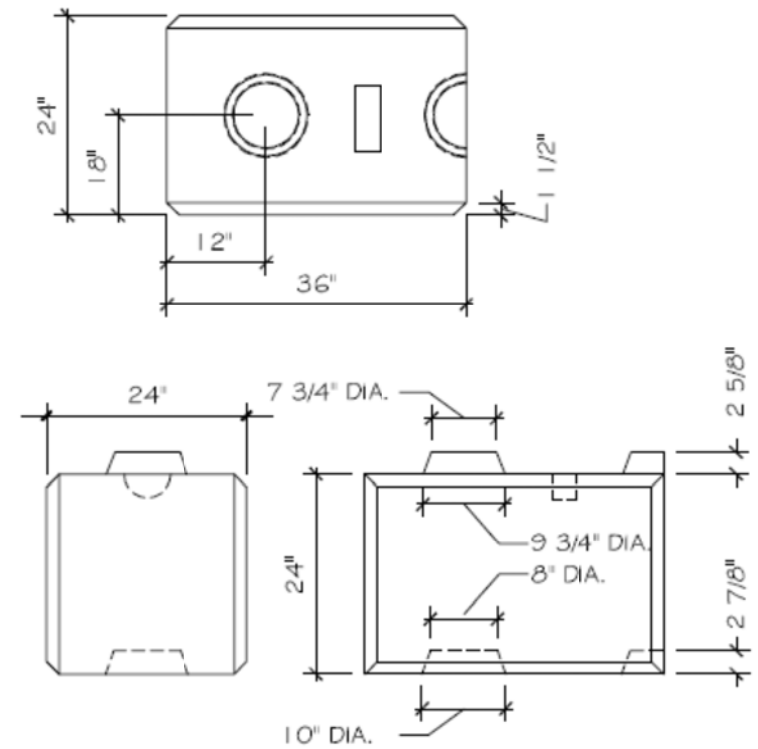
701 Waverly Street, Framingham, MA 01702

(888) 266- 4425, fax 508-653-6672

[sales@conigliaroblock.com](mailto:sales@conigliaroblock.com) [www.conigliaroblock.com](http://www.conigliaroblock.com)



STANDARD 5' JAM KNOB BLOCK



STANDARD 3' JAM KNOB BLOCK

STANDARD JAM BLOCKS WITH BEVELED EDGES

SCALE: 1/2" = 1'-0"

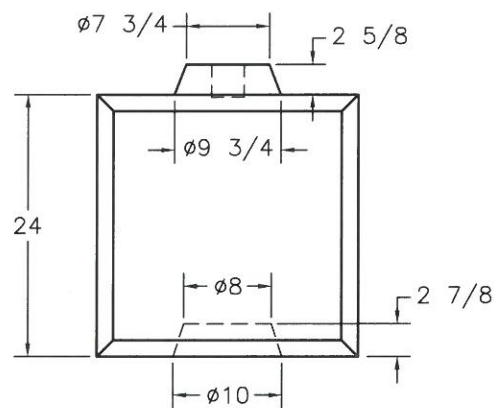
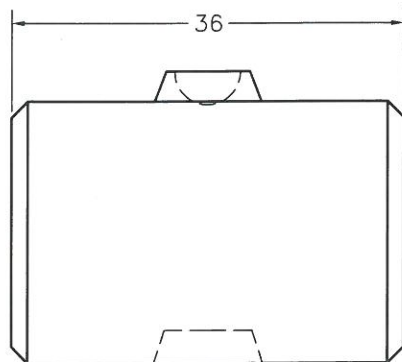
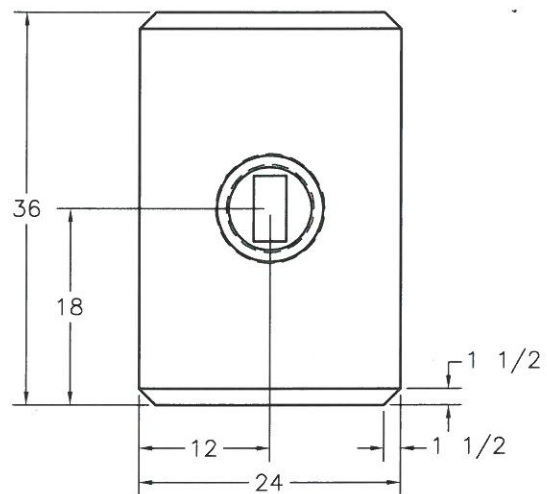
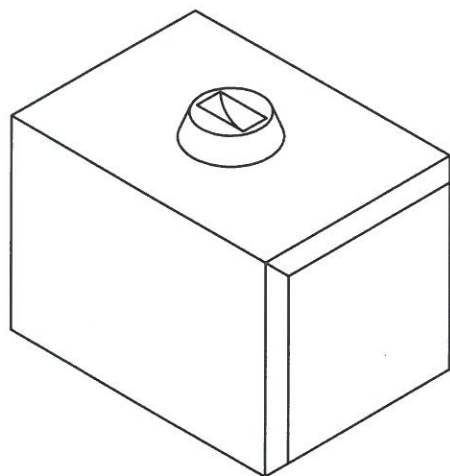
Please Note – Jam blocks may be ordered right or left facing, i.e. the blocks shown above are both “right facing” whereby the bisected knob is shown on the right edge of the block. If “left facing” the bisected knob would be shown on the left edge of the block.



701 Waverly Street, Framingham, MA 01702

(888) 266- 4425, fax 508-653-6672

[sales@conigliaroblock.com](mailto:sales@conigliaroblock.com) [www.conigliaroblock.com](http://www.conigliaroblock.com)



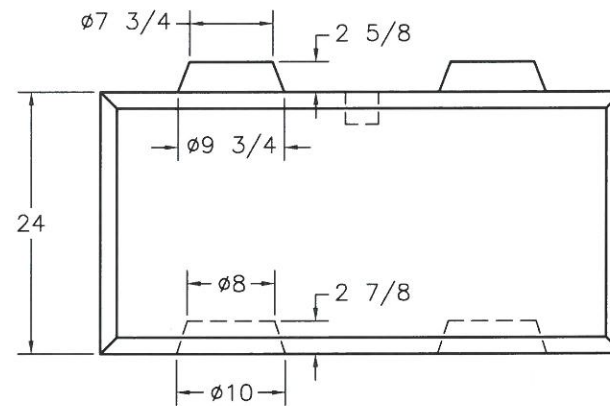
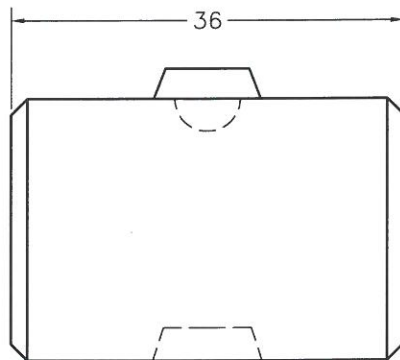
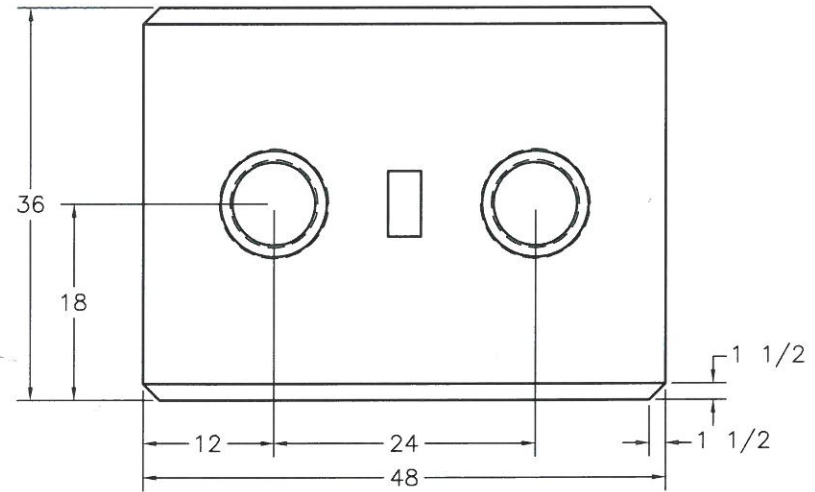
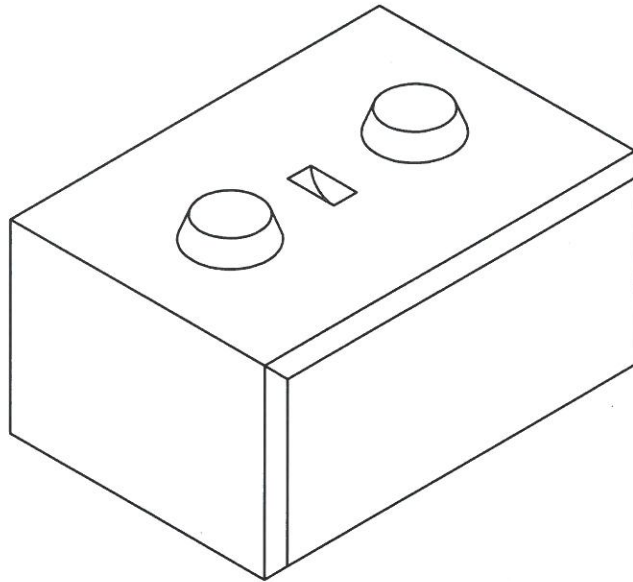
24" x 36" x 24" Jumbo Half Knob  
Block with Beveled Edges



701 Waverly Street, Framingham, MA 01702

(888) 266-4425, fax 508-653-6672

[sales@conigliaroblock.com](mailto:sales@conigliaroblock.com) [www.conigliaroblock.com](http://www.conigliaroblock.com)



24" x 36" x 48" Jumbo Knob  
Block with Beveled Edges



701 Waverly Street, Framingham, MA 01702

(888) 266- 4425, fax 508-653-6672

[sales@conigliaroblock.com](mailto:sales@conigliaroblock.com) [www.conigliaroblock.com](http://www.conigliaroblock.com)





# Designer Face Finishes

Rough Stone – our most popular



Cut Stone



Quarry Cut



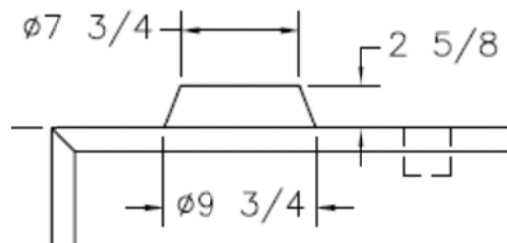
The Male and Female knob dimensions are the same on all blocks, including all blocks within the Standard and Jumbo lines.

Male:

Top of Knob Diameter =  $7 \frac{3}{4}$ "

Base of Knob Diameter =  $9 \frac{3}{4}$ "

Height of Knob =  $2 \frac{5}{8}$ "



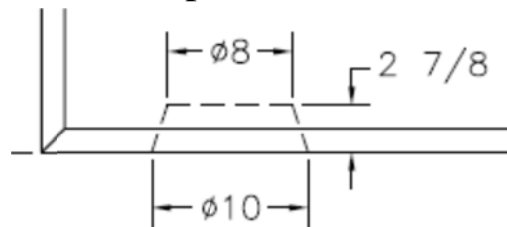
male typ.

Female :

Top Diameter = 8"

Base Diameter = 10"

Depth =  $2 \frac{7}{8}$ "



female typ.



701 Waverly Street, Framingham, MA 01702

(888) 266- 4425, fax 508-653-6672

[sales@conigliaroblock.com](mailto:sales@conigliaroblock.com) [www.conigliaroblock.com](http://www.conigliaroblock.com)

# Standard and Jumbo Lines Block Weights

Applicable for 3000, 4000 and 5000 psi State Mix  
(147 lbs per cubic foot)

Block Name	Block Weight (lbs)
<b>STANDARD BLOCKS</b>	
2' x 2' x 4' Full Knob	2352
2' x 2' x 2' Half Knob	1176
1' x 2' x 4' Knob	1176
1' x 2' x 2' Half Knob	588
2' x 2' x 3' Jam Knob	1764
2' x 2' x 5' Jam Knob	2940
2' x 2' x 6' Full Knob	3528
<b>JUMBO BLOCKS</b>	
2' X 3' X 4' Full Knob	3528
2' X 3' X 2' Half Knob	1764

Please note – when ordering “flat top” blocks, i.e. any of the above blocks without the male knobs on top, the weight of each block is lower by about 11.2 lbs per eliminated knob. See each drawing to determine how many knobs would be eliminated per block.



701 Waverly Street, Framingham, MA 01702

(888) 266- 4425, fax 508-653-6672

[sales@conigliaroblock.com](mailto:sales@conigliaroblock.com) [www.conigliaroblock.com](http://www.conigliaroblock.com)

# TRESCA BROTHERS SAND & GRAVEL, INC.

READY-MIXED CONCRETE

October 26, 2021

Conigliaro Industry  
701 Waverly Ave  
Framingham, MA 01702

Attn: Greg  
Re: Mixes

Email: [greg@conigliaro.com](mailto:greg@conigliaro.com)

The following mix design will be used at the above captioned project:  
(When ordering concrete, always order by the following mix codes + add-ons. It is the only way to be certain you are getting the proper mix design. If you order by mix strength, and not the mix code, we are not responsible for matching the mix design.)

**3000 <sup>3</sup>/<sub>4</sub>**  
**Mix# 3022**

517 lb. Cement Type II  
1342 lb. Sand  
1300 lb. <sup>3</sup>/<sub>4</sub> Stone  
500 lb. <sup>3</sup>/<sub>8</sub> Stone  
30.0 gal. Water  
9.0 oz. AE 90  
25.9 oz. Glenium 7500

0.48 w/c Ratio  
Slump 3"- 4"  
Air Content 5% ± 1.5%

**4000 <sup>3</sup>/<sub>4</sub>**  
**Mix# 4004**

611 lb. Cement Type II  
1242 lb. Sand  
1300 lb. <sup>3</sup>/<sub>4</sub> Stone  
500 lb. <sup>3</sup>/<sub>8</sub> Stone  
31.0 gal. Water  
11.5 oz. AE 90  
30.6 oz. Glenium 7500

0.42 w/c Ratio  
Slump 3"- 4"  
Air Content 6% ± 1.5%

**5000 <sup>3</sup>/<sub>4</sub>**  
**Mix# 5001**

705 lb. Cement Type II  
1143 lb. Sand  
1300 lb. <sup>3</sup>/<sub>4</sub> Stone  
500 lb. <sup>3</sup>/<sub>8</sub> Stone  
32.0 gal. Water  
13.0 oz. AE 90  
35.8 oz. Glenium 750

0.38 w/c Ratio  
Slump 3"- 4"  
Air Content 6% ± 1.5%

If you have any questions or if I may be of any assistance, please do not hesitate to contact me.

Very truly,  
TRESCA BROTHERS SAND & GRAVEL, INC.



Michael J, Collins  
Engineer

66 MAIN STREET P.O. BOX 189 MILLIS, MA 02054 • 781-235-1101 • 508-376-2957  
FAX 508-376-4333