



## **DOVE TAIL MODIFICATIONS TO 24" X 36" X 48" JUMBO KNOB BLOCKS WITH BEVELED EDGES**

A Dove Tail Keyway may be added to any of our standard pre-cast jumbo blocks as needed to interlock two blocks at a right angle to form a corner, to interlock the ends of two blocks together or to interlock blocks to another fixed object such as a pier.

### Dove Tail – Both Ends

Custom Dove Tail Keyway on EACH end of block, perpendicular to ground, modification to any of our block products, normally used when block is to be attached to other structures such as a pier.

### Dove Tail – Left End

Custom Dove Tail Keyway on LEFT end of block, perpendicular to ground, modification to any of our block products, normally used when block is to be attached to other structures such as a pier.

### Dove Tail – Right End

Custom Dove Tail Keyway on RIGHT end of block, perpendicular to ground, modification to any of our block products, normally used when block is to be attached to other structures such as a pier.

### Dove Tail – Left Back

Custom Dove Tail Keyway on BACK of block closer to left end, perpendicular to ground, modification to any of our block products, normally used when block is to be attached to another block at a right angle.

### Dove Tail – Right Back

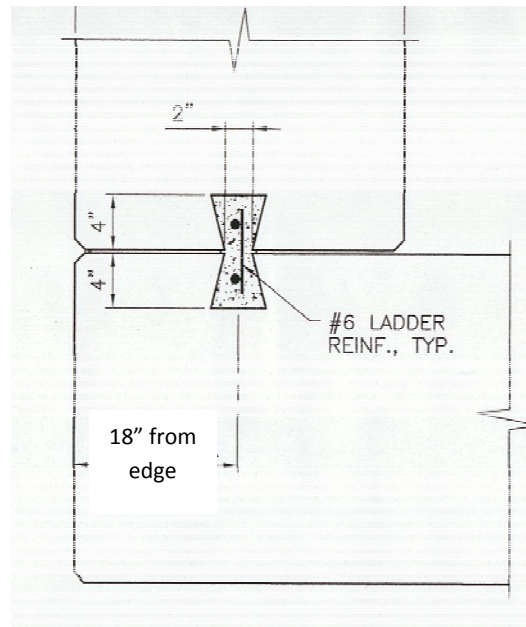
Custom Dove Tail Keyway on BACK of block closer to right end, perpendicular to ground, modification to any of our block products, normally used when block is to be attached to another block at a right angle.

All Dove Tail Keyways are perpendicular to the ground and are 4" deep, 4" wide at the deepest point and 2" wide at the block edge as shown.

TWO JUMBO BLOCKS AT RIGHT ANGLES TO ONE ANOTHER TO FORM A CORNER:

Dove Tail Keyway shown centered on the end of one block and the back left of another block when two blocks are butted up against one another at a right angle to form a corner. The keyways would normally be filled with a rebar ladder and epoxy (as shown, but provided by others) by the contractor in the field in accordance with the engineer's specifications.

TOP VIEW  
(n.t.s.)



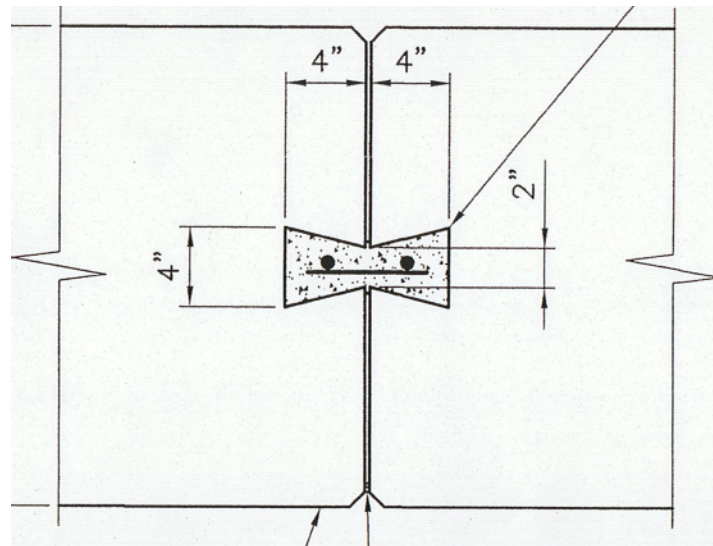
701 Waverly Street, Framingham, MA 01702  
(888) 266- 4425, fax 508-653-6672

[sales@conigliaroblock.com](mailto:sales@conigliaroblock.com) [www.conigliaroblock.com](http://www.conigliaroblock.com)

TWO JUMBO BLOCKS BUTTED AGAINST ONE ANOTHER:

Dove Tail Keyway shown centered on the end of two blocks butted up against one another. The keyways would normally be filled with a rebar ladder and epoxy (as shown, but provided by others) by the contractor in the field in accordance with the engineer's specifications.

TOP VIEW  
(n.t.s.)



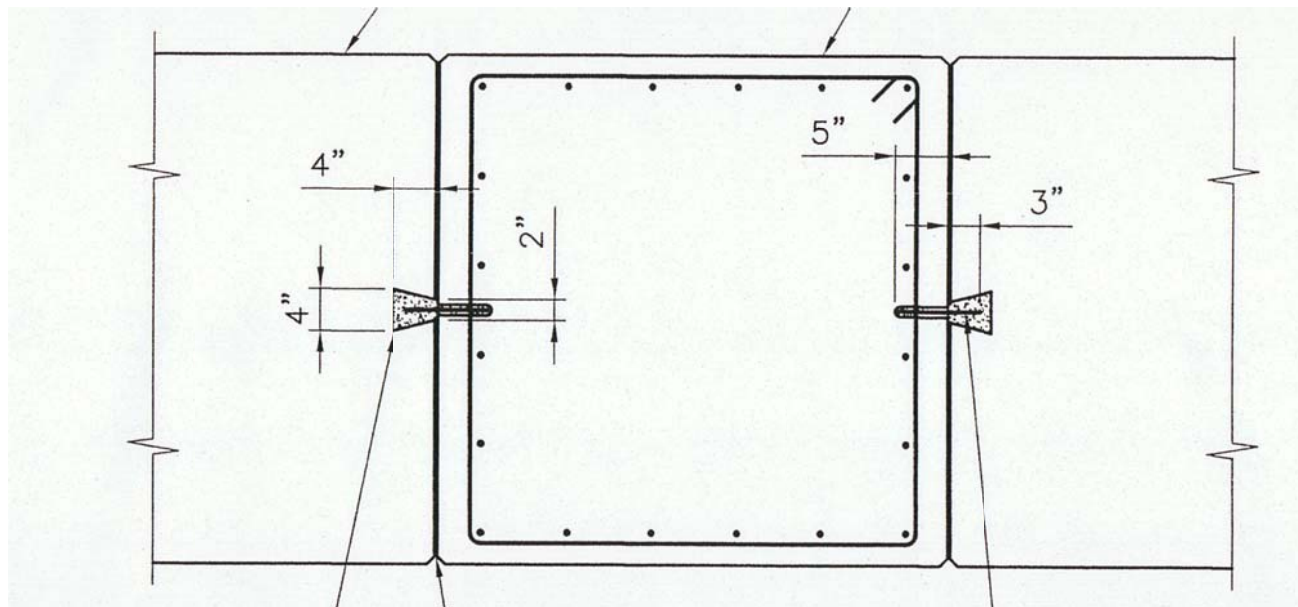
701 Waverly Street, Framingham, MA 01702  
(888) 266- 4425, fax 508-653-6672

[sales@conigliaroblock.com](mailto:sales@conigliaroblock.com) [www.conigliaroblock.com](http://www.conigliaroblock.com)

TWO JUMBO BLOCKS BUTTED AGAINST A FIXED PIER:

Dove Tail Keyway shown centered on the end of two blocks butted up against either side of a fixed pier. The keyways would normally be filled with a rebar ladder and epoxy (as shown, but provided by others) by the contractor in the field in accordance with the engineer's specifications.

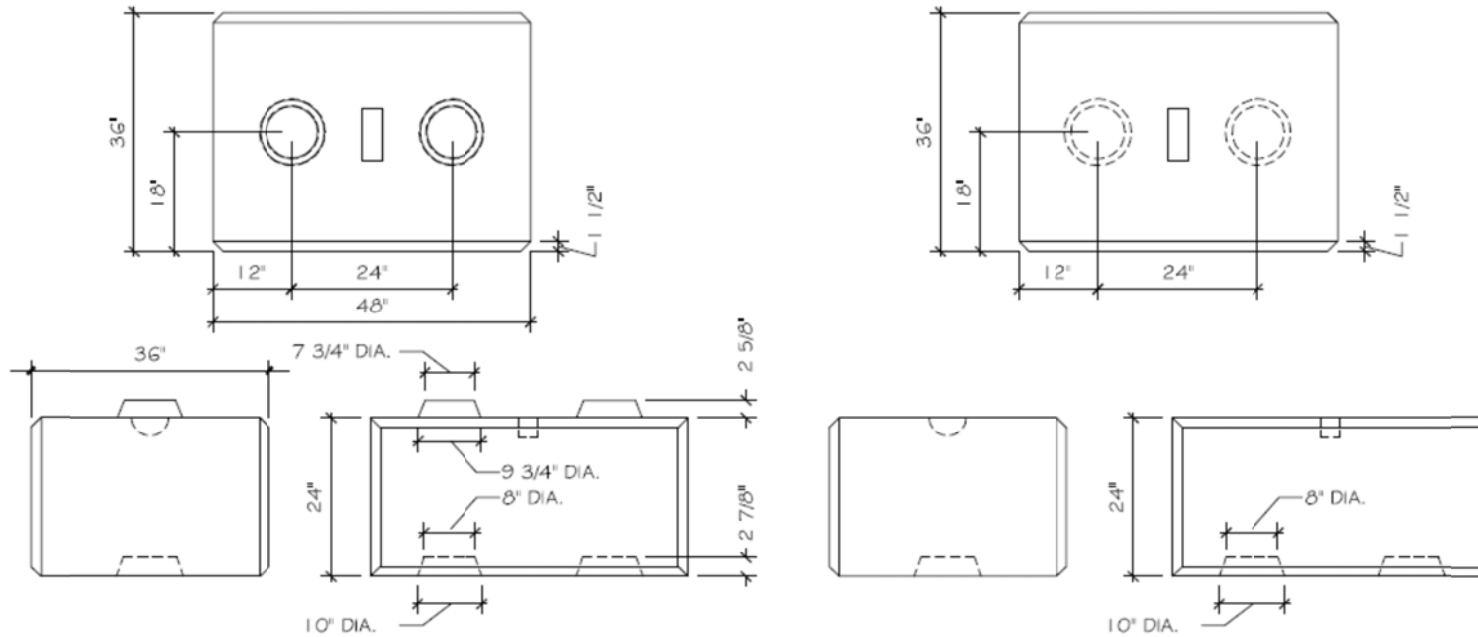
TOP VIEW  
(n.t.s.)



701 Waverly Street, Framingham, MA 01702  
(888) 266- 4425, fax 508-653-6672

[sales@conigliaroblock.com](mailto:sales@conigliaroblock.com) [www.conigliaroblock.com](http://www.conigliaroblock.com)

The above Dove Tail modifications would be made to the Standard Jumbo Block shown below:



JUMBO BLOCK

JUMBO FLAT TOP BLOCK

## JUMBO BLOCK WITH BEVELED EDGES

SCALE: 1/2"=1'-0"



701 Waverly Street, Framingham, MA 01702

(888) 266- 4425, fax 508-653-6672

[sales@conigliaroblock.com](mailto:sales@conigliaroblock.com) [www.conigliaroblock.com](http://www.conigliaroblock.com)