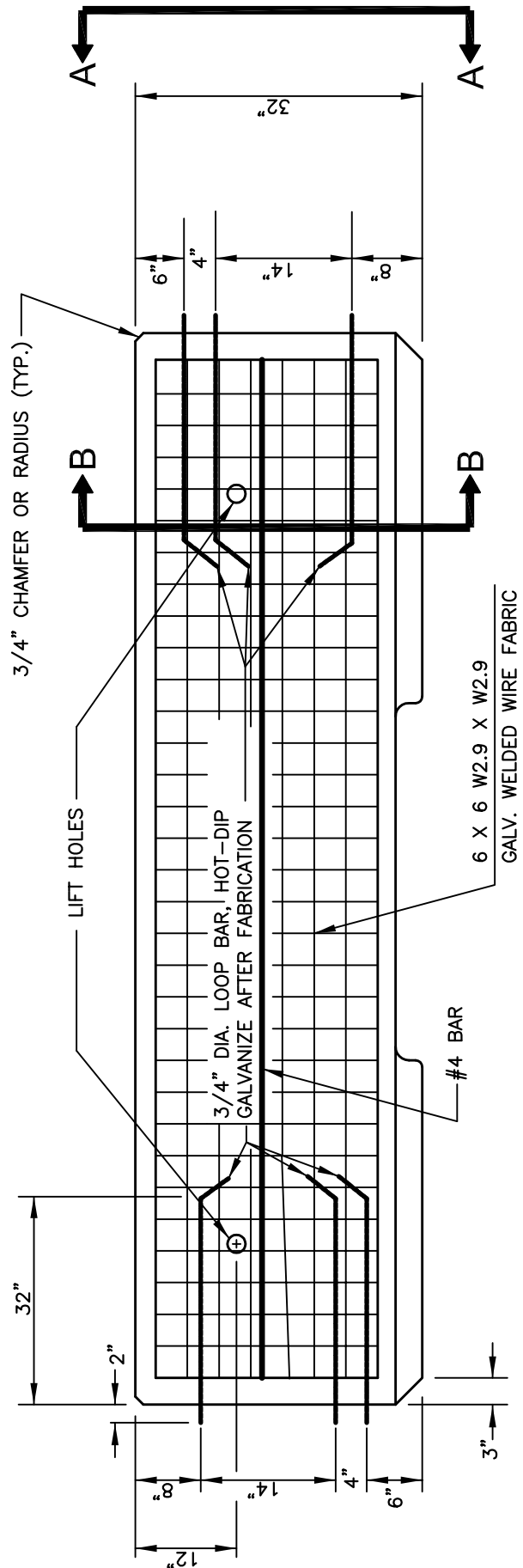


PLAN



ELEVATION

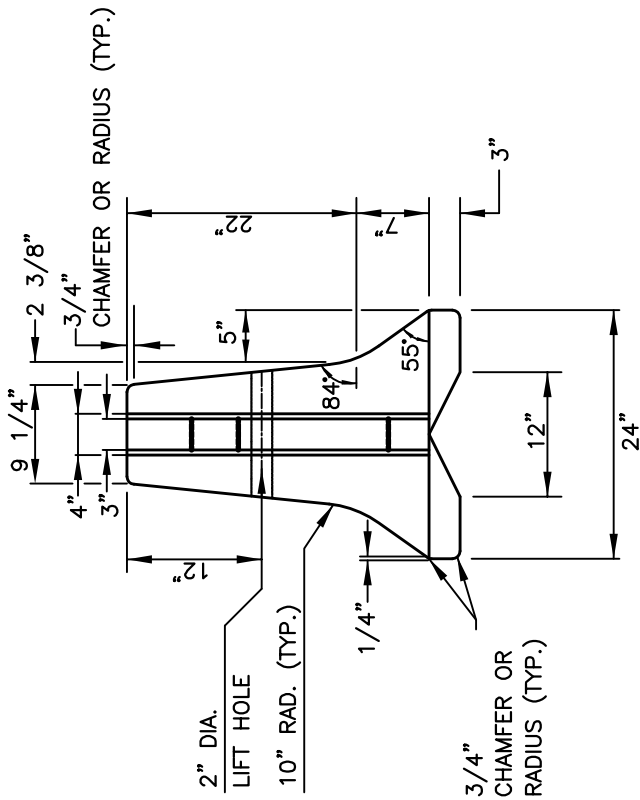


CONSTRUCTION STANDARDS

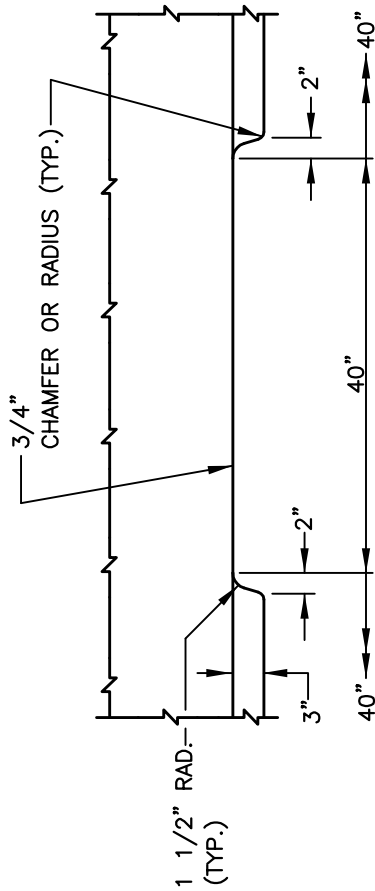
**TEMPORARY CONCRETE BARRIER
MASH TL-2**

DATE OF ISSUE
OCTOBER 2017

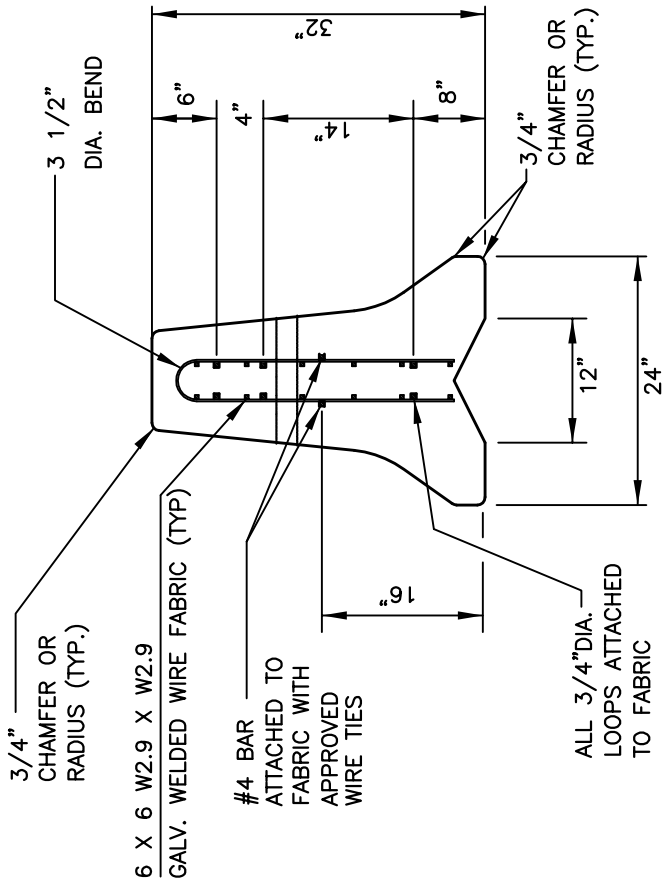
DRAWING NUMBER
E 403.1.0



END VIEW A-A



ELEVATION DETAIL OF DRAINAGE SLOT



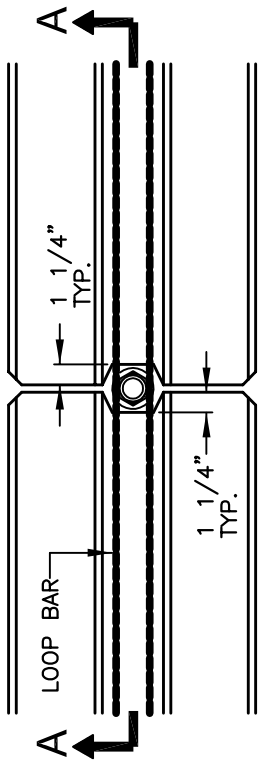
SECTION B-B

TEST RESULTS
MASH 2-11 ON CONCRETE

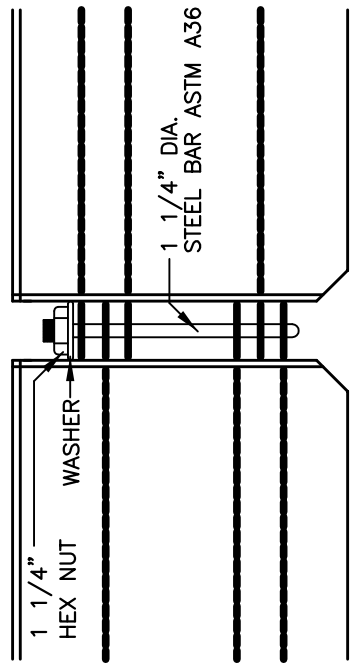
1. INSTALLATION LENGTH: 20 SEGMENTS
2. DYNAMIC DEFLECTION AT BASE: 29.9"
3. PERMANENT DEFLECTION AT BASE: 29.0"
4. WORKING WIDTH: 53.0"

GENERAL NOTES

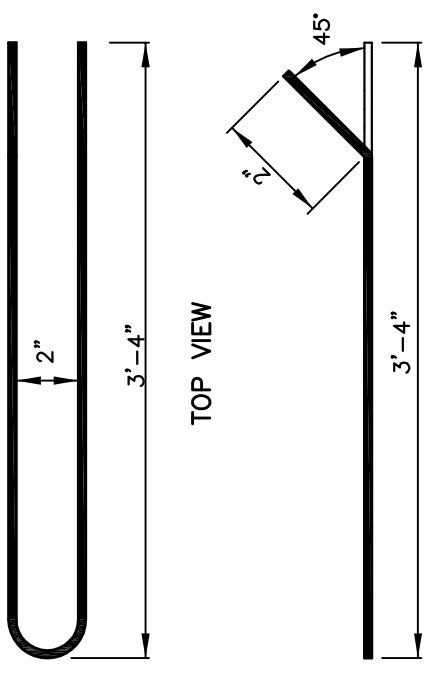
1. ALL WELDED WIRE FABRIC, BARS, HOOP BARS AND PIN ASSEMBLIES ARE TO BE HOT-DIP GALVANIZED AFTER FABRICATION.
2. HOT-DIP GALVANIZED TREATMENTS ARE TO CONFORM TO MASSDOT STANDARD SPECIFICATIONS M7.10.0 AND AASHTO M111.
3. CEMENT CONCRETE IS TO CONFORM TO MASSDOT STANDARD SPECIFICATIONS M4.02.00. CEMENT CONCRETE IS TO BE 5000 PSI (SEE MASSDOT SPECIFICATIONS FOR DESIGN REQUIREMENTS).



PLAN OF CONNECTION



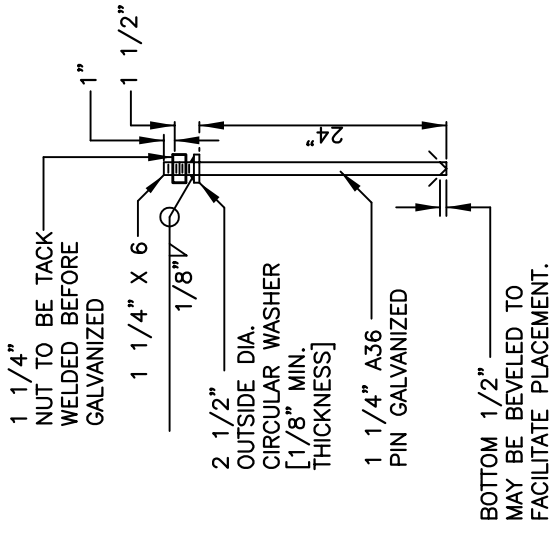
SECTION A-A



TOP VIEW

SIDE VIEW
LOOP BAR
3/4" DIA. A36

REINFORCEMENT DETAIL



CONNECTOR PIN
ASSEMBLY