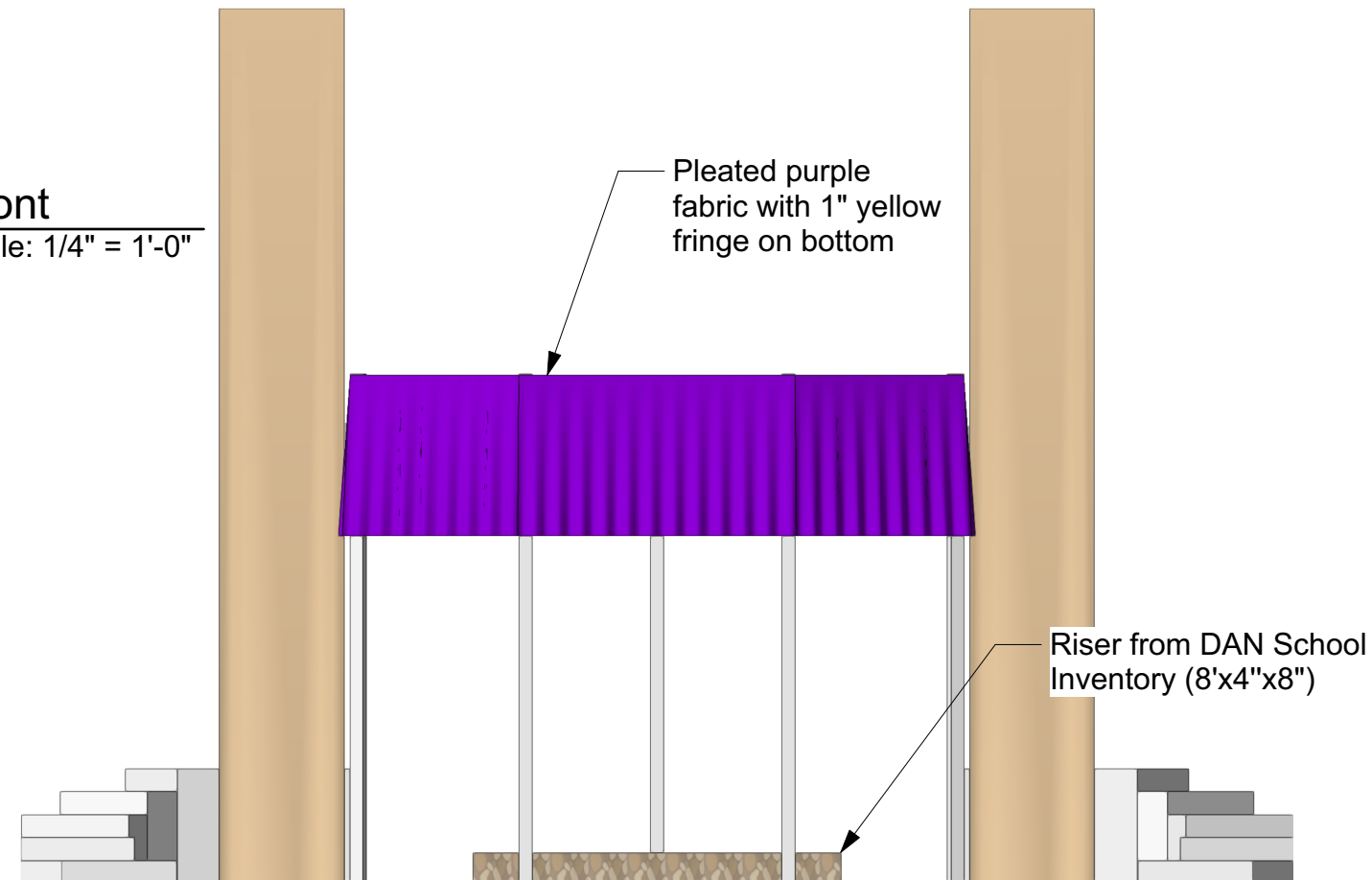
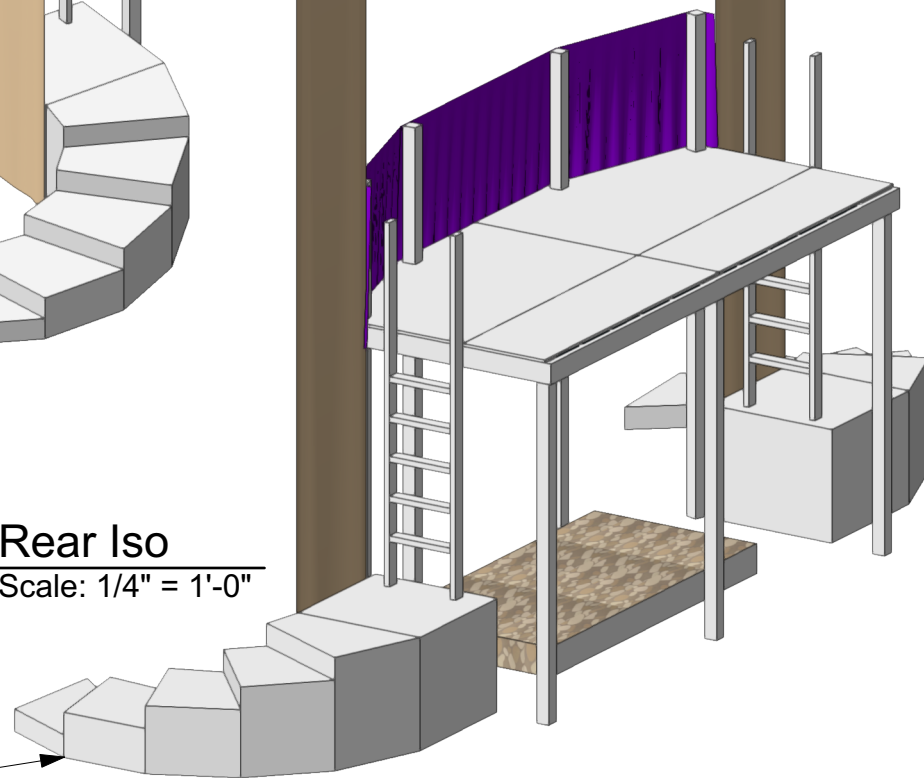


Towers (painted canvas drop cloth) tied to grid

2 Front  
Scale: 1/4" = 1'-0"



3 Rear Iso  
Scale: 1/4" = 1'-0"

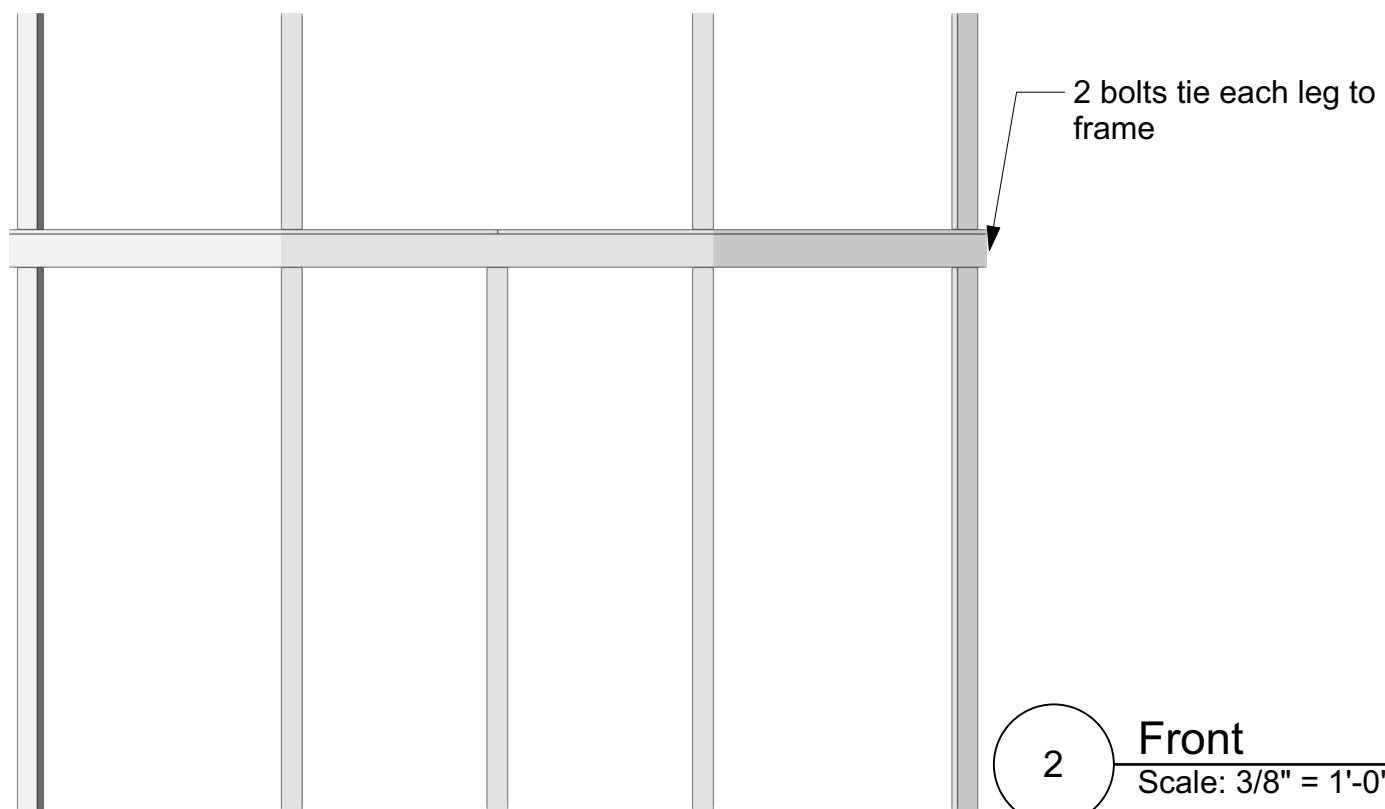
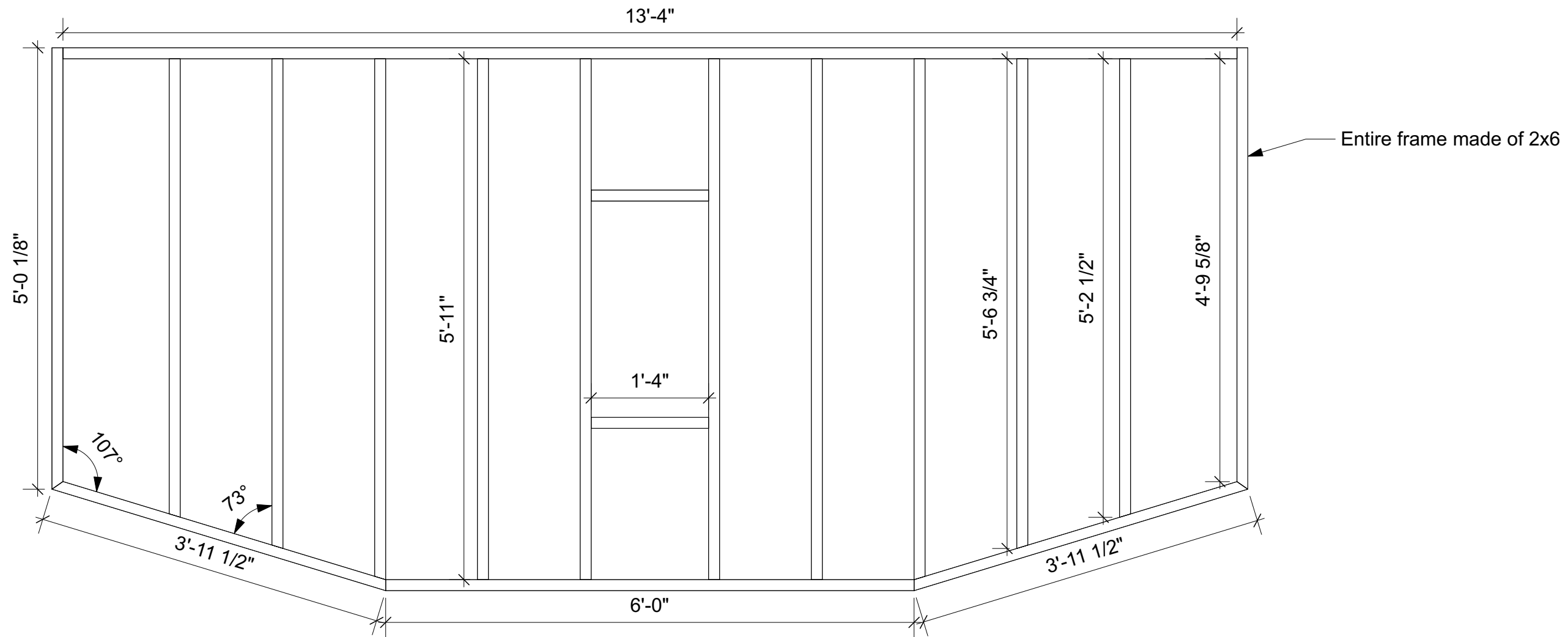


Stairs as is from Drowsy Chaperone Major (F19)



QMT Presents: Disney's Beauty and the Beast

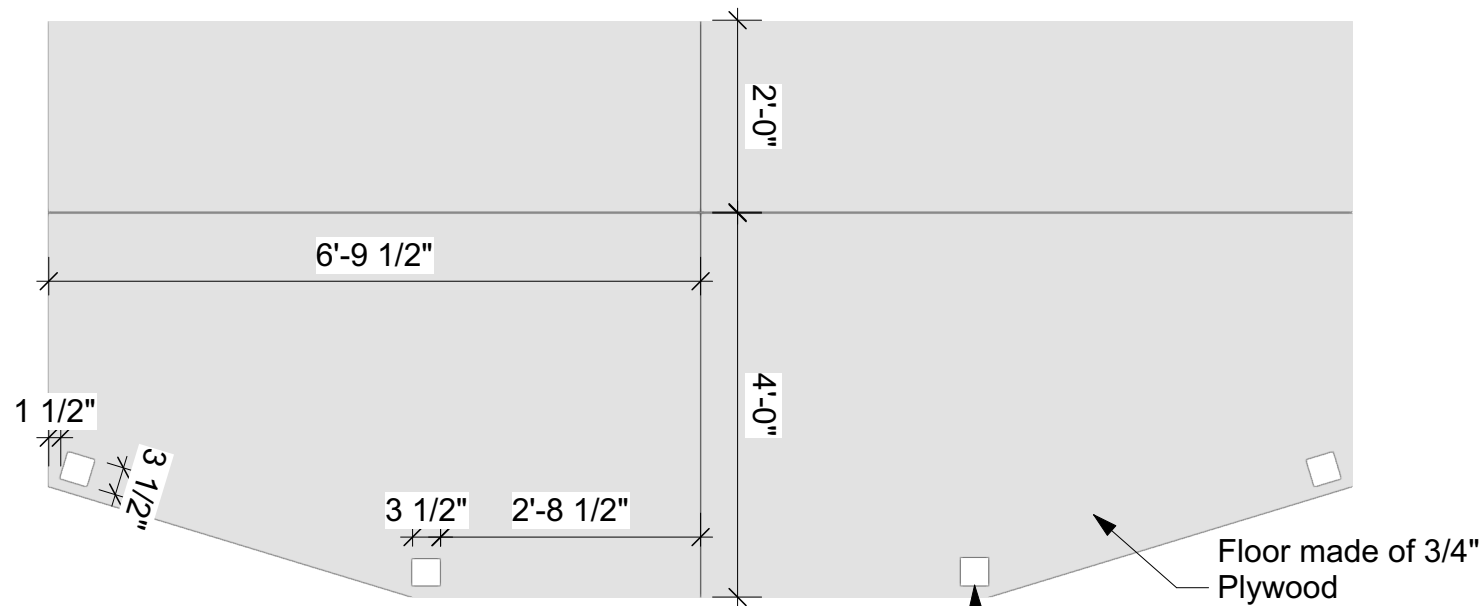
|  |                   |
|--|-------------------|
| Set Soft Goods                           | Date :            |
| Rotunda Theatre                          | Scale : 1/4"=1'0" |
| Director : Eric Rodomar                  | 1<br>OF<br>4      |
| Drawn by : Duncan Gould & Casey McDowell |                   |
| Designer : Tiana Lawless                 |                   |
| Head of Carpentry : Casey McDowell       |                   |



QMT Presents: Disney's Beauty and the Beast

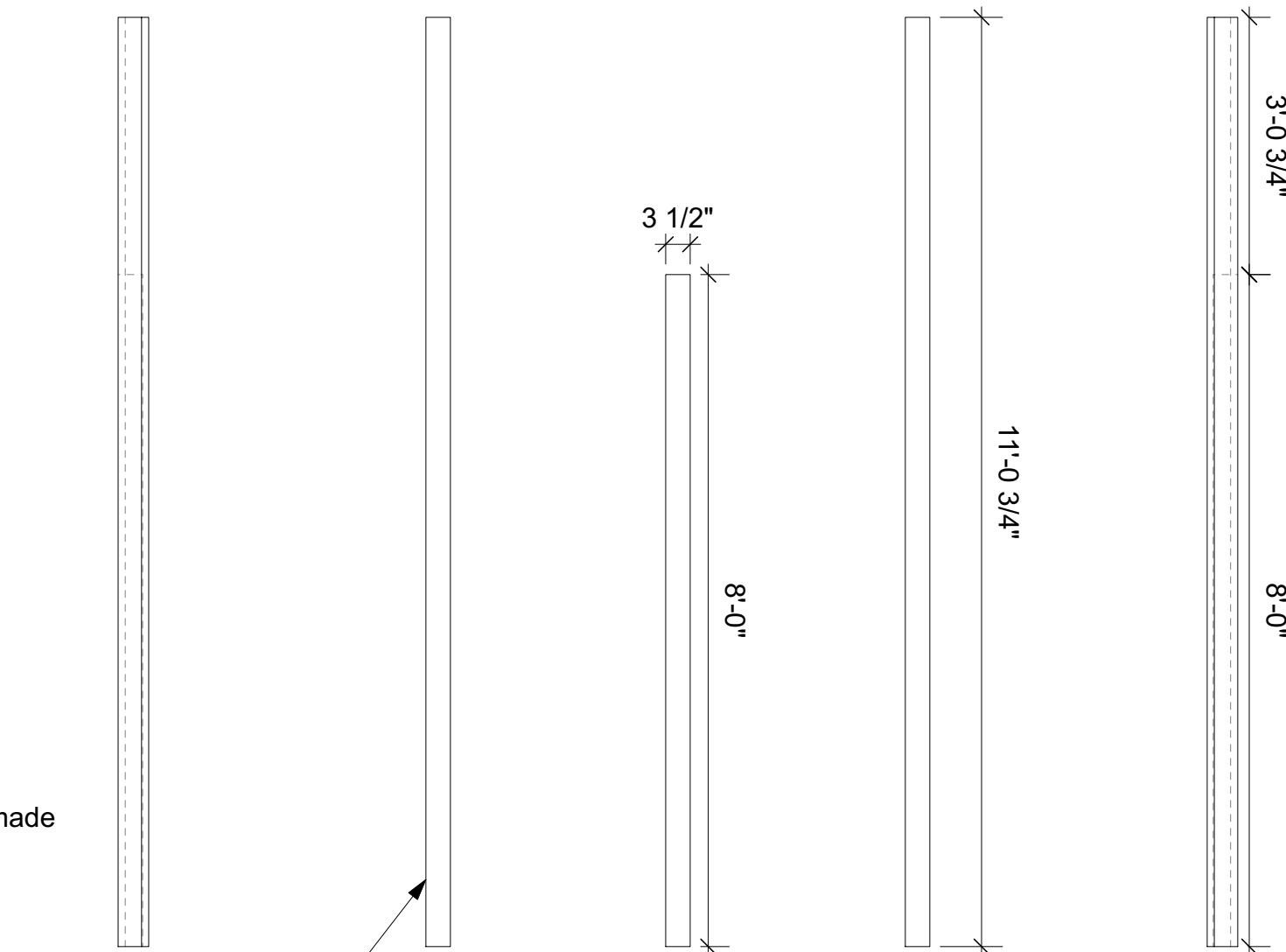
|  |                   |
|--|-------------------|
| Balcony Frame                            | Date :            |
| Rotunda Theatre                          | Scale : 3/4"=1'0" |
| Director : Eric Rodomar                  | 2<br>OF<br>4      |
| Drawn by : Duncan Gould & Casey McDowell |                   |
| Designer : Tiana Lawless                 |                   |
| Head of Carpentry : Casey McDowell       |                   |





1 **Balcony Floor**  
Scale: 1/2" = 1'-0"

Floor made of 3/4" Plywood  
All cutouts for legs are minimum and can comfortably be an extra 1/2" wide on each side if needed



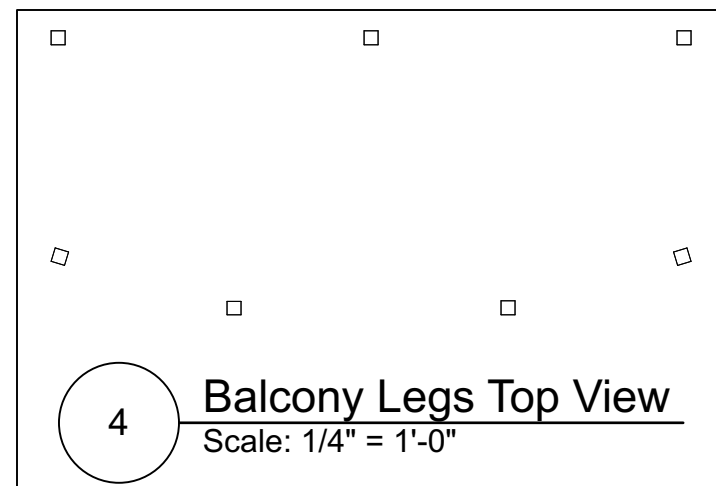
2 **Balcony Legs (Right Iso)**  
Scale: 1/2" = 1'-0"

All legs made of 4x4



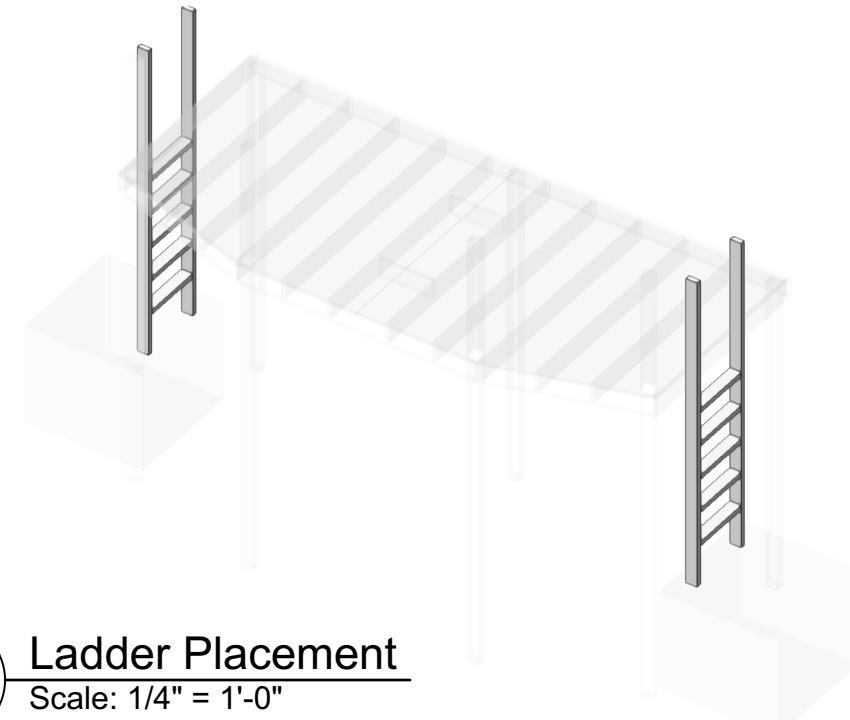
Railing itself to be made with spare wood

Small kickplate around front edge of balcony

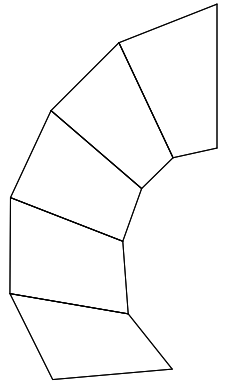


4 **Balcony Legs Top View**  
Scale: 1/4" = 1'-0"

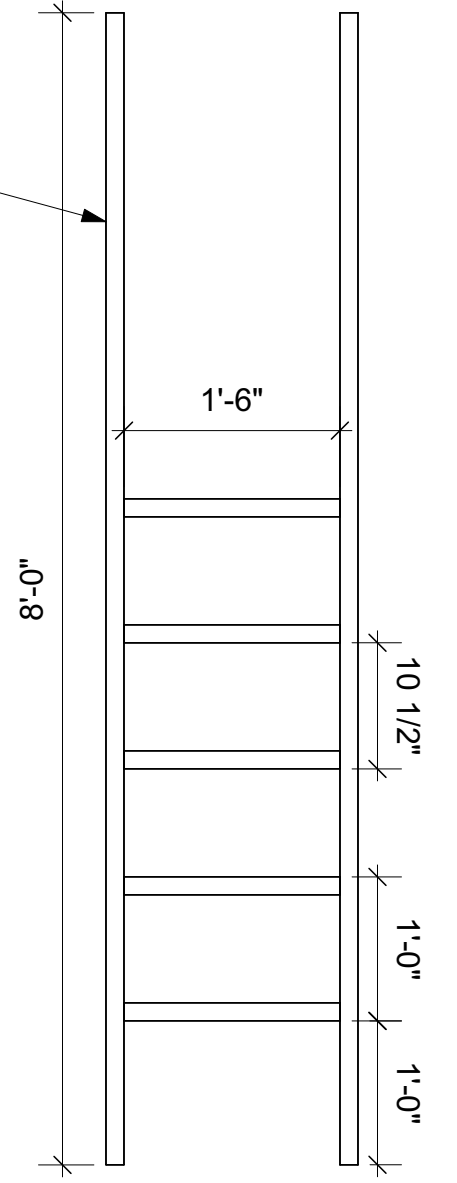
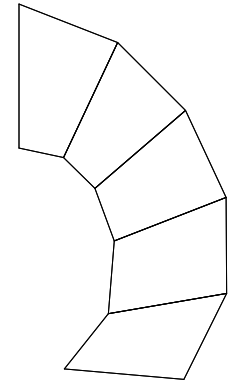
|   |                            |
|---|----------------------------|
| QMT Presents: Disney's Beauty and the Beast |                            |
| Balcony Floor & Supports                    | Date :                     |
| Rotunda Theatre                             | Scale : 3/4"=1'0"          |
| Director : Eric Rodomar                     | <b>3</b><br>OF<br><b>4</b> |
| Drawn by : Duncan Gould & Casey McDowell    |                            |
| Designer : Tiana Lawless                    |                            |
| Head of Carpentry : Casey McDowell          |                            |



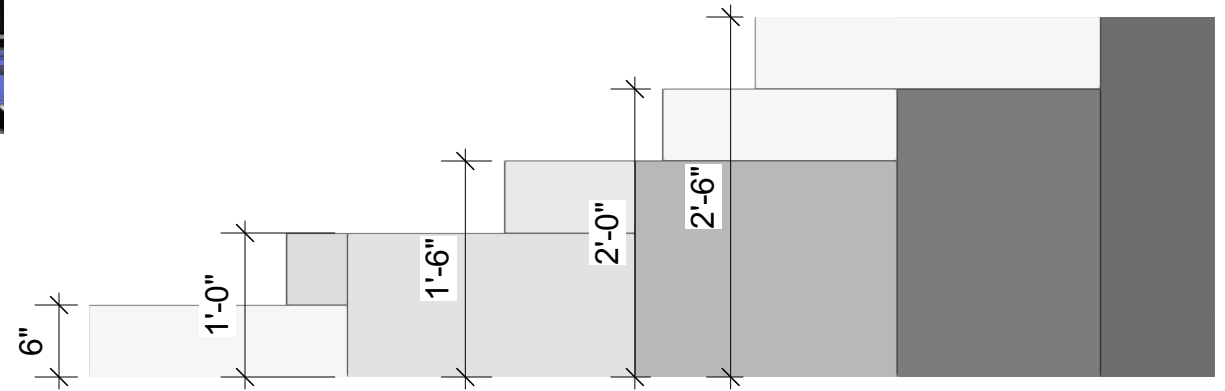
4 **Ladder Placement**  
Scale: 1/4" = 1'-0"



2 **Stairs**  
Scale: 1/4" = 1'-0"



1 **Ladders**  
Scale: 3/4" = 1'-0"



3 **Stairs Side**  
Scale: 3/4" = 1'-0"

|   |                  |
|---|------------------|
| QMT Presents: Disney's Beauty and the Beast |                  |
| Stairs and Ladders                          | Date :           |
| Rotunda Theatre                             | Scale : AS NOTED |
| Director : Eric Rodomar                     | 4<br>OF<br>4     |
| Drawn by : Duncan Gould & Casey McDowell    |                  |
| Designer : Tiana Lawless                    |                  |
| Head of Carpentry : Casey McDowell          |                  |