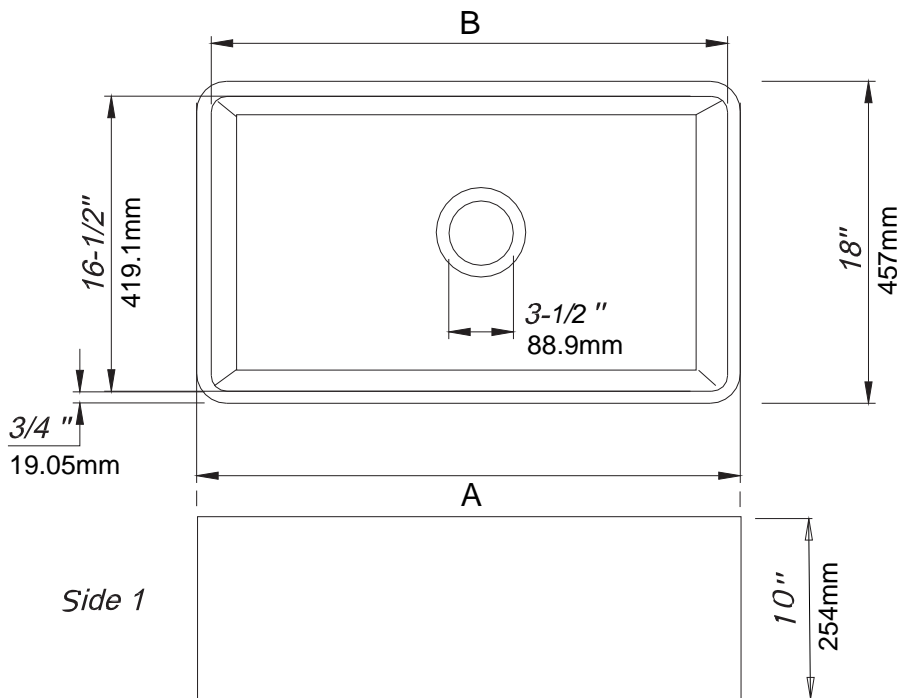
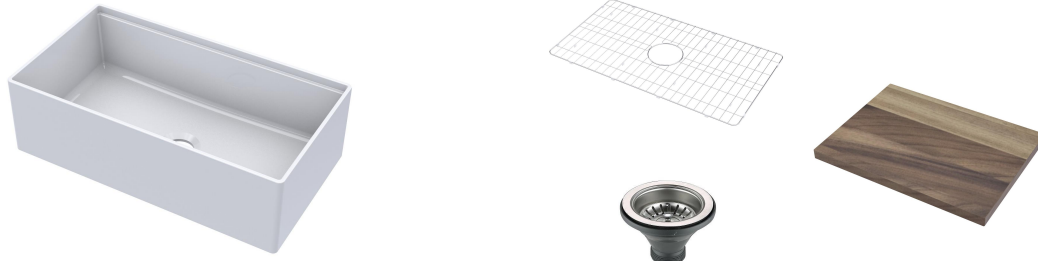


AMERICAN FIRECLAY
Fine Fireclay Farmhouse Collection

WORK CENTRES

HAMPTON SERIES

SPECIFICATIONS



PRODUCT DETAILS

- Colour White
- Single Bowl
- Centre Drain
- 3.50" Drain Opening
- Crafted from proprietary blend of Fine Fireclay Chamotte

INSTALLATION

- Apron Front
- Undermount

COORDINATING PRODUCTS

- Drain: Polished 304 S/Steel
- Wire Grid(s): Polished Chrome
- Wooden Cutting Board

STANDARDS COMPLIANCE

- UPC/cUPC



SIZES AVAILABLE

MODELS	A	B	WEIGHT
AFC260WC	24"/609mm	22.5"/572mm	• 16 kg / 36 lbs Net Wt
AFC261WC	27"/686mm	25.5"/648mm	• 17 kg / 38 lbs Net Wt
AFC262WC	30"/762mm	28.5"/724mm	• 20 kg / 45 lbs Net Wt
AFC263WC	33"/838mm	31.5"/800mm	• 25 kg / 55 lbs Net Wt
AFC264WC	36"/914mm	34.5"/876mm	• 26 kg / 58 lbs Net Wt

OPTIONAL ACCESSORIES

- Walnut Cutting Board
- Beech Cutting Board
- Wire Grid CP Centre Drain
- Roll Up Drying Rack S/S
- 304 S/S Basket Straine

• Due to the nature of the product All dimensions/Weights are accurate +/- 2%

We strongly recommended to have the Sink on hand for measurements before manufacturing and cutting of cabinets and countertops. All responsibility remains with Purchaser. We assume NO responsibility whatsoever, Written or Implied for any costs due to incorrect measurements/manufacturing of materials and/or installation labour.