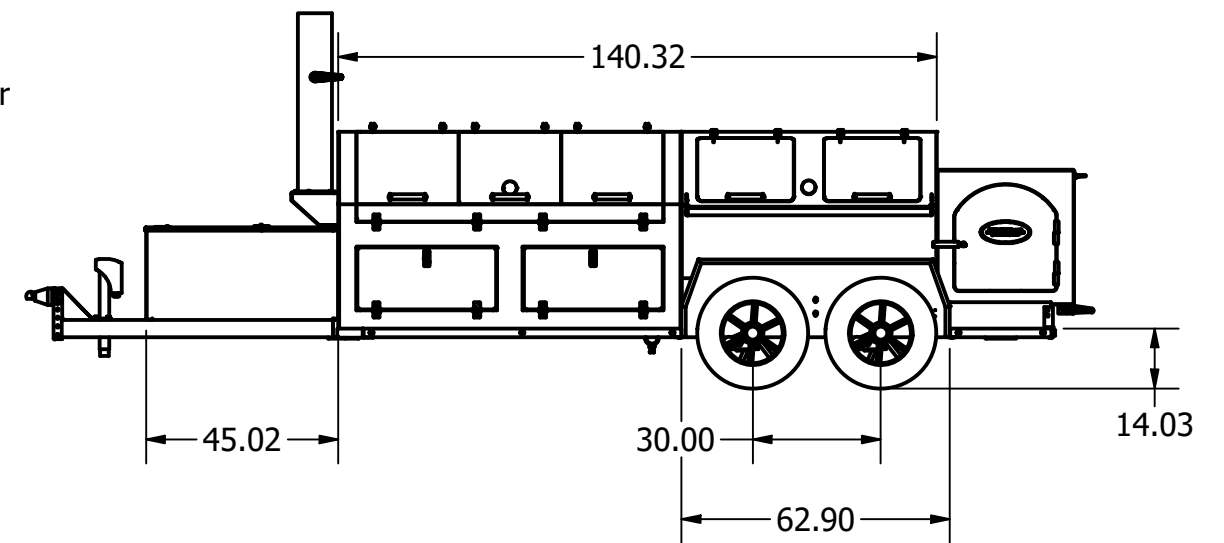
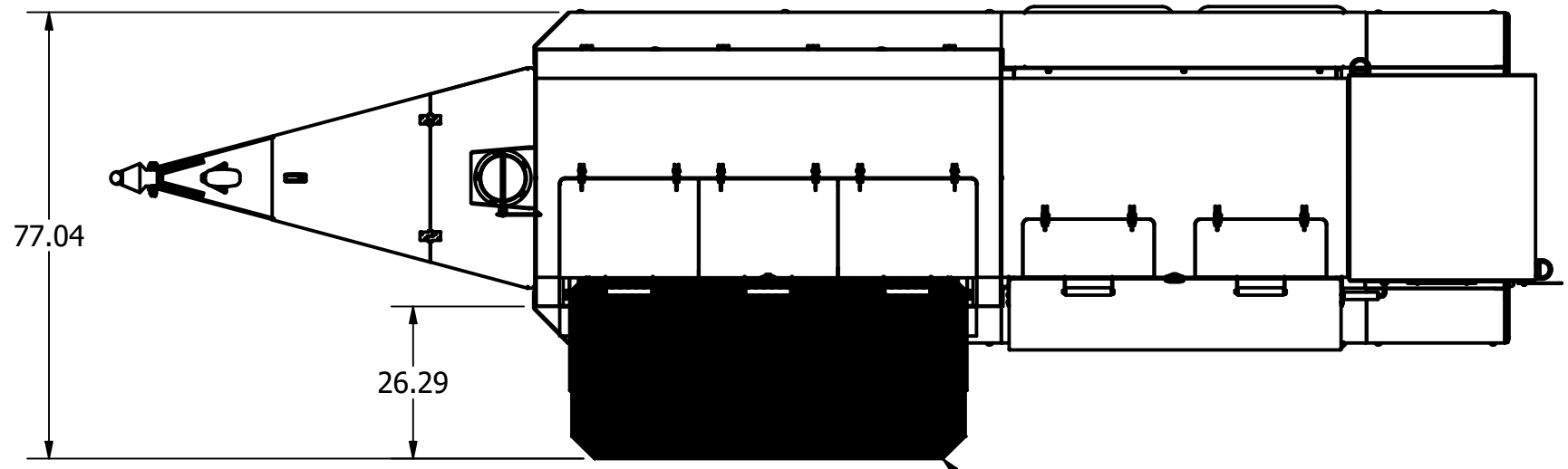


4139 LBS





**ROTATING RACK SHOWN EXTENDED
(67.00" X 32.25" COOKING SURFACE)**

