



GPHDR-15

开关电源 导轨型开关电源

SWITCH POWER SUPPLY

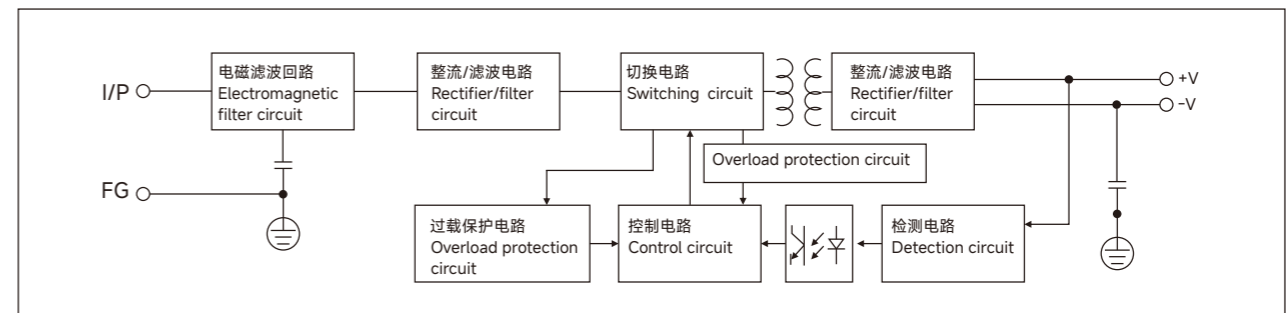
GPHDR-15 系列是一款 15W 单路输出封闭式电源，支持 100~240VAC 全范围交流输入，全系列提供 5V、12V、24V 输出规格。该系列电源效率最高可达 91.5%，同时采用环保阻燃外壳设计，提升了散热性能，可在 -20°C~+70°C 的宽温环境下无风扇运行。GPHDR-15 系列为各类工业应用场景提供了高性价比的电源解决方案。

The GPHDR-15 series is a 15W single group output closed type power supply that uses 100 to 240VAC full range AC input. The entire series provides 5V、12V、24V output.

In addition to the efficiency of up to 91.5%, the design of the environmentally friendly flame-retardant housing enhances the heat dissipation ability, allowing the MDR-100 to operate in the temperature range of -20°C to +70 °C without a fan.

The GPHDR-15 series provide a costeffective solution for various industrial applications.

● 原理图 Principle diagram



● 技术参数 Technical parameter

类型 Type		技术参数 Technical indicators		
输出 Output	直流电压: DC voltage	5V	12V	24V
	额定电流 Rated current	2.4A	1.25A	0.63A
	电流范围 Current range	0~2.4A	0~1.25A	0~0.63A
	额定功率 Rated power	12W	15W	15.2W
	纹波与噪声(最大值) Ripple & noise (max.)	80mV	120mV	150mV
	电压可调范围 Voltage adj. Range	4.5~5.5V	10.8~13.8V	21.6~29V
	电压精度 Voltage tolerance	±2%	±1%	±1%
	线性调整率 Line regulation	±1%	±1%	±1%
	负载调整率 Load regulation	±1%	±1%	±1%
输入 Input	电压范围 Voltage range	100-240VAC		
	频率范围 Frequency range	50~60Hz		
	效率 Efficiency (typ.)	80%	85%	85%
	交流输入电流 Ac current (typ.)	0.5A/115VAC 0.25A/230VAC		
保护特性 Protection characteristics	过载 Overload	115~145% 额定输出功率 Rated output power 当输出电压低于额定值的 50% 时，进入打嗝保护模式；故障消除后自动恢复正常工作。 当输出电压在额定值的 50%~100% 区间时，执行恒流限幅保护；故障消除后自动恢复正常工作。 Hiccup mode when output voltage <50%, recovers automatically after fault condition is removed. Constant current limiting within 50%~100% rated output voltage, recovers automatically after fault condition is removed.		
	过电压 Over voltage	5.75~6.75V	14.2~16.2V	30~36V
	短路保护 Short circuit protection	+VO 降至欠压点以关闭输出 +VO drops to undervoltage point to close output		



GPHDR-30

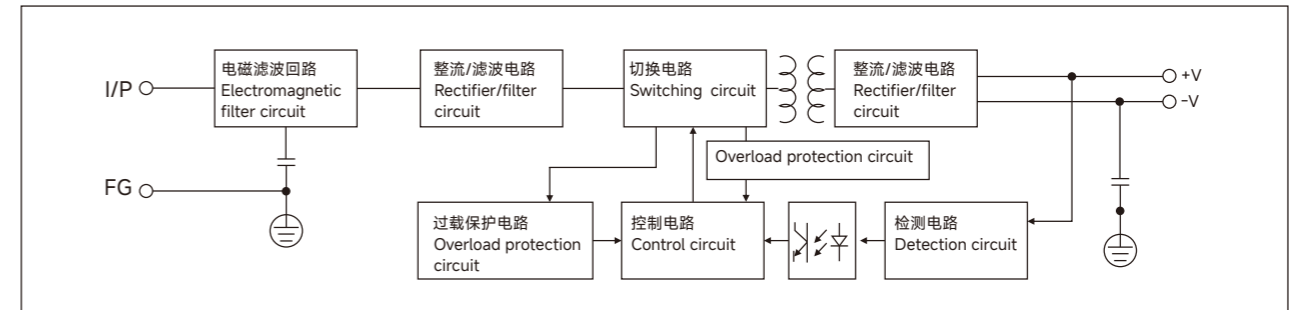
开关电源 导轨型开关电源

SWITCH POWER SUPPLY

GPHDR-30 系列是一款 30W 单路输出封闭式电源，支持 100~240VAC 全范围交流输入，全系列提供 5V、12V、24V 输出规格。该系列电源效率最高可达 91.5%，同时采用环保阻燃外壳设计，提升了散热性能，可在 -20°C~+70°C 的宽温环境下无风扇运行。GPHDR-30 系列为各类工业应用场景提供了高性价比的电源解决方案。

The GPHDR-30 series is a 30W single group output closed type power supply that uses 100 to 240VAC full range AC input. The entire series provides 5V、12V、24V output. In addition to the efficiency of up to 91.5%, the design of the environmentally friendly flame-retardant housing enhances the heat dissipation ability, allowing the MDR-100 to operate in the temperature range of -20°C to +70 °C without a fan. The GPHDR-30 series provide a costeffective solution for various industrial applications.

● 原理图 Principle diagram



● 技术参数 Technical parameter

类型 Type		技术参数 Technical indicators		
输出 Output	直流电压: DC voltage	5V	12V	24V
	额定电流 Rated current	3A	2A	1.5A
	电流范围 Current range	0~3A	0~2A	0~1.5A
	额定功率 Rated power	15W	24W	36W
	纹波与噪声(最大值) Ripple & noise (max.)	80mV	120mV	150mV
	电压可调范围 Voltage adj. Range	4.5~5.5V	10.8~13.8V	21.6~29V
	电压精度 Voltage tolerance	±2%	±1%	±1%
	线性调整率 Line regulation	±1%	±1%	±1%
	负载调整率 Load regulation	±1%	±1%	±1%
输入 Input	电压范围 Voltage range	100~240VAC		
	频率范围 Frequency range	50~60Hz		
	效率 Efficiency (typ.)	82%	87%	88%
	交流输入电流 Ac current (typ.)	0.88A/115VAC 0.48A/230VAC		
保护特性 Protection characteristics	过载 Overload	105~160% 额定输出功率 Rated output power 当输出电压低于额定值的 50% 时，进入打嗝保护模式；故障消除后自动恢复正常工作。 当输出电压在额定值的 50%~100% 区间时，执行恒流限幅保护；故障消除后自动恢复正常工作。 Hiccup mode when output voltage <50%, recovers automatically after fault condition is removed. Constant current limiting within 50%~100% rated output voltage, recovers automatically after fault condition is removed.		
	过电压 Over voltage	5.75~6.75V	14.2~16.2V	30~36V
	短路保护 Short circuit protection	+VO 降至欠压点以关闭输出 +VO drops to undervoltage point to close output		

全国统一销售热线: 0577-62926966



GPHDR-60

开关电源 导轨型开关电源

SWITCH POWER SUPPLY

GPHDR-60 系列是一款 60W 单路输出封闭式电源，支持 100~240VAC 全范围交流输入，全系列提供 5V、12V、24V、36V、48V 输出规格。

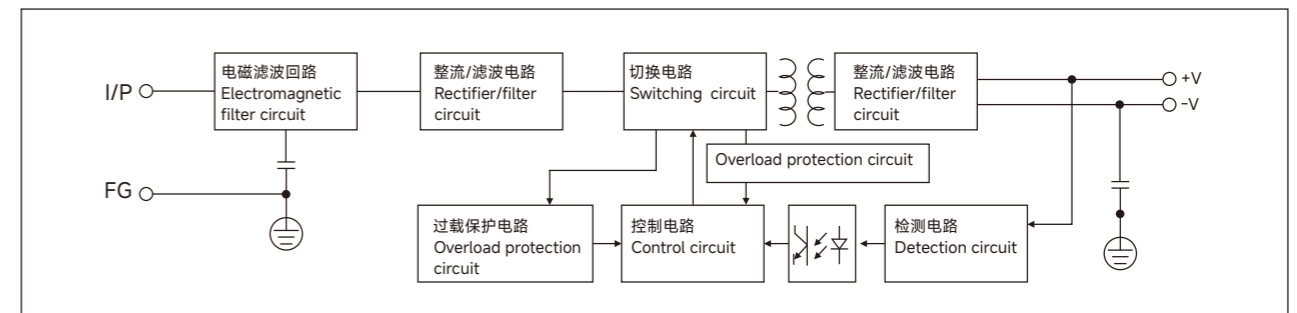
该系列电源效率最高可达 91.5%，同时采用环保阻燃外壳设计，提升了散热性能，可在 -20°C~+70°C 的宽温环境下无风扇运行。GPHDR-60 系列为各类工业应用场景提供了高性价比的电源解决方案。

The GPHDR-60 series is a 60W single group output closed type power supply that uses 100 to 240VAC full range AC input. The entire series provides 5V、12V、24V、36V、48V output.

In addition to the efficiency of up to 91.5%, the design of the environmentally friendly flame-retardant housing enhances the heat dissipation ability, allowing the MDR-100 to operate in the temperature range of -20°C to +70 °C without a fan.

The GPHDR-60 series provide a cost-effective solution for various industrial applications.

● 原理图 Principle diagram



● 技术参数 Technical parameter

类型 Type		技术参数 Technical indicators				
输出 Output	直流电压: DC voltage	5V	12V	24V	36V	48V
	额定电流 Rated current	6.5A	4.5A	2.5A	1.67A	1.25A
	电流范围 Current range	0~6.5A	0~4.5A	0~2.5A	0~1.67A	0~1.25A
	额定功率 Rated power	32.5W	54W	60W	60W	60W
	纹波与噪声(最大值) Ripple & noise (max.)	80mV	120mV	150mV	150mV	240mV
	电压可调范围 Voltage adj. Range	4.5~5.5V	10.8~13.8V	21.6~29V	32.6~40.2V	43.2~55.2V
	电压精度 Voltage tolerance	±2%	±1%	±1%	±1%	±1%
	线性调整率 Line regulation	±1%	±1%	±1%	±1%	±1%
	负载调整率 Load regulation	±1%	±1%	±1%	±1%	±1%
	输入 Input	电压范围 Voltage range	100-240VAC			
频率范围 Frequency range		50-60Hz				
效率 Efficiency (typ.)		85%	88%	89%	89%	91%
交流输入电流 Ac current (typ.)		1.2A/115VAC 0.8A/230VAC				
保护特性 Protection characteristics	过载 Overload	105~160% 额定输出功率 Rated output power 当输出电压低于额定值的 50% 时，进入打嗝保护模式；故障消除后自动恢复正常工作。 当输出电压在额定值的 50%~100% 区间时，执行恒流限幅保护；故障消除后自动恢复正常工作。 Hiccup mode when output voltage <50%, recovers automatically after fault condition is removed. Constant current limiting within 50%~100% rated output voltage, recovers automatically after fault condition is removed.				
	过电压 Over voltage	5.75~6.75V	14.2~16.2V	30~36V	30~36V	56.5~64.8V
	短路保护 Short circuit protection	+VO 降至欠压点以关闭输出 +VO drops to undervoltage point to close output				



GPHDR-100

开关电源 导轨型开关电源

SWITCH POWER SUPPLY

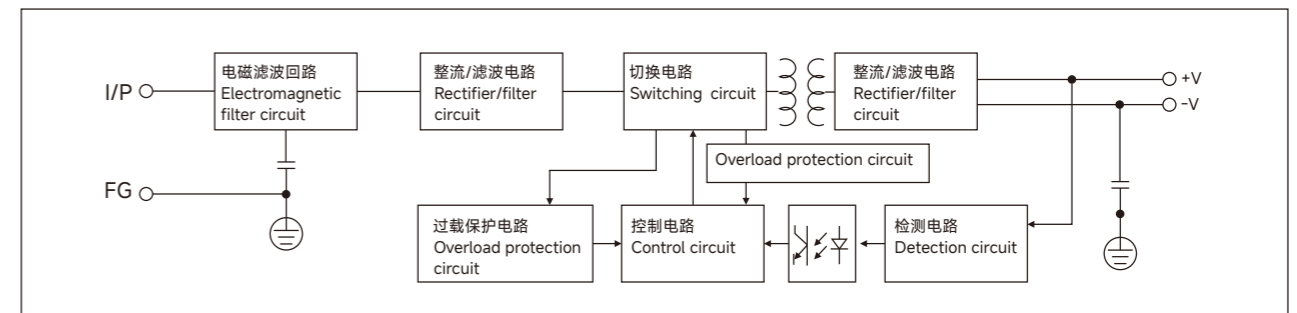
GPHDR-100 系列是一款 30W 单路输出封闭式电源，支持 100~240VAC 全范围交流输入，全系列提供 12V、24V、36V、48V 输出规格。该系列电源效率最高可达 91.5%，同时采用环保阻燃外壳设计，提升了散热性能，可在 -20°C~+70°C 的宽温环境下无风扇运行。GPHDR-100 系列为各类工业应用场景提供了高性价比的电源解决方案。

The GPHDR-100 series is a 30W single group output closed type power supply that uses 100 to 240VAC full range AC input. The entire series provides 12V、24V、36V、48V output.

In addition to the efficiency of up to 91.5%, the design of the environmentally friendly flame-retardant housing enhances the heat dissipation ability, allowing the MDR-100 to operate in the temperature range of -20°C to +70°C without a fan.

The GPHDR-100 series provide a cost-effective solution for various industrial applications.

原理图 Principle diagram



技术参数 Technical parameter

类型 Type		技术参数 Technical indicators			
输出 Output	直流电压: DC voltage	5V	24V	36V	48V
	额定电流 Rated current	7.1A	3.83A	2.8A	2.1A
	电流范围 Current range	0~7.1A	0~3.83A	0~2.8A	0~2.1A
	额定功率 Rated power	85.2W	92W	100.8W	100.8W
	纹波与噪声(最大值) Ripple & noise (max.)	120mV	150mVp-p	150mVp-p	240mVp-p
	电压可调范围 Voltage adj. Range	10.8~13.8V	21.6~29V	32.8~40.2V	43.2~55.2V
	电压精度 Voltage tolerance	±1%	±1%	±1%	±1%
	线性调整率 Line regulation	±1%	±1%	±1%	±1%
	负载调整率 Load regulation	±1%	±1%	±1%	±1%
输入 Input	电压范围 Voltage range	100-240VAC			
	频率范围 Frequency range	50~60Hz			
	效率 Efficiency (typ.)	88%	89%	89%	90%
	交流输入电流 Ac current (typ.)	3A/115VAC 1.6A/230VAC			
保护特性 Protection characteristics	过载 Overload	GPHDR-100:102~110% ;GPHDR-100-XXN:105~150% 额定输出功率 Rated output power 当输出电压低于额定值的 50% 时，进入打嗝保护模式；故障消除后自动恢复正常工作。 当输出电压在额定值的 50%-100% 区间时，执行恒流限幅保护；故障消除后自动恢复正常工作。 Hiccup mode when output voltage <50%, recovers automatically after fault condition is removed. Constant current limiting within 50%~100% rated output voltage, recovers automatically after fault condition is removed.			
	过电压 Over voltage	14.2~16.2V	18.8~22.5V	42~48V	56.5~64.8V
	短路保护 Short circuit protection	+VO 降至欠压点以关闭输出 +VO drops to undervoltage point to close output			



GPHDR-150

开关电源 导轨型开关电源

SWITCH POWER SUPPLY

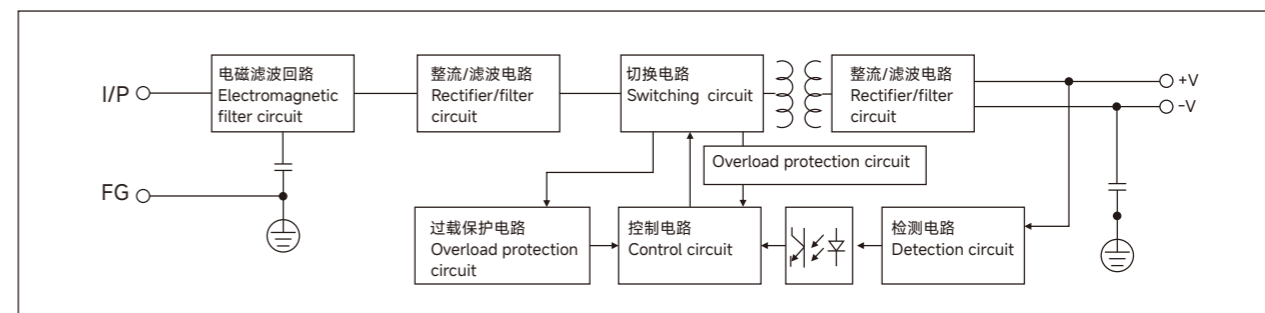
GPHDR-150 系列是一款 30W 单路输出封闭式电源，支持 100~240VAC 全范围交流输入，全系列提供 12V、24V、36V、48V 输出规格。该系列电源效率最高可达 91.5%，同时采用环保阻燃外壳设计，提升了散热性能，可在 -20°C~+70°C 的宽温环境下无风扇运行。GPHDR-150 系列为各类工业应用场景提供了高性价比的电源解决方案。

The GPHDR-150 series is a 30W single group output closed type power supply that uses 100 to 240VAC full range AC input. The entire series provides 12V、24V、36V、48V output.

In addition to the efficiency of up to 91.5%, the design of the environmentally friendly flame-retardant housing enhances the heat dissipation ability, allowing the MDR-100 to operate in the temperature range of -20°C to +70 °C without a fan.

The GPHDR-150 series provide a cost-effective solution for various industrial applications.

原理图 Principle diagram



技术参数 Technical parameter

类型 Type		技术参数 Technical indicators			
输出 Output	直流电压: DC voltage	12V	24V	36V	48V
	额定电流 Rated current	10.2A	5.31A	3.56A	2.72A
		11.3A	6.25A	4.21A	3.2A
	额定功率 Rated power	122.4W	127.4W	128.2W	130.6W
		135.6W	150W	151.6W	153.6W
	纹波与噪声(最大值) Ripple & noise (max.)	100mVP-P	150mVP-P	150mVP-P	200mVP-P
	电压可调范围 Voltage adj. Range	10.8-13.8V	21.6-29V	32.8-40.2V	43.2-55.2V
	电压精度 Voltage tolerance	±1%	±1%	±1%	±1%
线性调整率 Line regulation	±1%	±1%	±1%	±1%	
负载调整率 Load regulation	±1%	±1%	±1%	±1%	
输入 Input	电压范围 Voltage range	100-120VAC 200-240VAC			
	频率范围 Frequency range	50-60VAC			
	效率 Efficiency (typ.)	87%	89%	89%	89%
	交流输入电流 Ac current (typ.)	3A/115VAC 1.6A/230VAC			
保护特性 Protection characteristics	过载 Overload	105~135% rated output power 当输出电压低于额定值的 50% 时，进入打嗝保护模式；故障消除后自动恢复正常工作。 当输出电压在额定值的 50%-100% 区间时，执行恒流限幅保护；故障消除后自动恢复正常工作。 Hiccup mode when output voltage <50%, recovers automatically after fault condition is removed. Constant current limiting within 50%~100% rated output voltage, recovers automatically after fault condition is removed.			
	过电压 Over voltage	14.2~16.2V	18.8~22.5V	42~48V	56.5~64.8V
	短路保护 Short circuit protection	+VO 降至欠压点以关闭输出 +VO drops to undervoltage point to close output			