



Deer Pack mount Kit assembly instructions

1. Start by laying all the pcs out on a flat surface. (note: logs are raw, if you want to add a varnish, it is best to do before assembly)
2. Lay the two long logs parallel to each other and space them approximately 12" apart (center to center)
3. Lay the 3 short logs as shown in image 1. They are notched and drilled to aid in placement. You may space the logs at any dimensions you want, it just depends on the look you desire.
4. Insert screws and tighten. Image 2
5. If desired wrap twine around each joint in a crisscross pattern. Image 3.
6. You are now ready to add your animal mount and other accessories to complement your own design.



Image 1



Image 2

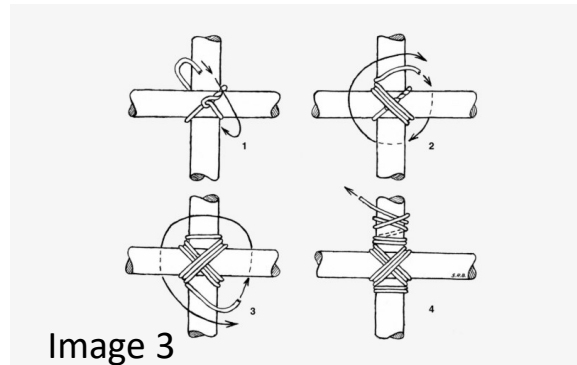


Image 3

