



**MKA 919**  
PISTOL  
By Husan



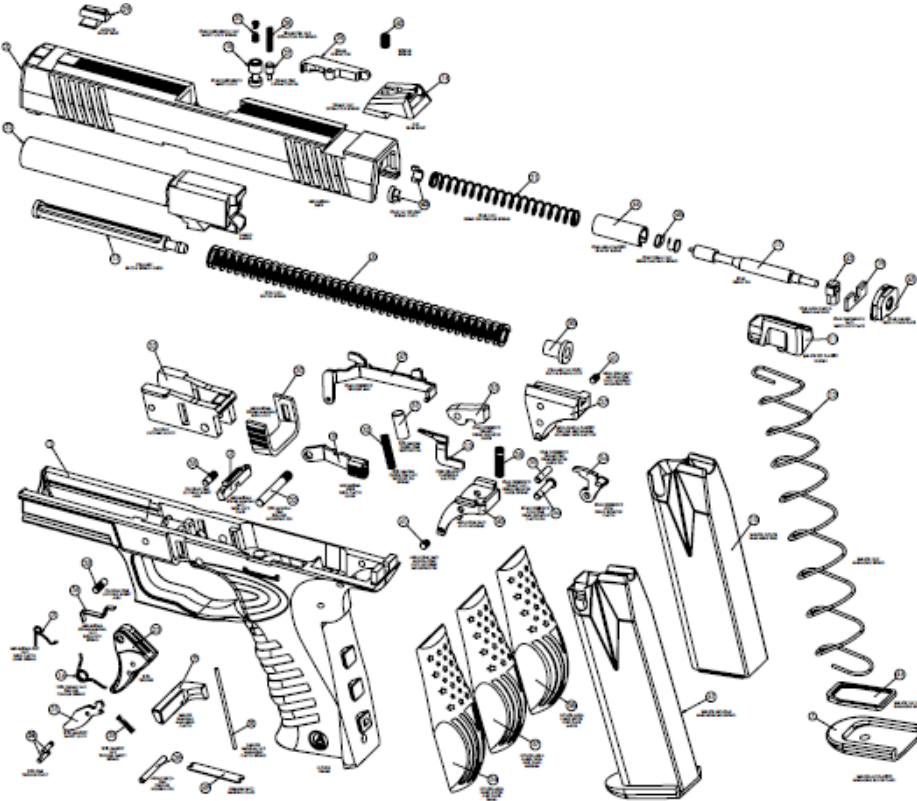
### TECHNICAL SPECIFICATIONS

Caliber	9 x 19 mm
Model	Polymer Receiver
Capacity	15
Fire Mode	Semi Automatic
Effective Range	75 m (+/-%10)
Muzzle Velocity	380m/s (+/-%10)
Length	190 mm (7,5 inch)
Height	130 mm (5,1 inch)
Width	28 mm (1,1 inch)
Barrel Length	113 mm (4,4 inch)
Empty Weight	800 gr (1,76 lbs)
Full Weight	982 gr (2,16 lbs)
Empty Magazine Weight	60 gr (0,13 lbs)
Full Magazine Weight	242 gr (0,53 lbs)
Distance Between Sights	155,5(+/-3mm)
Operation Mechanism	Locked Breech Mechanism



## TECHNICAL SPECIFICATIONS (TEKNİK ÖZELLİKLER)

Type Of Ammunition	9x19 Parabellum
Maximum Chamber Pressure	Maksimum 250 Bar
Operating Temperature Range	-20 C / +55 C
Storage Temperature Range	-20 C / +55 C



**HUSAN ARMS**  
SHOTGUNS - RIFLE - PISTOL



MADE IN TURKEY

Turkey Discover the potential