

The logo features a stylized circular graphic on the left, resembling a target or a clock face with a vertical line at the top and a horizontal line on the left. To the right of this graphic, the text "MKK 1919 AP" is written in a bold, yellow, sans-serif font. Below this, the text "By Husan" is written in a smaller, black, sans-serif font.

MKK 1919 AP
By Husan



**12GA SHOTGUN
USER MANUAL**



CONGRATULATIONS

You are now the owner of an MKA 1919 AP shotgun! Your shotgun has an innovative design and is manufactured from high quality materials. With regularly performed maintenance and the use of proper ammunition, it will provide you with many years of service.

In order to achieve the best performance and reliability from your shotgun, please read and fully understand all of the instructions, safety guidelines and warnings carefully in this manual. Your new shotgun is incredibly reliable and safe unless it is handled in a careless or irresponsible manner.

DISCLAIMER OF LIABILITY

GARAYSAR, shall not be responsible for product malfunctioning or for physical injury, death or damage to property resulting from either intentional or accidental discharge of this firearm, its criminal or negligent use, improper or careless handling, unauthorized modifications or alterations, use of defective or improper or hand-loaded or (replaced) ammunition, or from its use for purposes or subjection to treatment for which it was not designed. For your safety, use only original high quality commercially manufactured ammunition in good condition that is appropriate to the caliber/gauge of your gun. GARAYSAR shall not be responsible for product or its result from use of defective, improper or reloaded ammunition. GARAYSAR reserves the right to add to and/or modify the content of this manual at any time.

Note: This manual was prepared to include instructions for all MKA 1919 AP semi-automatic shotgun models. Photographs shown in this manual may not be from the exact model that you have, but the instructions will still apply.

FIREARM OWNER'S RECORD



MODEL _____ SERIAL # _____ DATE PURCHASED _____

IMPORTANT WARNING: INFORMATION AND SPECIFICATIONS CONTAINED IN THIS MANUAL MAY CHANGE WITHOUT NOTIFICATION

CARE AND MAINTENANCE FOR YOUR MKA 1919 AP SHOTGUN

1) NEVER ALTER OR MODIFY YOUR SHOTGUN

This shotgun was produced by specific manufacturer guidelines and should not be changed under ANY circumstances. Altering the trigger, mechanical components, safety mechanisms, or using any other products other than those provided in the original box is **NOT RECOMMENDED** by the manufacturer, and could result in death, bodily harm, or compromise your safety or the safety of others. Any alteration made to the firearm also voids the factory warranty.

2) PROPER CARE AND MAINTENANCE

It is essential that regular maintenance and cleaning be performed to maintain the accuracy, function and maximize the longevity of your firearm. Before cleaning **ALWAYS** perform a safety check to make sure that the firearm is unloaded prior to cleaning.



Model: MKA 1919 AP

Caliber: 12 GA

Operation: Semi Auto

Weight (without Mag): 4200 gr

Length: 950 mm

Height: 230 mm

Barrel Length: 500 mm

Sight Range: 430 mm

Magazine Weight (empty): 350 gr

Magazine Capacity: 5-10 cartridges

TABLE OF CONTENTS



Congratulations.....	page 2
Firearm Owner's Record.....	page 3
Technical Specifications.....	page 4
Table of Contents.....	page 5
A Gun Owner's Responsibility.....	page 6
Firearm Safety.....	pages 7-15
Transportation and Storage.....	page 15
Loading.....	page 16
Unloading.....	page 17
Disassembly.....	pages 18-20
Parts Diagram.....	page 21
Ammunition.....	page 22
Chokes.....	page 23
Cleaning and Maintenance.....	page 24
Warranty.....	page 25
Importer and Manufacturer.....	page 26



A GUN OWNER'S RESPONSIBILITY

The U.S. constitution has granted you the right and honor to own a firearm. Treat this privilege with care and respect. As the owner of a firearm, you have the responsibility and obligation to ensure that any and all shooting activities are safe for everyone. This requires your personal commitment to carefully read, fully understand, and exercise the principles of proper firearm safety at all times.

DISCLAIMER

This firearm, in which these safety rules apply, is sold under the expressed conditions that the manufacturer and importer accept no liability in part or whole for bodily function, death, or property damage from:

- Improperly or carelessly handling the firearm.
- Using defective, improper caliber, hand-loaded, or reloaded ammunition.
- Inadequate maintenance of the shotgun resulting in corrosion or damage.
- Negligence or malfunctions.
- Resale in contradiction of any applicable laws or regulations.
- Altering or converting the firearm's original aesthetic, functioning mechanisms, accessories, or mechanical configuration.
- Discharging with criminal intent or negligence.
- Failure to understand, adhere to, and follow the rules of firearm safety when using or handling the firearm.
- Or any other circumstances outside the manufacturer's or importer's direct or immediate control.

IMPORTANT WARNING: It is important for you to receive proper training from a competent firearms instructor or authority before beginning to shoot or when handling a firearm.

WARNING: Failure to adhere to the rules of firearm safety can result in serious injury, death, or destruction of property. Children are attracted to and can operate firearms that can cause severe injuries or death. Prevent child access by always keeping guns locked away and unloaded when not in use. If you keep a loaded firearm where a child can obtain and improperly use it, you may be fined or sent to prison.

- 1. COMPLETELY READ AND UNDERSTAND YOUR OWNER'S MANUAL GUIDELINES BEFORE USING YOUR FIREARM.** You should fully understand the function of all of the components and mechanics of the firearm. Before you remove the firearm out of the box, thoroughly read the owner's manual on how to properly carry, handle, load, unload, and store your new firearm. Know the rules of proper gun safety and exercise them at all times because failure to do so may result in death or injury to yourself or others. Because it is impossible to list every firearm situation or scenario, be aware that certain circumstances may require additional safety rules unique to a particular situation. In these cases, we recommend that you use sound gun safety rules, judgement, and discretion.
- 2. ALWAYS LEARN THE SPECIFIC MECHANICAL AND HANDLING CHARACTERISTICS OF YOUR SHOTGUN.** All firearms are different, therefore it is important for you to understand how to properly carry, use, and handle each one according to its specific guidelines. Before using any firearm, one must completely familiarize themselves with the type of firearm and its specific safe handling procedures for loading, unloading, carrying, shooting, maintenance, and storing.



NEVER

Give the shotgun to any person who has not thoroughly familiarized himself or herself with all of the information, safety rules, and warnings in the owner's manual.

3. **ALWAYS KEEP THE FIREARM UNLOADED UNTIL READY TO USE.** Firearms should be kept unloaded when not in use. Whenever you pick up a firearm, immediately engage the safety device and remove the magazine to visually inspect the chamber and confirm that it is clear. Always unload all ammunition from the chamber and remove the magazine after: 1) shooting, 2) before putting the firearm away, 3) putting it into a holster, 4) when not in use, and when handing it over to another person.

NEVER

- Leave a loaded gun unattended, propped up against a surface, or out of your hands.
- Assume a firearm is unloaded, even if you used it last. Always check to make sure that there is no ammunition and the chamber is clear.
- Load a cartridge into the chamber until you are ready to fire.
- Carry or transport your firearm with live ammunition in the chamber.
- Pass a firearm to another person or accept a firearm from another person, until the cylinder or action is open and you have personally checked that the weapon is completely unloaded.
- Haul a loaded firearm openly or in a carrying case.
- Transfer or hand a loaded firearm to someone else.

4. **ALWAYS KEEP YOUR FINGER OFF THE TRIGGER UNTIL YOU ARE READY TO SHOOT.** When holding the firearm be sure to rest your finger on the trigger guard and along the side of the gun.

NEVER

- Touch the trigger until you are ready to fire.
 - Engage in horseplay while handling a firearm.
 - Rely on the safety devices of the gun. Mechanical safeties are never foolproof and can wear out and malfunction over time. Remember to always handle all firearms using proper gun safety guidelines.
5. **ALWAYS KEEP THE GUN POINTED IN A SAFE DIRECTION.** A safe direction is one in which an accidental discharge cannot or would not cause injury or harm to yourself or others. Use extreme caution especially when loading and unloading your firearm. When handling any firearm always treat it as if it was loaded and ready to fire, even if you think it is empty. The recommended carrying position of your shotgun is with the hammer in de-cocked position.

NEVER

- Point your firearm at anything you don't intend to shoot.
- Use a firearm under the influence of alcohol, drugs, or any other substances that may impair your judgment, skills, or physical abilities.
- Target shoot or hunt with a firearm when you are fatigued or too tired to operate the firearm safely.
- Use your firearm if you have an illness or disability that could compromise your judgment and the safety of yourself or others.



6. **ALWAYS USE THE CORRECT AMMUNITION.** All firearms are manufactured to use a certain caliber or gauge of ammunition. Only use ammunition that the manufacturer has recommended. Always verify before loading that you have the correct ammunition that matches the manufacturer's recommendations. Using improperly reloaded or incorrect ammunition can cause death and injury. This can also damage or destroy your firearm which will void any warranty.

NEVER

- Shoot the gun unless you know you have the proper ammunition.
- Use hand loaded, nonstandard or reloaded ammunition.
- Fire ammunition that exceeds industry standard pressure specifications.
- Use old, soiled, or damaged ammunition.
- Use ammunition which does not feed reliably in your particular firearm as it may malfunction at a critical juncture.

7. **ALWAYS STORE YOUR FIREARM IN A SECURED STORAGE AREA TO PREVENT UNAUTHORIZED ACCESS OR USE FROM OTHER INDIVIDUALS.** There are many types of firearm storage devices as well as locking devices that attach directly to the firearm itself. Each individual must consider their particular circumstances so that the firearm is stored and maintained for optimal safety and security. Metal gun safes are recommended over open racks or glass front cabinets. Mechanical safeties built into the firearm can fail and should not be used as a substitute for safe gun handling and adherence to all firearm safety rules. Additionally, always store your ammunition locked up and secured separately from any firearms.

NEVER

- Store or hide a loaded firearm
- Leave your firearms where unauthorized access from other individuals can occur.
- Allow access to individuals who do not understand or follow the rules of proper gun safety.
- Leave an unsecured firearm in a bed, drawer, closet, or any other vehicle that could allow access to children or other unauthorized individuals.
- Allow children under the age of 18 access to any firearms without close supervision and proper firearm safety training.

8. ALWAYS COMPLY WITH ALL LOCAL, STATE, AND FEDERAL LAWS THAT GOVERN THE OWNERSHIP, STORAGE, CARRYING, AND USE OF FIREARMS.

NEVER

- Vandalize any public or private property by using it as a target.
 - Poach a game animal out of season.
 - Kill any animal you don't intend to eat.
9. **ALWAYS KNOW YOUR TARGET AND WHAT IS BEYOND.** Before you pull the trigger be sure of your target and what is behind it. Shoot only in areas that have approved backdrops such as a shooting range, or backstops such as a hillside or berm. Also, know how far your shot will travel in case you miss the target or the bullet ricochets.



NEVER

- Fire in the direction in which there are people.
- Fire at a sound, movement, or a flash of color.
- Shoot directly upwards or at a high angle of elevation. Firing at or into the air can have enough energy to travel long distances and accidentally injure or kill someone.
- Shoot across a highway or other roadway.

10. **ALWAYS WEAR EYE/EAR/BODY PROTECTION.** Gases and debris can cause injury so it is very important that one wears protective gear to preserve their hearing and eyesight. Also, while in the field wear at least 1000 square inches or more of blaze orange so that you can be visible by others.

NEVER

- Discharge a firearm in a poorly ventilated area.

IMPORTANT WARNING: Possible lead exposure can occur when discharging firearms in a poorly ventilated area, cleaning the firearm, or handling ammunition. Lead and its components is a substance known to cause birth defects, reproductive destruction/impairment, cancer, or other serious health conditions and injury. Always have adequate ventilation at all times and wash your hands and other contact areas thoroughly after each exposure.

11. **ALWAYS HANDLE WITH EXTREME CARE IF YOUR GUN FAILS TO FIRE WHEN THE TRIGGER IS PULLED.** If the ammunition doesn't fire when you pull the trigger, **STOP!** and remember to always keep the firearm pointed in a safe direction. Keep your face away from the breech, then put the safety on, carefully open the action, unload the firearm and dispose of the cartridge safely. Always keep in mind that anytime there is a shell in the chamber, your firearm is **LOADED** and ready to fire. Even if you tried to shoot and the firearm did not fire, always treat it as if it could still discharge.
12. **ALWAYS TREAT THE FIREARM AS IF IT WAS LOADED. EVEN IF THE SAFETY IS POSITIONED CORRECTLY AND KEEP YOUR FINGERS AWAY FROM THE TRIGGER WHEN LOADING AND UNLOADING.** A gun is a mechanical device and is not foolproof and is subject to wear and tear over time. Always keep your fingers away from the trigger when you are loading and unloading, if the manual safety proves to be ineffective for any reason, danger of an unintentional discharge exists. The weapon is then to be immediately unloaded and restricted from further use. Contact factory or the U.S. importer so that the gun can be inspected and repaired by an authorized gunsmith. **REMEMBER THAT ANY FIREARM SAFETY MECHANISMS CAN FAIL, EVEN IF THE SAFETY IS ENGAGED. YOU SHOULD ALWAYS ASSUME THAT A FIREARM IS LOADED WHEN HANDLING IT.**

NEVER

- Risk an accidental discharge by walking with a loaded firearm when going through or climbing obstacles such as a fence or other obstructive barriers.
- Rely on your gun's safety mechanisms.
- Sleep with a loaded firearm in your possession.

13. **ALWAYS KEEP YOUR SHOTGUN IN THE SAME MECHANICAL AND STRUCTURAL CONFIGURATION AS IT WAS WHEN IT WAS MANUFACTURED.** This shotgun was produced under specific manufacturer guidelines and should not be altered or changed under **ANY** circumstances. Performing conversions by altering the trigger, mechanical components, safety mechanisms, or using any other products other than those provided in the original box is **NOT RECOMMENDED** by the manufacturer, and could result in death, bodily harm, or compromising your safety or the safety of others. Any alteration made to the firearm also voids the factory warranty. Like any mechanical device it is subject to normal wear and tear from use. In order to maintain optimal safety and performance it should be periodically serviced. You must regularly clean and lubricate your firearm to maintain its functionality, accuracy, safety, and reliability. Always before cleaning or lubricating any firearm make sure that you perform a safety check to make sure that the firearm is completely unloaded prior to performing any routine maintenance. If for some reason your firearm does require repairing, you must contact the U.S. importer for an approved service provider. Using unauthorized personnel to repair your firearm will void your manufacturer's warranty.

NEVER

- Alter, convert, or change your firearm from its original manufacturer's configuration.
- Try to shoot out an obstruction by loading another shell and firing.

IMPORTANT WARNING: This firearm was designed to function properly in its original condition. The manufacturer will not be held liable or legally responsible for any alteration performed on the firearm after it leaves their control. This includes any addition or substitution of parts or accessories that are not manufactured by Husan Arms ind.co.ltd.sti. Any changes made to the firearm is specifically contrary to our instructions and we expressly do not authorize any changes be made after manufacture. Do not jeopardize the safety of yourself or others by making modifications to your firearm.

14. ALWAYS MAKE SURE THE BARREL IS CLEAR OF ANY OBSTRUCTIONS BEFORE SHOOTING.

Before loading always perform a safety check to make sure that there is no ammunition in the chamber or magazine. Examine the barrel for any obstructions or debris such as excess lubricant, dirt, or grease. If the bore is obstructed it can cause increased pressure causing the barrel to bulge or burst during use. Always use a cleaning rod and patch to remove any residues or obstructions in the barrel. Be familiar with your firearm. If the noise or recoil seems muffled or weak then STOP! And proceed to unload your firearm and check to make sure nothing is lodged in the barrel.

IMPORTANT WARNING: Children are attracted to and can operate firearms that can cause severe injuries or death. Prevent child access by always keeping guns locked away and unloaded when not in use. If you keep a loaded firearm where a child can obtain and improperly use it, you may be fined or sent to prison.

ADVERTENCIA IMPORTANTE: A los niños les atraen las armas de fuego y los pueden hacer funcionar. Ellos pueden causarse lesiones graves y la muerte. Evite que los niños tengan acceso a las armas de fuego guardándolas siempre con llave y descargadas cuando no las esté utilizando. Si usted tiene un arma de fuego cargada en un lugar en que un niño no tiene acceso a ella y la usa indebidamente. Le pueden dar una multa o enviarlo a la cárcel.

TRANSPORTATION - For your own safety and the safety of others, always transport the shotgun unloaded, de-cocked and under lock. Never carry or transport the shotgun with a round in the chamber and the hammer cocked.

STORAGE - Firearms should always be stored securely and unloaded, under lock and key. When storing your shotgun, keep it separated from any ammunition, and out of the reach of children and other inexperienced or unauthorized persons. Never place or store any firearm in such a manner that it may be dislodged or dropped.



LOADING THE SHOTGUN

LOADING

1. First, point the shotgun in a safe direction. Remember, a safe direction means that the gun is pointed so that even if it were to go off, it would not cause injury, damage, or death. Always perform a safety check to make sure that the chamber is empty.
2. When the magazine is empty, the bolt catch lever holds the bolt open at the rear. Press the magazine release to remove the empty magazine and insert a loaded magazine. Remember to only use ammunition that is recommended by the manufacturer.
3. Push down the bolt catch lever with the thumb of the shooting hand. This will allow the bolt to move forward and chamber a round.

THE SHOTGUN IS NOW LOADED AND READY TO FIRE!

IMPORTANT WARNING: ALWAYS UNLOAD YOUR FIREARM IMMEDIATELY AFTER SHOOTING



WARNING: These products can expose you to chemicals including LEAD, which is known to the State of California to cause cancer and birth defects or other reproductive harm. For more information go to www.P65Warnings.ca.gov.



ADVERTENCIA: Este producto puede exponerle a químicos incluyendo PLOMO, que es conocido por el Estado de California como causante de cáncer y defectos de nacimiento u otros daños reproductivos. Para mayor información, visite www.P65Warnings.ca.gov.

UNLOADING

1. Point the shotgun in a safe direction. Remember, a safe direction means that the gun is pointed so that even if it were to go off, it would not cause injury, damage, or death.
2. Keep your fingers off the trigger and remove the magazine.
3. Pull back the charging handle one or more times to insure the chamber is empty. Watch for a live round or empty case to be ejected. Pull the charging handle fully rearward and lock the bolt with the bolt catch lever.
4. Make sure the last round in the chamber has been extracted and ejected. Visually and physically check the chamber and the magazine well to make sure the shotgun has been fully unloaded. Perform a safety check by physically inserting your index finger in the chamber to feel for the presence of a round or cartridge case in the chamber.

THE SHOTGUN IS NOW UNLOADED

1. Depress the bolt catch lever and the bolt will be release forward.
2. Unload and store the empty magazine.
3. Pick up and store all ammunition rounds in a secured area.
4. Perform proper maintenance such as cleaning and oiling after each shooting session.

MANUFACTURERS WARNING: This manufactured firearm was designed to perform with its original parts. It is your responsibility to make sure that any parts you buy are authentic and correctly installed and that the parts have not been altered or changed. It is imperative that only factory parts be used as replacements to assure that the firearm remains functionally safe and operates accurately. **The gun owner accepts full responsibility for the correct reassembly and functioning of the firearm after any disassembly or replacement of parts.**

IMPORTANT WARNING: Before you begin any disassembly always **1) Point the shotgun in a safe direction. 2) Be sure that you remove the magazine from the firearm. 3) Visually and manually inspect the chamber to confirm that it is empty.**

1. Point the shotgun in a safe direction and keep fingers off the trigger and out of the trigger guard.
2. Depress the magazine catch and remove the magazine (See Fig 1).
3. Retract the charging handle and lock the mechanism back in the open position by pressing the mechanism stop latch. Visually and manually check to confirm that the chamber is empty while the mechanism is in the locked position. Also make sure that the magazine slot is empty (See Figures 2-4).
4. Using the wrench, remove the barrel nut (See Figures 5-6).

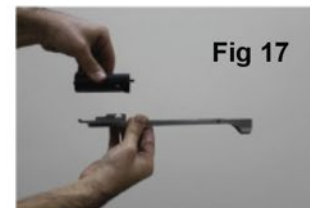


DISASSEMBLY

5. Pull the handguard securing plate out and release it on the barrel (See Fig 7).
6. Remove the gas discharge lock nut by turning it counter clockwise (See Fig 8).
7. Remove the gas discharge nut by turning it clockwise (See Fig 9).
8. Remove the gas discharge spring (See Fig 10).
9. Next, remove the gas evacuation ring (See Fig 11).
10. Dislodge the barrel by shaking it slightly (See Fig 12).
11. Remove the piston over the recoil shaft by sliding it (See Fig 13).



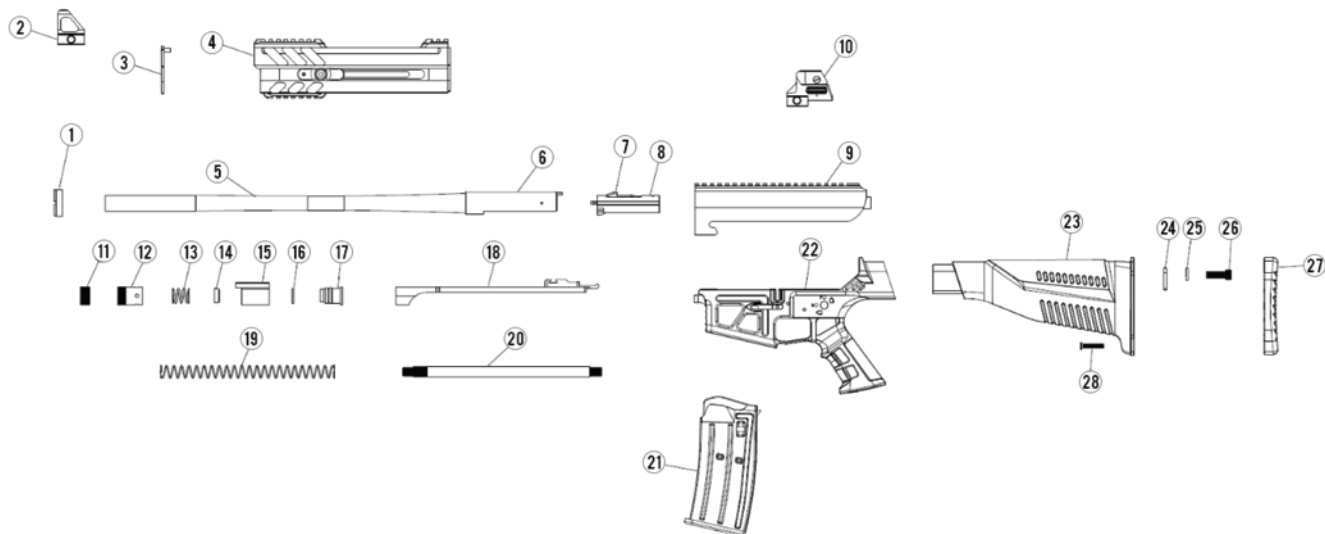
12. Remove the charging handle (See Figures 14-15).
13. Pull the mechanism carrier arm forward to remove the action of the rifle (See Fig 16).
14. Separate the mechanism (action) group and the mechanism carrier (Fig 17).



THE SHOTGUN IS NOW FIELD STRIPPED

As with most firearms, reassembly is carried out in the reverse order of disassembly.

PARTS DIAGRAM



- | | | |
|--------------------------|------------------------------|--|
| 1. Barrel nut | 10. Rear sight set | 20. Op. Rod |
| 2. Front sight set | 11. Gas regulator contra nut | 21. Magazine |
| 3. Handguard front cover | 12. Gas regulator nut | 22. Lower receiver |
| 4. Handguard | 13. Gas adjustment spring | 23. Butt stock |
| 5. Barrel | 14. Gas regulator ring | 24. Upper receiver fixing screw washer |
| 6. Barrel extension | 15. Barrel lug | 25. Serrated washer |
| 7. Locking block | 16. Gas piston ring | 26. Upper receiver fixing screw |
| 8. Bolt | 17. Gas piston | 27. Recoil pad |
| 9. Upper receiver | 18. Bolt carrier | 28. Recoil pad screw |
| | 19. Recoil spring | |



AMMUNITION

All steel or lead shot 12 gauge shotgun cartridges manufactured and loaded with current U.S. industry specifications can be used in the MKA 1919 AP shotgun. This shotgun has 3 inch chambers and may be used with all standard commercially manufactured 2 3/4 inch (70mm) and 3 inch (76mm) shot shells. It is intended to be used with only standard ammunition of the proper gauge and loading. Remember that the shotgun functions by energy generated by gas expansion. Therefore, one must always use ammunition that is strong enough to fully cycle the action. The MKA 1919 AP shotgun may require a breaking in period before it will function using light loads. If you experience any initial functioning problems, we recommended firing 3-4 boxes of standard hunting cartridges.

AMMUNITION DISCLAIMER: The manufacturer disclaims any responsibility for damage or injury that occurs in connection with or as a result of using faulty, nonstandard, remanufactured, handloaded (reloaded) ammunition or other shotshells other than those for which the firearm was originally chambered.

AMMUNITION WARNING: Firearms can be damaged, and death or serious injury may result from any condition which generates excessive pressure or uncontrolled release of gas within the firearm. These adverse conditions can be caused by chamber or bore obstructions, propellant powder overloads, or by old, defective, incorrect, or improperly loaded and assembled shotshell components. It is extremely dangerous to use a shotshell that's pressure exceeds those developed to industry standards. Any firearm can be blown up with excessive pressure.

LEAD EXPOSURE WARNING: Possible lead exposure can occur when discharging firearms in a poorly ventilated area, cleaning the firearm, or handling ammunition. Lead and its components is a substance known to cause birth defects, reproductive destruction/impairment, cancer, or other serious health conditions and injury. Always have adequate ventilation at all times and wash your hands and other contact areas thoroughly after each exposure.

CHOKES



The MKA 1919 AP shotgun comes with 3 screw-in internal chokes (full, modified and cylinder bore). Each choke can be identified by the number of notches on it (full-1 notch, modified-3 notches, and cylinder bore-5 notches). A choke wrench is supplied in the box with the chokes. Before you attempt to install a choke always perform a safety check to make sure that the shotgun is unloaded and pointed in a safe direction. To install the choke you can insert it into the end of the barrel and hand screw it. It can then be tightened with the choke wrench to secure it in place.

SCREW-IN CHOKE WARNING: Never peer directly into the shotgun's muzzle or change chokes when the gun is loaded regardless of the position of the safety. Never fire the shotgun if the screw-in choke is not fully and tightly bottomed to the barrel threads, or improperly installed or "cross-threaded", or if the threads of the barrel or choke insert is damaged. In this situation the barrel will be damaged and the choke insert will be propelled out of the muzzle with high velocity which can result in death, serious injury, or property damage. Never fire the shotgun without the screw-in choke in place as it will cause an unpredictable shot pattern and damage the choke threads in the barrel thus making correct installation of the screw-in choke impossible without expensive re-barrelling. Never use other makes of choke tubes except for the MKA 1919 brand and never alter any components provided with your shotgun.



CLEANING AND MAINTENANCE

IMPORTANT WARNING: Before you start cleaning your shotgun always make sure it is unloaded and pointed in a safe direction.

LUBRICATION WARNING: Firing a shotgun with oil, grease, or other debris partially obstructing the bore may result in damage to the firearm or injury to the shooter and those nearby. Before firing make sure the bore and chamber of the barrel is unobstructed and dry. Never spray or apply lubricant on shotshells. Firing another shotshell behind an obstruction may damage the shotgun and cause death or injury. Only use lubricants properly and sparingly. You are responsible for the proper care and maintenance of your shotgun.

STEP 1: Disassemble your shotgun (see pages 18-20).

STEP 2: Using a proper cleaning rod, run a solvent-wetted patch through the bore several times. This will then be followed by running dry patches through the bore to remove any debris or residue.

STEP 3: If the bore is leaded to the extent that the above patch cleaning procedure did not remove the lead, then scrub the bore full length with a solvent-wetted brass bristle brush. When the leading is loose then repeat step #2.

STEP 4: The surfaces of bolt carrier, ejector, and inside surfaces of the receiver should be coated very lightly with non-penetrating lubricating oil.

STEP 5: Reassemble the shotgun and wipe the exterior metal surfaces sparingly with an oiled cloth. Swab the bore with an oily patch before storing the firearm.

STEP 6: Place the shotgun in a safe, locked storage space where unauthorized persons cannot access the firearm. Never store the shotgun in a leather case as leather attracts moisture even though it may appear dry.

WARRANTY



WARRANTY POLICY

The manufacturer provides to the original retail purchaser a WARRANTY for a period of two (2) years from the date of purchase against defects in material or workmanship. It will be the discretion of the manufacturer and importer as to whether the parts/labor or replacement will result in a charge to the consumer. The importer or manufacturer has the right to research, inspect, and test the weapon to assess any claim made under the warranty.

WARRANTY EXCLUSIONS

The warranty is VOID if the firearm has been altered, abused, misused, damaged by accident, fired with hand loaded or reloaded ammunition, obstructions in the barrel, or damage due to failure to provide regular and necessary maintenance. Also this warranty is VOID if any unauthorized repair or alteration is performed on the firearm.

WARRANTY REPAIR SERVICE INFORMATION

Contact the U.S. Importer for further instructions on how to get your shotgun serviced during the warranty period.

To obtain warranty performances send your firearm with proof of retail purchase, freight prepaid to:

GARAYSAR

16651 OLD US 41

FORT MYERS, FL 33912

Note: It is illegal to ship a firearm with ammunition in the firearm or in the same packaging. Firearms and ammunition must be shipped separately. For more information about shipping ammunition, call GARAYSAR at (877) 332-7630.





IMPORTER

HUSAN ARMS USA

P. +1 254 935 3800 ext. 103

F. +1 254 613 9120

11592 Highview Dr.

Belton, TX 76513

sales@husanarmusa.com

husanarmusa.com

husanarms.com

Manufacturer

Husan Metal Teknolojileri Sanayi ve Ticaret A.Ş.

Esentepe Mh. 40522. Sk. No:2B P.K. 42700

BEYŞEHİR / KONYA – TURKEY

www.husan.com.tr

info@husanarms.com

Tel: +90 332 511 04 00 – 01 – 02 – 03

Fax: +90 332 511 03 92