

# 1" Compact Purge Valve & Actuator Combo



JOB NAME:	CONTRACTOR:
JOB LOCATION:	APPROVAL:
ENGINEER:	CONTRACTOR P.O.:
APPROVAL:	REPRESENTATIVE:

## 8E864-00\*

**250N DIRECT MOUNT, 2-WAY BRASS, FULL PORT BALL VALVE W/ELECTRIC ACTUATOR**  
SIZES 1/2" TO 1-1/4"

## 8E868-00\*

**253N DIRECT MOUNT, 2-WAY BRASS, SS BALL & STEM FULL PORT BALL VALVE W/ELECTRIC ACTUATOR**  
SIZES 1/2" TO 1-1/4"

\*002 - 24V AC/DC \*003 - 100-240V AC

### SPECIFICATIONS

The "Mini" 8E864 series is ideally suited for applications where space and reliability is a must. This compact unit features a hardened, dent-resistant polymer electric motor and an 30" pigtail wire for quick hook-up, in either 2-point or 3-point control mode.

The IP65 housing is resistant to dusty environments and to areas where water may be sprayed.

This series, due to its lightweight design, can be installed in either vertical or horizontal position. When the valve is in the open position, an LED light will come on to sign "OPEN"

Combining Valve & Actuator with our matched Controller/ Shutoff package offers a full and reliable purge solution.

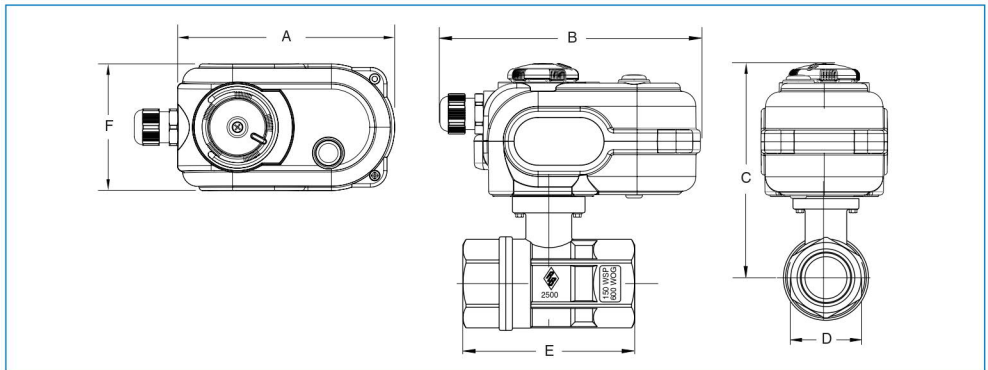


### ACTUATOR FEATURES

- 24V AC/DC & 100-240V AC Models Available.
- 120V AC - 75% Duty Cycle w/ 8 sec. cycle time.
- 24V AC/DC - 50% Duty Cycle w/ 6.5 sec. cycle time
- High-Strength, Impact Resistant IP65 Technopolymer Housing.
- One auxiliary SPDT contact on closed.
- Temperature Range 23°F to 131°F
- ISO 5211, F03/F05 base w/ 11mm female drive.
- Anti-condensation heater
- Quiet operation w/ LED light in open position.
- Output Torque 89 in/Lbs.
- 30" pigtail for quick installation
- Absorbed current for 120V AC is 4A
- Absorbed current for 24V AC/DC is 6A

### VALVE FEATURES

- Brass
- Full Port, Sizes 1/2" to 1-1/4"
- ISO 5211 pad and square stem
- Pressure rating to 600 WOG
- Temperature range -4°F to 366°F
- Low torque design with back up O-ring seats
- Double O-ring stem seal design for extended cycle life
- 100% electronically tested in the open and closed position@80 Psi



Pressure rating: 1000 psi, 150 psi steam 1/2" to 1-1/4"

Size	A	B	C	D	E	F
1/2"	5.11	6.14	5.09	1.06	2.64	2.95
3/4"	5.11	6.14	5.29	1.26	3.00	2.95
<b>1"</b>	5.11	6.14	5.91	1.61	3.35	2.95
1-1/4"	5.11	6.14	6.23	1.97	3.66	2.95

**epiphene Corporation**

Phone: +1 (559) 288 2392 Email: [info@epiphene.com](mailto:info@epiphene.com) Website: [epiphene.com](http://epiphene.com)  
Clovis, Ca. USA

VALVE TIMER

NEW



MODEL	DESCRIPTION
ET-AC	Valve Timer - 5.0A AC / 277V AC
ET-DC	Valve Timer - 5.0A DC / 125V DC

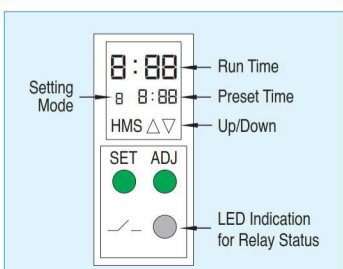
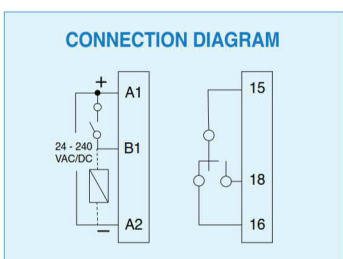
ENCLOSURE FEATURES & SPECIFICATIONS		
	Protection Level	IP65 - Nema Type 4x
	Enclosure Material	Polycarbonate
	Door Material	Polycarbonate
	Material Temperature Range	-40°C to 120°C (-40°F to 248°F)
	Included Accessories	35mm DIN rail

ENCLOSURE DIMENSIONS				
	A	B	C	D
	1.42	1.81	3.70	5.12

BREAKER - SINGLE POLE			
	MODEL	ET-AC	ET-DC
	Rated Current	5.0A AC	5.0A DC
	Rated Voltage	277V AC	125V DC

TIMER FEATURES
<ul style="list-style-type: none"> <li>Multi-functional Timer (8 or 18 Functions)</li> <li>Universal Voltage 24-265V AC/DC</li> <li>Wide Time Range: 0.1 seconds ~ 999 hours</li> <li>3 Digit LCD Display for Preset Time &amp; Run Time</li> <li>DIN Rail Mounted</li> <li>17.5mm Width</li> </ul>

TIMER FEATURES	
Output Contacts	1 C/O
No. of Timer Functions	8
Functions [Setting Mode]	<ol style="list-style-type: none"> <li>ON Delay [a]</li> <li>Cyclic OFF/ON [b]</li> <li>Cyclic ON/OFF [c]</li> <li>Signal ON/OFF [d]</li> <li>Signal OFF Delay [e]</li> <li>Interval [f]</li> <li>Signal OFF/ON [g]</li> <li>One Shot Output [h]</li> </ol>



TIMER SPECIFICATIONS	
Supply Voltage	24 - 265V AC/DC (50, 60Hz)
Power Consumption	10 VA max.
Cycle Timing Range	0.1 seconds - 999 hours
Reset Time	200ms. max
Repeat Accuracy	+ -0.5%
Output Contact Rating	8A @ 240V AC / 24V DC Resistive
Electrical Life	10,000 switching cycles
Mechanical Life	2,000,000 switching cycles
AC-15 Rating	Rated Voltage (ue): 125/240V, Rated Current (Ie): 3/1.5a
DC-13 Rating	Rated Voltage (ue): 125/250V, Rated Current (Ie): 2/0.22/0.1a
Operating Temperature	-10°C ~ +55°C (+14°F ~ 131°F)
Storage Temperature	-20°C ~ +65°C (-4°F ~ 149°F)
Terminal Wire Size	0.3-2.5 mm <sup>2</sup> (22-14 AWG)