


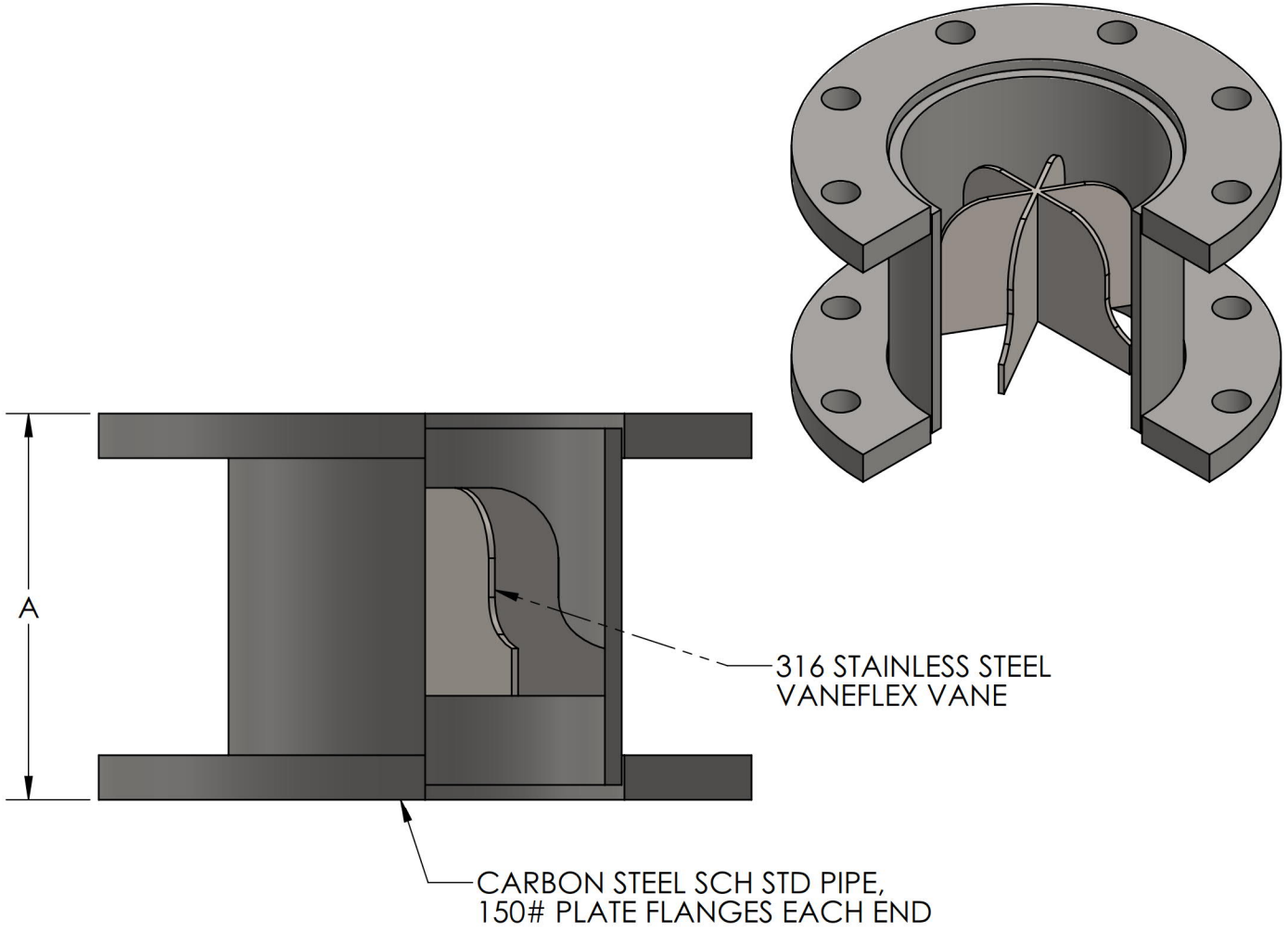
PART NUMBER	SIZE	A
SDFLP10A0200	2"	6"
SDFLP10A0250	2-1/2"	6"
SDFLP10A0300	3"	6"
SDFLP10A0400	4"	6"
SDFLP10A0500	5"	7"
SDFLP10A0600	6"	7"
SDFLP10A0800	8"	7"
SDFLP10A1000	10"	8"
SDFLP10A1200	12"	9"

CUSTOMER: _____

PROJECT: _____

ENGINEER: _____

REV.	DATE
 <small>ENERGY SAVING PUMP PROTECTION SOLUTIONS</small>	
<small>epiphene.com</small> <small>info@epiphene.com</small> <small>+1-559-288-2392</small>	
SDFL VANES, 150# PLATE FLANGES	
DRAWN BY: DKISH	DATE: 11/28/2018
APPROVED:	DATE:
SCALE: NTS	DRAWING NUMBER: SDFLP10A-1




PART NUMBER	SIZE	A
VFP10A0200	2"	6"
VFP10A0250	2-1/2"	6"
VFP10A0300	3"	6"
VFP10A0400	4"	6"
VFP10A0500	5"	7"
VFP10A0600	6"	7"
VFP10A0800	8"	7"
VFP10A1000	10"	8"
VFP10A1200	12"	9"

CUSTOMER: _____

PROJECT: _____

ENGINEER: _____

REV.	DATE
 epiphene.com info@epiphene.com +1-559-288-2392	
VANEFLEX VANES, 150# PLATE FLANGES	
DRAWN BY: DKISH	DATE: 11/28/2018
APPROVED:	DATE:
SCALE: NTS	DRAWING NUMBER: VFP10A-1