



400 Series Databook



Sonesse® 40

Somfy is the leading global manufacturer of strong, quiet motors with electronic and app controls for interior and exterior window coverings. Over 270 million users worldwide enjoy the more than 150 million motors produced since 1980. For more than four decades, Somfy engineers have designed products for both the commercial and residential markets to motorize window coverings such as interior shades, wood blinds, draperies, awnings, rolling shutters, exterior solar screens and projection screens. Somfy motorization systems are easily integrated with security, HVAC and lighting systems, providing total home or building automation.



WHY SOMFY?

Somfy has a committed Customer Support team comprised of Somfy motor and control specialists available for assistance:

Somfy Corporate Headquarters
800-22-SOMFY (76639)

General Customer Service
877-210-5327
CustomerService_us@somfy.com

Standard Purchase Order
Ordering_us@somfy.com

Rush Purchase Order
ExpeditedShippingOrders_us@somfy.com

Accounting Inquiries
AccountsReivable@somfy.com

Technical Support
877 - 233 - 0019
TechnicalSupport_us@somfy.com

Warranty Claim Requests
us_Return@somfy.com

- Somfy has a production capacity of more than 70,000 motors per day.
- Somfy motors have over 600 standards approvals worldwide.
- Somfy has certified over 100 patents since the year 2000.
- Every Somfy motor goes through an extensive quality assurance process including testing in extreme environmental conditions, for electrostatic discharge, mechanical shock, and high life cycle.
- Somfy has a network of 15,000 trained professional installers throughout the world.



Somfy operates in 60 countries, with 78 subsidiaries, and 52 agencies spread across 5 continents. With 8 production centers, Somfy is an efficient and reactive industry leader. Thanks to its strict quality standards, Somfy is able to satisfy the needs of over 270 million users worldwide.



Somfy understands that training and support are critical to success. Somfy's Expert Program has been developed to provide a platform for those who want to enhance their expertise of motorization and control solutions. Contact Somfy directly or visit www.somfysystems.com to learn more and sign up for training.

TABLE OF CONTENTS

INTRODUCTION

Somfy's 40mm Motor Range	2
--------------------------	---

MOTOR SPECIFICATIONS

Sonessé® 40 WT	6
Sonessé® 40 RTS	7
LS 40 WT	8
ALTUS® 40 RTS	9

CONTROL ACCESSORIES

Radio Technology Somfy® (RTS)	10-11
Somfy Digital Network - animeo® IP	11
Wired Controls	12-13

MECHANICAL ACCESSORIES, LIGHT GAP SPECIFICATIONS & BRACKET PROJECTIONS

Acmeda®	14-15
Somfy Decorator Type	16-17
RollEase® Skyline	18
Somfy CTS 40	19
RollEase® and ZMC® Fascia & Cassette Solutions	20
Additional Somfy Brackets, Crowns & Drives for 400 Series Motors	21

Acmeda® is a registered trademark of Acmeda International Group Incorporated.

RollEase® is a registered trademark of RollEase Inc. - Stamford, CT.

Crestron® is a registered trademark of Crestron Electronics, Inc.

ZMC® is a registered trademark of ZMC Window Coverings

Universal Remote Control, Inc.® is a trademark of Universal Remote Control, Inc.

Somfy's 40mm Motor Range

This document is a presentation of accessories and specifications related to the Sonesse® 40 (RTS & Wired), Altus® 40 RTS and LS 40 Wired motors. It provides the technical information needed to order, fabricate, and sell the complete range of Somfy's 40 mm motors. For additional information regarding any of the products in this document including motors, power sources, controls, interfaces, etc., please reference www.somfysystems.com where detailed instructions are available for download.

Conveniently Quiet – Sonesse® 40 (RTS & Wired)

The Sonesse® 40 Range with patent pending technology features a newly designed brake, rotor and gearbox to further reduce motor operating sound. Available in both RTS and wired versions, the Sonesse 40 can be used in a variety of interior window covering applications.

Power, Simplicity, and Convenience – Altus® 40 (RTS)

The Altus® 40 RTS features an integrated radio receiver within the motor which eliminates any wiring between the motor and controls. Available in two torques 4Nm and 9Nm, the Altus 40 RTS is ideal for exterior product applications.

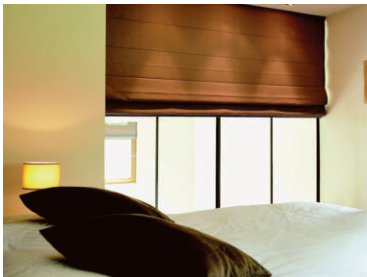
Proven Strength and Reliability – LS 40 (Wired)

The LS 40 motor is Somfy's original 40 mm solution. This robust and durable motor is available in a wide variety of torques and speeds and is a dependable source for exterior applications.





Sheer Horizontal Shades



Roman/Woven Shades



Horizontal Blinds



Awnings



Rolling Shutters



Exterior Solar Screens



Radio Technology Somfy® (RTS) allows wireless radio control of motorized window coverings via the RTS family of controls.



Offers control via standard AC switching.



As with all Somfy products, motors are backed by a 5 year warranty.

Sonesse® 40 – Designed to set the new acoustic standard.

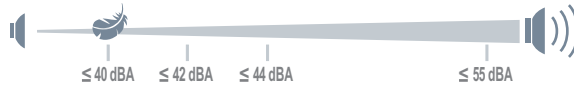
The most compact, adaptable and quiet 40 mm AC motor dedicated to interior window coverings.

The Sonesse® 40 range features 4 patents pending that reduce motor operating sound. The brake, rotor, and gearbox are all specially designed to absorb sources of noise. Available in both RTS and Wired, the Sonesse 40 can be used to motorize a variety of applications. The Sonesse 40 is compatible with Somfy's full range of controls and accessories including the Telis Modulis RTS, a hand-held remote with a scroll wheel exclusively designed for the precise control of blind slats.

SOMFY DESIGNED FOR SILENCE – Quietness Scale



The Sonesse® range of motors are rated according to their quietness. The volume scale below appears on all Sonesse range specification pages and designates the motor's level of sound output.



Telis Modulis RTS
Hand-held Remote



RollEase® crown and drive kit

Acmeda™ crown and drive kit

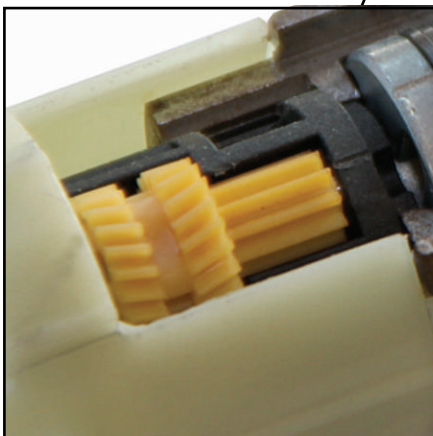
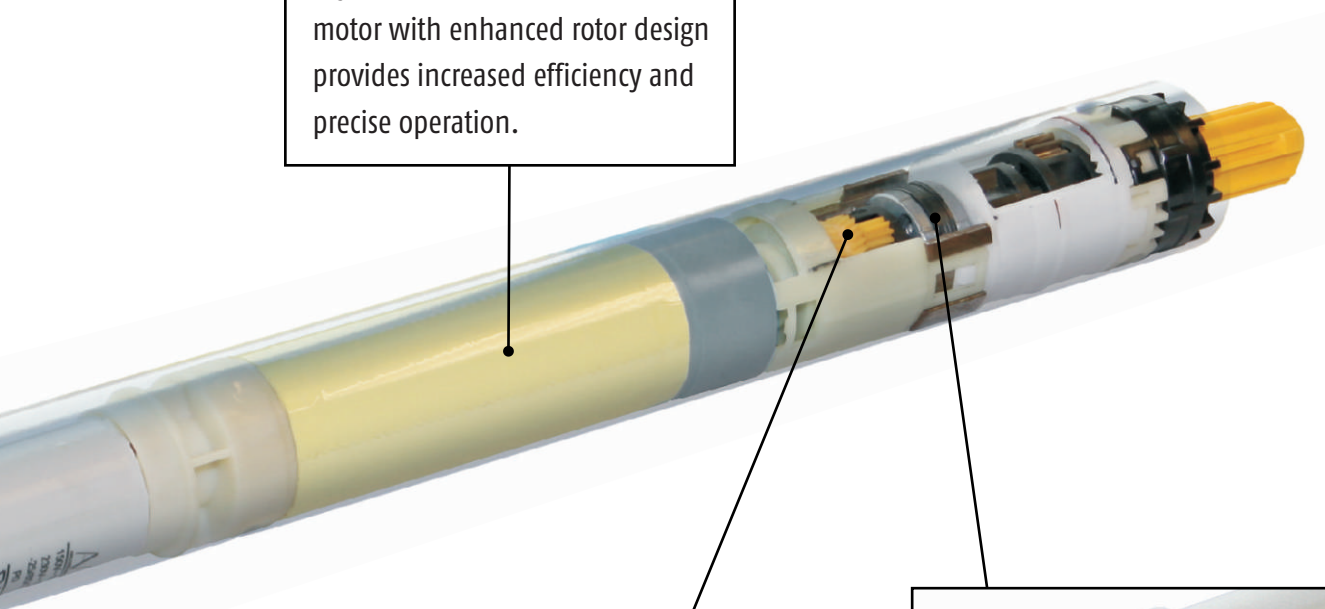
Somfy crown and drives for cylindrical and octagonal tubes.

RollEase®
Engineered to be Essential

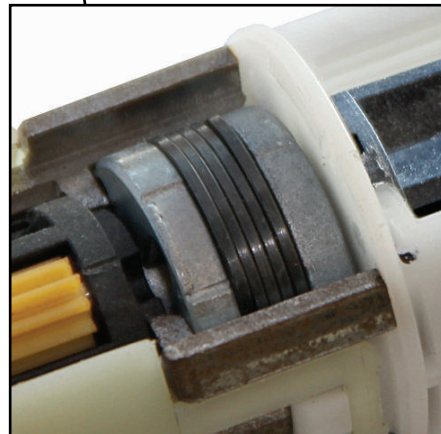
Acmeda

HOME MOTION by
somfy

Asynchronous, maintenance-free motor with enhanced rotor design provides increased efficiency and precise operation.



Innovative helical gearbox ensures uniform sound quality in both up and down directions.



New and improved spring brake eliminates stopping and tilting noise.



Offers control via AC power switching.

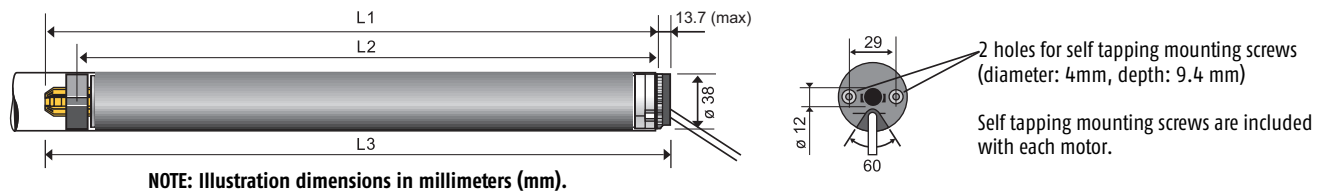
404S2 1001553
406A2 1001556
409R2 1001557



Technical features

Voltage Supply	120V AC	Limit Switch Capacity	40 Turns
Index protection rating (interior use only)	IP 44	Temperature working Range	32°F to 140°F (0°C to 60°C)
Limit switch type	Progressive Adjustment (PA)	Insulation class	Class 1 for 120 V AC

Dimensions



Dimensions	404S2	406A2	409R2
L1	18.19 in. (462 mm)	19.45 in. (494 mm)	19.45 in. (494 mm)
L2	17.36 in. (441 mm)	18.62 in. (473 mm)	18.62 in. (473 mm)
L3	18.82 in. (478 mm)	20.08 in. (510 mm)	20.08 in. (510 mm)
Cable Length	6.5 ft. (2 m)		

Specifications

	404S2	406A2	409R2
Torque	4 Nm	6 Nm	9 Nm
Nominal Voltage	120 V / 60 Hz		
Rated Current	.95 A	1.2 A	.98 A
Speed	36 rpm	24 rpm	14 rpm
Thermal Protection	4 minutes		
Sound Level*	42 dBA	44 dBA	40 dBA

*** Sound level:**

According to standards ISO 3741
 NF 31022 in dBA ref 1pW at nominal torque
 without end product.

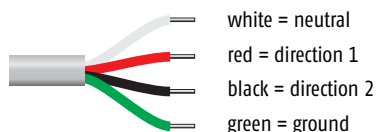
Fabrication recommendations:

Operational noise level is reduced when motor,
 tube, and mechanical accessories are properly
 adapted to motorized applications.



Type of power cable

Wired
120V AC / 60 Hz
4 conductor cable





404S2 1001636
406A2 1001637
409R2 1001638

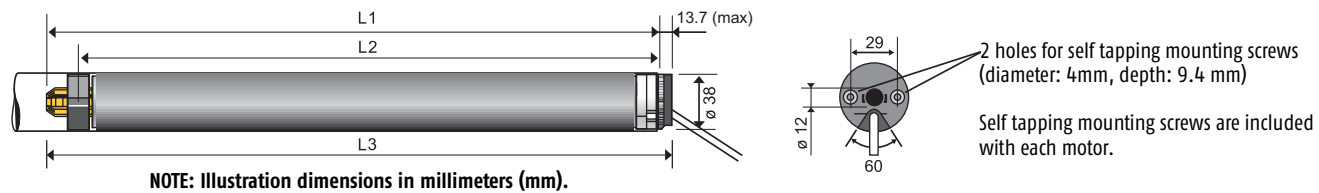


Radio Technology Somfy® (RTS) allows for wireless radio control of motorized window coverings via the RTS family of controls.

Technical features

Voltage Supply	120V AC	Limit Switch Capacity	250 Turns (limited to 3 minutes of rotation without stop)
Index protection rating (interior use only)	IP 44	Temperature working Range	32°F to 140°F (0°C to 60°C)
Limit switch type	Electronic (RTS)	Insulation class	Class 1 for 120 V AC

Dimensions



Dimensions	404S2	406A2	409R2
L1	19.84 in. (504 mm)	21.06 in. (535 mm)	21.06 in. (535 mm)
L2	18.90 in. (480 mm)	20.12 in. (511 mm)	20.12 in. (511 mm)
L3	20.35 in. (517 mm)	21.57 in. (548 mm)	21.57 in. (548 mm)
Cable Length	11.5 ft. (3.5 m)		

Specifications

	404S2	406A2	409R2
Torque	4 Nm	6 Nm	9 Nm
Nominal Voltage	120 V / 60 Hz		
Rated Current	.95 A	1.2 A	.98 A
Speed	36 rpm	24 rpm	14 rpm
Thermal Protection	4 minutes		
Radio Frequency	433.42 MHz		
Sound Level*	42 dBA	44 dBA	40 dBA

*** Sound level:**

According to standards ISO 3741
 NF 31022 in dBA ref 1pW at nominal torque
 without end product.

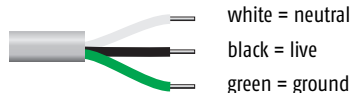
Fabrication recommendations:

Operational noise level is reduced when motor,
 tube, and mechanical accessories are properly
 adapted to motorized applications.



Type of power cable

RTS
120V AC / 60 Hz
3 conductor cable





Offers control via AC power switching.

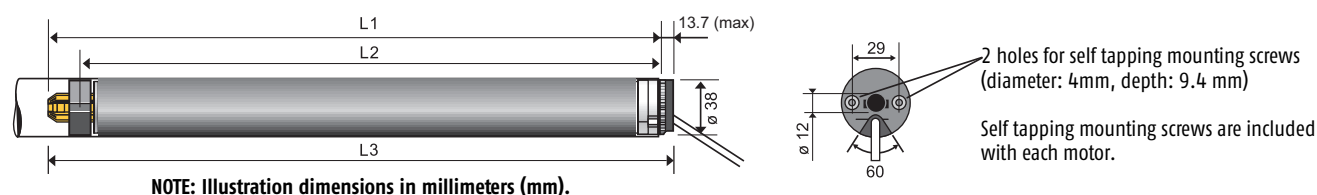
404S2 1020005
404R2 1021003
409R2 1023029
412R2 1024020



Technical features

Voltage Supply	120V AC	Limit Switch Capacity	40 Turns
Index protection rating	IP 44	Temperature working Range	14°F to 104°F (-10°C to 40°C)
Limit switch type	Progressive Adjustment (PA)	Insulation class	Class 1 for 120 V AC

Dimensions



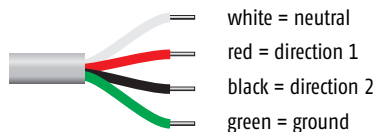
Dimensions	404S2	404R2	409R2	412R2
L1	17.0 in. (442 mm)	17.0 in. (442 mm)	17.0 in. (442 mm)	17.0 in. (442 mm)
L2	16.57 in. (421 mm)	16.57 in. (421 mm)	16.57 in. (421 mm)	16.57 in. (421 mm)
L3	18.03 in. (458 mm)	18.03 in. (458 mm)	18.03 in. (458 mm)	18.03 in. (458 mm)
Cable Length	6.5 ft. (2 m)			

Specifications

	404S2	404R2	409R2	412R2
Torque	4 Nm	4 Nm	9 Nm	12 Nm
Nominal Voltage	120 V / 60 Hz			
Rated Current	.95 A	.85 A	1.2 A	1.2 A
Speed	36 rpm	16 rpm	16 rpm	8 rpm
Thermal Protection	5 minutes			
Sound Level	59 dBA			

Type of power cable

Wired
120V AC / 60 Hz
4 conductor cable





404S2 1020105
409R2 1001643

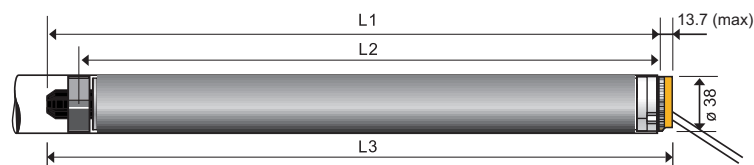


Radio Technology Somfy® (RTS) allows for wireless radio control of motorized window coverings via the RTS family of controls.

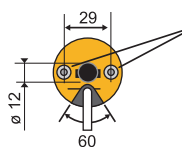
Technical features

Voltage Supply	120V AC	Limit Switch Capacity	250 Turns (limited to 3 minutes of rotation without stop)
Index protection rating	IP 44	Temperature working Range	14°F to 104°F (-10°C to 40°C)
Limit switch type	Electronic (RTS)	Insulation class	Class 1 for 120 V AC

Dimensions



NOTE: Illustration dimensions in millimeters (mm).



2 holes for self tapping mounting screws
(diameter: 4mm, depth: 9.4 mm)

Self tapping mounting screws are included with each motor.

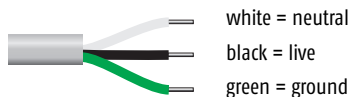
Dimensions	404S2	409R2
L1	19.57 in. (497 mm)	19.57 in. (497 mm)
L2	18.62 in. (473 mm)	18.62 in. (473 mm)
L3	20.08 in. (510 mm)	20.08 in. (510 mm)
Cable Length	23 ft. (7 m)	

Specifications

	404S2	409R2
Torque	4 Nm	9 Nm
Nominal Voltage	120 V / 60 Hz	
Rated Current	.95 A	1.15 A
Speed	36 rpm	16 rpm
Thermal Protection	5 minutes	
Radio Frequency	433.42 MHz	
Sound Level	59 dBA	

Type of power cable

RTS
120V AC / 60 Hz
 3 conductor cable



CONTROL ACCESSORIES

Learn more about controls and accessories and download RTS brochure at www.somfy.com/controls.

RADIO TECHNOLOGY SOMFY® (RTS)



TELIS COLLECTION



Telis 1 RTS Lounge
Single Channel Remote
1810650



Telis 4 RTS Lounge
Five Channel Remote
1810652



Telis 1 RTS Silver
Single Channel Remote
1810639



Telis 4 RTS Silver
Five Channel Remote
1810641



Telis 1 RTS Pure
Single Channel Remote
1810632



Telis 4 RTS Pure
Five Channel Remote
1810633



Telis 1 Soliris
RTS Pure
1810635



Telis 1 RTS Patio
Single Channel Remote
1810643



Telis 4 RTS Patio
Five Channel Remote
1810645



Telis 1 Soliris
RTS Patio
1810647



Telis 4 Soliris
RTS Patio
1811243



Telis 1 Modulis
RTS Pure with
Scroll Wheel
1811234



Telis 4 Modulis
RTS Pure with
Scroll Wheel
1811235



Telis 16 Channel RTS
Pure Remote with
On-screen display
1811081



Telis 16 Channel RTS
Silver Remote with
On-screen display
1811082



Telis 1 Chronis RTS
Pure Timer with
On-screen display
1805237



Telis 1 Chronis RTS
Silver Timer with
On-screen display
1805238

DECOFLEX WIREFREE™ WALL SWITCHES & TABLE TOP ACCESSORIES - Custom engraved buttons are now available



DecoFlex 1
Channel RTS
Wireless Wall Switch



DecoFlex 2
Channel RTS
Wireless Wall Switch



DecoFlex 3
Channel RTS
Wireless Wall Switch



DecoFlex 4
Channel RTS
Wireless Wall Switch



DecoFlex 5
Channel RTS
Wireless Wall Switch



DecoFlex Tabletop RTS
Accessory Black
1811051**

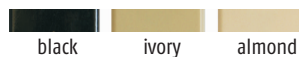


DecoFlex Tabletop RTS
Accessory Silver
1810972**



DecoFlex Tabletop RTS
Accessory White
1811185**

Wall Switches shown in white. Also available in black, ivory, and almond finishes. Shown above assembled with engraved channel buttons.



**DecoFlex Switch sold separately from Table Top Accessory

NOTE: Custom Engraved buttons are now available.

CONTROL ACCESSORIES



RADIO TECHNOLOGY SOMFY® (RTS)

ZRTSI II



Z-Wave® to RTS Interface II

1811265

myLink™



WiFi to RTS Interface

Control window coverings, awnings, screens and rolling shutters with a smartphone or tablet. A simple on-screen setup wizard helps users create timed events, scenes and more. Compatible with iOS and Android.

1811403

16 CHANNEL INTERFACE



Universal RTS Interface 16-Channel
(Converts IR, RS232, RS485 to RTS)

1810872

RTS REPEATER



RTS Repeater
1810791

OUTDOOR RECEIVERS



Outdoor Lighting Receiver
1810875

Universal RTS Receiver
1810627

DRY CONTACT INTERFACE



RTS Dry Contact Interface
Single Channel

1811403

SUNIS & THERMO SUNIS INDOOR SENSORS



Sunis Indoor
WireFree™ RTS
9013707



Thermo Sunis Indoor
WireFree™ RTS
9013708

EOLIS SENSOR



Eolis RTS Wind
Sensor 24V
9012499

SOLIRIS SENSOR



Soliris RTS Sun and
Wind Sensor 24V
9012500

Please visit www.somfysystems.com/controls for additional control information.

animeo® IP



animeo IP is a total solar management system utilizing Somfy-powered intelligent motorized window coverings as well as digital keypads and weather sensors. The system's controllers, sensors and keypads can be added to both new and existing Somfy Digital Network installations for comprehensive solar management as either a stand-alone solution or integrated into third party control systems.

An intuitive user interface allows for simplified commissioning, building management and technical support, featuring drag-and-drop programming, motor auto discovery and at-a-glance system status update.

Please visit www.somfysystems.com/animeo to learn more.



animeo® IP Building Controller
1822314

CONTROL ACCESSORIES

WIRED AC CONTROLS & SWITCHES



DECORATOR TOGGLE SWITCHES (single pole, double throw) & SWITCHPLATES



Maintained Toggle Switch
(White)
1800381



Maintained Toggle Switch
(Ivory)
1800380



Momentary Toggle Switch
(White)
1800383



Momentary Toggle Switch
(Ivory)
1800382



Standard Metal Toggle Switchplate
(White)
9011954



Standard Metal Toggle Switchplate
(Ivory)
9011953



Plastic Toggle Switchplate
(White)
9011963



Plastic Toggle Switchplate
(Ivory)
9011962

DECORATOR PADDLE SWITCHES & SWITCHPLATES



Maintained Paddle Switch
(White)
1800374



Maintained Paddle Switch
(Ivory)
1800373



Momentary Paddle Switch
(White)
1800378



Momentary Paddle Switch
(Ivory)
1800377



Maintained Double Pole,
Double Throw Paddle Switch
(White)
1800375



Maintained Double Pole,
Double Throw Paddle Switch
(Ivory)
1800376



Single Gang Paddle Switchplate
(White)
9011967



Single Gang Paddle Switchplate
(Ivory)
9011966

SPECIALTY SWITCH



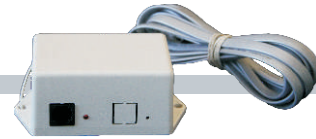
5 position Momentary/Maintained Rocker Switch
Switchplate included
(White)
1800388

WIRED AC CONTROLS & SWITCHES

GROUP CONTROL SYSTEM II (GCS II)

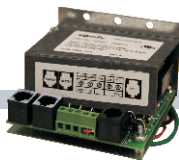


Group Control System II (GCS II)
1810476



GCS II RTS Radio Receiver
1810854

STANDARD INDIVIDUAL GROUP CONTROL (IGC) (110V AC)



IGC II
(Single Motor)
1810522



IGC 3N1
(3 Motors)
1810523

INDIVIDUAL GROUP CONTROL II (IGC II) (110V AC)



IGC II (Single Motor)
1810535



IGC II 3N1 (3 Motors)
1810536

IGC AND IGC II OPTIONS (110V AC)



IGC II Gang Electric Box
3.5" Deep
9013166

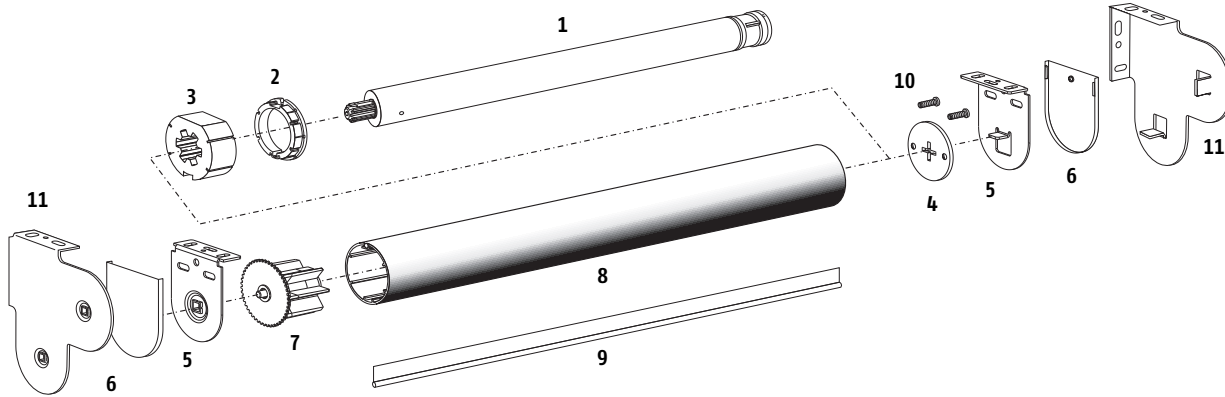


IGC RTS Radio Receiver
1810481

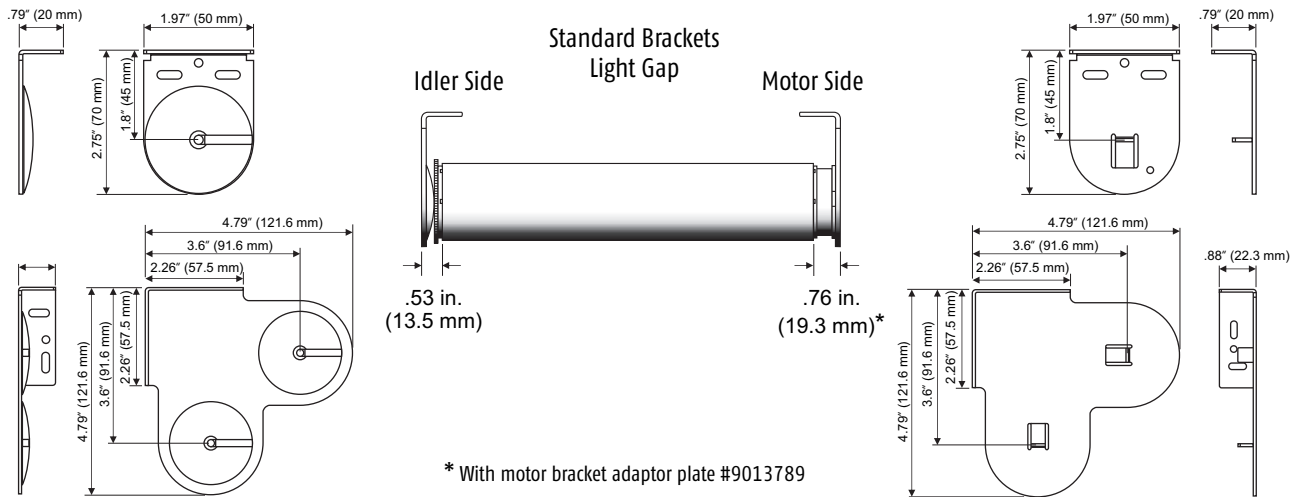
400 SERIES MECHANICAL ACCESSORIES

Acmeda® System

STANDARD BRACKET COMPONENTS



DIMENSIONS AND LIGHT GAP SPECIFICATIONS



PRODUCT CHART

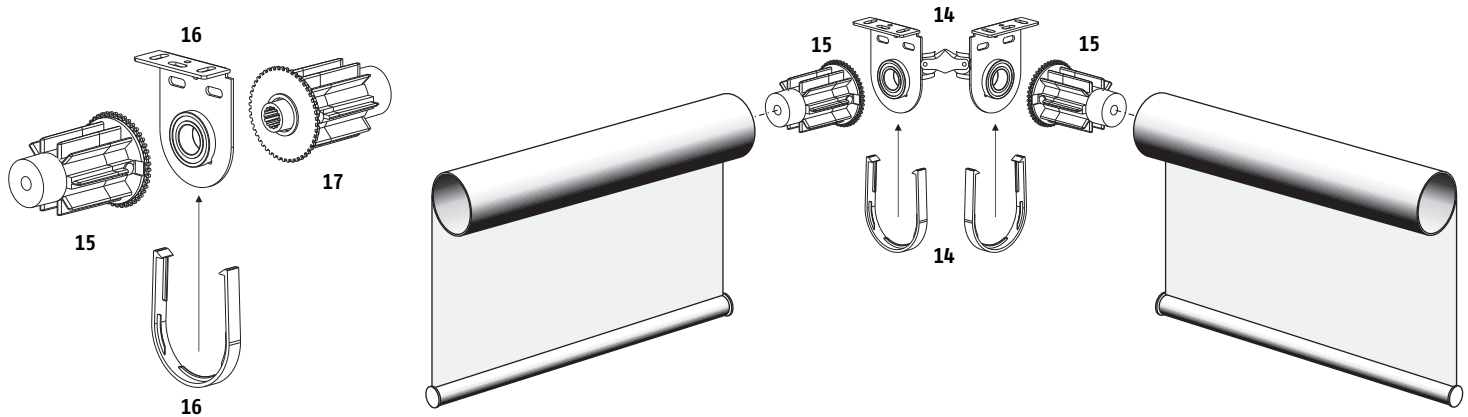
IMAGE	DESCRIPTION	CATALOG NUMBER
1	MOTOR (SONESSE® 40 SHOWN)	REFER TO INDIVIDUAL 400 SERIES SPEC SHEET
2	CROWN ADAPTOR 44 MM TUBE (ACMEDA® TYPE)	9013791
3	DRIVE WHEEL 44 MM (ACMEDA® TYPE)	9013790
4	MOTOR BRACKET ADAPTOR PLATE (ACMEDA® TYPE)	9013789
5	MOTOR & IDLER BRACKET KIT 4OP (ACMEDA® TYPE)	9013778
6	PLASTIC BRACKET COVER 4OP KIT (ACMEDA® TYPE)	9013780
7	IDLER END PLUG 44 MM TUBE (ACMEDA® TYPE)	9013774
8	44 M ALUMINUM TUBE (16 FT. MAX LENGTH)	1780688
9	TUBE SPLINE 44 MM TUBE (ACMEDA® TYPE)	1780687
10	M4 x 12 MM SCREWS	100405B
11	MOTOR BRACKET COMBO SET 122 MM x 122 MM	9013782

Please Note: For maximum torque limitations please refer to manufacturer's specifications.

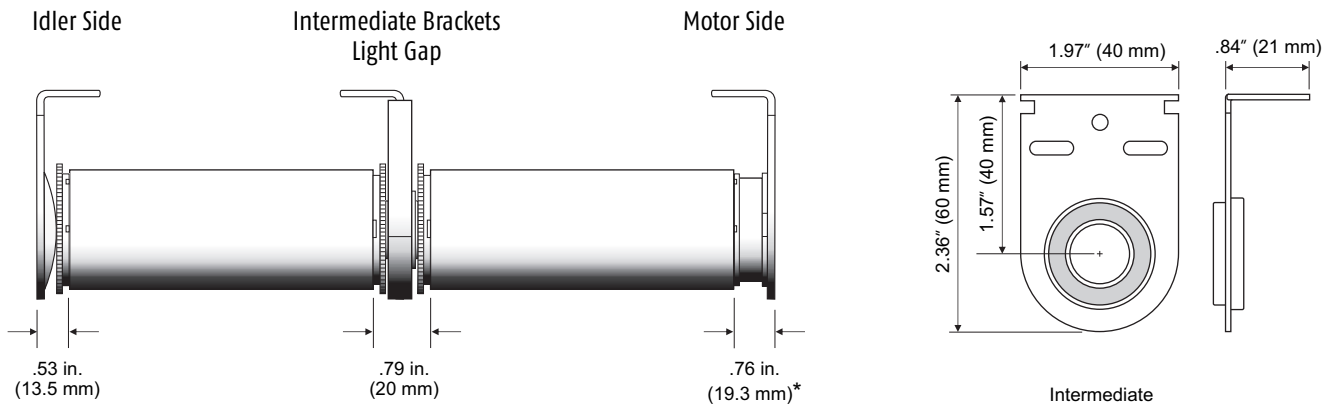
400 SERIES MECHANICAL ACCESSORIES

Acmeda® System

INTERMEDIATE BRACKET COMPONENTS



DIMENSIONS AND LIGHT GAP SPECIFICATIONS



* With motor bracket adaptor plate #9013789

PRODUCT CHART

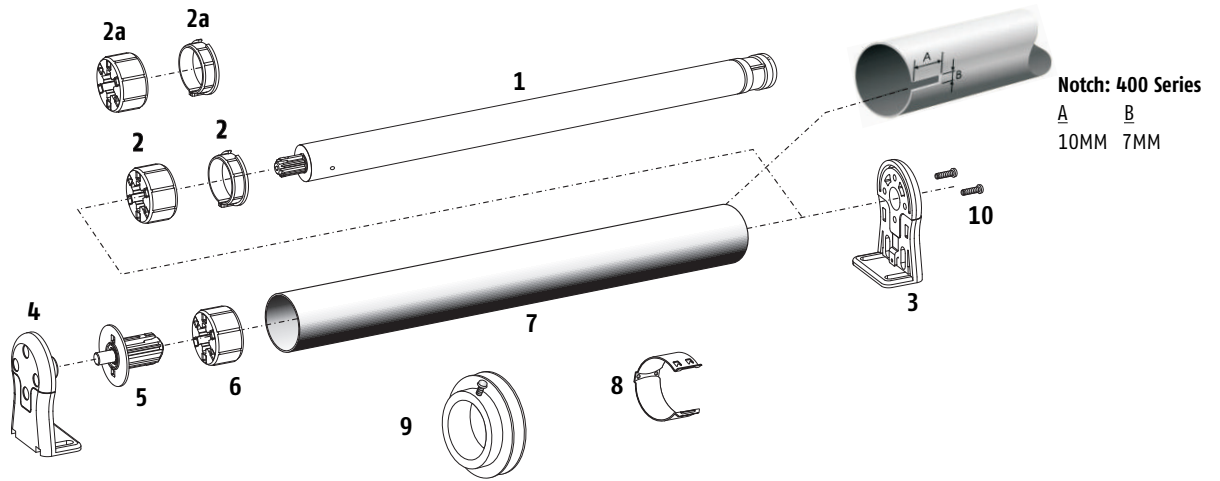
IMAGE	DESCRIPTION	CATALOG NUMBER
14	INTERMEDIATE BRACKET & COVER KIT 40P, 0-90 DEGREES (ACMEDA® TYPE)	9013787
15	INTERMEDIATE MALE IDLER END PLUG (ACMEDA® TYPE)	9013786
16	INTERMEDIATE BRACKET & COVER KIT 40P (ACMEDA® TYPE)	9013783
17	INTERMEDIATE FEMALE IDLER END PLUG (ACMEDA® TYPE)	9013785

Please Note: For maximum torque limitations please refer to manufacturer's specifications.

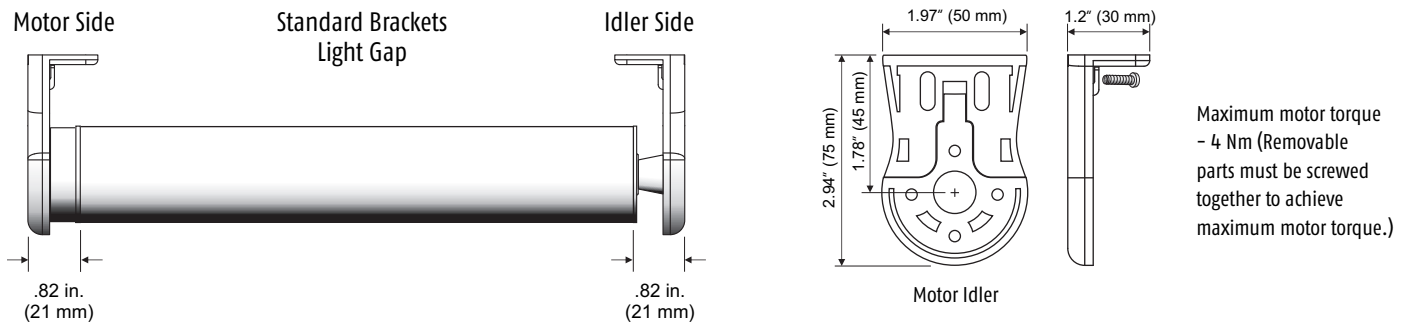
400 SERIES MECHANICAL ACCESSORIES

Somfy Decorator Type

STANDARD BRACKET COMPONENTS



DIMENSIONS AND LIGHT GAP SPECIFICATIONS



PRODUCT CHART

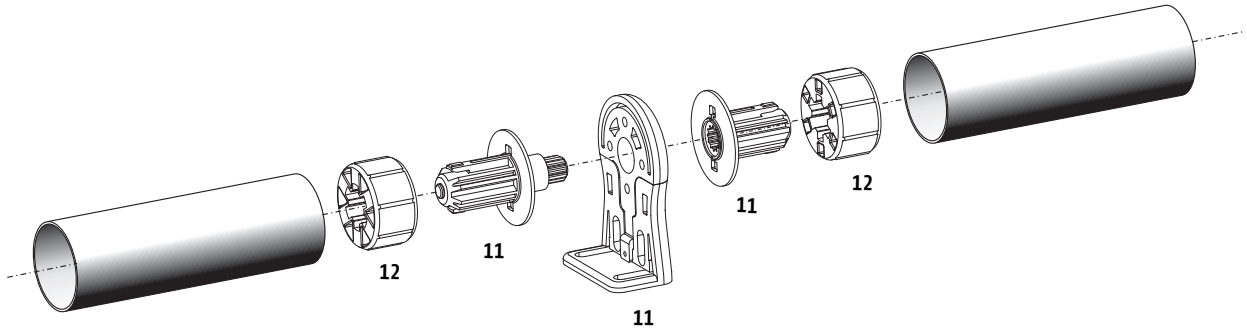
IMAGE	DESCRIPTION	CATALOG NUMBER
1	MOTOR (SONESSE® 40 SHOWN)	REFER TO INDIVIDUAL 400 SERIES SPEC SHEET
2	CROWN AND DRIVE (SOMFY 40 MM x 1.5 MM ROUND TUBE)	9012224
2a	CROWN AND RUBBERIZED DRIVE (SOMFY 40 MM x 1.5 MM ROUND TUBE)	9016654
3	MOTOR BRACKET (DECORATOR TYPE)*	9500683
4	IDLER END BRACKET (DECORATOR TYPE)*	9500685
5	IDLER END PLUG (8 MM DIA. PIN-DECORATOR TYPE)	9500688
6	40 MM ROUND DRIVE ONLY (FOR USE WITH IDLER END PLUG)	9147544
7	SOMFY 40 MM ROUND TUBE (20 FT. MAX LENGTH)	1781153
8	CORD CLIPS FOR ROMAN SHADE APPLICATIONS	9012200
9	CORD TAKE-UP REEL (40 MM TUBE)	1781152
10	M4 x 12 MM SCREWS	1004058

*Maximum motor torque - 4 Nm. (Removable parts must be screwed together to achieve maximum motor torque.)

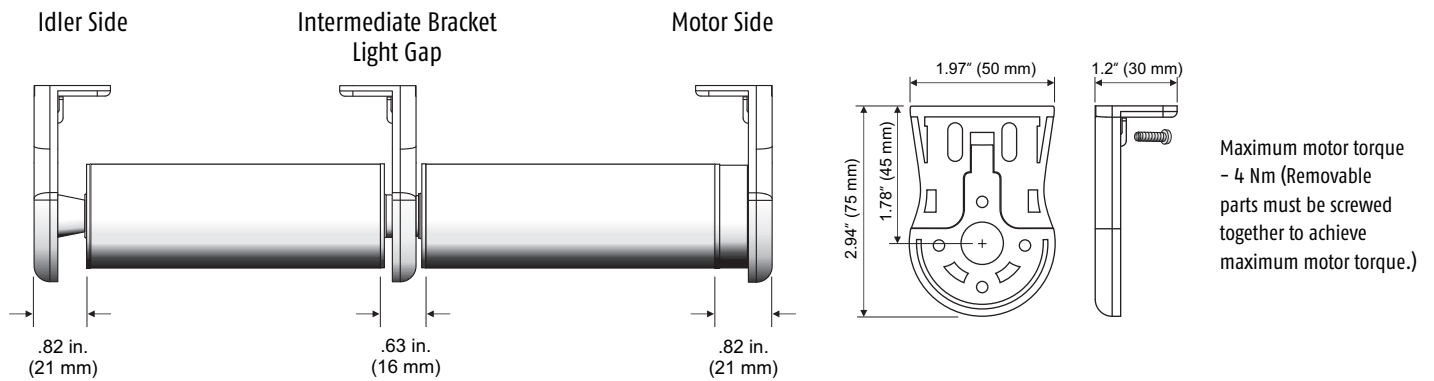
400 SERIES MECHANICAL ACCESSORIES

Somfy Decorator Type

INTERMEDIATE BRACKET COMPONENTS



DIMENSIONS AND LIGHT GAP SPECIFICATIONS



PRODUCT CHART

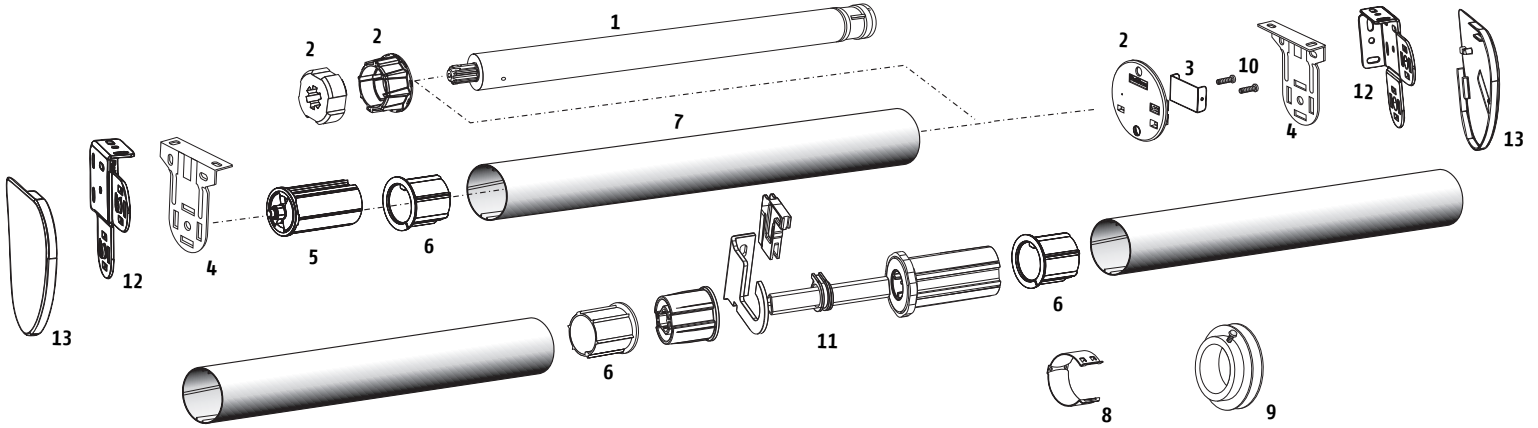
IMAGE	DESCRIPTION	CATALOG NUMBER
11	INTERMEDIATE BRACKET KIT (DECORATOR TYPE)*	9500687
12	40 MM ROUND DRIVE ONLY (FOR USE WITH INT. BRACKET)	9147544

*Maximum motor torque - 4Nm (Removable parts must be screwed together to achieve maximum motor torque.)

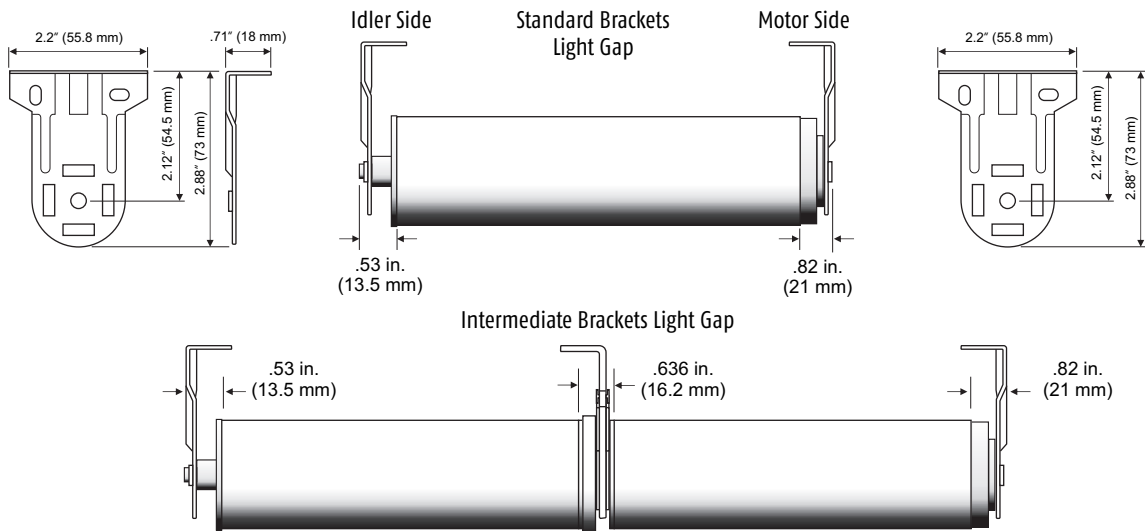
400 SERIES MECHANICAL ACCESSORIES

RollEase® Skyline

STANDARD BRACKET COMPONENTS



DIMENSIONS AND LIGHT GAP SPECIFICATIONS



PRODUCT CHART

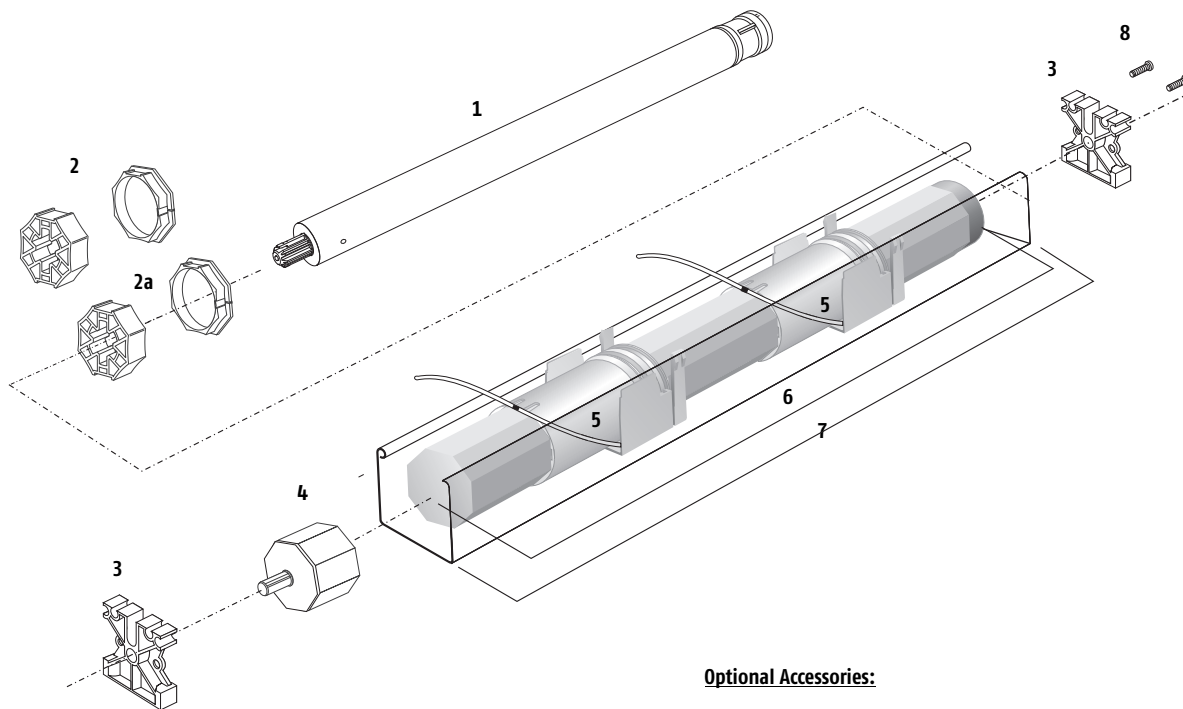
IMAGE	DESCRIPTION	CATALOG NUMBER
1	MOTOR (SONESSE® 40 SHOWN)	REFER TO INDIVIDUAL 400 SERIES SPEC SHEET
2	CROWN AND DRIVE WITH SKYLINE MOTOR MOUNT PLATE FOR ROLLEASE® 2" TUBE	9016352
3	MOTOR MOUNT CLIP	9017255
4	ROLLEASE® SKYLINE SERIES BRACKETS 2"	9016325
5	ROLLEASE® SKYLINE SERIES IDLER END PLUG	5059165
6	IDLER ADAPTOR COLLAR 2" PROFILE TUBE	9016366
7	ROLLEASE® 2" TUBE	1781798
8	CORD CLIPS FOR ROMAN SHADE APPLICATIONS 2" TUBE	9138028
9	TAKE-UP REEL - ROLLEASE 2" TUBE	1781151
10	M4 x 12 MM SCREWS	100405B
11	ROLLEASE® SKYLINE SERIES INTERMEDIATE LINK SYSTEM	9016367
12	ROLLEASE® DOUBLE BRACKET	9016616
13	ROLLEASE® DOUBLE BRACKET COVERS	9017267

Please Note: For maximum torque limitations please refer to manufacturer's specifications.

400 SERIES MECHANICAL ACCESSORIES

Somfy CTS 40

CORD TAKE-UP SYSTEM (CTS)



Optional Accessories:



- 1781134 - 2" Slat Clips for Wood Blinds (White)
- 1781135 - 2" Slat Clips for Wood Blinds (Ivory)
- 1781136 - 2" Slat Clips for Wood Blinds (Brown)



1781133 - Ladder Crimp

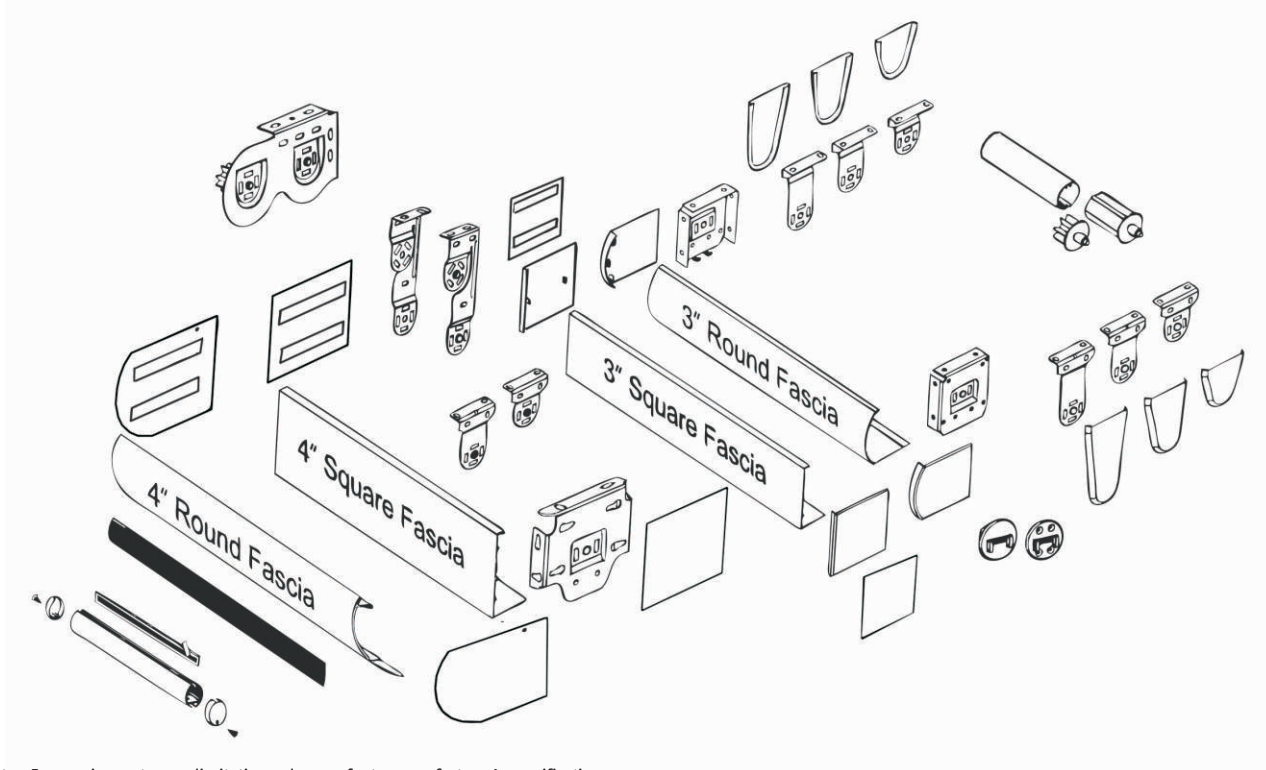
PRODUCT CHART

IMAGE	DESCRIPTION	CATALOG NUMBER
1	MOTOR (SONESSE® 40 SHOWN)	REFER TO INDIVIDUAL 400 SERIES SPEC SHEET
2	CROWN AND DRIVE KIT (40 MM OCTAGONAL TUBE)	9012225
2a	CROWN AND RUBBERIZED DRIVE KIT (40 MM OCTAGONAL TUBE)	9016655
3	MOTOR / IDLER BRACKET (FOR 57 MM x 51 MM HEADRAIL)	9500736
4	IDLER END PLUG FOR 40 MM OCTAGONAL TUBE	9012274
5	CTS 40 (FOR 57 MM x 41 MM HEADRAIL)	1781118
6	SOMFY 40 MM OCTAGONAL TUBE (20 FT. MAX LENGTH)	1781154
7	57 MM x 51 MM (2" x 2 1/4") GUTTER RAIL OR SIMILAR	CONTACT MANUFACTURER
8	M4 x 12 MM SCREWS	100405B

BRACKET, FASCIA, AND CASSETTE SOLUTIONS

RollEase®

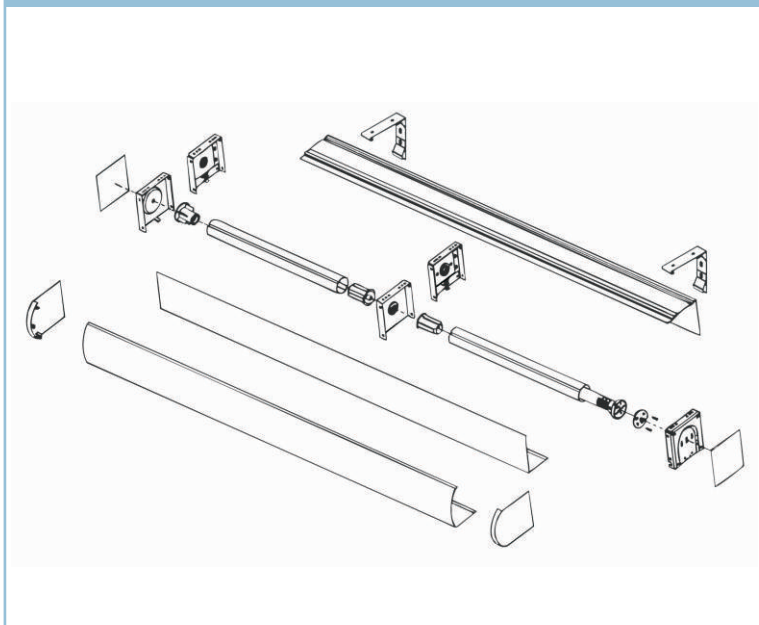
SKYLINE™ BRACKET AND FASCIA ACCESSORIES



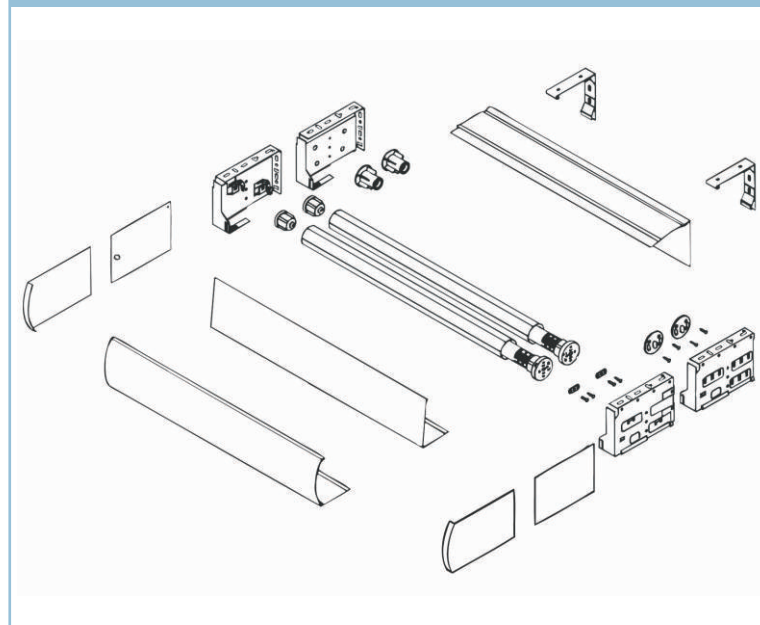
Please Note: For maximum torque limitations please refer to manufacturer's specifications

BRACKET, FASCIA, AND CASSETTE SOLUTIONS > ZMC®

INTERMEDIATE BRACKET SOLUTIONS



DUO SHADE FASCIA COMPONENTS



Please Note: For maximum torque limitations please refer to manufacturer's specifications

400 SERIES MECHANICAL ACCESSORIES

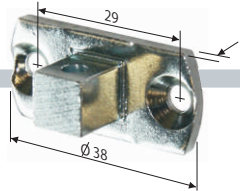
400 SERIES

400 SERIES to 500 SERIES Adaptor Kit



- Allows the use of 500 Series crowns and drives with 400 Series motors
- Black composite
- Maximum motor torque - 13 Nm
- Part # 9013763**

400 Series "LO" Bracket w/ a Square Stud



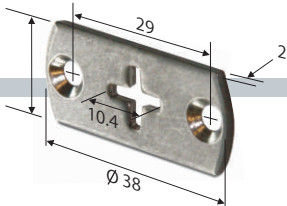
- Motor mounting screws included
- 10 mm square stud
- Zinc plated steel
- Maximum motor torque 13 Nm
- Part # 9147334**

400 Series Drive Stop w/ Screw



- Prevents drive disengagement from 400 series motor shaft
- 1 screw included
- Part # 9147894***

400 SERIES MOTOR BRACKET



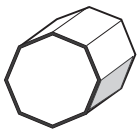
- Compatible with RollEase Bracket
- Stainless steel
- Maximum motor torque - 4 Nm
- Part # 9012258**

400 SERIES to 500 SERIES MOUNTING CONVERSION BRACKET



- Black composite
- Allows 400 Series motors to be used w/ 500 Series Star Head motor brackets
- Maximum motor torque - 9 Nm
- 2 screws included
- Part # 9500659**

CROWNS AND DRIVES



400 Series Crown for 40 x 0.8 mm Octagonal Tube
Part # 9147327

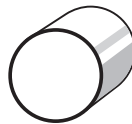


400 Series Drive for 40 x 0.8 mm Octagonal Tube
Part # 9147545

400 Series 40 mm Octagonal Set
Part # 9012225



NEW 400 Series Crown and Rubberized Drive for 40 mm Octagonal Tube
Part # 9016655*



400 Series Crown for 40 x 1.5 mm Round Tube
Part # 9147330

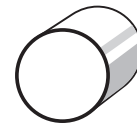


400 Series Drive for 40 x 1.5 mm Round Tube
Part # 9147544

400 Series 40 mm Round Set
Part # 9012224



NEW 400 Series Crown and Rubberized Drive for 40 mm x 1.5 mm Round Tube
Part # 9016654*



400 Series Crown for 40 x 1.0 mm Round Tube
Part # 9132143



400 Series Drive for 40 x 1.0 mm Round Tube
Part # 9132142

*Due to material composition it is recommended to apply a silicon-based lubricant to drive adaptor surface prior to motorized roller tube assembly. 400 Series drive stop with screw (part #9147894) should also be used to prevent drive disengagement during installation or removal.

**SOMFY SYSTEMS INC
SOMFY NORTH AMERICAN HEADQUARTERS**

121 Herrod Blvd.
Dayton, NJ 08810
P: (800) 22-SOMFY (76639)
NJ: (609) 395-1300
F: (609) 395-1776

FLORIDA

6100 Broken Sound Pkwy. N.W.
Suite 14
Boca Raton, FL 33487
P: (800) 22-SOMFY (76639)
F: (561) 995-7502

CALIFORNIA

15291 Barranca Parkway
Irvine, CA 92618-2201
P: (800) 22-SOMFY (76639)
F: (949) 727-3775

SOMFY ULC

SOMFY Canada Division
5178 Everest Drive
Mississauga, Ontario L4W2R4
P: 1-800-66-SOMFY (76639)
CN: (905) 564-6446
F: (905) 238-1491