

WireFree™

Databook



Roll Up WireFree™ R28 RTS



Tilt 50 WireFree™ RTS



CordLift WireFree™ CL32 RTS

Why Somfy?



Somfy is the leading global manufacturer of strong, quiet, motors with electronic and app controls for interior and exterior window coverings. Over 270 million users worldwide enjoy the more than 150 million motors produced since 1980. For more than four decades, Somfy engineers have designed products for both the commercial and residential markets to motorize window coverings such as interior shades, wood blinds, draperies, awnings, rolling shutters, exterior solar screens and projection screens. Somfy motorization systems are easily integrated with security, HVAC and lighting systems, providing total home or building automation.

Somfy has a committed customer support team comprised of Somfy motor and control specialists available for assistance:

Somfy Corporate Headquarters
800-22-SOMFY (76639)

General Customer Service
877-210-5327
CustomerService_us@somfy.com

Standard Purchase Order
Ordering_us@somfy.com

Rush Purchase Order
ExpeditedShippingOrders_us@somfy.com

Accounting Inquiries
AccountsReceivable@somfy.com

Technical Support
877-233-0019
TechnicalSupport_us@somfy.com

Warranty Claim Requests
us_Return@somfy.com

- Somfy has a production capacity of more than 70,000 motors per day.
- Somfy motors have over 600 standards approvals worldwide.
- Somfy has certified over 100 patents since the year 2000.
- Every Somfy motor goes through an extensive quality assurance process including testing in extreme environmental conditions, for electrostatic discharge, mechanical shock, and high life cycle.
- Somfy has a network of 15,000 trained professional installers throughout the world.



Somfy operates in 60 countries, with 76 subsidiaries, and 60 agencies spread across 5 continents. With 8 production centers, Somfy is an efficient and reactive industry leader. Thanks to its strict quality standards, Somfy is able to satisfy the needs of over 270 million users worldwide.



Somfy understands that training and support are critical to success. Somfy's Expert Program provides a platform for those who want to enhance their expertise of motorization and control solutions. Visit www.somfysystems.com/expert-program to learn more.

TABLE OF CONTENTS

INTRODUCTION	3
---------------------------	----------

MOTOR SPECIFICATIONS AND HARDWARE SYSTEMS

Cord Lift WireFree™ CL32 RTS Motor Specifications	4
Cord Lift WireFree™ CL32 RTS Hardware Systems	5
Roll Up WireFree™ R28 RTS Motor Specifications	6
Roll Up WireFree™ R28 RTS Hardware Systems	
RollEase® R-Series System and ZMC XR-Series System	7
RollEase® Skyline System and ZMC XL-Series System	8
Louvolute® System and ZMC RS-Series System	9
Roll Up WireFree™ R28 RTS Crowns and Drives	10
Tilt 50 WireFree™ Motor Specifications	11
Tilt 50 WireFree™ Hardware Systems	12

CONTROL ACCESSORIES

Radio Technology Somfy® RTS	13, 14
-----------------------------------	--------

POWER ACCESSORIES

Solar Pack and Accessories	15
Batteries and Accessories	15
Transformers and Accessories	15

DECOFLEX BUTTON ENGRAVING ORDER FORM

16

RollEase® is a registered trademark of RollEase®, Inc. - Stamford, CT.

Louvolute® is a registered trademark of Louver-lite Limited.

Hunter Douglas® is a registered trademark of Hunter Douglas Industries Switzerland GMBH Corporation- Luzern, Switzerland.

Comfortex® is a registered trademark of Comfortex Corporation - New York, NY.

RadioRA® 2, HomeWorks® QS, GRAFIK Eye® QS, and Quantum® are a registered trademark of Lutron Electronics Inc.

Energizer® is a registered trademark of Energizer Battery Company, Inc.

Z-Wave® is a registered trademark of Zensys, Inc. and its subsidiaries.

ZigBee® is a registered trademark of ZigBee Alliance.

Conveniently WireFree

This document is a presentation of the accessories and specifications related to the WireFree motor range. It provides the technical information needed to order, fabricate, and sell battery-powered motors. For additional information regarding any of the products in this document including motors, power sources, controls, interfaces etc., please visit www.somfysystems.com/wirefree.

Somfy offers an innovative and simple line of completely battery-powered WireFree motors. These motors install in minutes and provide a perfect solution for hard-to-reach window coverings and offer solutions in areas where access to wiring may be a challenge. This allows users to create the best living environment with optimal natural light levels at the press of a button without the need for an electrician. The WireFree motors are available with a variety of power and control options and easily integrate with home automation systems.



Radio Technology Somfy® (RTS) allows wireless radio control of motorized window coverings via the RTS family of controls.

- Hand-held, wall switch, table top and app controls
- Automatic timer and sun controls
- Easily integrates with third-party control systems

Solar/Roller Shades



Sheer Horizontal Shades



Roman/Woven Shades



Pleated/Cellular Shades



Horizontal Blinds



As with all Somfy products, the WireFree motors are backed by a 5 year warranty.

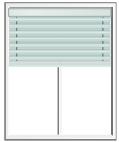
Cord Lift WireFree™ CL32 RTS

Part # 1002422

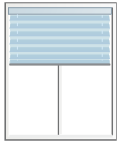


Offers control via Radio Technology Somfy® (RTS)

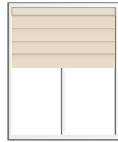
Applications



Cellular Shades



Pleated Shades



Roman Shades



Technical Features

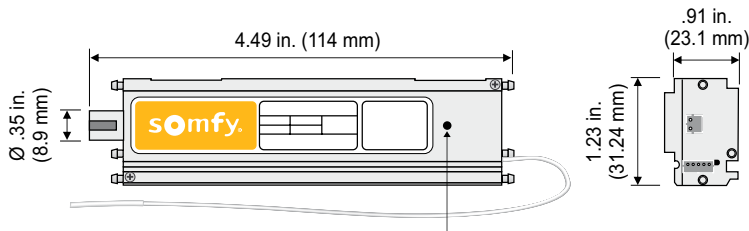
Voltage Supply	DC
Index Protection Rating	IP 30
Limit Switch Type	Electronic
Limit Switch Capacity	180 Turns

Temperature Working Range 32°F to 140°F (0°C to 60°C)

Insulation Class Class III

Antenna RF antenna wire must be positioned outside of headrail and should not come in contact with metal surfaces for greatest RF range. RF wire may need to be repositioned for optimal performance. Antenna wire must not be cut.

Dimensions - in. (mm)

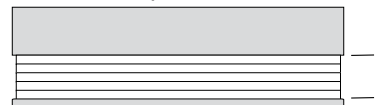


Reset and programming tool (#9013291) is no longer required or operational.

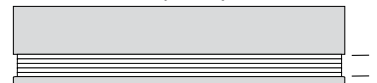
Fabrication Recommendations

- Do not compress fabric into headrail when setting upper limit. Bottom bar should be 1/4" lower than fully compressed position and should move freely once shade position is set.

Shade compressed less 1/4"



Shade fully compressed



- Somfy requires Energizer® Lithium batteries #L91 that provide patented safety protection.



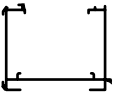



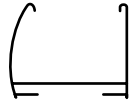

Performances

Cord Lift WireFree™ CL32 RTS

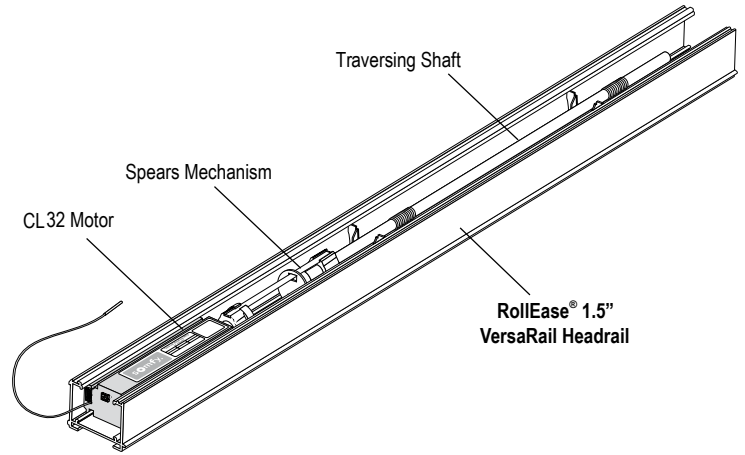
Voltage	12V DC
Torque	0.34 Nm
Thermal Protection	2.5 minutes
Over Current Protection	1.2 amps
Sound Level	53 dBA
Speed	68 rpm
Radio Frequency for RTS	433.42 MHZ

Cord Lift WireFree™ CL32 RTS Hardware Systems and Accessories

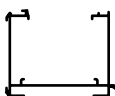
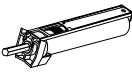










CL32 Traversing Shaft Systems

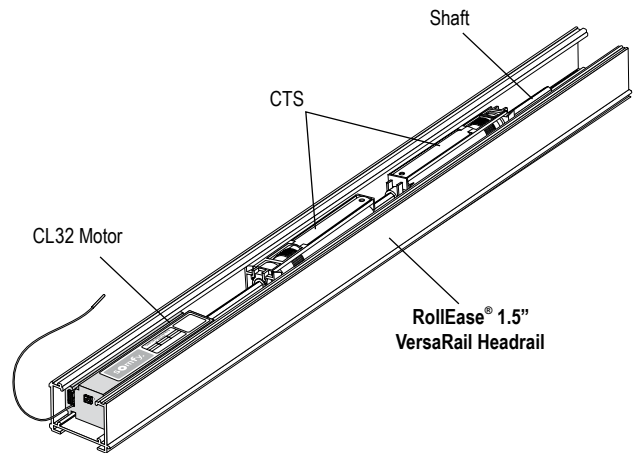
SYSTEM TYPE	HEADRAIL PROFILE	HEADRAIL ADAPTORS	SHAFT ADAPTOR
Rollease® 1.5" VersaRail		Not Required	 9013283
*Graber®/Bali® EasyUp		 9013288	Available through Springs Window Fashions only
*Levolor/Kirsch Accordia (cord loop)		Available through Kirsch/Levolor only	 9013283

*Contact your local distributor/retailer for complete products.

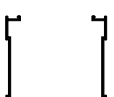




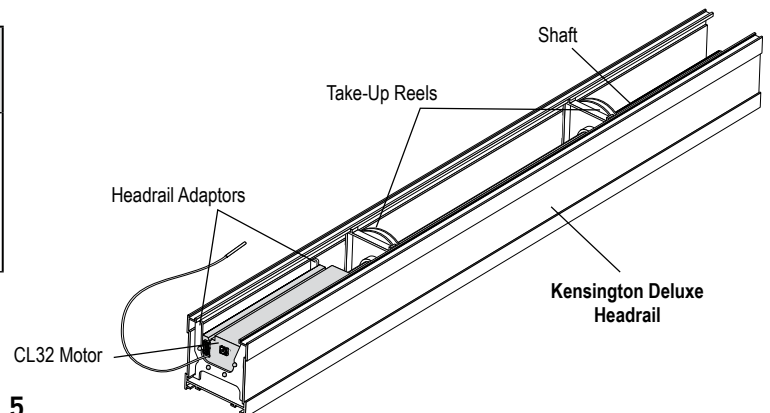
CL32 (CTS) Cone Systems

SYSTEM TYPE	HEADRAIL PROFILE	HEADRAIL ADAPTORS	CTS (Cord Take-Up)	SHAFT TYPE	SHAFT ADAPTOR
Rollease® 1.5" VersaRail		Not Required	 Somfy CTS 5mm Hex	 5mm Hex	 9012105
Comfortex/ Turnils Global Headrail		 9015900	Available through Comfortex/ Turnils	 "V" Notch	 9015899
Blinds to Go (Smartlift) HT Window Fashions (Clutch)		 9017148	Available through Blinds To Go & HT Window Fashions	 4mm Square	 9013269



CL32 (CTS) Take-up Reel Systems

SYSTEM TYPE	HEADRAIL PROFILE	HEADRAIL ADAPTORS	SHAFT ADAPTOR
Kensington Deluxe		 9013443	 9013284



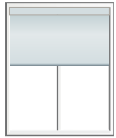
Roll Up WireFree™ R28 RTS

Part # 1002481

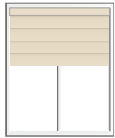


Offers control via Radio Technology Somfy® (RTS)

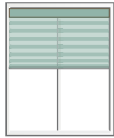
Applications



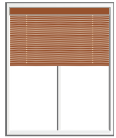
Roller/Solar Shades



Roman Shades



Sheer Horizontals



Woven Wood Shades



Technical Features

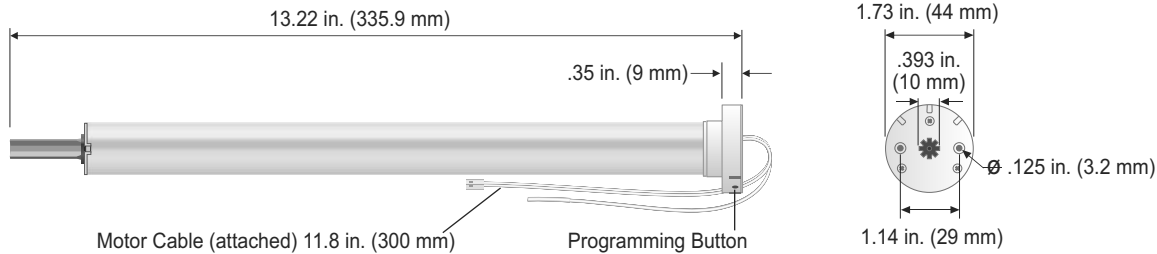
Voltage Supply	DC
Index Protection Rating	IP 20
Limit Switch Type	Electronic
Limit Switch Capacity	110 Turns

Temperature Working Range 32°F to 140°F (0°C to 60°C)

Insulation Class Class III

Antenna RF antenna wire must be exposed and should not come in contact with metal surfaces for greatest RF range. RF wire may need to be repositioned for optimal performance. RF Antenna wire must not be cut.

Dimensions - in. (mm)



Performances

Roll Up WireFree™ R28 RTS

Voltage	12V DC
Torque	1.1 Nm
Thermal Protection	2.5 minutes
Over Current Protection	2 amps
*Sound Level	48 dBA - 56dBA
Speed	28 rpm
Radio Frequency for RTS	433.42 MHZ

Fabrication Recommendations

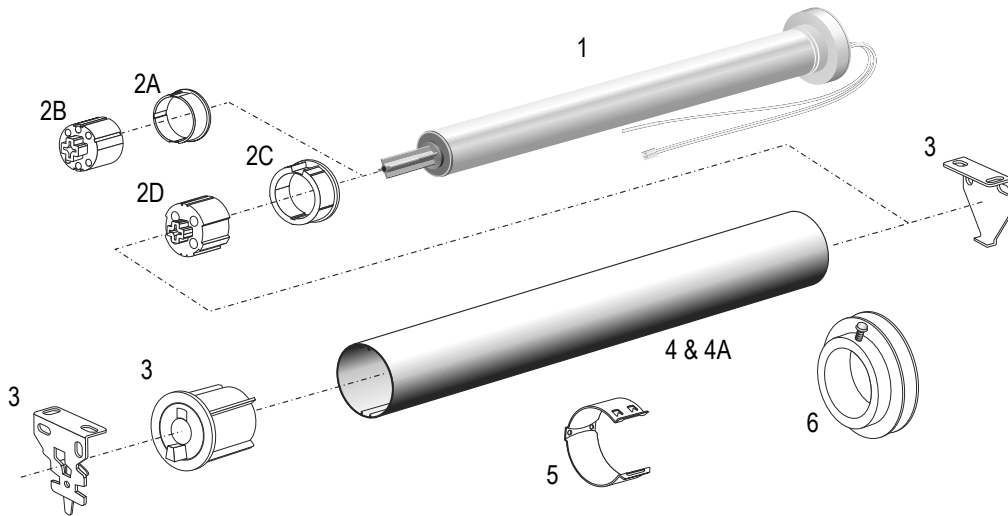
- Minimum roller tube inside diameter is 26.6 mm.
- Aluminum or steel tubes can be used.
- Somfy requires Energizer® Lithium batteries #L91 that provide patented safety protection.



* According to standards ISO 3741 NF 31022 in dB(A) ref. IOW

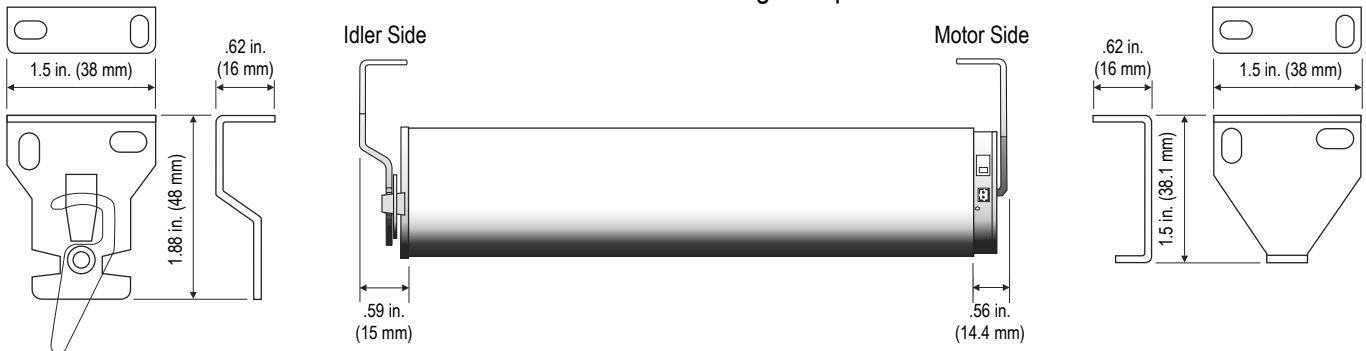
Roll Up WireFree™ R28 RTS Hardware Systems RollEase® R-Series & ZMC XR-Series

STANDARD BRACKET COMPONENTS



DIMENSIONS AND LIGHT GAP SPECIFICATIONS

Standard Brackets Light Gap

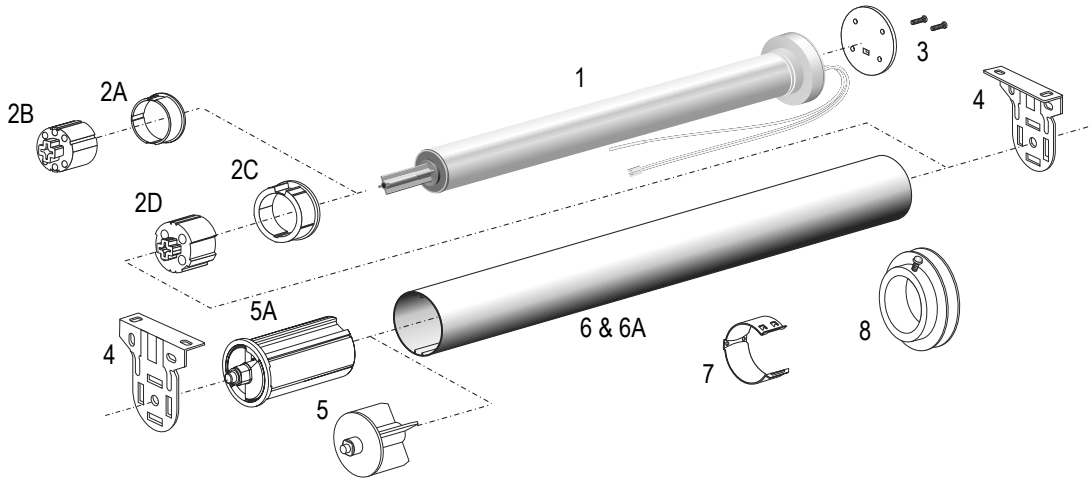


PRODUCT CHART

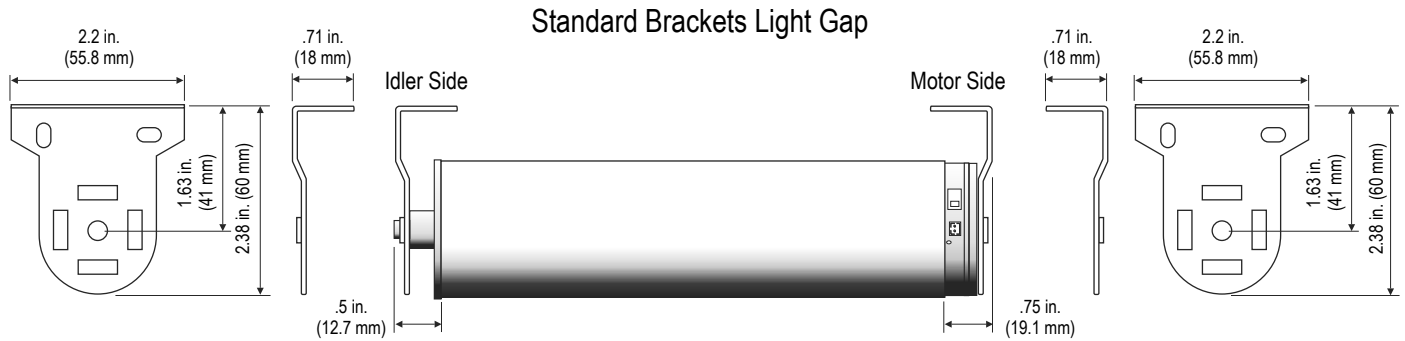
IMAGE	DESCRIPTION	CATALOG NUMBER
1	ROLL UP WIREFREE™ R28 RTS	1002481
2A	CROWN (FOR ROLLEASE® 1.25" TUBE)	9018474
2B	DRIVE (FOR ROLLEASE® 1.25" TUBE)	9018476
2C	CROWN (FOR ROLLEASE® 1.5" TUBE)	9018475
2D	DRIVE (FOR ROLLEASE® 1.5" TUBE)	9018477
3	ROLLEASE® 1.5" PROJECTION BRACKET KIT R8 SERIES & ZMC 1.5" PROJECTION XR-SERIES BRACKETS	Contact Somfy/ZMC
4	ROLLEASE® 1.25" TUBE & ZMC 1.25" Z-TUBE	Contact Somfy/ZMC
4A	ROLLEASE® 1.5" TUBE	9017913
4A	ZMC 1.5" Z-TUBE	Contact ZMC
5	CORD CLIPS (FOR ROLLEASE® 1.5" TUBE & ZMC 1.5" Z-TUBE)	9012200
6	TAKE-UP REEL (FOR ROLLEASE® 1.5" TUBE & ZMC 1.5" Z-TUBE)	1780786

Roll Up WireFree™ R28 RTS Hardware Systems RollEase® Skyline & ZMC XL-Series

STANDARD BRACKET COMPONENTS



DIMENSIONS AND LIGHT GAP SPECIFICATIONS

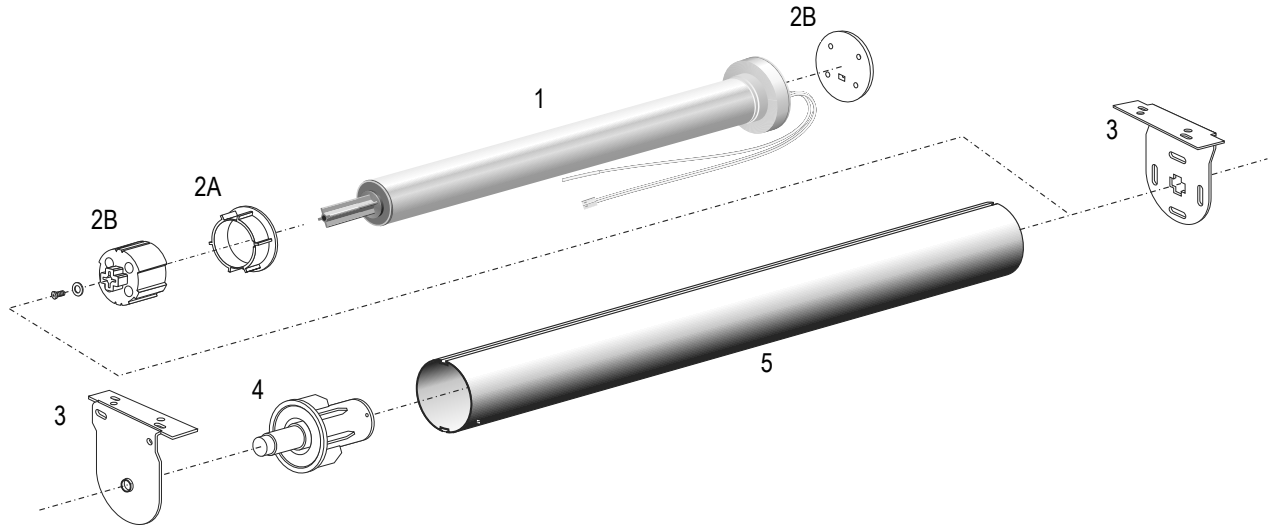


PRODUCT CHART

IMAGE	DESCRIPTION	CATALOG NUMBER
1	ROLL UP WIREFREE™ R28 RTS	1002481
2A	CROWN (FOR ROLLEAZE® 1.25" TUBE & ZMC 1.25" Z-TUBE)	9018474
2B	DRIVE (FOR ROLLEAZE® 1.25" TUBE & ZMC 1.25" Z-TUBE)	9018476
2C	CROWN (FOR ROLLEAZE® 1.5" TUBE & ZMC 1.5" Z-TUBE)	9018475
2D	DRIVE (FOR ROLLEAZE® 1.5" TUBE & ZMC 1.5" Z-TUBE)	9018477
3	MOTOR ADAPTOR PLATE FOR ROLLEAZE® SKYLINE BRACKETS W/SCREWS & ZMC XL BRACKET	9016378
4	SKYLINE SERIES BRACKETS 1.5" PROJECTION (ROLLEAZE®) (2 REQUIRED)	9017910
4	XL-SERIES BRACKETS 1.5" PROJECTION (ZMC) (1 PAIR REQUIRED)	Contact ZMC
5	SKYLINE SERIES IDLER END PLUG (FOR ROLLEAZE® 1.25" TUBE)	Contact Somfy
5A	SKYLINE SERIES HEAVY DUTY IDLER END PLUG (FOR ROLLEAZE® 1.5" TUBE)	9017912
5A	XL-SERIES IDLE END (FOR ZMC 1.25" Z-TUBE)	Contact ZMC
6	ROLLEAZE® STYLE 1.25" TUBE & ZMC 1.25" Z-TUBE	Contact Somfy/ZMC
6A	ROLLEAZE® STYLE 1.5" TUBE	9017913
6A	ZMC 1.5" Z-TUBE	Contact ZMC
7	CORD CLIPS (FOR ROLLEAZE® 1.5" TUBE & ZMC 1.5" Z-TUBE)	9012200
8	TAKE-UP REEL (FOR ROLLEAZE® 1.5" TUBE & ZMC 1.5" Z-TUBE)	1780786

Roll Up WireFree™ R28 RTS Hardware Systems Louvolite® System 40 & ZMC RS-Series

STANDARD BRACKET COMPONENTS



DIMENSIONS AND LIGHT GAP SPECIFICATIONS

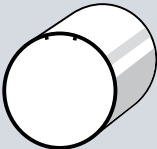

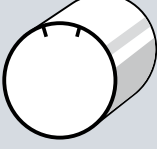

Standard Brackets Light Gap

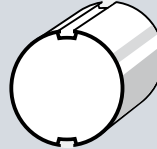

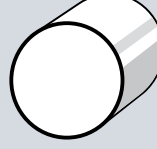



PRODUCT CHART

IMAGE	DESCRIPTION	CATALOG NUMBER
1	ROLL UP WIREFREE™ R28 RTS	1002481
2A	CROWN (FOR LOUVOLITE 1 5/8" TUBE & ZMC 1.5" RS-TUBE)	9018588
2B	DRIVE (FOR LOUVOLITE 1 5/8" TUBE & ZMC 1.5" RS-TUBE) INCLUDES MOTOR ADAPTOR PLATE	9018598
3	MOTOR & IDLER BRACKET KIT (FOR LOUVOLITE® STYLE SYSTEM 40 & ZMC RS-SERIES)	9013715
4	COLLAPSIBLE END PLUG (FOR LOUVOLITE® STYLE SYSTEM 40 & ZMC RS-SERIES)	9013716
5	LOUVOLITE® STYLE 40 MM TUBE & ZMC 1.5" RS-TUBE	Contact Somfy/ZMC

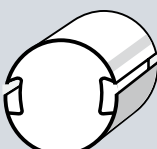

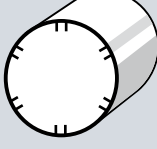

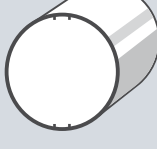

Roll Up WireFree™ R28 RTS Crowns & Drives

 <p>ø 1.25 in. / 32 mm RollEase®</p>	 <p>Crown #9018474</p> <p>Drive #9018476</p> <p>RollEase® 1.25" Tube</p>
 <p>ø 1.5 in. / 38 mm RollEase®</p>	 <p>Crown #9018475</p> <p>Drive #9018477</p> <p>RollEase® 1.5" Tube</p>

 <p>ø 1.625 in. / 41.28 mm Louvolite® System 40</p>	 <p>Crown #9018588</p> <p>Drive #9018598</p> <p>Louvolite® 1.625" Tube</p>
 <p>ø 1.05 in. / 26.6 mm ID Round Tube (Standard)</p>	 <p>Crown (Supplied with motor)</p> <p>Drive #9018478</p>

SPECIALTY APPLICATIONS - Crown and drives may not be suitable for all applications.

NOTE: Please confirm manufacturers current tube profile corresponds to illustrations shown.

 <p>Silhouette® Hunter Douglas</p>	 <p>Crown #9018590</p> <p>Drive #9018600</p> <p>Silhouette® (post March '04)</p>
 <p>Shangri-La / Vienna Comfortex® / Turnils</p>	 <p>Crown #9018587</p> <p>Drive #9018597</p> <p>Shangri-La® / Vienna Tube</p>
 <p>HD ø 31mm</p>	 <p>Crown #9018583</p> <p>Drive #9018591</p>

 <p>Vignette® Hunter Douglas</p>	 <p>Crown #9018585</p> <p>Drive #9018595</p> <p>Vignette®</p>
 <p>Shangri-La / Vienna Comfortex® / Turnils New Style</p>	 <p>Crown #9019851</p> <p>Drive #9019852</p> <p>Shangri-La® / Vienna Tube</p>
 <p>HD ø 37mm</p>	 <p>Crown #9019886</p> <p>Drive #9018593</p>

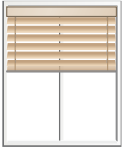
Tilt 50 WireFree™ RTS

Part # 1002822



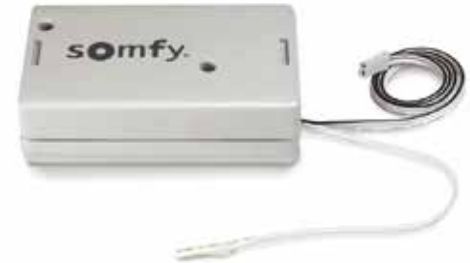
Offers control via Radio Technology Somfy® (RTS)

Applications



2" Horizontal Blinds

- Tilt only
- Features Somfy patented Modulus control, capable of precision tilting of blind slats.



Technical Features

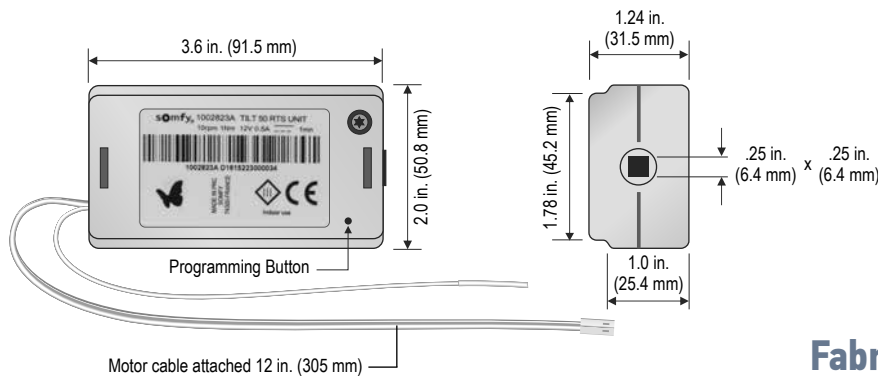
Voltage Supply	DC
Index Protection Rating	IP 20
Limit Switch Type	Electronic

Temperature Working Range 32°F to 140°F (0°C to 60°C)

Insulation Class Class III

Antenna RF antenna wire must be positioned outside of headrail and should not come in contact with metal surfaces for greatest RF range. RF wire may need to be repositioned for optimal performance. Antenna wire must not be cut.

Dimensions - in. (mm)



Fabrication Recommendations

- Steel or aluminum headrails can be used.
- Headrail adaptor is required.
- Somfy requires Energizer® Lithium batteries #L91 that provide patented safety protection.











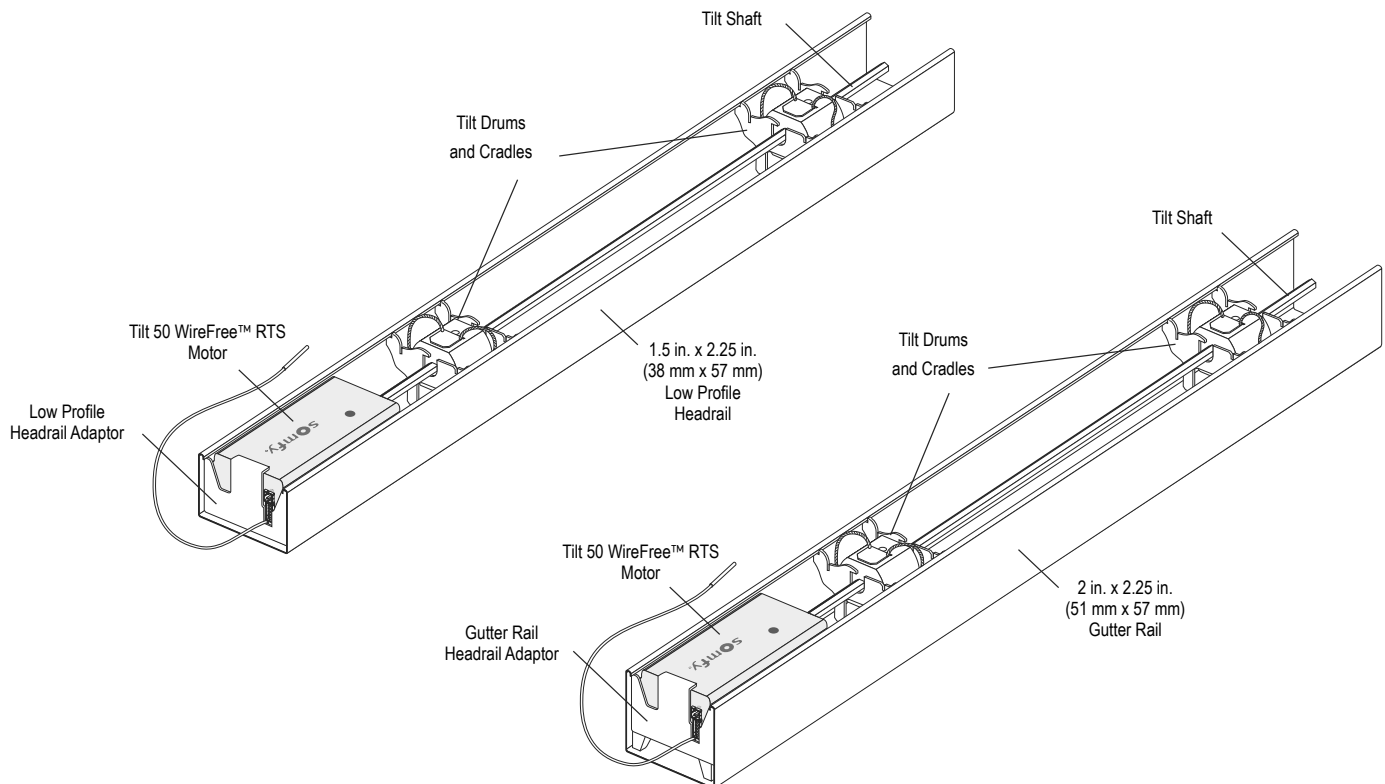
Performances Tilt 50 WireFree™ RTS

Voltage	12V DC
Torque	.6 Nm
Sound Level	44 dBA at 5 rpm with rubberized headrail adaptor
Speed	10 rpm
Slow Speed Option	5 rpm

Tilt 50 WireFree™ RTS Hardware Systems and Accessories

TILT 50 WIREFREE™ RTS COMPONENTS

SYSTEM TYPE	HEADRAIL PROFILE	HEADRAIL ADAPTORS	SHAFT ADAPTORS		
1.5 in. x 2.25 in. (38 mm x 57 mm) Low Profile Headrail		 Low Profile Headrail Adaptor 9014528	 5.6 mm Hexagonal Adaptor 9014535	 D Rod Adaptor 9014536	 4 mm Square Adaptor 9014540
1.5 in. x 2.25 in. (38 mm x 57 mm) Low Profile Graber®/Bali® (SureClose™)					
2 in. x 2.25 in. (51 mm x 57 mm) Gutter Rail		 Gutter Rail Headrail Adaptor 9014529			



WireFree Control Accessories

Learn more about controls and accessories and download the RTS brochure at www.somfy.com/controls

RADIO TECHNOLOGY SOMFY® (RTS)



TELIS HAND-HELD REMOTE COLLECTION



Telis 1 RTS Pure
Single Channel
Remote
1810632



Telis 4 RTS Pure
Five Channel
Remote
1810633



Telis 1 RTS Silver
Single Channel
Remote
1810639



Telis 4 RTS Silver
Five Channel
Remote
1810641



Telis 1 RTS Lounge
Single Channel
Remote
1810650



Telis 4 RTS Lounge
Five Channel
Remote
1810652



Telis 1 RTS Patio
Single Channel
Remote
1810643



Telis 4 RTS Patio
Five Channel
Remote
1810645



Telis 1 Modulis
RTS Pure with scroll
wheel for precision
tilting of blind slats
1811234



Telis 4 Modulis
RTS Pure with scroll
wheel for precision
tilting of blind slats
1811235



Telis 16 Channel RTS
Pure Remote with
On-screen display
1811081



Telis 16 Channel RTS
Silver Remote with
On-screen display
1811082



Telis 1 Chronis RTS
Pure Timer
1805237



Telis 1 Chronis RTS
Silver Timer
1805238

DECOFLEX WIREFREE™ WALL SWITCHES



DecoFlex 1 Channel RTS
WireFree™ Wall Switch



DecoFlex 2 Channel RTS
WireFree™ Wall Switch



DecoFlex 3 Channel RTS
WireFree™ Wall Switch



DecoFlex 4 Channel RTS
WireFree™ Wall Switch



DecoFlex 5 Channel RTS
WireFree™ Wall Switch



Smoove 1 RTS Pure

- Battery-operated convenience
- Surface mounts with ease
- Frames available in 7 colors

- Wall Switches shown in white. Also available in black and ivory finishes.
- Shown assembled with printed channel buttons.
- Custom engraved buttons are also available.



TABLE TOP ACCESSORIES



DecoFlex WireFree™ RTS
Table Top Accessory Black
1811051*



DecoFlex WireFree™ RTS
Table Top Accessory Silver
1810972*



DecoFlex WireFree™ RTS
Table Top Accessory White
1811185*

*DecoFlex Switch sold separately from Table Top Accessory.

WireFree Control Accessories

Learn more about controls and accessories and download the RTS brochure at www.somfysystems.com/controls

RADIO TECHNOLOGY SOMFY® (RTS)



INDOOR RTS SENSORS



Sunis Indoor
WireFree™ RTS
9013707



ThermoSunis Indoor
WireFree™ RTS
9013708

RTS REPEATER



RTS Repeater
(extends RTS range)
1810791

RTS MOTOR INTERFACES



ZRTSI II



Z-Wave® to RTS Interface2
Integrates Somfy RTS motorized applications with Z-Wave® control systems.
1811265

myLink™



RTS Smart Phone and Tablet Interface
Control shades while home or away using your tablet or smartphone. A simple on-screen setup wizard helps users create timed events, scenes and more. Compatible with iOS and Android.
www.somfysystems.com/mylink
1811403

16 CHANNEL RTS INTERFACE



Universal RTS Interface 16-Channel
(Converts IR, RS232, RS485 to RTS)
1810872

SOMFY CONNECT™ LTI



Integrates Somfy RTS and Somfy Digital Network™ (SDN) motorized applications with RadioRA® 2, Homeworks® QS, GRAFIF Eye® QS, and Quantum® control systems.
1870210

SOMFY CONNECT™ UNIVERSAL AUTOMATION INTERFACE (UAI)



Offers a single point of communication between third party automation systems and Somfy powered solutions.
1870264

DRY CONTACT



RTS Dry Contact Interface Single Channel
1810493

NOTE: For additional information regarding ZigBee® or Z-Wave® controls, contact Somfy Systems, Inc.

WireFree Power Accessories

WIREFREE ACCESSORIES

Solar Recharge Kit



9019034

(Includes: Solar panel, reloadable battery tube, 4 panel mounting brackets, 2 battery clips, "Y" harness and glass mount adhesive)

Complete with 10 Ni-MH Batteries 9019235

Ni-MH Rechargeable Battery Tube Only



9018684

- Requires 10 Ni-MH batteries

For use with battery charger #9018620

Plug-in AC Battery Rapid Charger



9018620

Required for charging Ni-MH batteries prior to installation

For use with solar kit #9019034/9019235 and battery Ni-MH tube #9018684

Extension Cables



10" - 9018623

48" - 9016736

96" - 9018624

- For connection to "Y" harness
- For connection to all battery tubes

Mounting Clips for Battery Tubes



9013263

For use with solar kit #9019034/9019235 and battery Ni-MH tube #9018685

Solar Panel Mounting Bracket Kit



9015897

(Included with solar kit)

BATTERIES AND ACCESSORIES

Single 12V DC Reloadable Battery Tube



9018685

- For use with all 12V DC WireFree motors
- Requires reloadable battery tube and 8 AA lithium batteries

Dual 12V DC Reloadable Battery Tube "Y" Harness



9018625

- Used to connect (2) 12V DC reloadable battery tubes to extend battery life
- For use with 2 lithium battery wands only (9018685)

4 AA Lithium Battery Package



9013231

(2 needed for battery tube #9014020)

8 AA Lithium Battery Package Tubes



9014834

(for battery tube #9014020)

10 PACK Ni-MH Batteries



9018621

(for solar kit #9019034 & battery tube #9018684)

Mounting Clips for Battery Tubes



9013263

Included with battery tube #9018685

TRANSFORMERS AND ACCESSORIES

12V DC Plug-in Transformer



1822445

For use with R28, CL32 and T0/50 motors

12V DC 10A Din Rail Mount Power Supply



9018760

(for hard-wired installations)

14" Din Rail for Power Supply



9011975

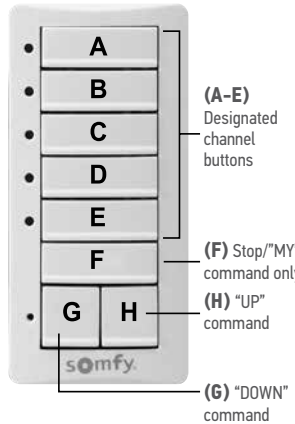
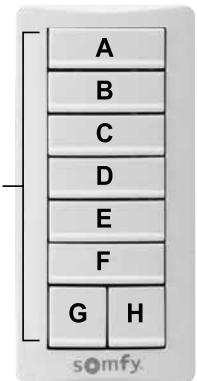
DECOFLEX RTS AND DECOFLEX SDN

Button Engraving Order Form

Customer Name: _____ Customer #: _____

SHIPPING	Shipping Information	Project Information
	Ship to: Default Shipping Address <input type="checkbox"/> Drop Ship <input type="checkbox"/>	Project Name: _____
	Name: _____	Installer Name/Company: _____
	Address: _____	P/O #: _____ Order #: _____
	City: _____ State: ____ Zip: _____	Area: _____
	Phone: _____	Room: _____

STYLE	Button Color	Switch Type
	WHITE <input type="checkbox"/> #9018259	RTS <input type="checkbox"/>
	IVORY <input type="checkbox"/> #9018260	Somfy Digital Network™ (SDN) RS485 <input type="checkbox"/>
	BLACK <input type="checkbox"/> #9018261	

ENGRAVING OPTIONS	DecoFlex RTS		DecoFlex SDN																																																															
		<p>Buttons (A-F) 9 Characters Maximum (including spaces)</p> <table border="1"> <thead> <tr> <th></th> <th colspan="5">Buttons (A-F)</th> <th>QTY.</th> </tr> </thead> <tbody> <tr><td>A</td><td></td><td></td><td></td><td></td><td></td><td></td></tr> <tr><td>B</td><td></td><td></td><td></td><td></td><td></td><td></td></tr> <tr><td>C</td><td></td><td></td><td></td><td></td><td></td><td></td></tr> <tr><td>D</td><td></td><td></td><td></td><td></td><td></td><td></td></tr> <tr><td>E</td><td></td><td></td><td></td><td></td><td></td><td></td></tr> <tr><td>F</td><td></td><td></td><td></td><td></td><td></td><td></td></tr> <tr><td>G</td><td></td><td></td><td></td><td></td><td></td><td></td></tr> <tr><td>H</td><td></td><td></td><td></td><td></td><td></td><td></td></tr> </tbody> </table>		Buttons (A-F)					QTY.	A							B							C							D							E							F							G							H							
		Buttons (A-F)					QTY.																																																											
	A																																																																	
	B																																																																	
	C																																																																	
	D																																																																	
	E																																																																	
	F																																																																	
	G																																																																	
H																																																																		
	<p>(F): Command Button by default is labeled STOP on the DecoFlex RTS Switch only.</p>																																																																	
	<p>NOTE: G and H buttons by default are labeled as follows: (G = down ▽ icon): WHITE - #9018263 IVORY - #9018264 BLACK - #9018265 (H = up ▲ icon): WHITE - #9018267 IVORY - #9018268 BLACK - #9018269 If you prefer they can be substituted with an associated command NAME (UP, DOWN, LOWER, etc.) up to 5 characters.</p>																																																																	

Engraving Options - Default option will be used if nothing is selected.

Character Types: (choose one)

ALL LETTERS CAPITALIZED (Default) First Letters Capitalized As written in above section

Payment terms of your account will apply.
All engraved switches are custom made and are non-cancellable.
Please send form to: Fax # 609-495-8117 or e-mail to: Ordering_us@somfy.com

SOMFY SYSTEMS INC 121 Herrod Blvd. Dayton, NJ 08810 Phone: (800) 22-SOMFY NJ: (609) 395-1300 Fax: (609) 495-8118 somfysystems.com	Florida 6100 Broken Sound Pkwy. N.W., Suite 14 Boca Raton, FL 33487 Phone: (877) 227-6639 Fax: (561) 995-7502	California 15291 Barranca Parkway Irvine, CA 92618-2201 Phone: (877) 727-6639 Fax: (949) 727-3775	SOMFY ULC SOMFY Canada Division 5178 Everest Drive Mississauga, Ontario L4W2R4 CN: (905) 564-6446 Fax: (905) 238-1491
--	---	--	--

SOMFY® is the leading global manufacturer of strong, quiet motors with electronic and app controls for interior and exterior window coverings. Over 270 million users worldwide enjoy the more than 150 million motors produced by Somfy. During the past 40+ years, Somfy engineers have designed products for both the commercial and residential markets to motorize window coverings such as interior shades, wood blinds, draperies, awnings, rolling shutters, exterior solar screens and projection screens. Somfy motorization systems are easily integrated with security, HVAC and lighting systems providing total home or building automation.

SOMFY SYSTEMS INC
SOMFY NORTH AMERICAN HEADQUARTERS

121 Herrod Blvd.
Dayton, NJ 08810
T: (800) 22-SOMFY (76639)
NJ: (609) 395-1300
F: (609) 395-1776

FLORIDA

6100 Broken Sound Pkwy. N.W.
Suite 14
Boca Raton, FL 33487
T: (800) 22-SOMFY (76639)
F: (561) 995-7502

CALIFORNIA

15291 Barranca Parkway
Irvine, CA 92618-2201
T: (800) 22-SOMFY (76639)
F: (949) 727-3775

SOMFY ULC

SOMFY Canada Division

5178 Everest Drive
Mississauga, Ontario L4W2R4
T: 1-800-66-SOMFY (76639)
CN: (905) 564-6446
F: (905) 238-1491

www.somfysystems.com

A BRAND OF **SOMFY** GROUP



© Copyright Somfy Systems, Inc. 12/2016
Images: © SAS/Childeric