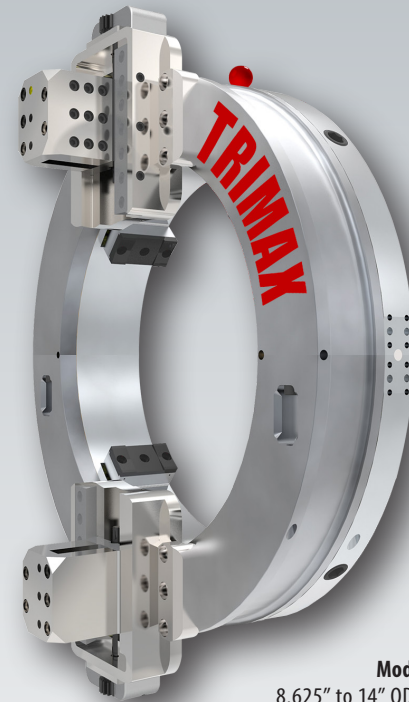


The Safest, Most Innovative Split-Frame Machining System In The World

Perfect for in-line severing, beveling, counterboring and much more.



TRIMAX



Model 614TMX
8.625" to 14" OD Tube/Pipe

- **MAXIMUM SAFETY**
- **MAXIMUM PERFORMANCE**
- **MAXIMUM PRECISION**

Tri Tools' exciting new split-frame machining system has been designed to deliver unprecedented performance & dependability, combined with industry-leading operator safety at it's very core.

*Awarded Two US Patents for
Safety and Innovation*

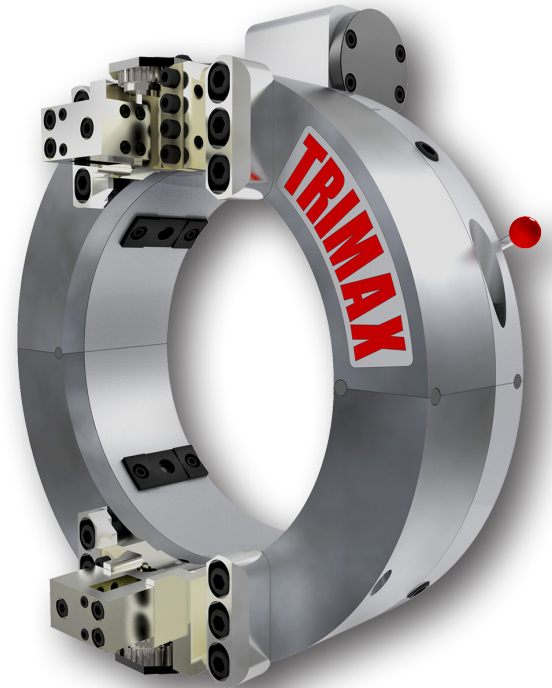
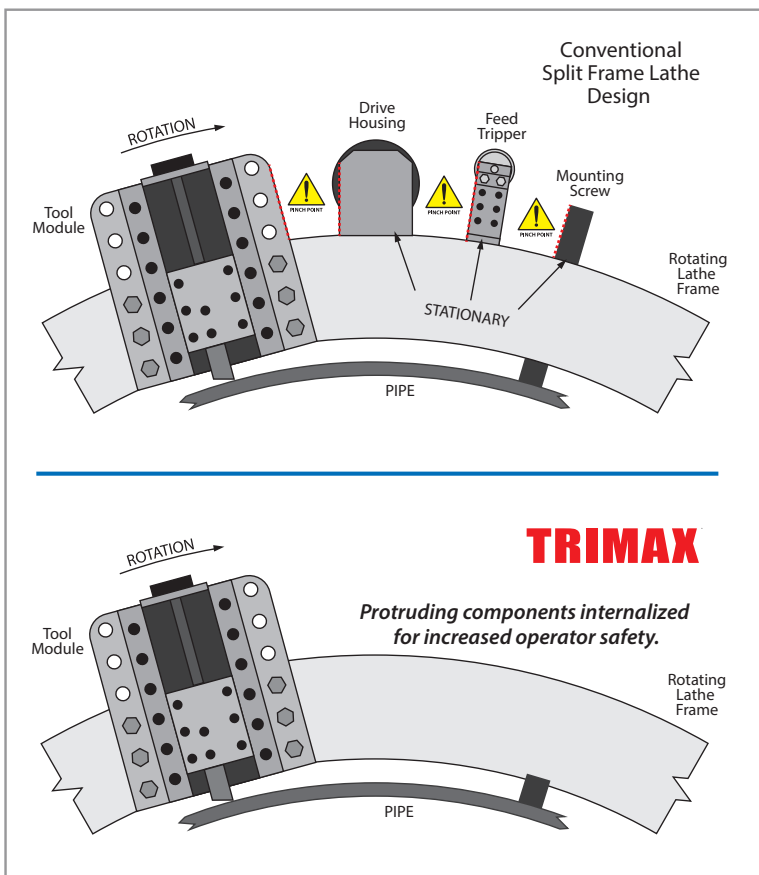
TRI TOOL
BUILDING PERFORMANCE

A GAME-CHANGING, REVOLUTIONARY DESIGN!

"A remarkable achievement. This state-of-the-art bearing design is a game-changer and makes all competing machines obsolete in terms of safety, stability and outstanding cutting results."

Tri Tool's many years as an OEM providing high quality, world-class portable machining solutions has resulted in a vast body of experience, as well as the excellent opportunity to learn our customers' needs and expectations from our many tools.

Having developed countless variations, configurations and special engineered versions of the split frame lathe, we became keenly aware of the fact that the true nature of the "Clamshell" lathe was not simply a machine that could be split and mounted in-line along a pipe. It's real advantage was that it was an ideal platform for limitless machining operations.



Model 608TMX
4.50" to 8.625" OD Tube/Pipe

When developing a new machining system intended to raise the bar for this class of machine, it was crucial to re-imagine our products that had served so many, so well for such a long time. By applying our vast experience in machine tool design with advanced CAD and manufacturing capabilities, our engineering team was able to produce the ultimate split-frame lathes on the market today.

The resulting TRIMAX system is able to perpetuate the long-respected, field-proven attributes of our previous 600 Series equipment, along with major improvements in frame stability, performance, and operator safety.

Internalizing the conventional drive, feed and mounting components eliminated pinch points making the TRIMAX ideal for operation in close, confined spaces.

The TRIMAX system is indicative of our ongoing commitment to our SAFER BY DESIGN™ concept, to produce increased operator safety through intelligent design.

This design advantage is one of many offered by the new system wherein the increased "L Shaped" headstock stability and low friction of the innovative recirculating ball bearing patent offer much greater system expansion than ever before.

Greater system options translate to enhanced versatility and customization possibilities, and that in turn results in maximum economy and functionality for years to come.

Tri Tool encourages customers to challenge us with any operational requirement, from the simplest to your most demanding (or previously impossible) portable machining requirement you may have. **TRIMAX is up to the challenge!**

You asked for PERFORMANCE, POWER, PRECISION, VERSATILITY, TOUGHNESS, and SAFETY!

1 & 2 pipe size modules are practically flush to frame for improved safety.

Auto-Lock headstock engages whenever the frame is separated.

Toe clamps for infinite adjustments without having to remove bolts.

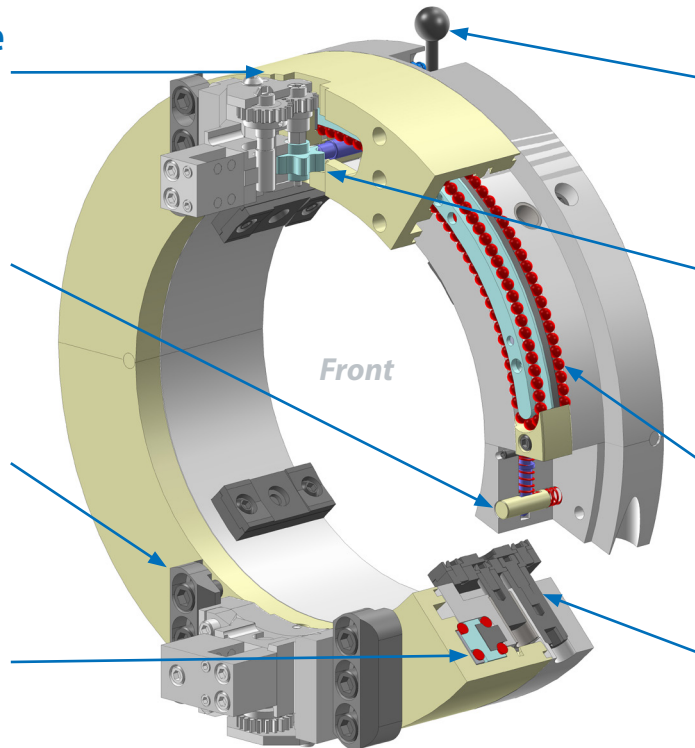
Diagonally opposed bearing contacts permit higher load carrying.

Tripper handle at rear of machine is safer, away from rotating elements.

Feed stays engaged during adjustment so modules can't accidentally slide off.

Patented recirculating bearing enables faster and heavier cutting.

Dual-shaft pad design prevents rocking and stays square to pipe.



90° power input allows lines to be routed away from rotating parts.

Multiple tripper locations provide easy feed rate selection.

Fully internalized tripper mechanism prevents tampering or overrides.

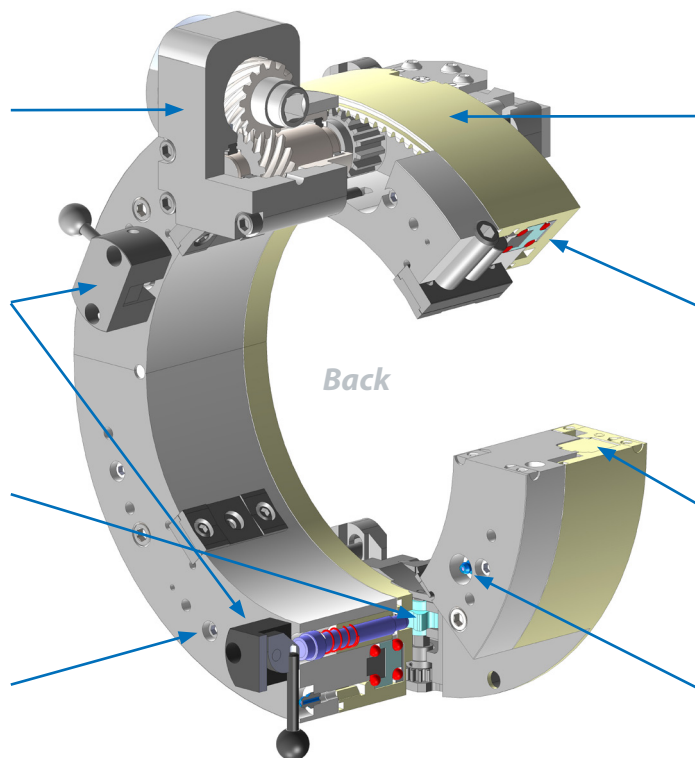
Quick and user-friendly ball bearing free play adjustment.

No external tripper or drive block pinch points for operator safety.

The L-shaped headstock extends to the rear for increased strength.

The bearing is protected from contamination by a unique debris guard.

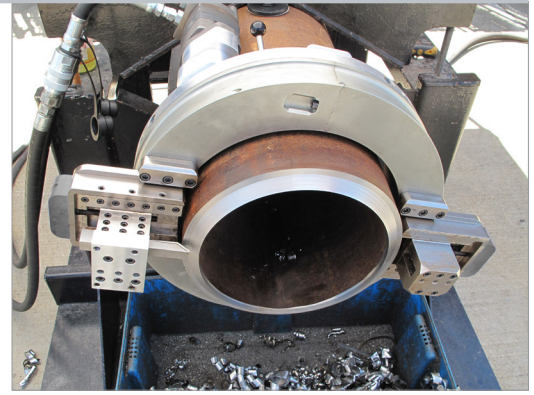
Fast and easy bearing lubrication for the whole section at one point.



TRIMAX Machining System

With two patents, the TRIMAX machining system was built to be the safest, most stable split frame lathe on the market today. With the tripper mechanism being housed internally, there are no pinch points on this revolutionary new machine. The unique recirculating ball bearing also makes the system rigid both axially and radially providing the strength needed for fast, safe form tooling on heavy wall pipe. Currently there are no competitors in our market space that can do what this new machine can.

The vastly improved rigidity of the TRIMAX system also opens the doors to new and exciting possibilities of special applications never before achieved with a split- ring machining system. The capacity to accept much larger cutting loads and forces without adversely affecting performance maximizes the special accessory configuration extensibility of this machining system.



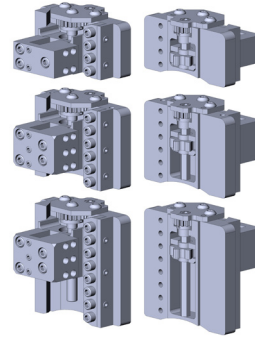
The TRIMAX machining system demonstrating the feature that the tool modules operate at independent heights.

Features

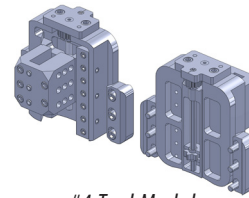
- Higher cutting speeds
- Reduced temperature build-up
- Available with Electric, Pneumatic or Hydraulic power
- Tool Modules - For Model 604TMX to 612TMX
 - #1 Tool Module (cuts one pipe size)
 - #2 Tool Module (cuts two pipe sizes)
 - #3 Tool Module (cuts three pipe sizes)
- Tool Module - For Model 614TMX to 624TMX
 - #4 Tool Module (cuts 4 pipe sizes)
- Faster and easier tooling adjustments
- Infinite resolution on tool module adjustability
- Sever and bevel simultaneously

Optional accessories

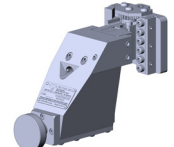
- OD Tracking Module (For use with Model 614TMX and up)
- Full Support Pads
- Counterbore Modules
 - CBM-2 - For Model 604TMX to 612TMX
 - CBM-3 - For Model 614TMX to 624TMX
- Assembly Assist Latch - For Model 614TMX to 624TMX
- Locking Steel Gang Box - For Model 614TMX to 624TMX
- Single Point Module - For Model 614TMX to 624TMX
- Carbide Severing Tool Holder
- 0.001" Feed Kit - For Model 604TMX to 612TMX



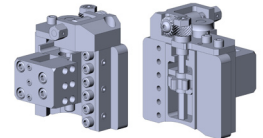
#1, #2 and #3 Tool Modules



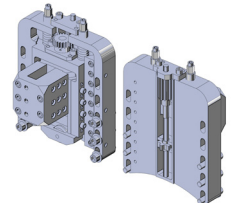
#4 Tool Module



CBM-2 C'Bore Module



0.001" Feed Kit

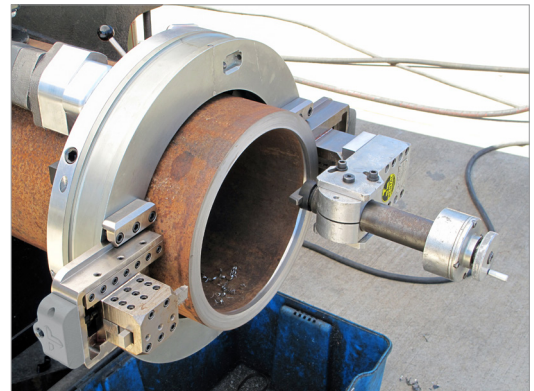


OD Tracking Module

Note: Call for accessory availability or for special configuration assistance.

TRIMAX Model	Pipe Size Range
604TMX	2" to 4" (50.8 to 101.6mm)
606TMX	2" to 6" (50.8 to 152.4mm)
608TMX	4" to 8" (101.6 to 203.2mm)
610TMX	6" to 10" (152.4 to 254mm)
612TMX	6" to 12" (152.4 to 304.8mm)
614TMX	8" to 14" (203.2 to 355.6mm)
616TMX	10" to 16" (254 to 406.4mm)
620TMX	14" to 20" (355.6 to 508mm)
624TMX	18" to 24" (457.2 to 609.6mm)

Note: Specifications subject to change without notice.



A TRIMAX 614TMX fitted with the optional CBM-3 module performing a precision counterbore on a 14" pipe end.



- Portable Precision Machine Tools
- Mechanized Welding Systems • Pipeline Equipment
- Code Welding • On-Site Construction Services
- Special Engineering & Custom Mfg. • Equipment Rentals

3041 Sunrise Blvd., Rancho Cordova, CA 95742
(800)345-5015 • (916)288-6100 • www.tritool.com