



COSEN MACHINERY INDUSTRIAL CO., LTD.




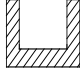
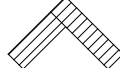
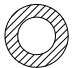
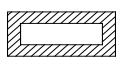
INQUIRY FORM

Basic Information

Date:

Company		Fax No.	
		Email	
Branch		Fax No.	
		Email.	

Material Information

Type of Material	<input type="checkbox"/> Iron & Carbon Steel <input type="checkbox"/> Alloy steel <input type="checkbox"/> Hard metal: Titanium 、Inconel.....						
	<input type="checkbox"/> Aluminum <input type="checkbox"/> Copper <input type="checkbox"/> plastic material						
	<input type="checkbox"/> Quarts and similar <input type="checkbox"/> Other Material						
Shape & Size of material							
	ϕ _____ in	_____ in	_____ X _____ in,	_____ X _____ in,	_____ X _____ in	ϕ _____ X T _____ in	_____ X T _____ in
Length of Material	_____ in		Cutting length	_____ in			
Tolerance of material	<input type="checkbox"/> machined or ground surface <input type="checkbox"/> $\pm 1m/m$ <input type="checkbox"/> $\pm 3m/m$ and up						

Type of Cutting

Bundle Cutting	<input type="checkbox"/> No. <input type="checkbox"/> Yes	Size of Bundle	
Miter Cutting	<input type="checkbox"/> No. <input type="checkbox"/> Yes	<input type="checkbox"/> single side <input type="checkbox"/> double sides	
Productivity	_____ Cuts/ _____	Operating Temperature	_____ $^{\circ}C/^{\circ}F$
Automation	<input type="checkbox"/> Loading <input type="checkbox"/> Feeding <input type="checkbox"/> Sawing <input type="checkbox"/> Feed Out <input type="checkbox"/> Sorting		

Other information	
-------------------	--