



PLATES CAN BE RECONFIGURED TO EXPAND THE WIDTH OF THE TABLE FOR LARGER PROJECTS.



## ALPHA 5/8 MODULAR WELDING TABLES

THE ALPHA 5/8 TABLE IS A FIVE FACE FIXTURING SURFACE WITH REPLACEABLE AND REVERSIBLE INDIVIDUAL PLATES.

The Alpha 5-sided table systems are combined with our patent-exclusive, reversible, and replaceable tabletop plates. Each plate can be reconfigured to expand the width of the table to accommodate larger projects. Alpha tables allow you to increase quality, consistency, and productivity while also reducing scrap and setup times for repeating jobs.

- Hardened, Heat Treated Surface for superior performance.
- Plate Thickness 0.47 ±0.004"
- 0.625±0.002" dia. CNC Machined Tabletop Holes
- Hole Spacing 2.000±0.001"

Plate Thickness	0.47" ±0.004
Tabletop Flatness	±0.005 per 24"
Hole Diameter	0.625" ±0.002
Hole Spacing	2 inches
Tabletop Hardness	HV550
Tabletop Height	6 inches

<b>TOP PLATE</b>	
<b>Material</b>	P20
<b>SIDE PLATE</b>	
<b>Material</b>	A572
<b>FRAME</b>	
<b>Material</b>	A36

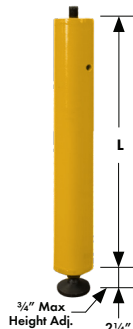
### TABLETOP SIZES

120" × 60"
96" × 48"
72" × 48"
72" × 36"
48" × 48"

### HEAVY DUTY LEGS

These legs feature steel leveling pads to ensure proper leveling of your table on uneven surfaces.

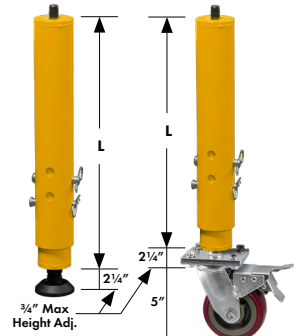
Leg Height	28"	22"
Leg Height + Leveling Pad	30.3"	24.3"

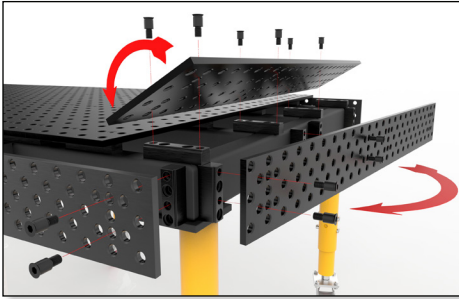


### ADJUSTABLE LEGS

These dynamic legs are adjustable at 1" increments. They have a telescoping adjustable range (L) from 20" to 30."

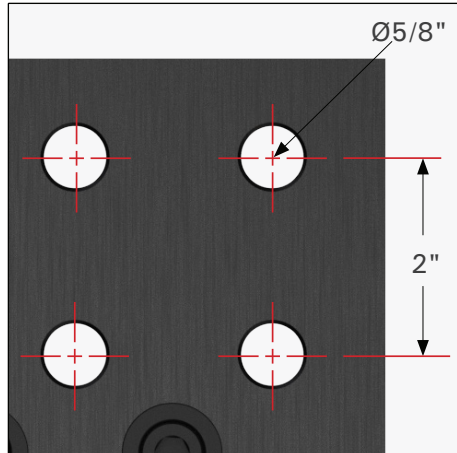
Leg Height	20 ~ 30"	20 ~ 30"
Leg Height + Leveling Pad	22.3 ~ 32.3"	27 ~ 37"





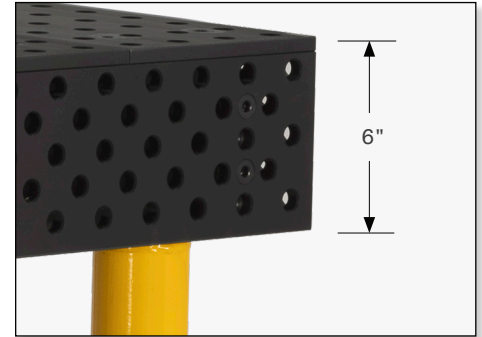
### Reversible Self-Locating Top & Side Plates

All BuildPro welding tables feature precision machined self-locating steel plates and reversible top plates; this enables each table plate to be removed and flipped 180 degrees to expose a new working surface if the top side has been damaged or worn down.



### Alpha Table Accuracy

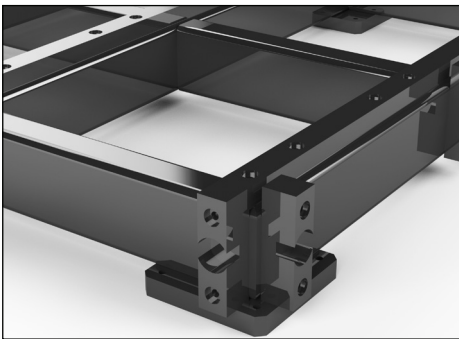
- Table flatness:  $\pm 0.005$ " per 24" x 24"
- Hole spacing: 2.000"  $\pm 0.001$
- Hole diameter: 0.625"
- Plate thickness: 0.47"  $\pm 0.004$



### Alpha Tabletop Side Height

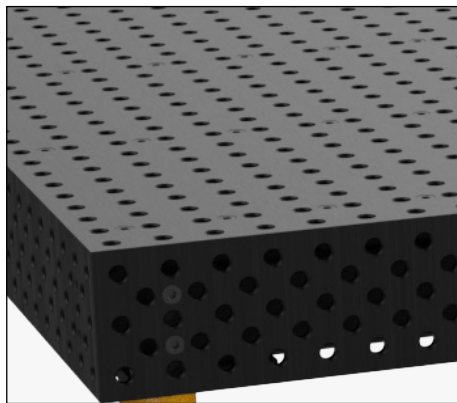
The new five-sided tables feature a 5-1/2" side plate combined with the top plate to create a 6" height.

Alpha table side plates feature an extended 5 borehole pattern for added precision and adjust-ability.



### Plate Mounting Detail for Side Plates

Side Plates also use self locating bushing system.



### Nitrided (Heat-Treated) Tabletop

All top and side plates of alpha table are constructed from heat-treated steel, hardened to 550 Vickers, and finished with a nitrite coating with a case depth of .0004-.0008".

### Table Leg Accessories



SUPPORT LEG ADAPTER



LEVELING CASTER



LEVELING PAD



MOBILITY CASTER