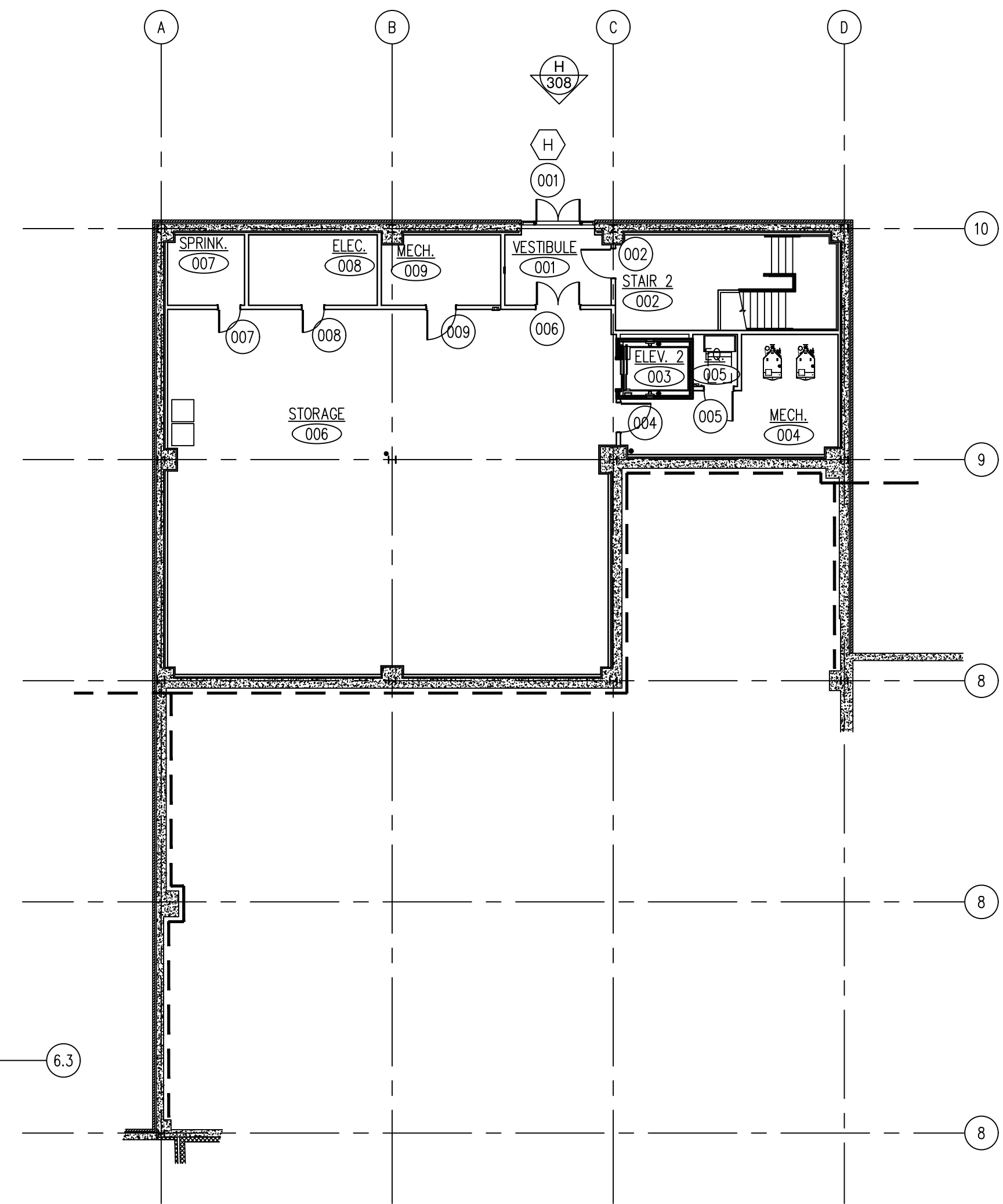


1
201 FIRST FLOOR PLAN
SCALE: 1/16" = 1 FT.
ARCH. REF.: A2.1/1



2
201 BASEMENT PLAN
SCALE: 1/16" = 1 FT.
ARCH. REF.: A2.1/2

Submittal/Revision	Description	By	Date
1			

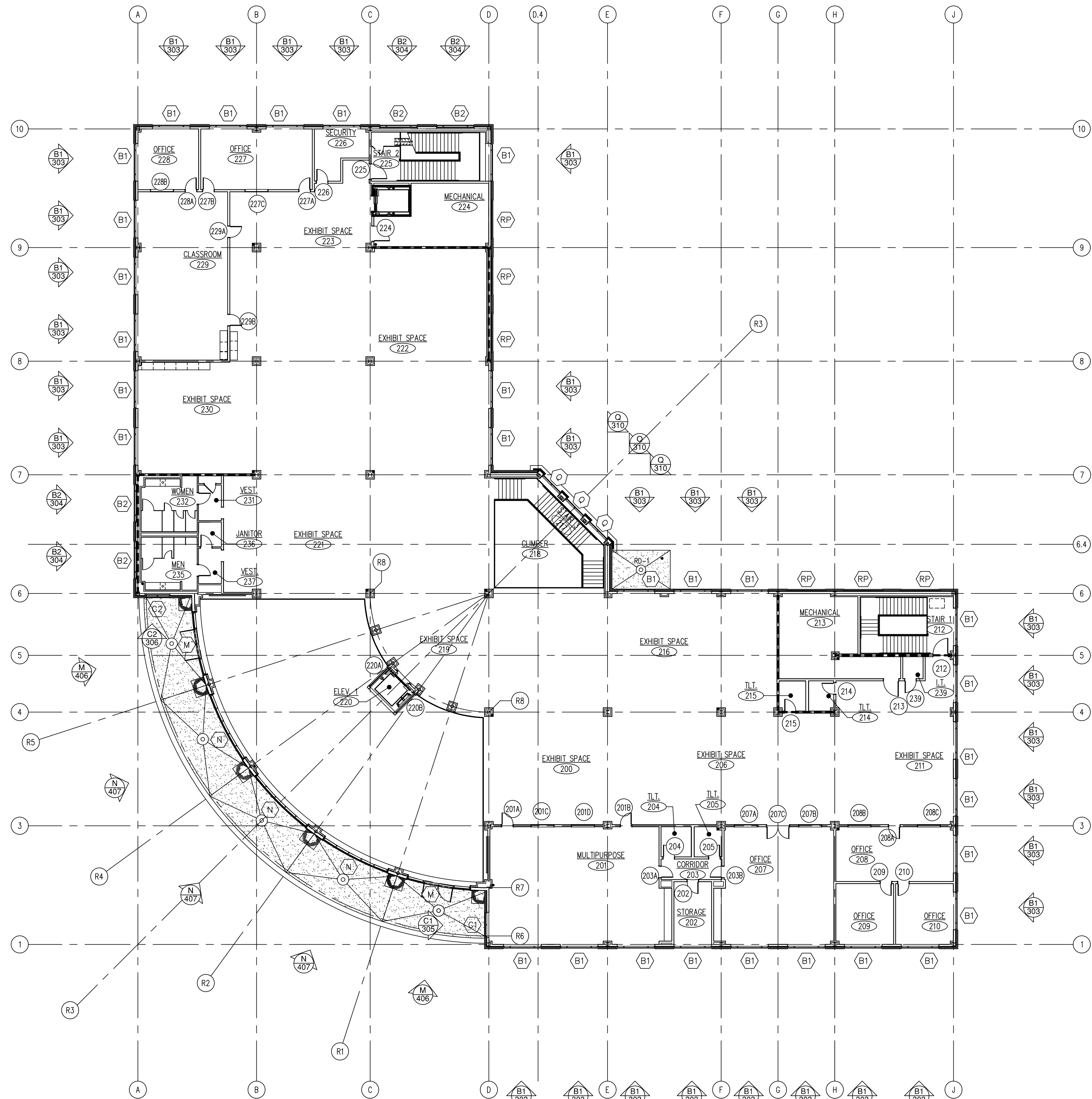
Project Name
NIDO & MARIANA QUBEIN
CHILDREN'S MUSEUM
Location
HIGH POINT, NC
Architect

Location
HIGH POINT, NC
General Contractor

Location

Drawing Title
ARCH. PLANS

Date:
9/22/2020
Sheet:
AP
201
Scale:
AS NOTED



1 SECOND FLOOR PLAN
202 SCALE: 1/16" = 1 FT.
 ARCH. REF.: A2.1/1

Submittal/Revision	Description	By	Date
1			

Project Name
**NIDO & MARIANA QUBEIN
 CHILDREN'S MUSEUM**
 Location
HIGH POINT, NC
 Architect

Location
HIGH POINT, NC
 General Contractor

Location

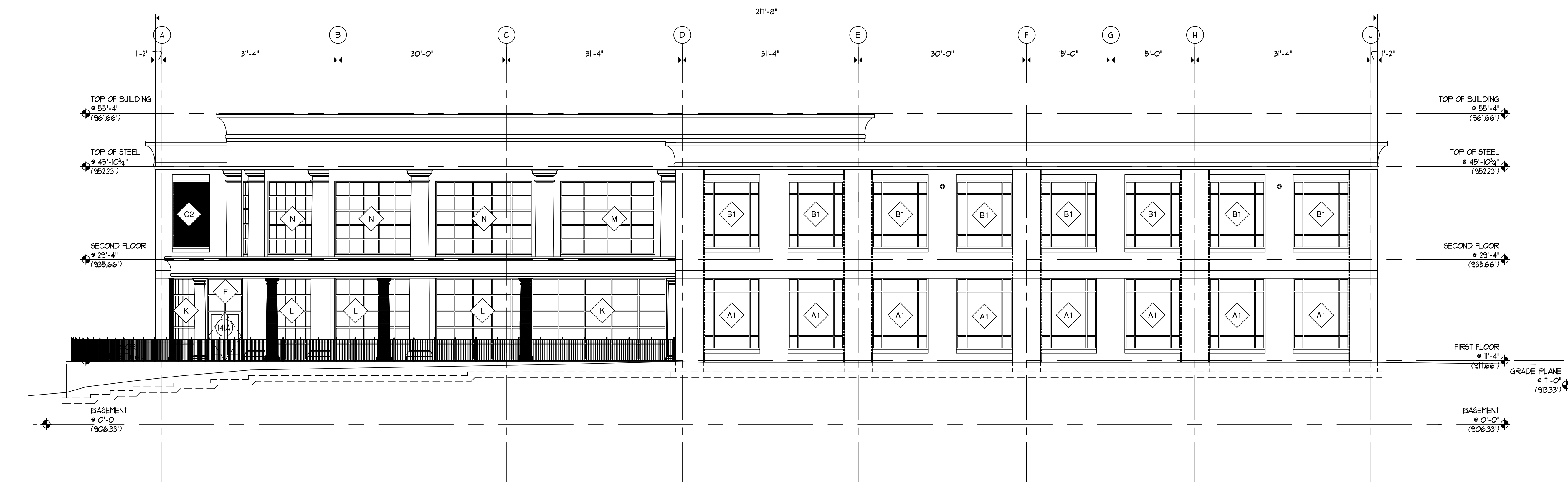
Drawing Title
ARCH PLAN

Date:
 9/22/2020
 Drawn by:
 AP
 Scale:
 AS NOTED

Sheet:
202



1 NORTHWEST ELEVATION
203 SCALE: 3/32" = 1 FT.
 ARCH. REF.: A5.1/1



2 SOUTHWEST ELEVATION
203 SCALE: 3/32" = 1 FT.
 ARCH. REF.: A5.1/2

Submittal/Revision	Description	By	Date	Sub. No.	Rev. No.
1					

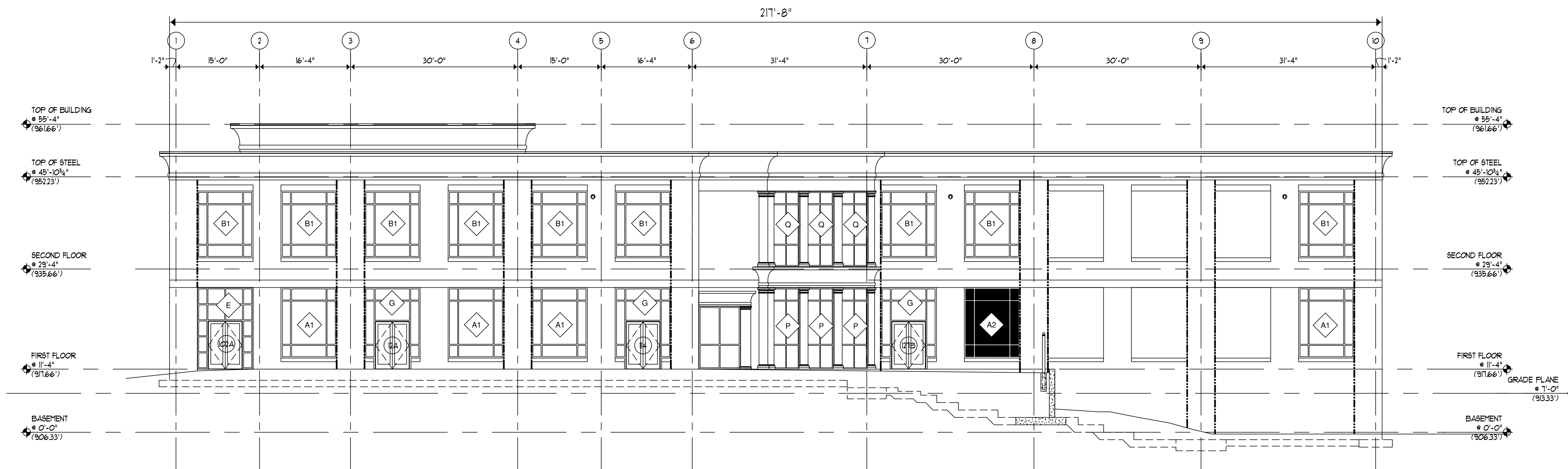
Project Name
 NIDO & MARIANA QUBEIN
 CHILDREN'S MUSEUM
 Location
 HIGH POINT, NC
 Architect

Location
 HIGH POINT, NC
 General Contractor

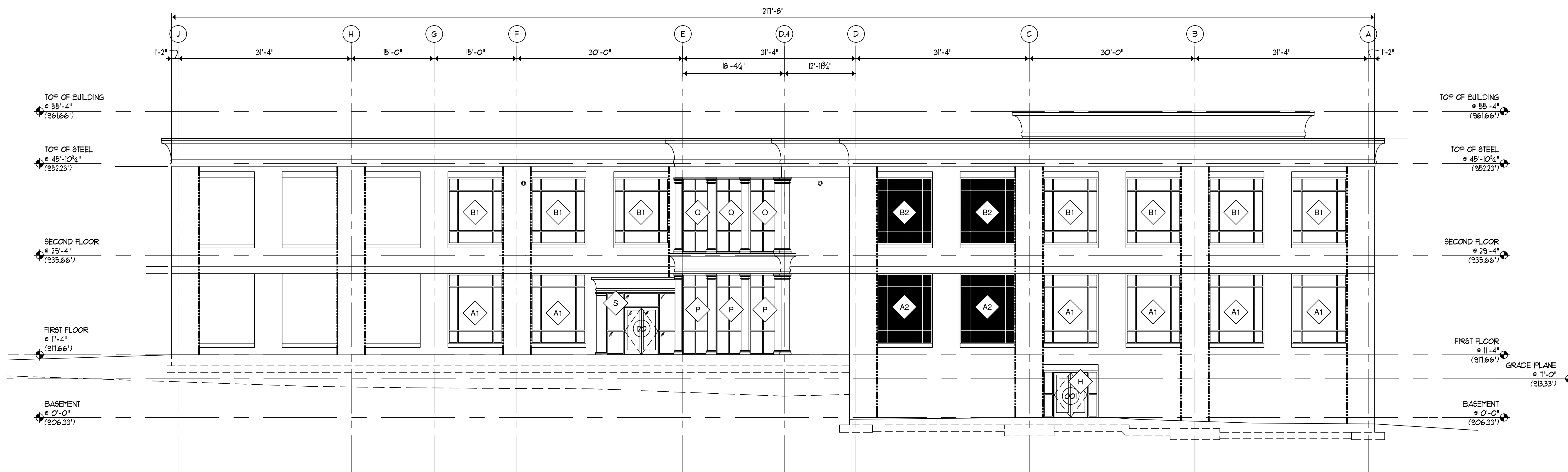
Location
 Drawing Title
 ARCH ELEV

Date:
 9/22/2020
 Drawn by:
 AP
 Scale:
 AS NOTED

Sheet:
203



1 SOUTHEAST ELEVATION
204 SCALE: 3/32" = 1 FT.
 ARCH. REF.: A5.2/1



2 NORTHEAST ELEVATION
204 SCALE: 3/32" = 1 FT.
 ARCH. REF.: A5.2/2

Submittal/Revision	Description	By	Date	Sub. No.	Rev. No.
1					

Project Name
 NIDO & MARIANA QUBEIN
 CHILDREN'S MUSEUM
 Location
 HIGH POINT, NC
 Architect

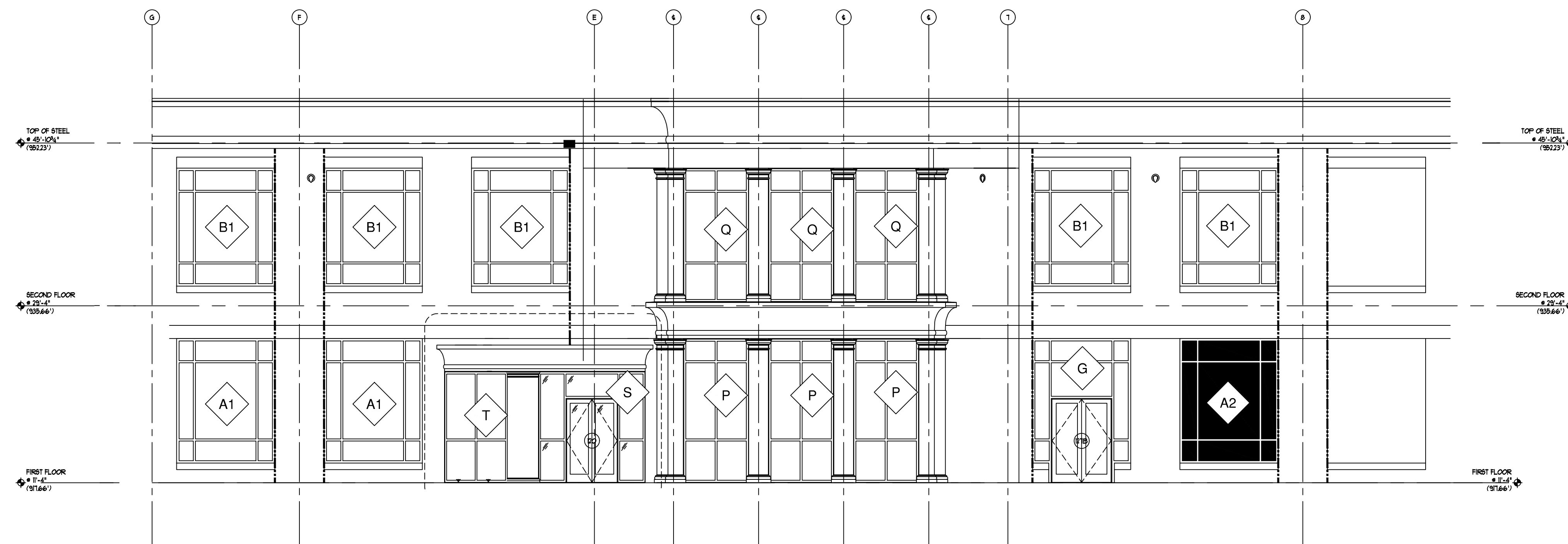
Location
 HIGH POINT, NC
 General Contractor

Location

Drawing Title
 ARCH ELEV

Date:
 9/22/2020
 Drawn by:
 AP
 Scale:
 AS NOTED

Sheet:
204



2 EAST ELEVATION
205 SCALE: 1/8" = 1 FT.
 ARCH. REF.: A5.3/1

Submittal/Revision	Description	By	Date
1			

Project Name
 NIDO & MARIANA QUBEIN
 CHILDREN'S MUSEUM
 Location
 HIGH POINT, NC
 Architect

Location
 HIGH POINT, NC
 General Contractor

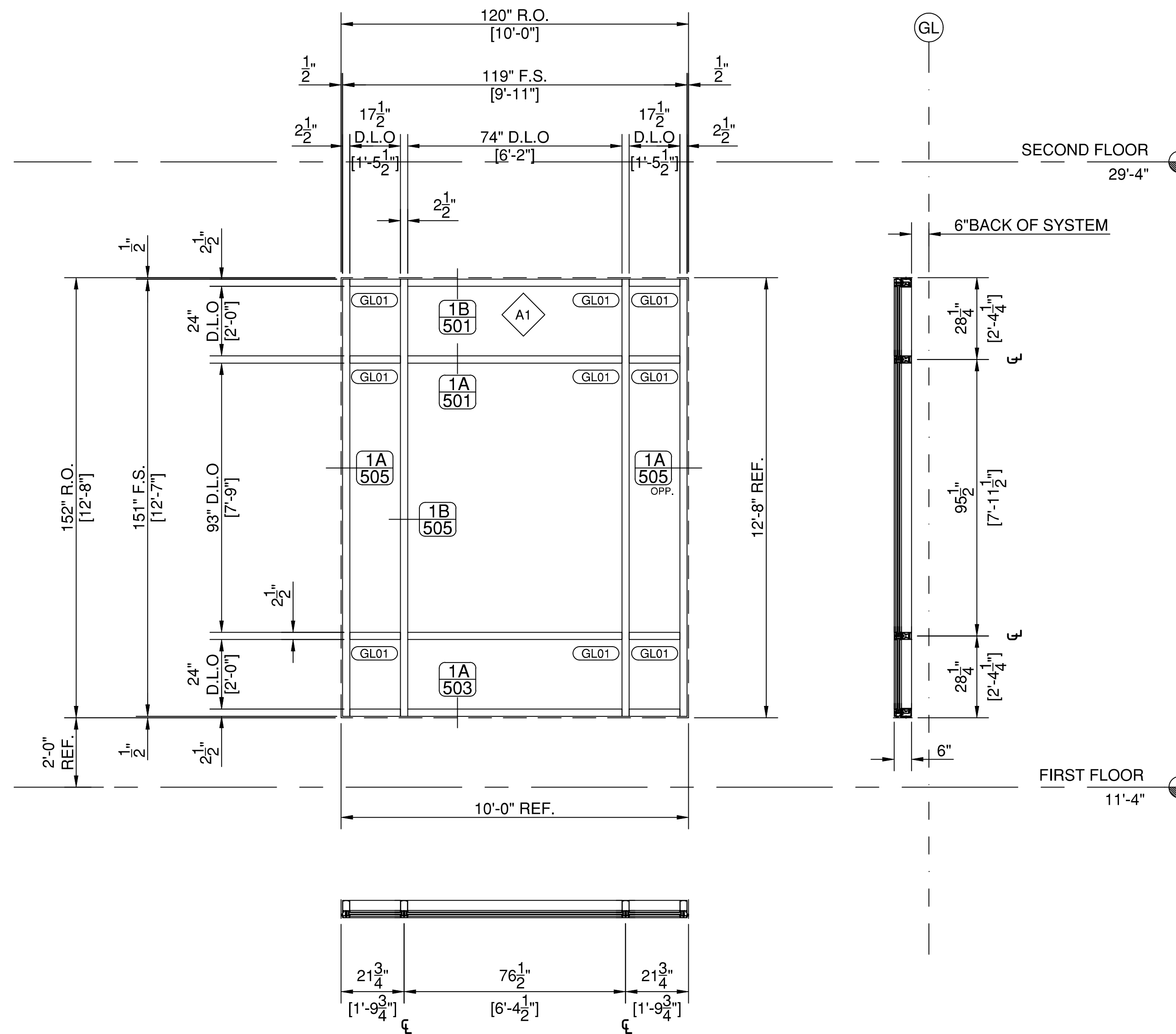
Location

Drawing Title
 ARCH ELEV

Date:
 9/22/2020
 Drawn by:
 AP
 Scale:
 AS NOTED

Sheet:
205

FIELD VERIFY ALL DIMENSIONS PRIOR TO FABRICATION



A1 A1
301 SCALE: 3/8" = 1 FT.
 QTY: 24
 ARCH. REF.: A8.1/1
 SYSTEM: KAWNEER 1600 WALL SYSTEM 1 (6" DEPTH)
 FINISH: CUSTOM

GLASS LEGEND	
GL01	1" O.A. INSULATED UNITS - CLEAR
GL02	1" O.A. INSULATED UNITS - OPAQUE

FIELD VERIFY ALL DIMENSIONS PRIOR TO FABRICATION

Submittal/Revision	Description	By	Date
1			

Project Name
 NIDO & MARIANA QUBEIN
 CHILDREN'S MUSEUM
 Location
 HIGH POINT, NC
 Architect

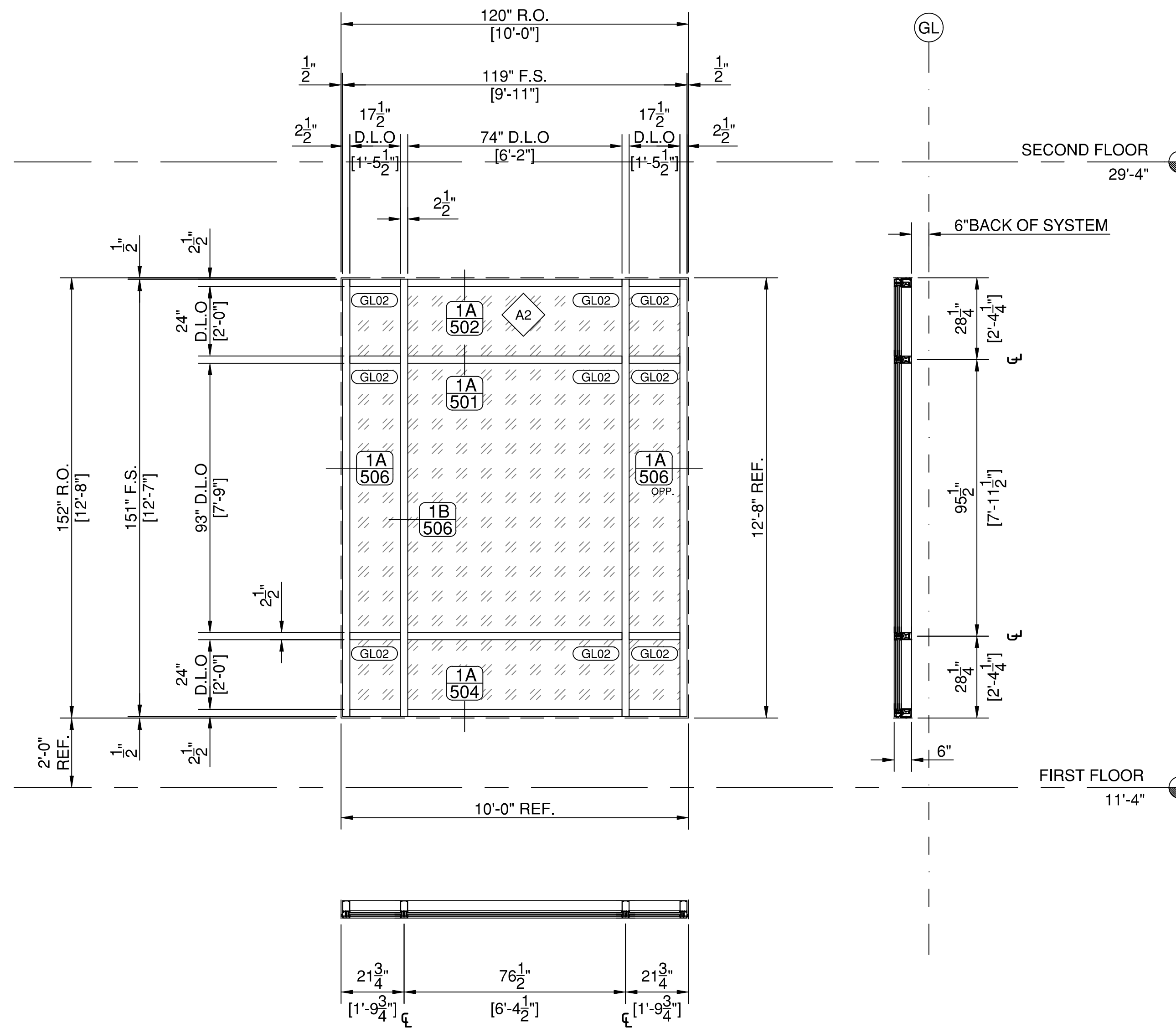
Location
 HIGH POINT, NC
 General Contractor

Location
 Drawing Title
 ELEVATION

Date:
 9/22/2020
 Drawn by:
 AP
 Scale:
 AS NOTED

Sheet:
301

FIELD VERIFY ALL DIMENSIONS PRIOR TO FABRICATION



A2 A2
302 SCALE: 3/8" = 1 FT.
 QTY: 5
 ARCH. REF.: A8.1/1
 SYSTEM: KAWNEER 1600 WALL SYSTEM 1 (6" DEPTH)
 FINISH: CUSTOM

GLASS LEGEND	
	1" O.A. INSULATED UNITS - CLEAR
	1" O.A. INSULATED UNITS - OPAQUE

FIELD VERIFY ALL DIMENSIONS PRIOR TO FABRICATION

Submittal/Revision	Description	By	Date
1			

Project Name
 NIDO & MARIANA QUBEIN
 CHILDREN'S MUSEUM
 Location
 HIGH POINT, NC
 Architect

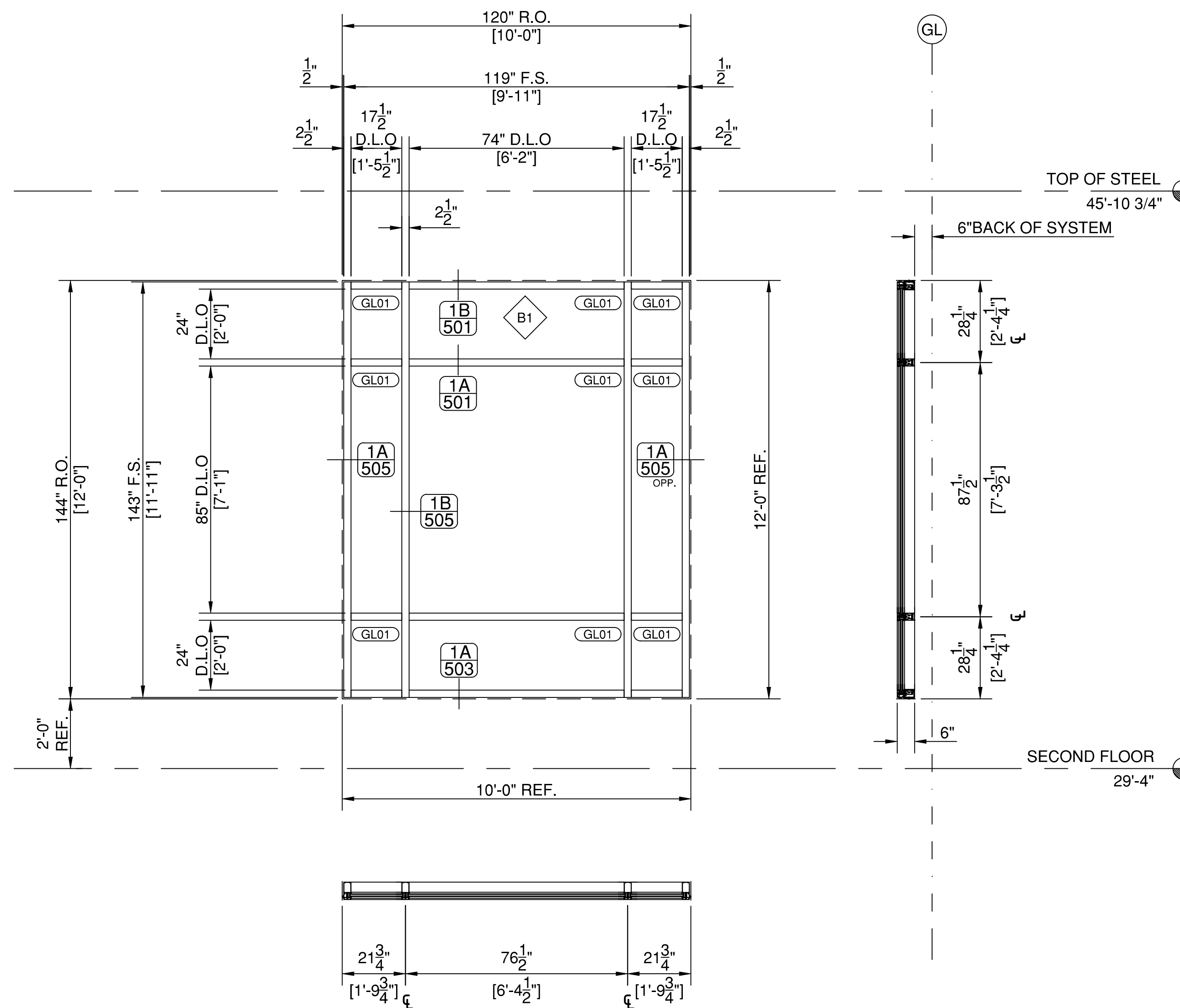
Location
 HIGH POINT, NC
 General Contractor

Location
 Drawing Title
 ELEVATION

Date:
 9/22/2020
 Drawn by:
 AP
 Scale:
 AS NOTED

Sheet:
302

FIELD VERIFY ALL DIMENSIONS PRIOR TO FABRICATION



B1 B1
303 SCALE: 3/8" = 1 FT.
 QTY: 30
 ARCH. REF.: A8.1/2
 SYSTEM: KAWNEER 1600 WALL SYSTEM 1 (6" DEPTH)
 FINISH: CUSTOM

GLASS LEGEND	
GL01	1" O.A. INSULATED UNITS - CLEAR
GL02	1" O.A. INSULATED UNITS - OPAQUE

FIELD VERIFY ALL DIMENSIONS PRIOR TO FABRICATION

Submittal/Revision	Description	By	Date	Sub. No.	Rev. No.
1					

Project Name
 NIDO & MARIANA QUBEIN
 CHILDREN'S MUSEUM
 Location
 HIGH POINT, NC
 Architect

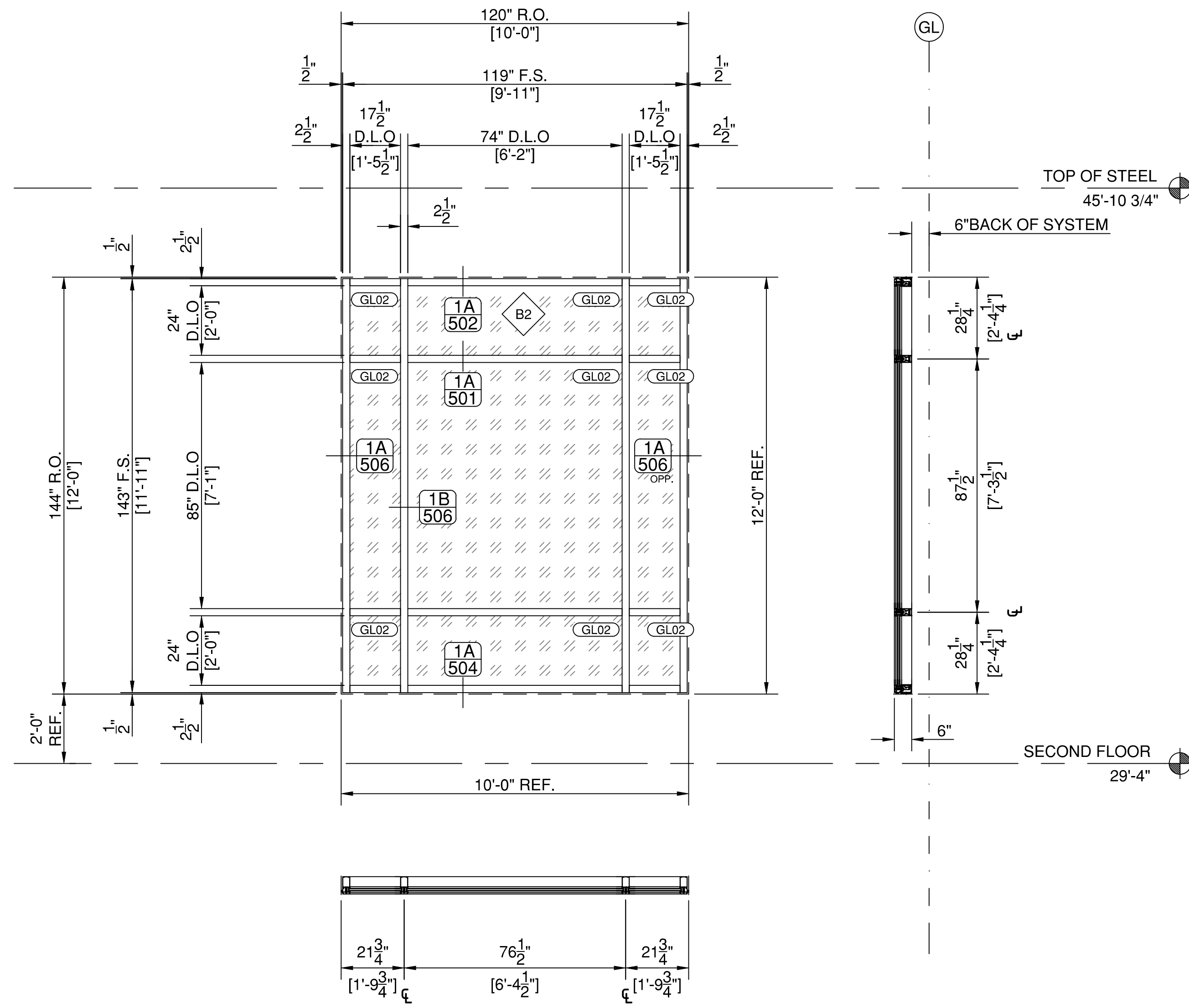
Location
 HIGH POINT, NC
 General Contractor

Location
 Drawing Title
 ELEVATION

Date:
 9/22/2020
 Drawn by:
 AP
 Scale:
 AS NOTED

Sheet:
303

FIELD VERIFY ALL DIMENSIONS PRIOR TO FABRICATION



B2 B2
304 SCALE: 3/8" = 1 FT.
 QTY: 4
 ARCH. REF.: A8.1/2
 SYSTEM: KAWNEER 1600 WALL SYSTEM 1 (6" DEPTH)
 FINISH: CUSTOM

GLASS LEGEND	
GL01	1" O.A. INSULATED UNITS - CLEAR
GL02	1" O.A. INSULATED UNITS - OPAQUE

FIELD VERIFY ALL DIMENSIONS PRIOR TO FABRICATION

Submittal/Revision	Description	By	Date
1			

Project Name
 NIDO & MARIANA QUBEIN
 CHILDREN'S MUSEUM
 Location
 HIGH POINT, NC
 Architect

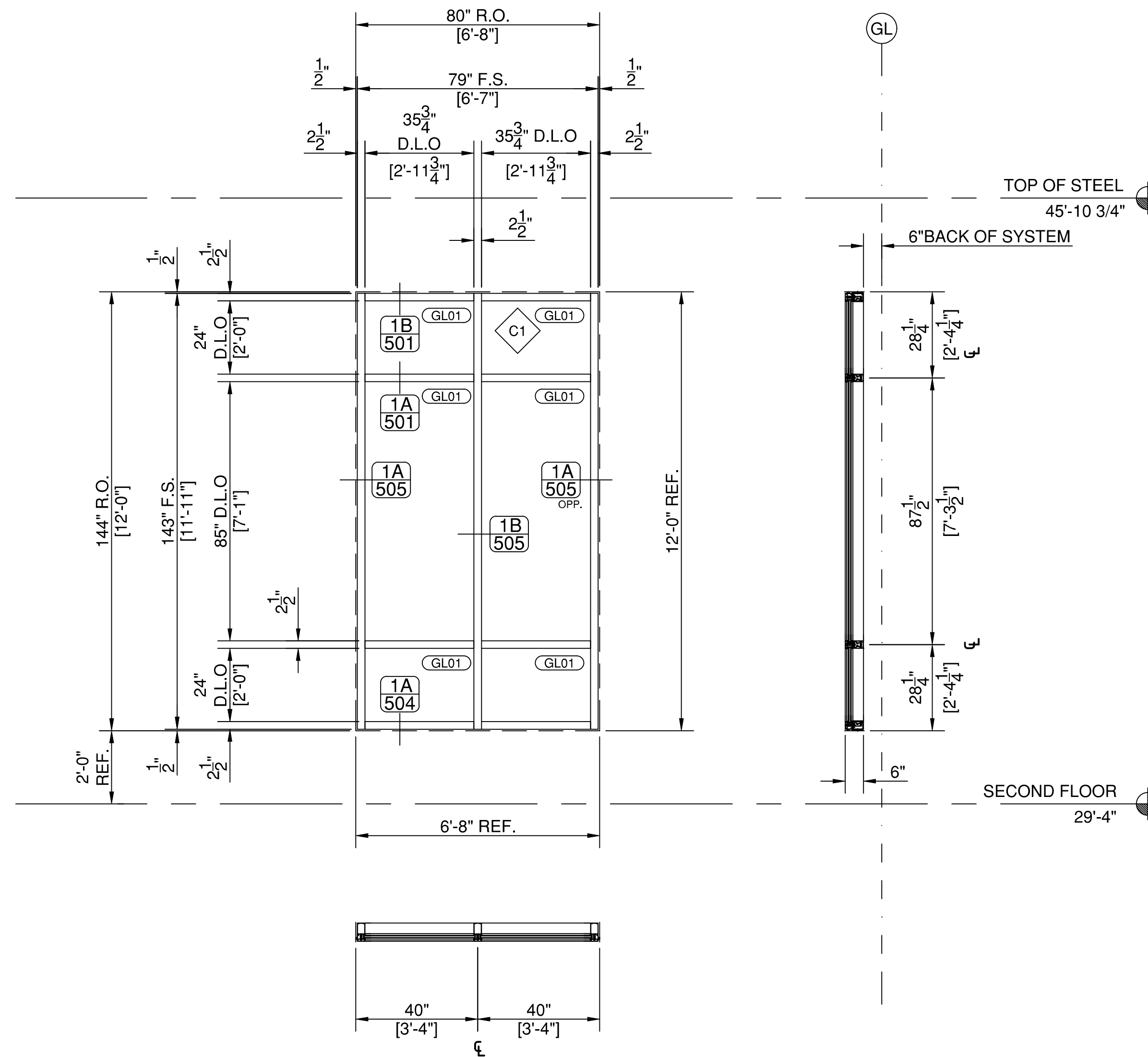
Location
 HIGH POINT, NC
 General Contractor

Location
 Drawing Title
 ELEVATION

Date:
 9/22/2020
 Drawn by:
 AP
 Scale:
 AS NOTED

Sheet:
304

FIELD VERIFY ALL DIMENSIONS PRIOR TO FABRICATION



C1
305 C1
 SCALE: 3/8" = 1 FT.
 QTY: 1
 ARCH. REF.: A8.1/3
 SYSTEM: KAWNEER 1600 WALL SYSTEM 1 (6" DEPTH)
 FINISH: CUSTOM

FIELD VERIFY ALL DIMENSIONS PRIOR TO FABRICATION

GLASS LEGEND	
GL01	1" O.A. INSULATED UNITS - CLEAR
GL02	1" O.A. INSULATED UNITS - OPAQUE

Submittal/Revision	Description	By	Date	Sub. No.	Rev. No.
1					

Project Name
 NIDO & MARIANA QUBEIN
 CHILDREN'S MUSEUM
 Location
 HIGH POINT, NC
 Architect

Location
 HIGH POINT, NC
 General Contractor

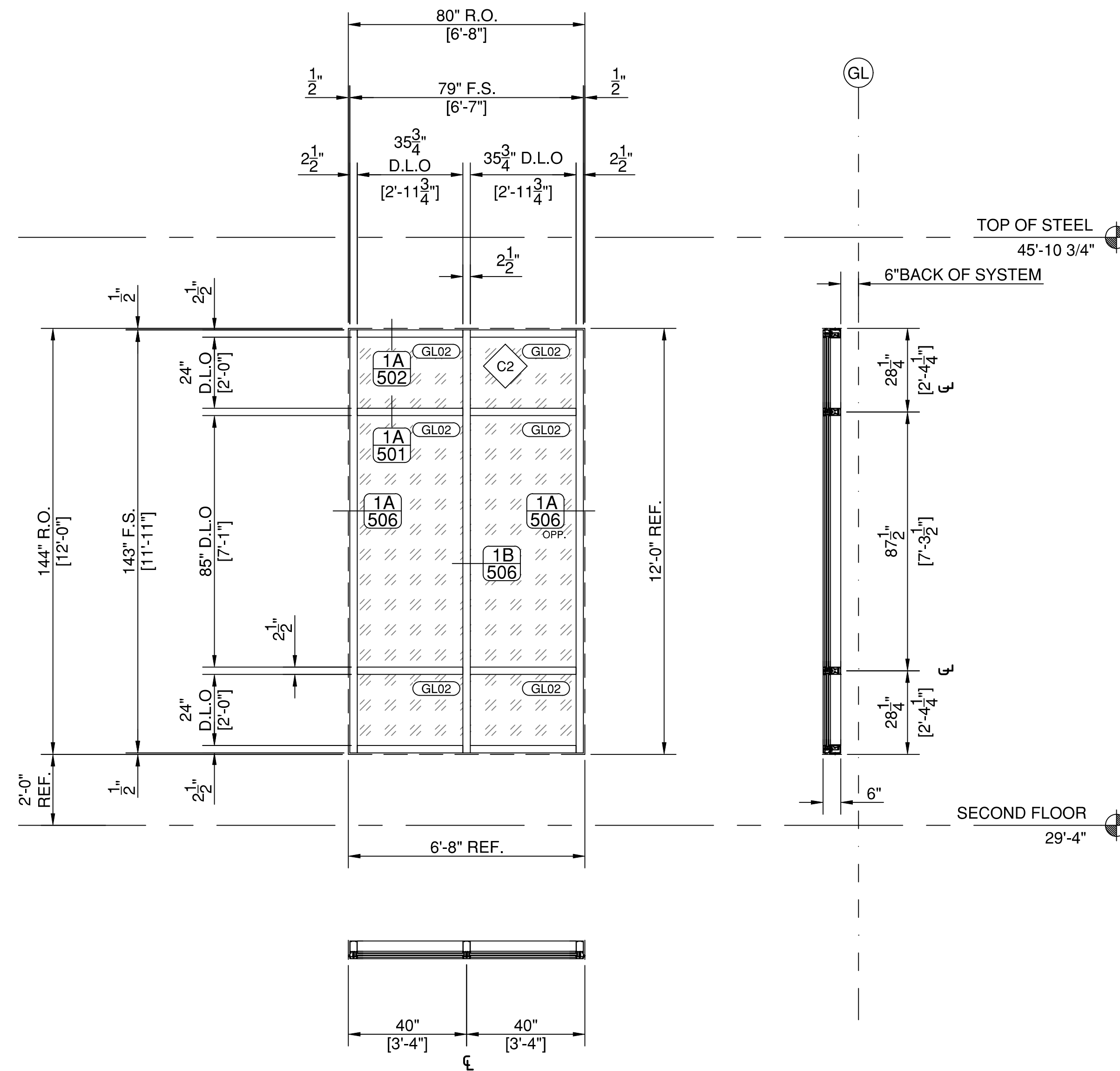
Location

Drawing Title
 ELEVATION

Date:
 9/22/2020
 Drawn by:
 AP
 Scale:
 AS NOTED

Sheet:
305

FIELD VERIFY ALL DIMENSIONS PRIOR TO FABRICATION



C2
306 C2
 SCALE: 3/8" = 1 FT.
 QTY: 1
 ARCH. REF.: A8.1/3
 SYSTEM: KAWNEER 1600 WALL SYSTEM 1 (6" DEPTH)
 FINISH: CUSTOM

FIELD VERIFY ALL DIMENSIONS PRIOR TO FABRICATION

GLASS LEGEND	
GL01	1" O.A. INSULATED UNITS - CLEAR
GL02	1" O.A. INSULATED UNITS - OPAQUE

Submittal/Revision	Description	By	Date	Sub. No.	Rev. No.
1					

Project Name
 NIDO & MARIANA QUBEIN
 CHILDREN'S MUSEUM
 Location
 HIGH POINT, NC
 Architect

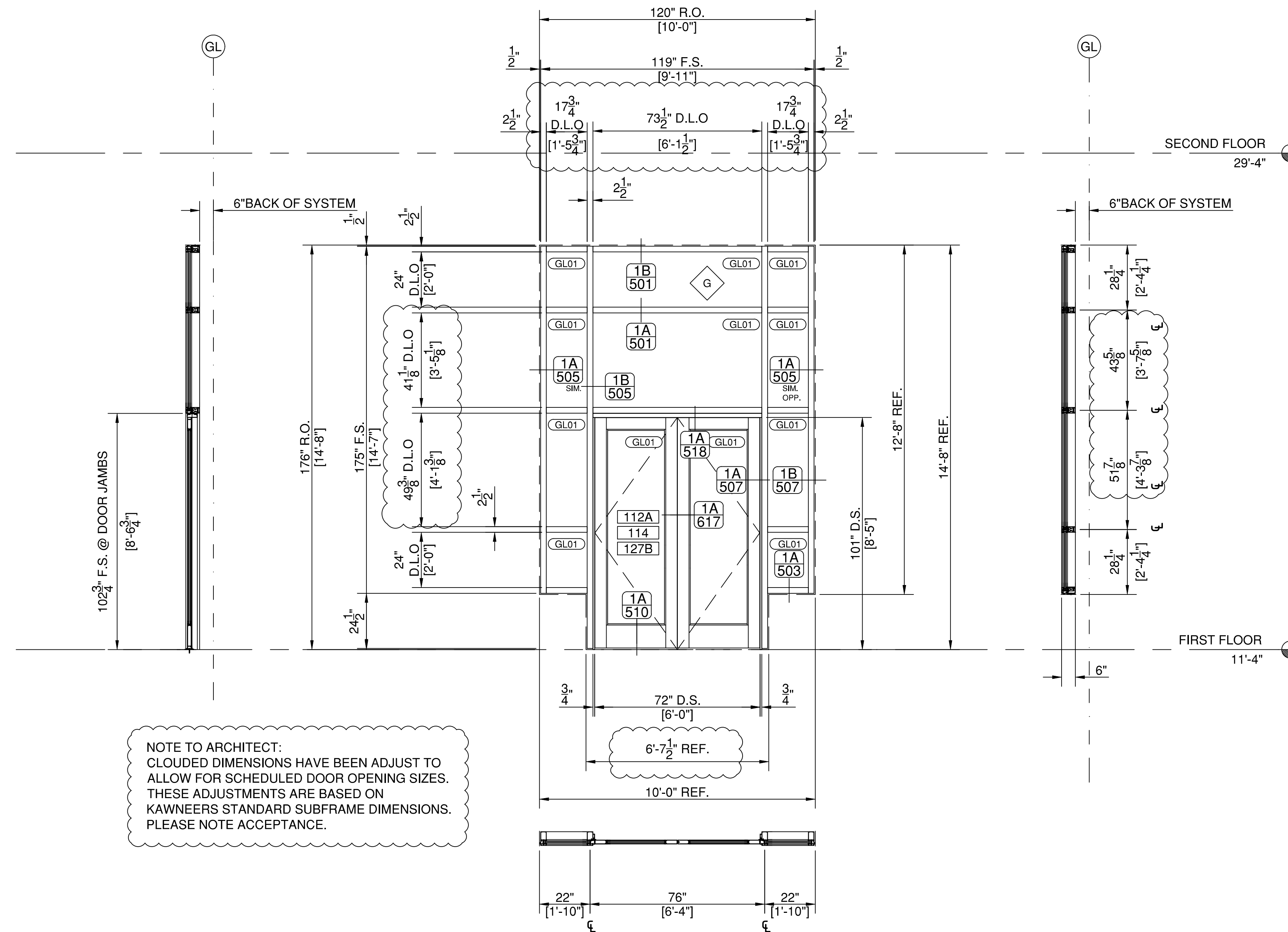
Location
 HIGH POINT, NC
 General Contractor

Location
 Drawing Title
 ELEVATION

Date:
 9/22/2020
 Drawn by:
 AP
 Scale:
 AS NOTED

Sheet:
306

FIELD VERIFY ALL DIMENSIONS PRIOR TO FABRICATION



NOTE TO ARCHITECT:
CLOUDED DIMENSIONS HAVE BEEN ADJUST TO
ALLOW FOR SCHEDULED DOOR OPENING SIZES.
THESE ADJUSTMENTS ARE BASED ON
KAWNEERS STANDARD SUBFRAME DIMENSIONS.
PLEASE NOTE ACCEPTANCE.

G
307 WINDOW - "G"
SCALE: 3/8" = 1 FT.
QTY: 3
ARCH. REF.: A8.2/4
SYSTEM: KAWNEER 1600 WALL SYSTEM 1 (6" DEPTH)
FINISH: CUSTOM

GLASS LEGEND	
GL01	1" O.A. INSULATED UNITS - CLEAR
GL02	1" O.A. INSULATED UNITS - OPAQUE

FIELD VERIFY ALL DIMENSIONS PRIOR TO FABRICATION

Submittal/Revision	Description	By	Date
1			

Project Name
NIDO & MARIANA QUBEIN
CHILDREN'S MUSEUM
Location
HIGH POINT, NC
Architect

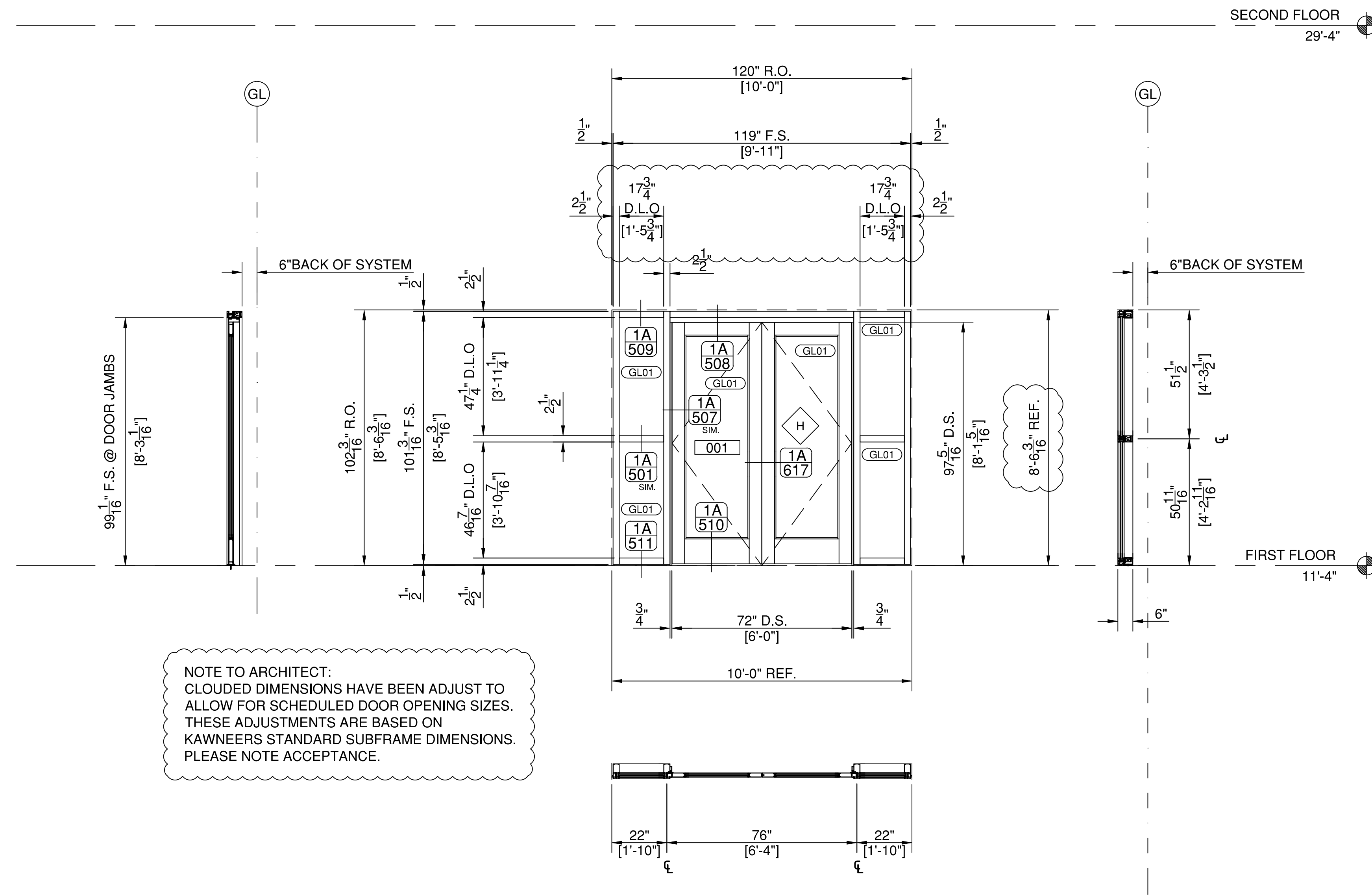
Location
HIGH POINT, NC
General Contractor

Location
Drawing Title
ELEVATION

Date:
9/22/2020
Drawn by:
AP
Scale:
AS NOTED

Sheet:
307

FIELD VERIFY ALL DIMENSIONS PRIOR TO FABRICATION



NOTE TO ARCHITECT:
CLOUDED DIMENSIONS HAVE BEEN ADJUST TO ALLOW FOR SCHEDULED DOOR OPENING SIZES. THESE ADJUSTMENTS ARE BASED ON KAWNEERS STANDARD SUBFRAME DIMENSIONS. PLEASE NOTE ACCEPTANCE.

H
308 WINDOW - "H"
SCALE: 3/8" = 1 FT.
QTY: 1
ARCH. REF.: A8.2/5
SYSTEM: KAWNEER 1600 WALL SYSTEM 1 (6" DEPTH)
FINISH: CUSTOM

GLASS LEGEND	
GL01	1" O.A. INSULATED UNITS - CLEAR
GL02	1" O.A. INSULATED UNITS - OPAQUE

FIELD VERIFY ALL DIMENSIONS PRIOR TO FABRICATION

Sub. No.	Rev. No.	Date	By	Description
1				

Project Name
NIDO & MARIANA QUBEIN
CHILDREN'S MUSEUM
Location
HIGH POINT, NC
Architect

Location
HIGH POINT, NC
General Contractor

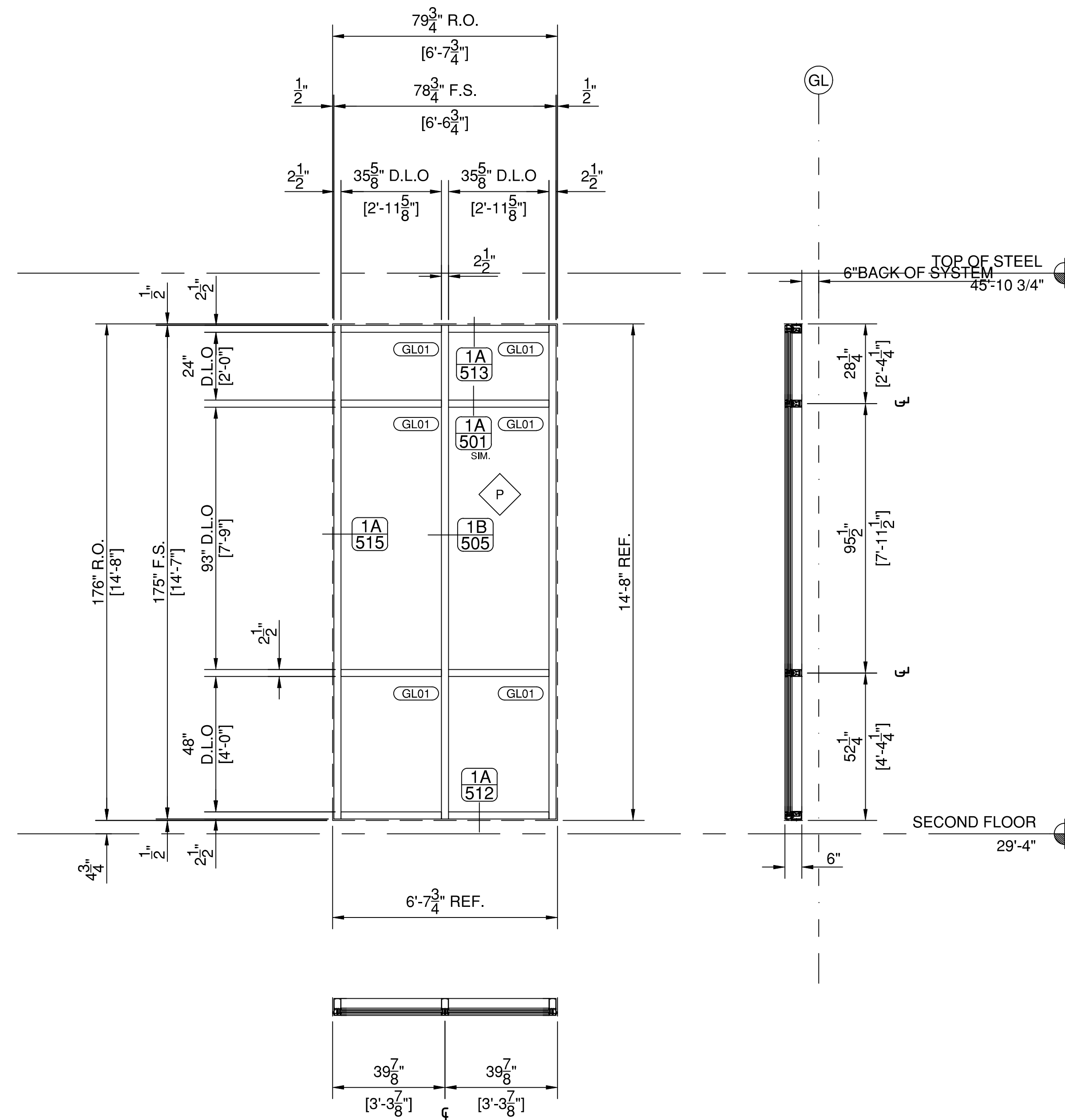
Location

Drawing Title
ELEVATION

Date:
9/22/2020
Drawn by:
AP
Scale:
AS NOTED

Sheet:
308

FIELD VERIFY ALL DIMENSIONS PRIOR TO FABRICATION



P
309 WINDOW "P"
 SCALE: 3/8" = 1 FT.
 QTY: 3
 ARCH. REF.: A8.5/1
 SYSTEM: KAWNEER 1600 WALL SYSTEM 1 (6" DEPTH)
 FINISH: CUSTOM

FIELD VERIFY ALL DIMENSIONS PRIOR TO FABRICATION

GLASS LEGEND	
GL01	1" O.A. INSULATED UNITS - CLEAR
GL02	1" O.A. INSULATED UNITS - OPAQUE

Submittal/Revision	Description	By	Date
1			

Project Name
 NIDO & MARIANA QUBEIN
 CHILDREN'S MUSEUM
 Location
 HIGH POINT, NC
 Architect

Location
 HIGH POINT, NC
 General Contractor

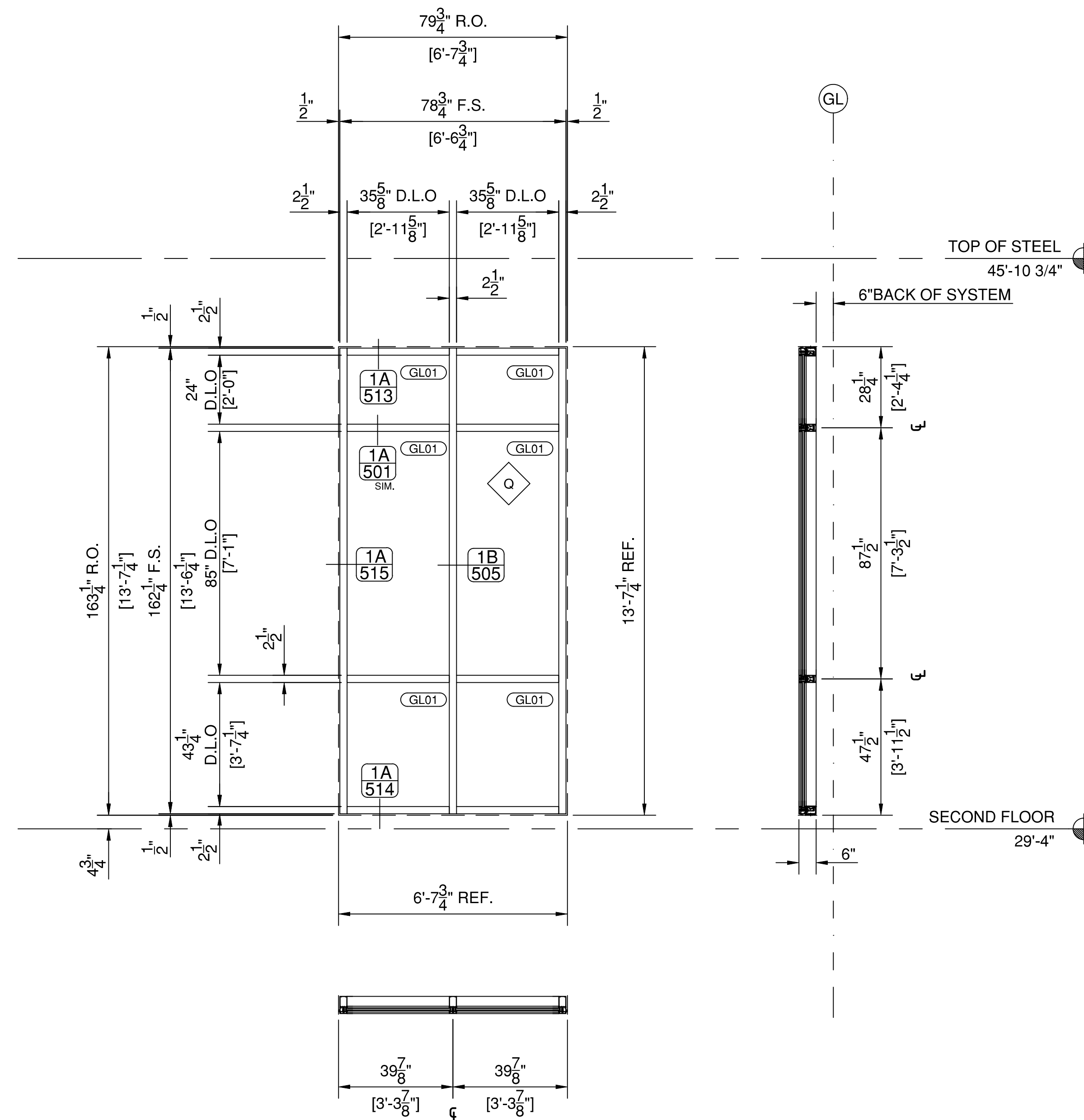
Location

Drawing Title
 ELEVATION

Date:
 9/22/2020
 Drawn by:
 AP
 Scale:
 AS NOTED

Sheet:
309

FIELD VERIFY ALL DIMENSIONS PRIOR TO FABRICATION



Q
310 WINDOW "Q"
 SCALE: 3/8" = 1 FT.
 QTY: 3
 ARCH. REF.: A8.5/1
 SYSTEM: KAWNEER 1600 WALL SYSTEM 1 (6" DEPTH)
 FINISH: CUSTOM

FIELD VERIFY ALL DIMENSIONS PRIOR TO FABRICATION

GLASS LEGEND	
GL01	1" O.A. INSULATED UNITS - CLEAR
GL02	1" O.A. INSULATED UNITS - OPAQUE

Sub. No.	Rev. No.	Date	By	Submittal/Revision Description
1				

Project Name
 NIDO & MARIANA QUBEIN
 CHILDREN'S MUSEUM
 Location
 HIGH POINT, NC
 Architect

Location
 HIGH POINT, NC
 General Contractor

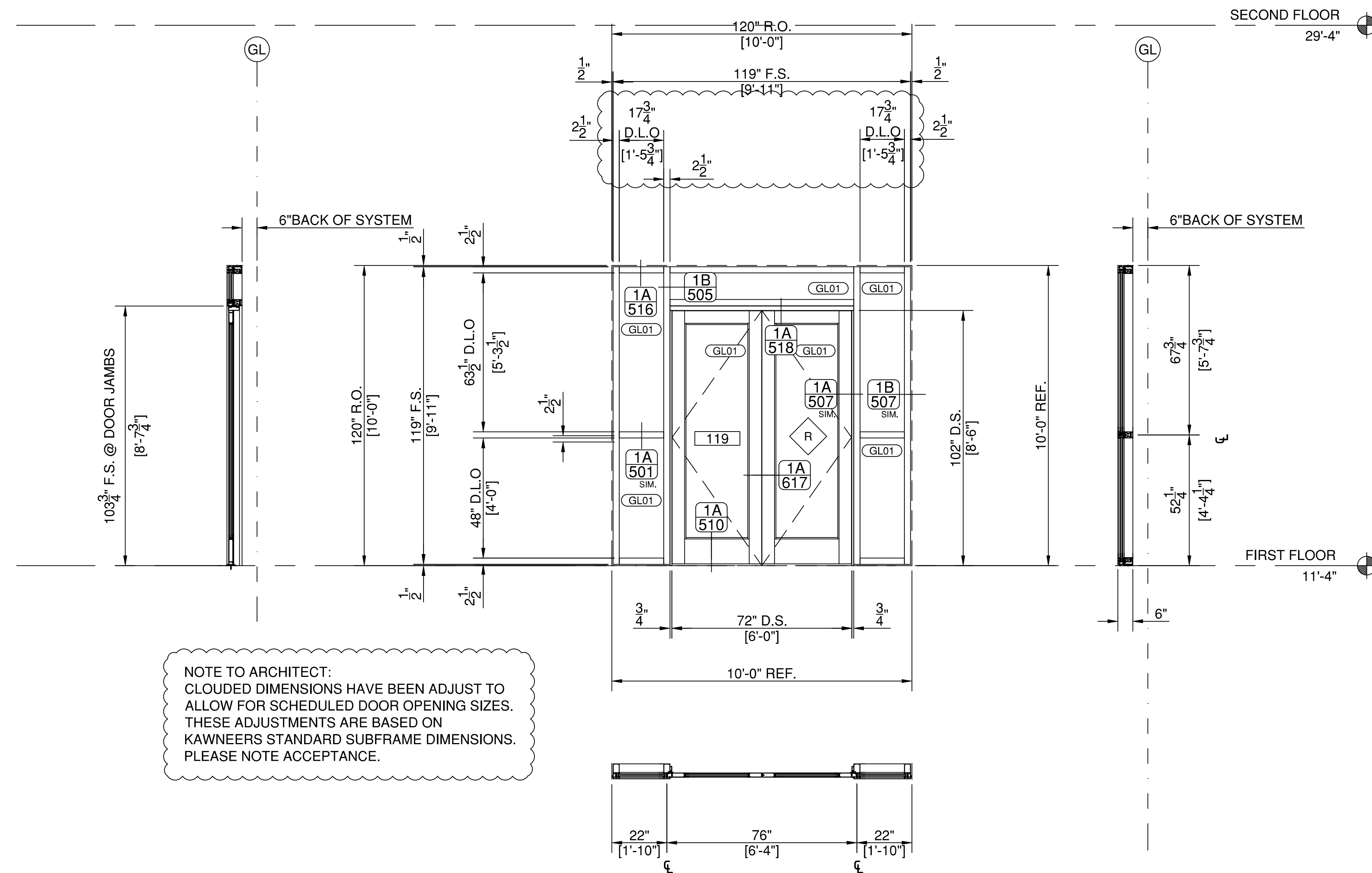
Location

Drawing Title
 ELEVATION

Date:
 9/22/2020
 Drawn by:
 AP
 Scale:
 AS NOTED

Sheet:
310

FIELD VERIFY ALL DIMENSIONS PRIOR TO FABRICATION



NOTE TO ARCHITECT:
CLOUDED DIMENSIONS HAVE BEEN ADJUST TO ALLOW FOR SCHEDULED DOOR OPENING SIZES. THESE ADJUSTMENTS ARE BASED ON KAWNEERS STANDARD SUBFRAME DIMENSIONS. PLEASE NOTE ACCEPTANCE.

R
311 WINDOW - "R"
SCALE: 3/8" = 1 FT.
QTY: 1
ARCH. REF.: A8.6/4
SYSTEM: KAWNEER 1600 WALL SYSTEM 1 (6" DEPTH)
FINISH: CUSTOM

GLASS LEGEND	
GL01	1" O.A. INSULATED UNITS - CLEAR
GL02	1" O.A. INSULATED UNITS - OPAQUE

FIELD VERIFY ALL DIMENSIONS PRIOR TO FABRICATION

Sub. No.	Rev. No.	Date	By	Submittal/Revision Description
1				

Project Name
NIDO & MARIANA QUBEIN
CHILDREN'S MUSEUM
Location
HIGH POINT, NC
Architect

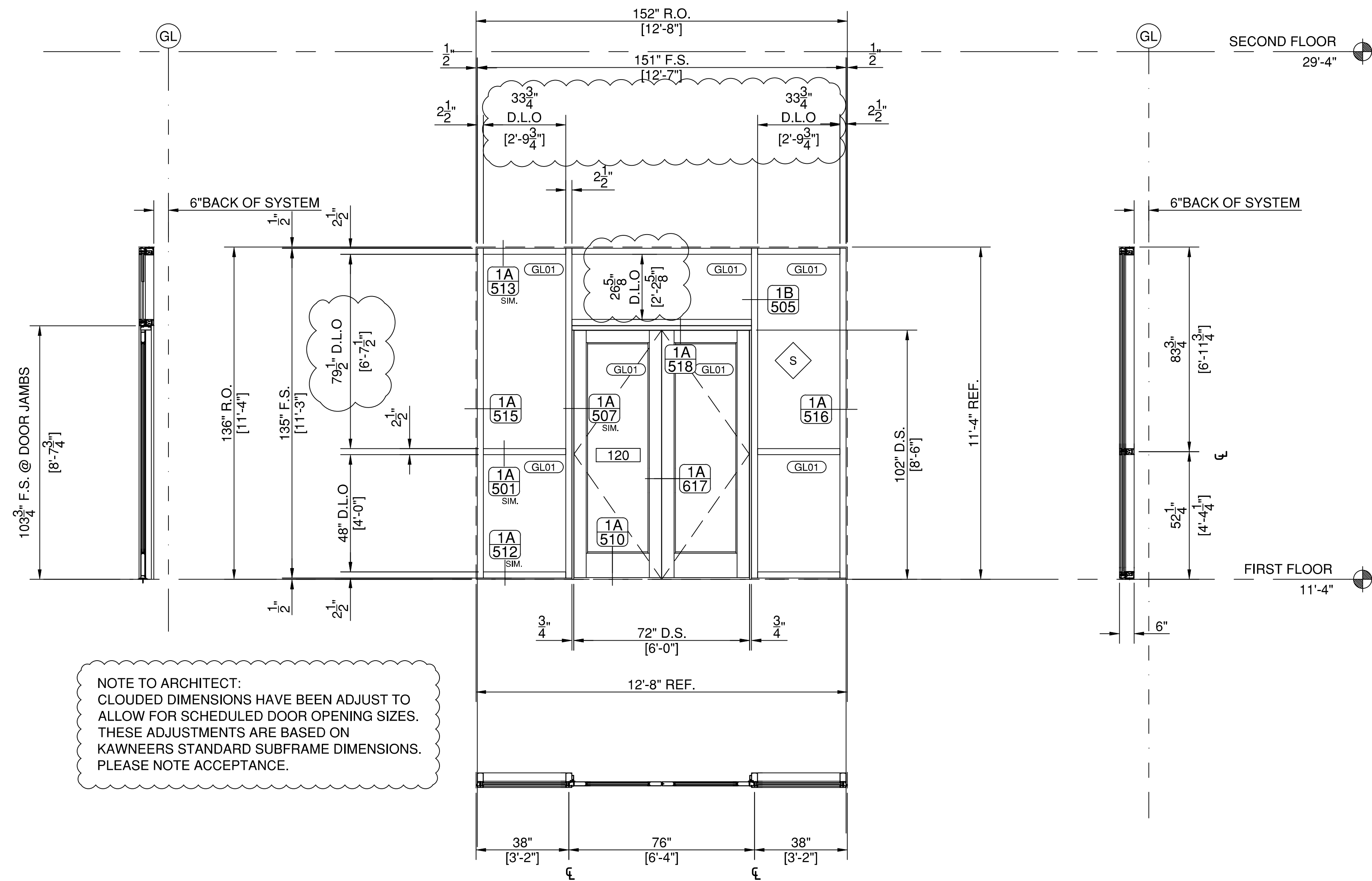
Location
HIGH POINT, NC
General Contractor

Location
Drawing Title
ELEVATION

Date:
9/22/2020
Drawn by:
AP
Scale:
AS NOTED

Sheet:
311

FIELD VERIFY ALL DIMENSIONS PRIOR TO FABRICATION



NOTE TO ARCHITECT:
CLOUDED DIMENSIONS HAVE BEEN ADJUST TO ALLOW FOR SCHEDULED DOOR OPENING SIZES. THESE ADJUSTMENTS ARE BASED ON KAWNEERS STANDARD SUBFRAME DIMENSIONS. PLEASE NOTE ACCEPTANCE.

S WINDOW - "S"
312 SCALE: 3/8" = 1 FT.
 QTY: 1
 ARCH. REF.: A8.6/2
 SYSTEM: KAWNEER 1600 WALL SYSTEM 1 (6" DEPTH)
 FINISH: CUSTOM

GLASS LEGEND	
GL01	1" O.A. INSULATED UNITS - CLEAR
GL02	1" O.A. INSULATED UNITS - OPAQUE

FIELD VERIFY ALL DIMENSIONS PRIOR TO FABRICATION

Sub. No.	Rev. No.	Date	By	Description
1				

Project Name
 NIDO & MARIANA QUBEIN
 CHILDREN'S MUSEUM
 Location
 HIGH POINT, NC
 Architect

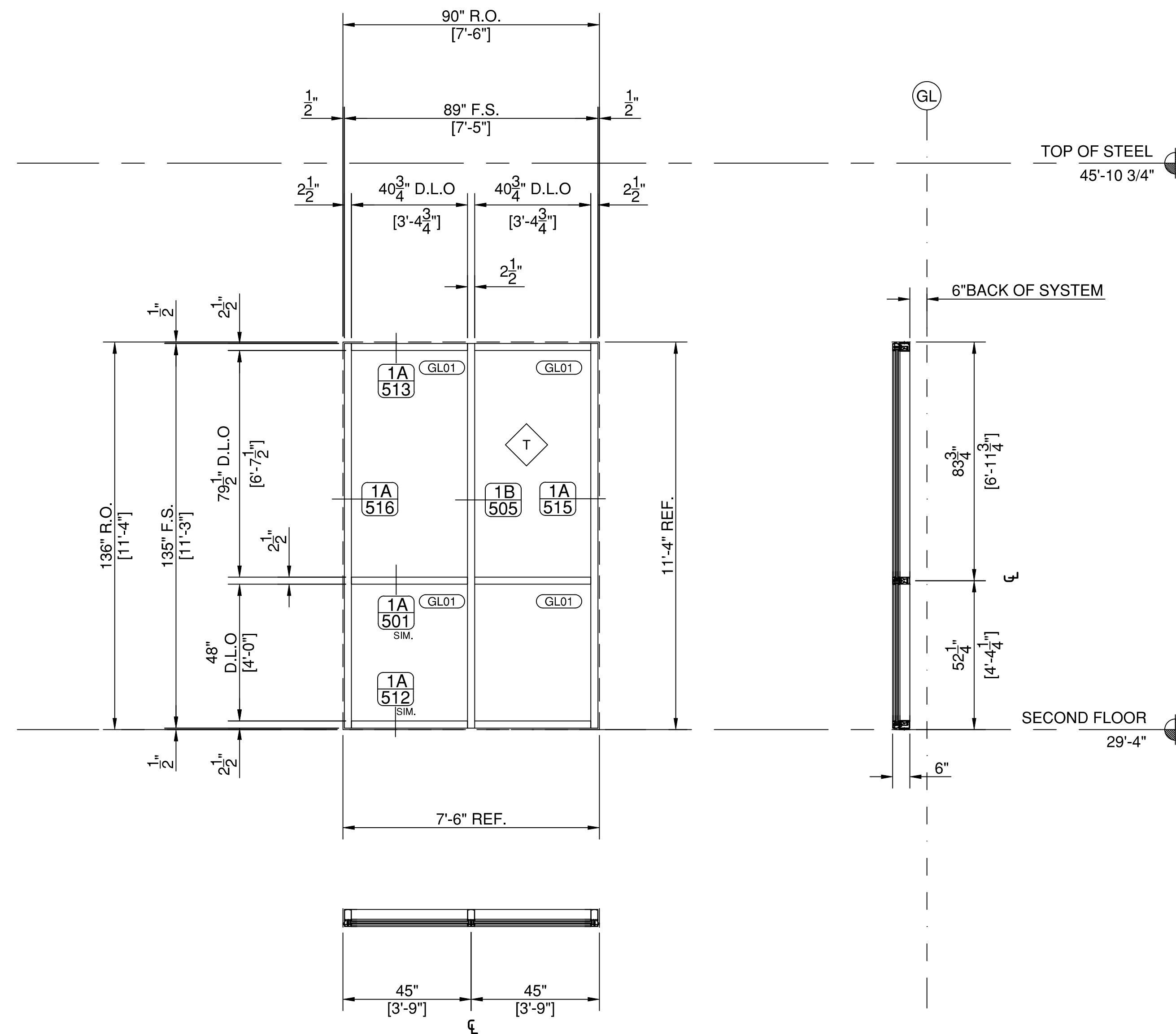
Location
 HIGH POINT, NC
 General Contractor

Location
 Drawing Title
 ELEVATION

Date:
 9/22/2020
 Drawn by:
 AP
 Scale:
 AS NOTED

Sheet:
312

FIELD VERIFY ALL DIMENSIONS PRIOR TO FABRICATION



T
313 WINDOW "T"
 SCALE: 3/8" = 1 FT.
 QTY: 1
 ARCH. REF.: A8.6/3
 SYSTEM: KAWNEER 1600 WALL SYSTEM 1 (6" DEPTH)
 FINISH: CUSTOM

GLASS LEGEND	
GL01	1" O.A. INSULATED UNITS - CLEAR
GL02	1" O.A. INSULATED UNITS - OPAQUE

FIELD VERIFY ALL DIMENSIONS PRIOR TO FABRICATION

Sub. No.	Rev. No.	Date	By	Submittal/Revision Description
1				

Project Name
 NIDO & MARIANA QUBEIN
 CHILDREN'S MUSEUM
 Location
 HIGH POINT, NC
 Architect

Location
 HIGH POINT, NC
 General Contractor

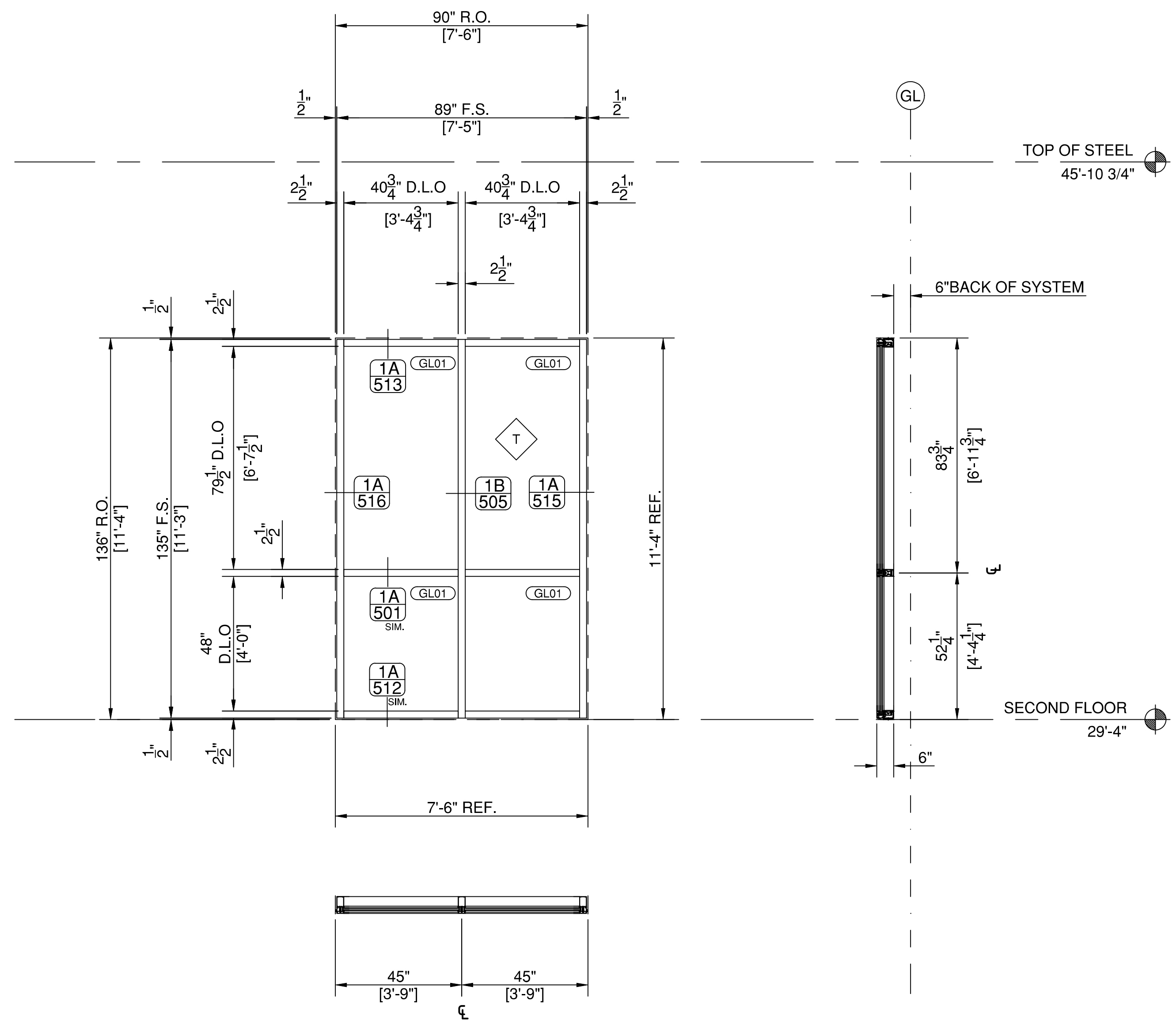
Location

Drawing Title
 ELEVATION

Date:
 9/22/2020
 Drawn by:
 AP
 Scale:
 AS NOTED

Sheet:
313

FIELD VERIFY ALL DIMENSIONS PRIOR TO FABRICATION



T WINDOW "T"
313 SCALE: 3/8" = 1 FT.
 QTY: 1
 ARCH. REF.: A8.6/3
 SYSTEM: KAWNEER 1600 WALL SYSTEM 1 (6" DEPTH)
 FINISH: CUSTOM

FIELD VERIFY ALL DIMENSIONS PRIOR TO FABRICATION

GLASS LEGEND	
GL01	1" O.A. INSULATED UNITS - CLEAR
GL02	1" O.A. INSULATED UNITS - OPAQUE

Sub. No.	Rev. No.	Date	By	Submittal/Revision Description
1				

Project Name
 NIDO & MARIANA QUBEIN
 CHILDREN'S MUSEUM
 Location
 HIGH POINT, NC
 Architect

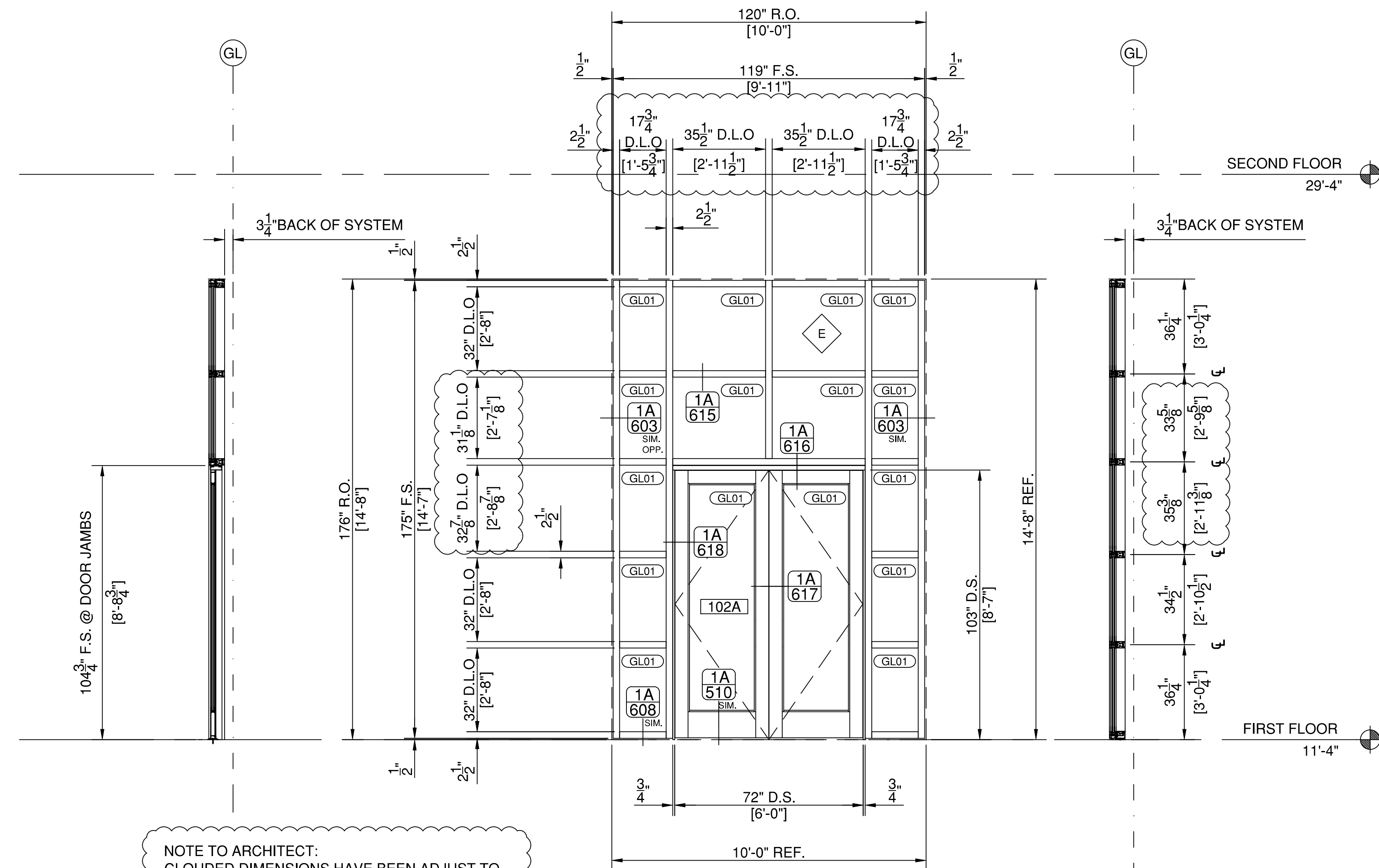
Location
 HIGH POINT, NC
 General Contractor

Location
 Drawing Title
 ELEVATION

Date:
 9/22/2020
 Drawn by:
 AP
 Scale:
 AS NOTED

Sheet:
314

FIELD VERIFY ALL DIMENSIONS PRIOR TO FABRICATION



NOTE TO ARCHITECT:
CLOUDED DIMENSIONS HAVE BEEN ADJUSTED TO ALLOW FOR SCHEDULED DOOR OPENING SIZES. THESE ADJUSTMENTS ARE BASED ON KAWNEERS STANDARD SUBFRAME DIMENSIONS. PLEASE NOTE ACCEPTANCE.

E
401 WINDOW - "E"
SCALE: 3/8" = 1 FT.
QTY: 1
ARCH. REF.: A8.2/2
SYSTEM: KAWNEER 1600 WALL SYSTEM 1 (7-1/2" DEPTH)
FINISH: CUSTOM

GLASS LEGEND	
GL01	1" O.A. INSULATED UNITS - CLEAR
GL02	1" O.A. INSULATED UNITS - OPAQUE

FIELD VERIFY ALL DIMENSIONS PRIOR TO FABRICATION

Submittal/Revision	Description	By	Date
1			

Project Name
NIDO & MARIANA QUBEIN
CHILDREN'S MUSEUM
Location
HIGH POINT, NC
Architect

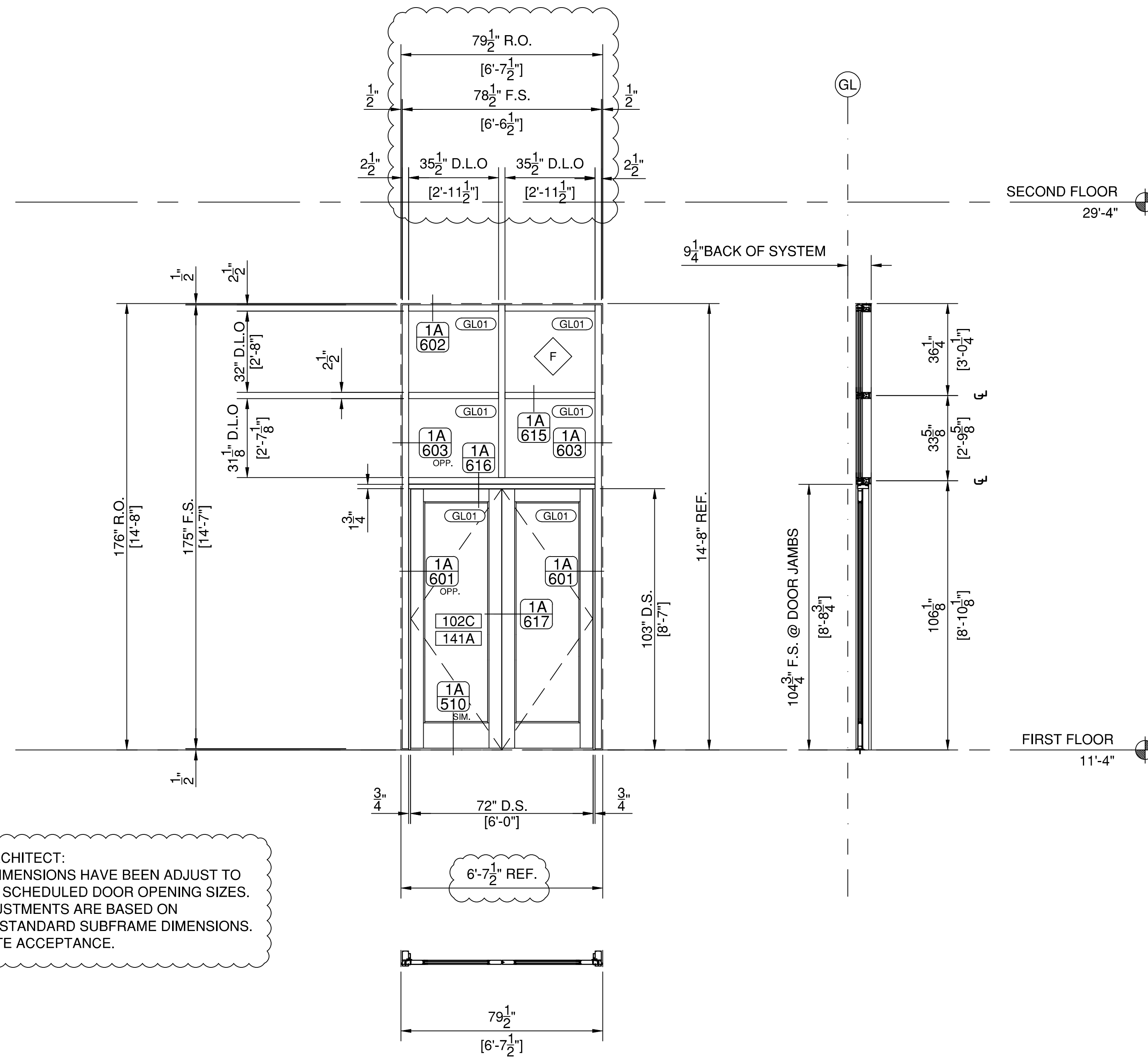
Location
HIGH POINT, NC
General Contractor

Location
Drawing Title
ELEVATION

Date:
9/22/2020
Drawn by:
AP
Scale:
AS NOTED

Sheet:
401

FIELD VERIFY ALL DIMENSIONS PRIOR TO FABRICATION



NOTE TO ARCHITECT:
CLOUDED DIMENSIONS HAVE BEEN ADJUST TO ALLOW FOR SCHEDULED DOOR OPENING SIZES. THESE ADJUSTMENTS ARE BASED ON KAWNEERS STANDARD SUBFRAME DIMENSIONS. PLEASE NOTE ACCEPTANCE.

F
402 WINDOW - "F"
SCALE: 3/8" = 1 FT.
QTY: 2
ARCH. REF.: A8.2/3
SYSTEM: KAWNEER 1600 WALL SYSTEM 1 (7-1/2" DEPTH)
FINISH: CUSTOM

GLASS LEGEND	
GL01	1" O.A. INSULATED UNITS - CLEAR
GL02	1" O.A. INSULATED UNITS - OPAQUE

FIELD VERIFY ALL DIMENSIONS PRIOR TO FABRICATION

Submittal/Revision	Description	By	Date
1			

Project Name
NIDO & MARIANA QUBEIN
CHILDREN'S MUSEUM
Location
HIGH POINT, NC
Architect

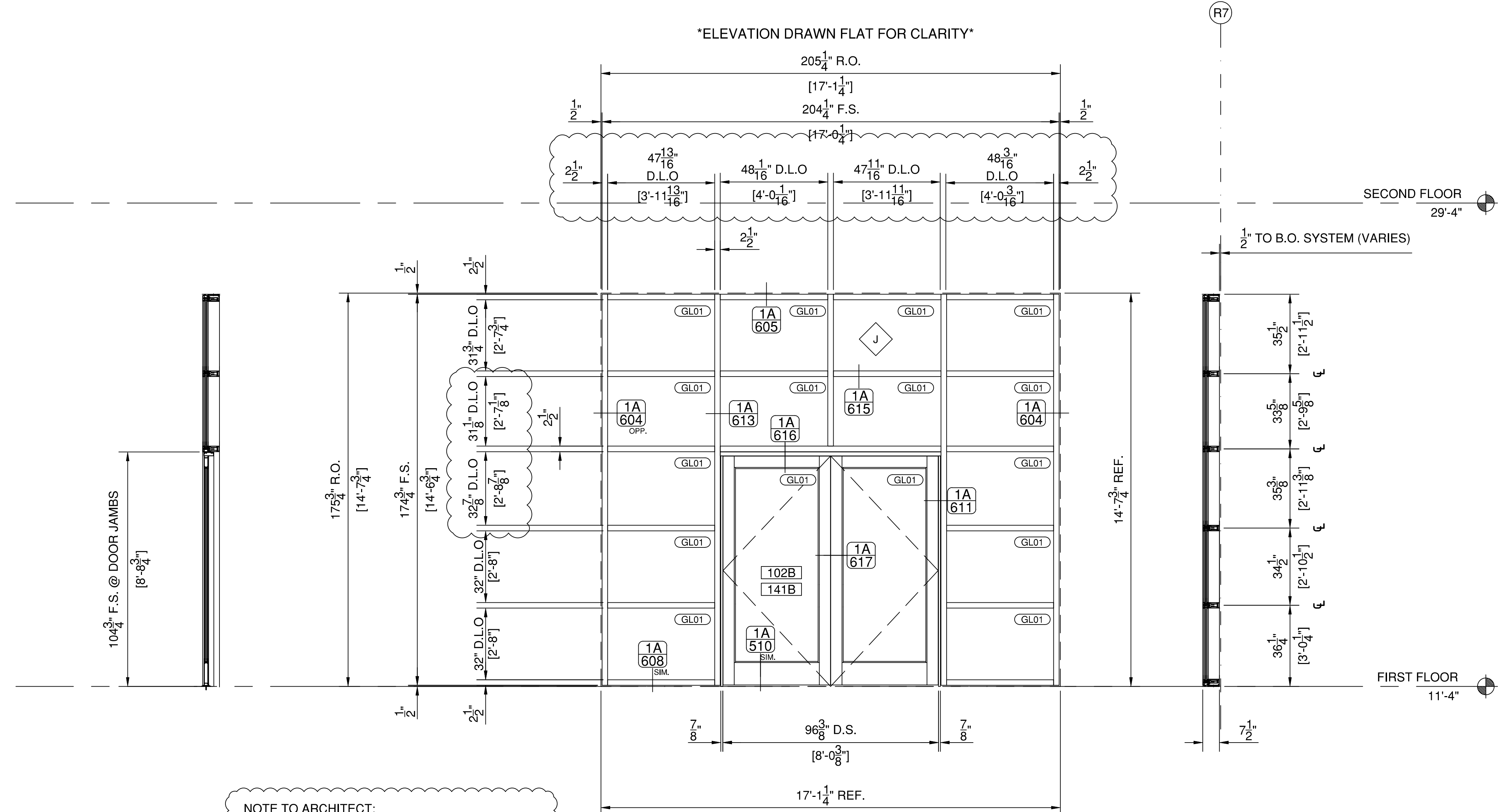
Location
HIGH POINT, NC
General Contractor

Location
Drawing Title
ELEVATION

Date:
9/22/2020
Drawn by:
AP
Scale:
AS NOTED

Sheet:
402

FIELD VERIFY ALL DIMENSIONS PRIOR TO FABRICATION



NOTE TO ARCHITECT:
 CLOUDED DIMENSIONS HAVE BEEN ADJUST TO
 ALLOW FOR SCHEDULED DOOR OPENING SIZES.
 THESE ADJUSTMENTS ARE BASED ON
 KAWNEERS STANDARD SUBFRAME DIMENSIONS.
 PLEASE NOTE ACCEPTANCE.

J
403 WINDOW - "J"
 SCALE: 3/8" = 1 FT.
 QTY: 2
 ARCH. REF.: A8.2/6
 SYSTEM: KAWNEER 1600 WALL SYSTEM 1 (7-1/2" DEPTH)
 FINISH: CUSTOM

GLASS LEGEND	
GL01	1" O.A. INSULATED UNITS - CLEAR
GL02	1" O.A. INSULATED UNITS - OPAQUE

FIELD VERIFY ALL DIMENSIONS PRIOR TO FABRICATION

Sub. No.	Rev. No.	Date	By	Submittal/Revision Description
1				

Project Name
 NIDO & MARIANA QUBEIN
 CHILDREN'S MUSEUM
 Location
 HIGH POINT, NC
 Architect

Location
 HIGH POINT, NC
 General Contractor

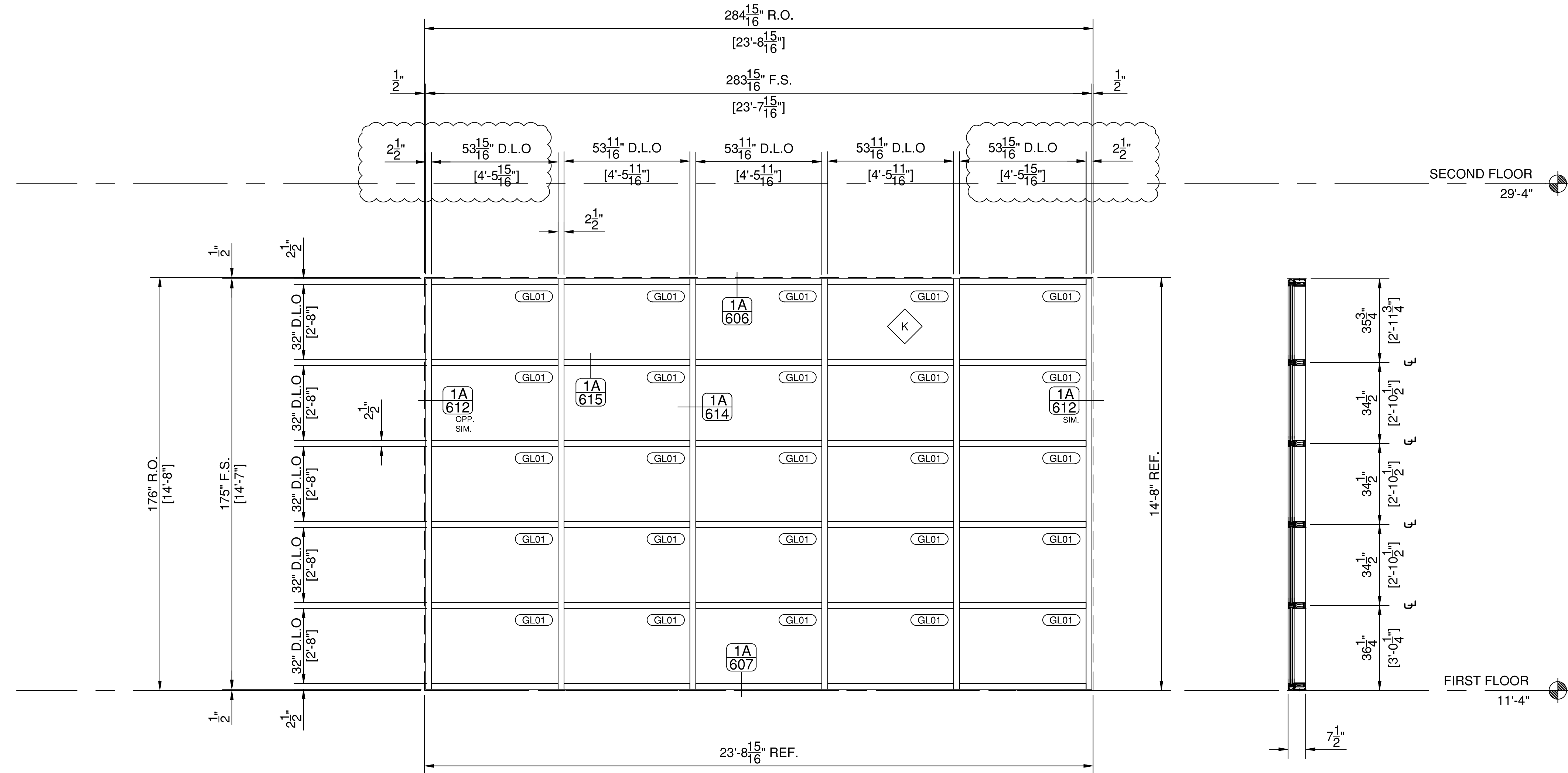
Location
 Drawing Title
 ELEVATION

Date:
 9/22/2020
 Drawn by:
 AP
 Scale:
 AS NOTED

Sheet:
403

FIELD VERIFY ALL DIMENSIONS PRIOR TO FABRICATION

ELEVATION DRAWN FLAT FOR CLARITY



NOTE:
CLOUDED DIMENSIONS HAVE BEEN ADJUST TO
ALLOW FOR SCHEDULED ROUGH OPENING WITH
TYPICAL 1/2" CAULK JOINT AT JAMBS AND HEAD.
PROVIDED ELEVATIONS SHOW 3/4".

90° 5-1/4" RADIUS (R6)
VERIFY IN FIELD

K
404 WINDOW - "K"
SCALE: 3/8" = 1 FT.
QTY: 2
ARCH. REF.: A8.4/1
SYSTEM: KAWNEER 1600 WALL SYSTEM 1 (7-1/2" DEPTH)
FINISH: CUSTOM

GLASS LEGEND	
GL01	1" O.A. INSULATED UNITS - CLEAR
GL02	1" O.A. INSULATED UNITS - OPAQUE

FIELD VERIFY ALL DIMENSIONS PRIOR TO FABRICATION

Submittal/Revision	Description	By	Date
1			

Project Name
NIDO & MARIANA QUBEIN
CHILDREN'S MUSEUM
Location
HIGH POINT, NC
Architect

Location
HIGH POINT, NC
General Contractor

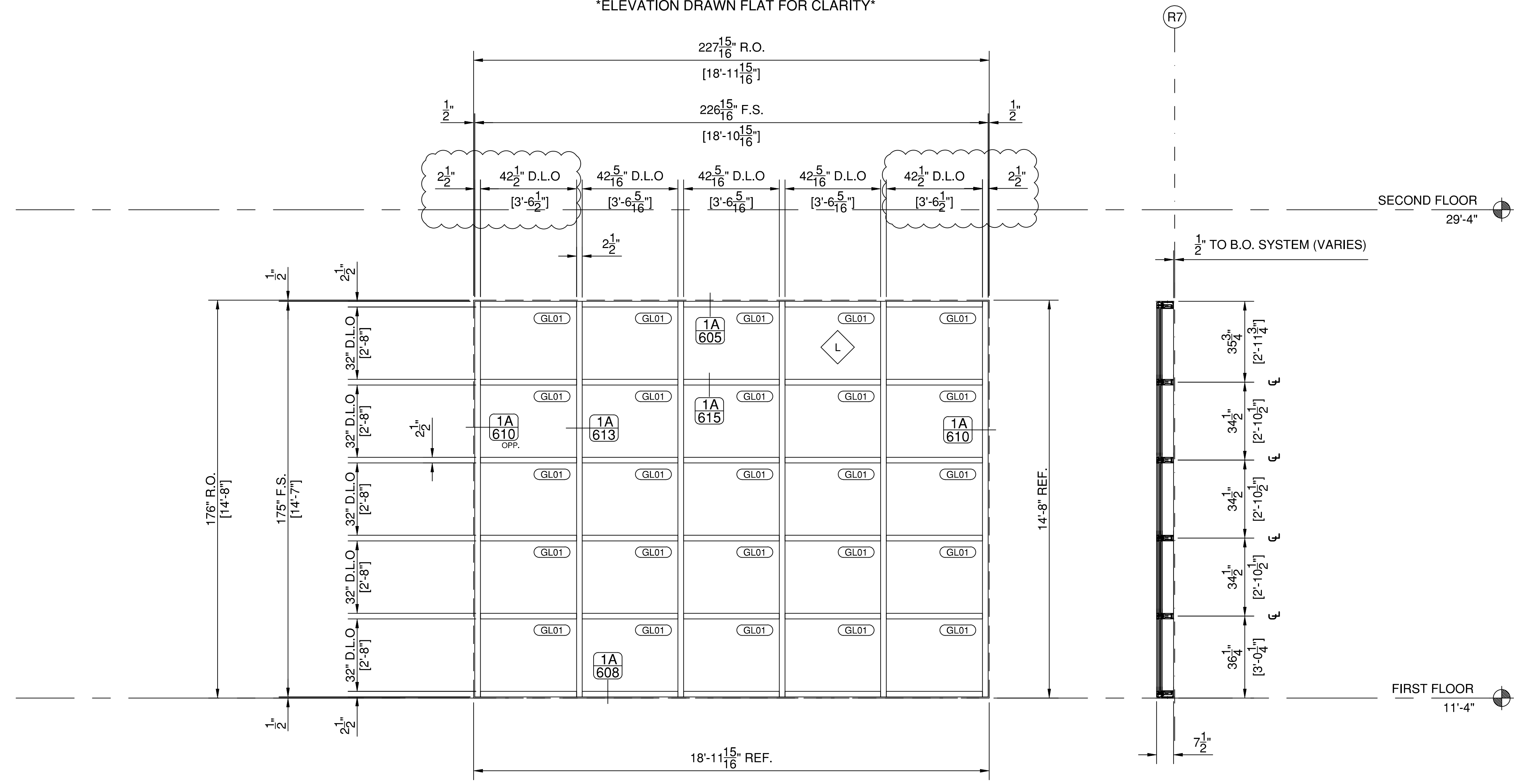
Location
Drawing Title
ELEVATION

Date:
9/22/2020
Drawn by:
AP
Scale:
AS NOTED

Sheet:
404

FIELD VERIFY ALL DIMENSIONS PRIOR TO FABRICATION

ELEVATION DRAWN FLAT FOR CLARITY



NOTE:
CLOUDED DIMENSIONS HAVE BEEN ADJUST TO ALLOW FOR SCHEDULED ROUGH OPENING WITH TYPICAL 1/2" CAULK JOINT AT JAMBS AND HEAD. PROVIDED ELEVATIONS SHOW 3/4".

L
405 WINDOW - "L"
SCALE: 3/8" = 1 FT.
QTY: 3
ARCH. REF.: A8.4/14
SYSTEM: KAWNEER 1600 WALL SYSTEM 1 (7-1/2" DEPTH)
FINISH: CUSTOM

FIELD VERIFY ALL DIMENSIONS PRIOR TO FABRICATION

GLASS LEGEND	
GL01	1" O.A. INSULATED UNITS - CLEAR
GL02	1" O.A. INSULATED UNITS - OPAQUE

Submittal/Revision	Description	By	Date
1			

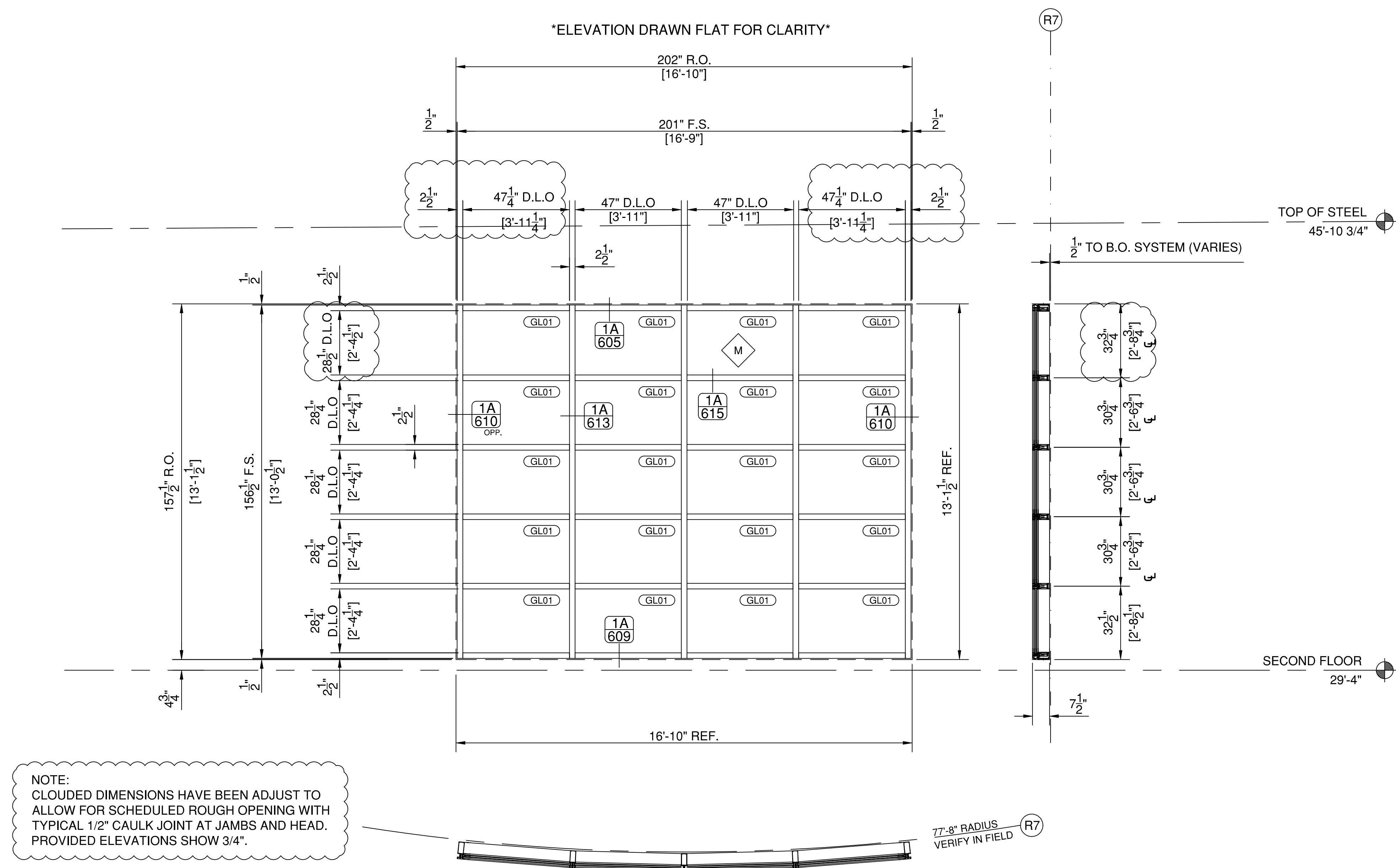
Project Name
NIDO & MARIANA QUBEIN
CHILDREN'S MUSEUM
Location
HIGH POINT, NC
Architect

Location
HIGH POINT, NC
General Contractor

Drawing Title
ELEVATION

Date:
9/22/2020
Sheet:
405
Drawn by:
AP
Scale:
AS NOTED

FIELD VERIFY ALL DIMENSIONS PRIOR TO FABRICATION



M
406 WINDOW - "M"
SCALE: 3/8" = 1 FT.
QTY: 2
ARCH. REF.: A8.4/12
SYSTEM: KAWNEER 1600 WALL SYSTEM 1 (7-1/2" DEPTH)
FINISH: CUSTOM

GLASS LEGEND	
GL01	1" O.A. INSULATED UNITS - CLEAR
GL02	1" O.A. INSULATED UNITS - OPAQUE

FIELD VERIFY ALL DIMENSIONS PRIOR TO FABRICATION

Submittal/Revision	Description	By	Date
1			

Project Name
NIDO & MARIANA QUBEIN
CHILDREN'S MUSEUM
Location
HIGH POINT, NC
Architect

Location
HIGH POINT, NC
General Contractor

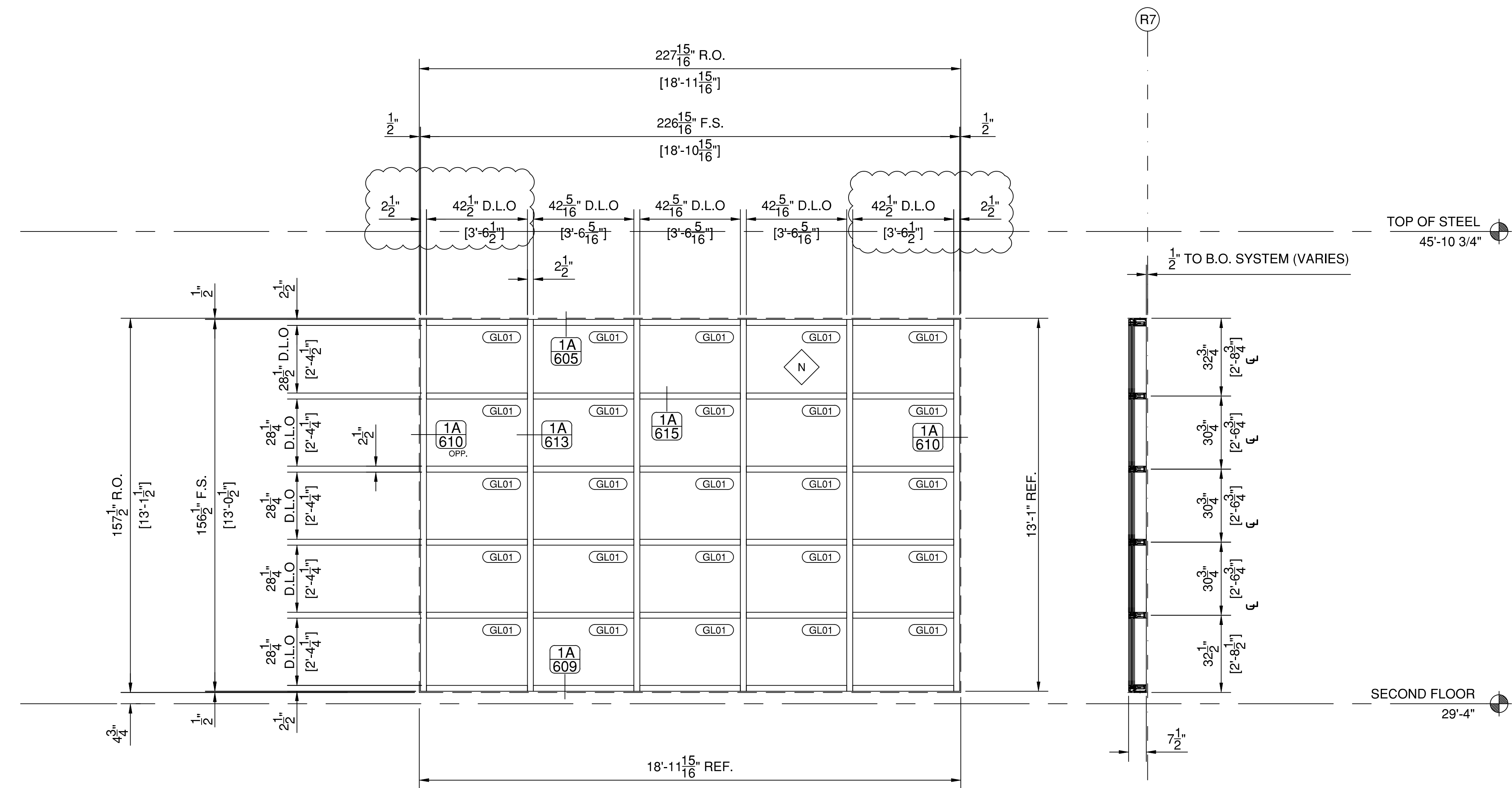
Location
Drawing Title
ELEVATION

Date:
9/22/2020
Drawn by:
AP
Scale:
AS NOTED

Sheet:
406

FIELD VERIFY ALL DIMENSIONS PRIOR TO FABRICATION

ELEVATION DRAWN FLAT FOR CLARITY



NOTE:
CLOUDED DIMENSIONS HAVE BEEN ADJUST TO
ALLOW FOR SCHEDULED ROUGH OPENING WITH
TYPICAL 1/2" CAULK JOINT AT JAMBS AND HEAD.
PROVIDED ELEVATIONS SHOW 3/4".

N
407 WINDOW - "N"
SCALE: 3/8" = 1 FT.
QTY: 3
ARCH. REF.: A8.4/13
SYSTEM: KAWNEER 1600 WALL SYSTEM 1 (7-1/2" DEPTH)
FINISH: CUSTOM

GLASS LEGEND	
GL01	1" O.A. INSULATED UNITS - CLEAR
GL02	1" O.A. INSULATED UNITS - OPAQUE

FIELD VERIFY ALL DIMENSIONS PRIOR TO FABRICATION

Submittal/Revision	Description	By	Date
1			

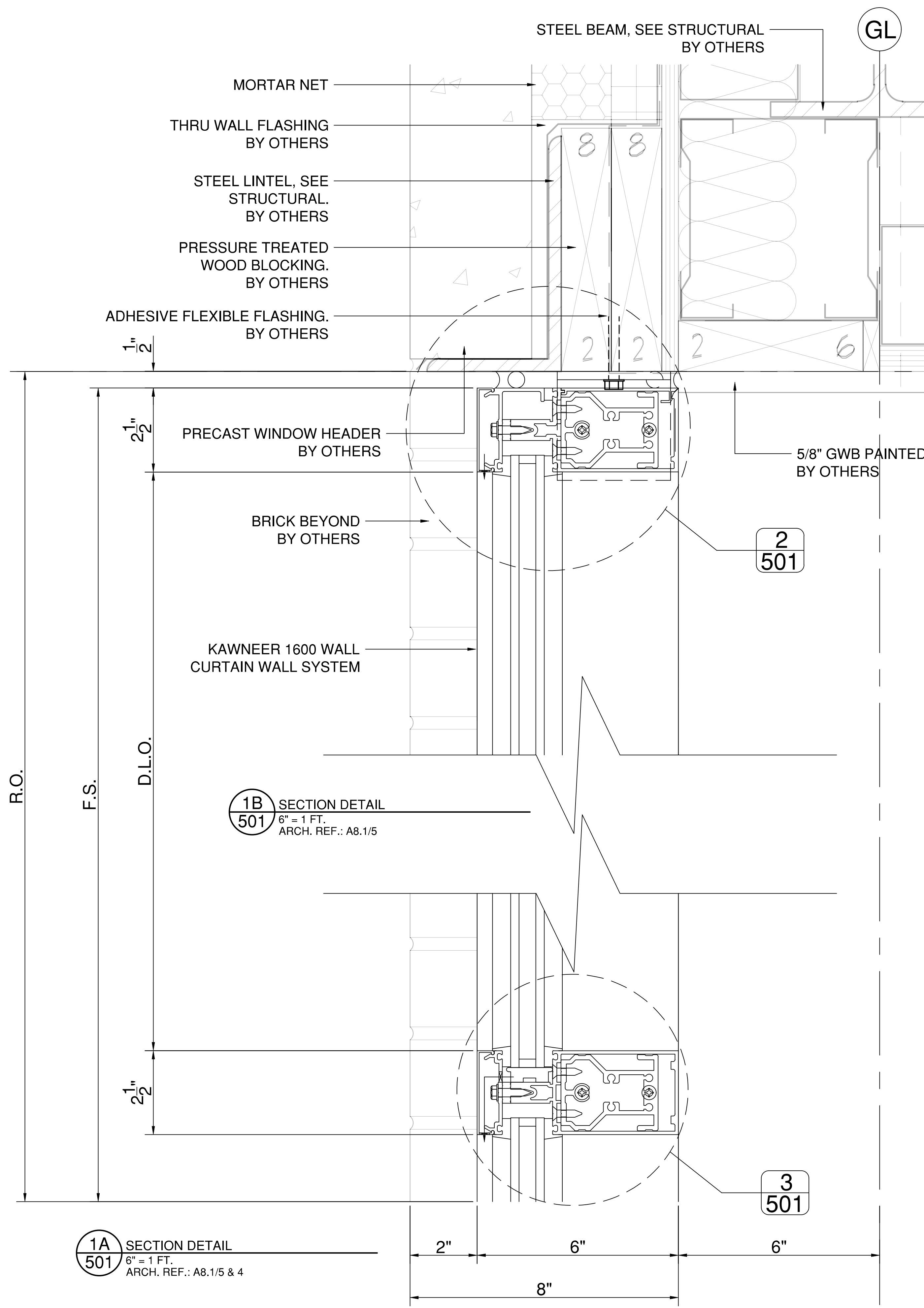
Project Name
NIDO & MARIANA QUBEIN
CHILDREN'S MUSEUM
Location
HIGH POINT, NC
Architect

Location
HIGH POINT, NC
General Contractor

Location
Drawing Title
ELEVATION

Date:
9/22/2020
Drawn by:
AP
Scale:
AS NOTED

Sheet:
407

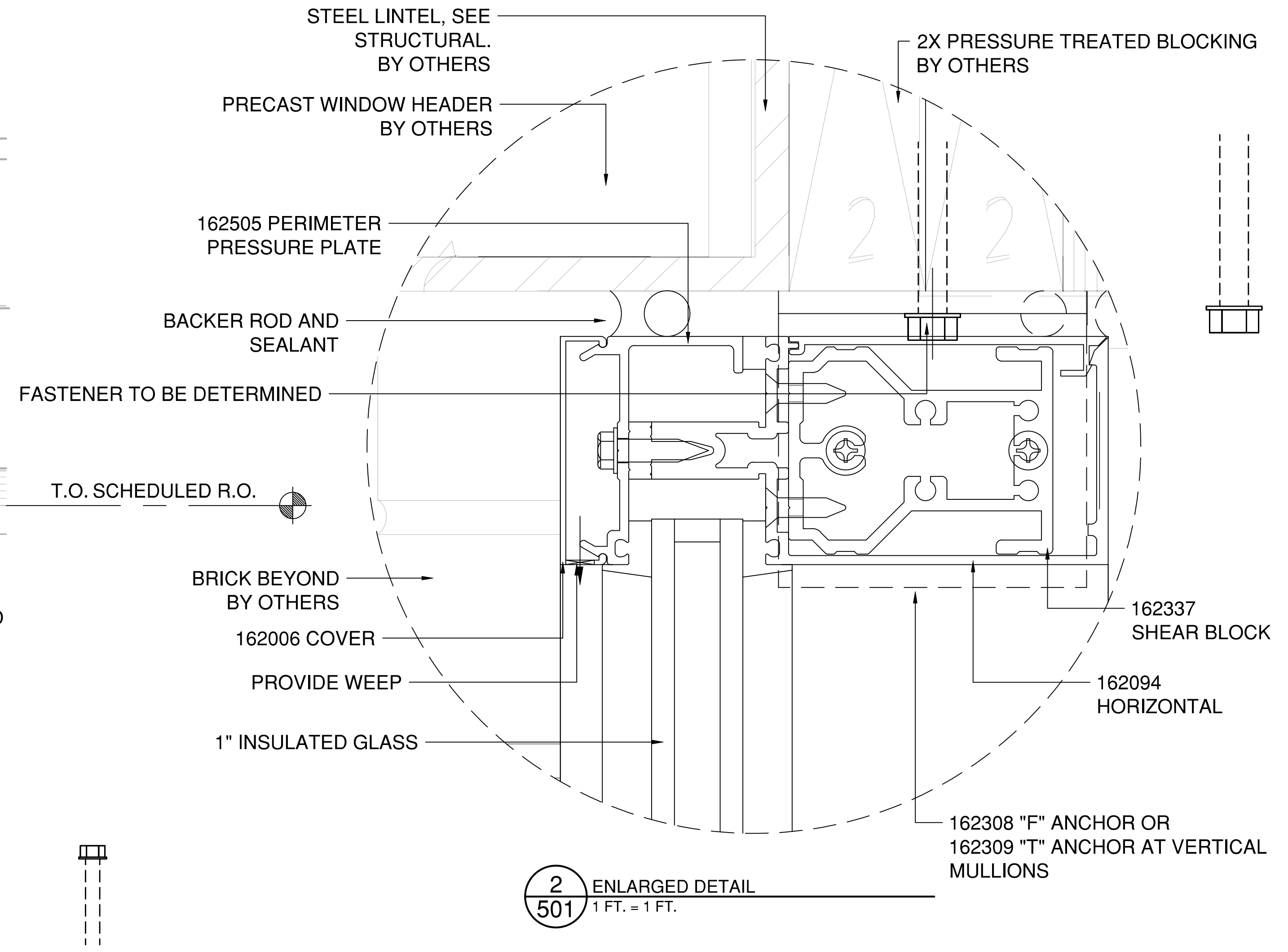


1A SECTION DETAIL
501 6" = 1 FT.
ARCH. REF.: A8.1/5 & 4

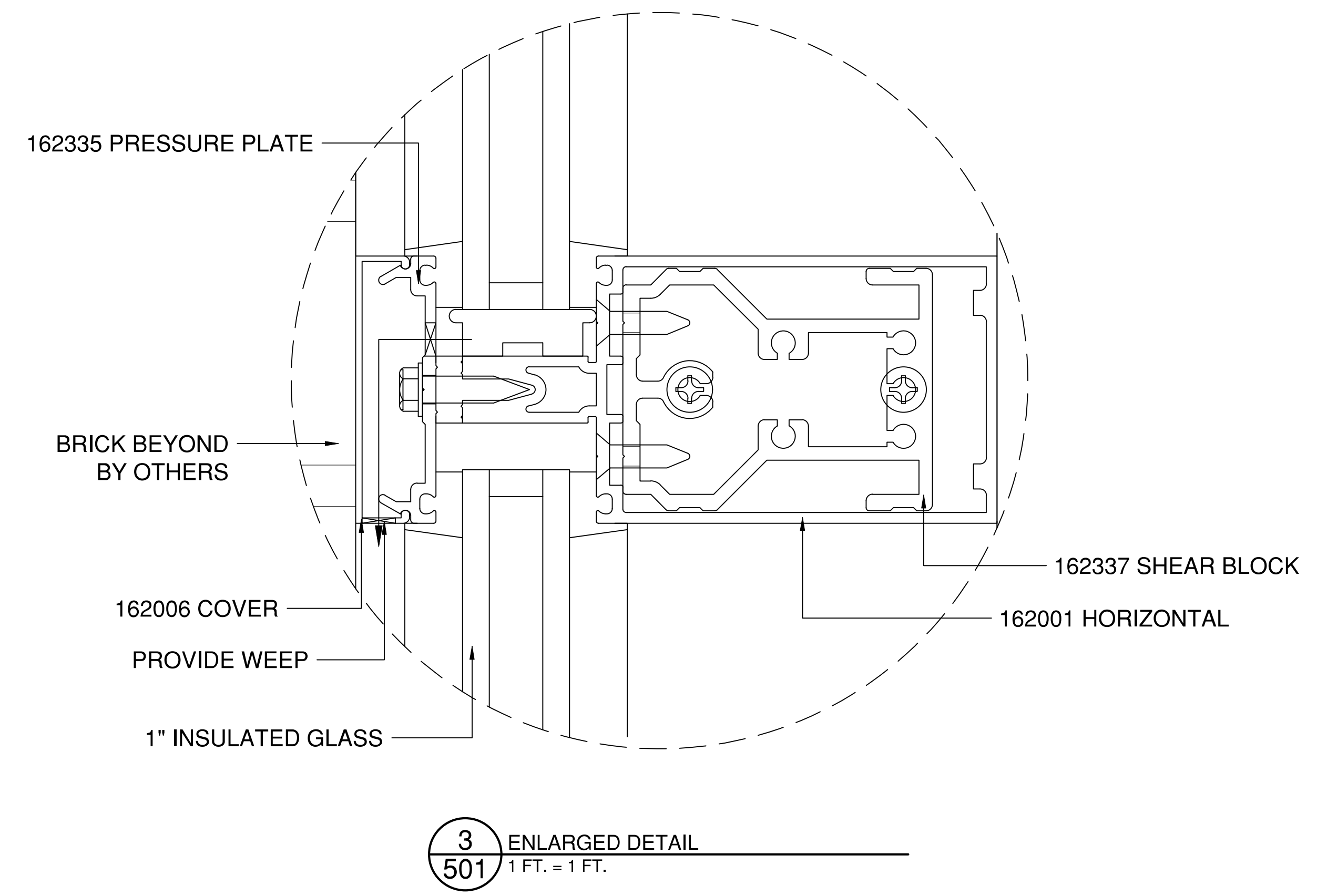
1B SECTION DETAIL
501 6" = 1 FT.
ARCH. REF.: A8.1/5

2
501

3
501



2 ENLARGED DETAIL
501 1 FT. = 1 FT.



3 ENLARGED DETAIL
501 1 FT. = 1 FT.

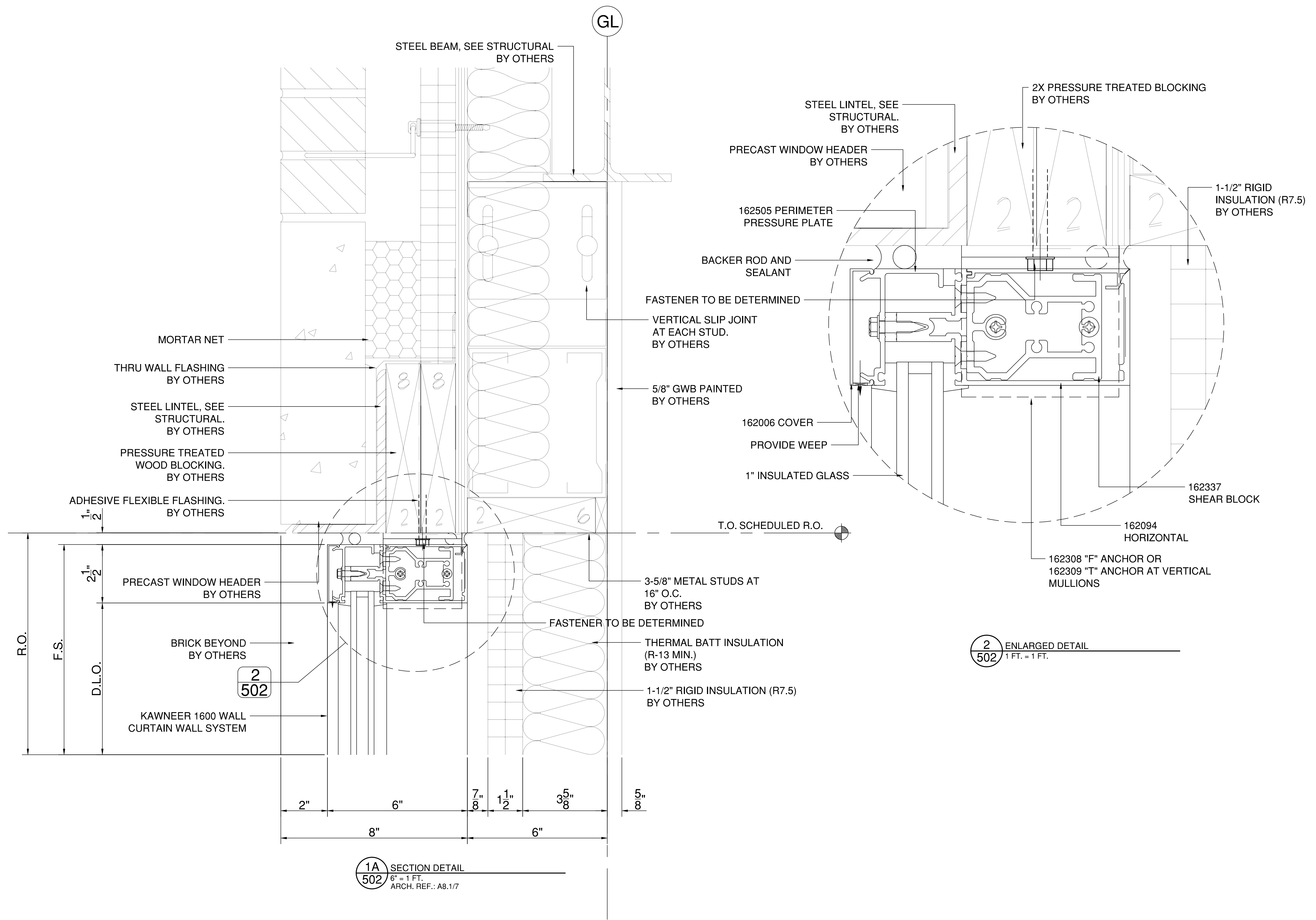
Submittal/Revision	Description	By	Date
1			

Project Name
NIDO & MARIANA QUBEIN
CHILDREN'S MUSEUM
Location
HIGH POINT, NC
Architect

Location
HIGH POINT, NC
General Contractor

Location
Drawing Title
1600 SYS. 6" DETAILS

Date:
9/22/2020
Sheet:
501
Drawn by:
AP
Scale:
AS NOTED



Submittal/Revision	Description	By	Date	Sub. No.	Rev. No.
1					

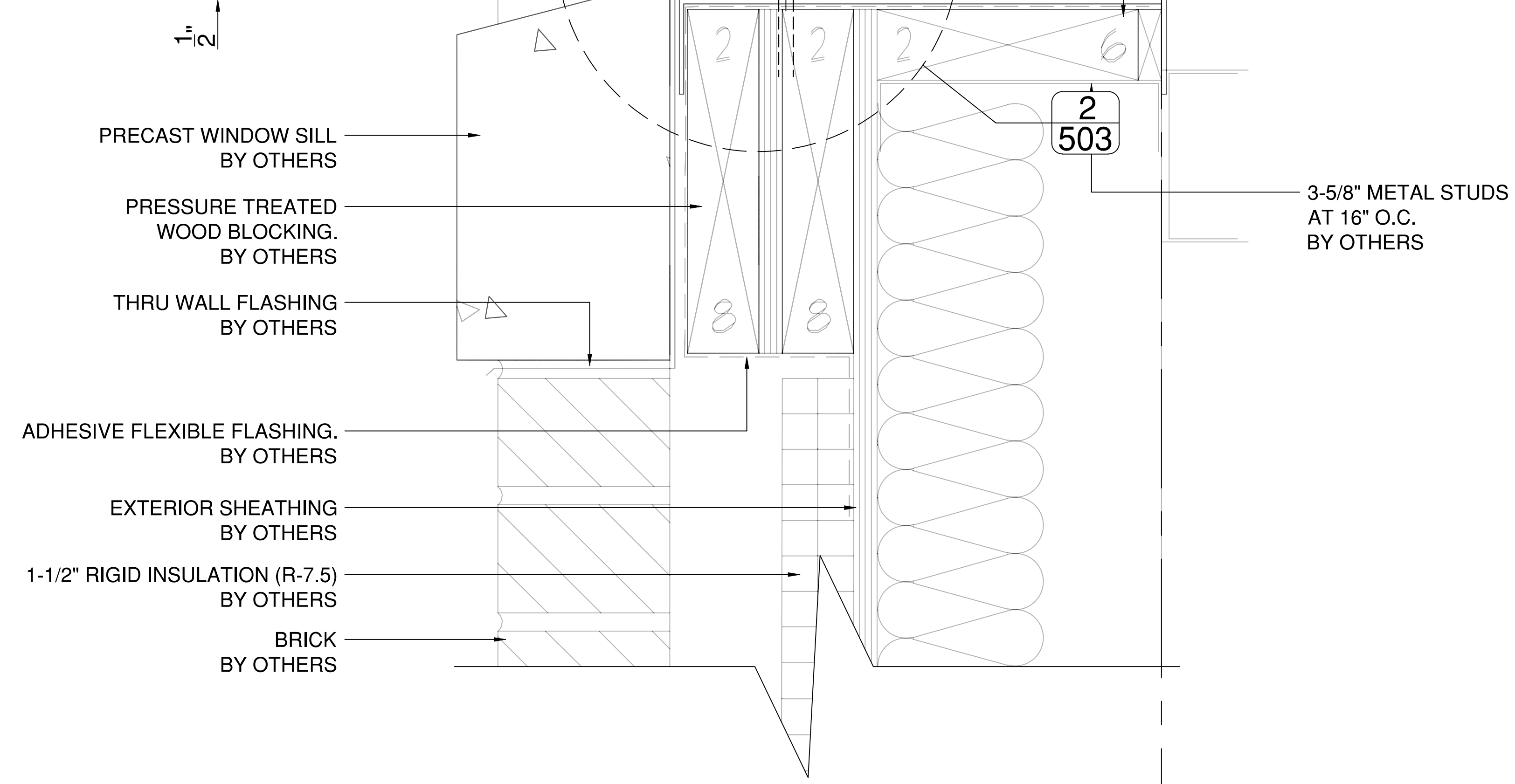
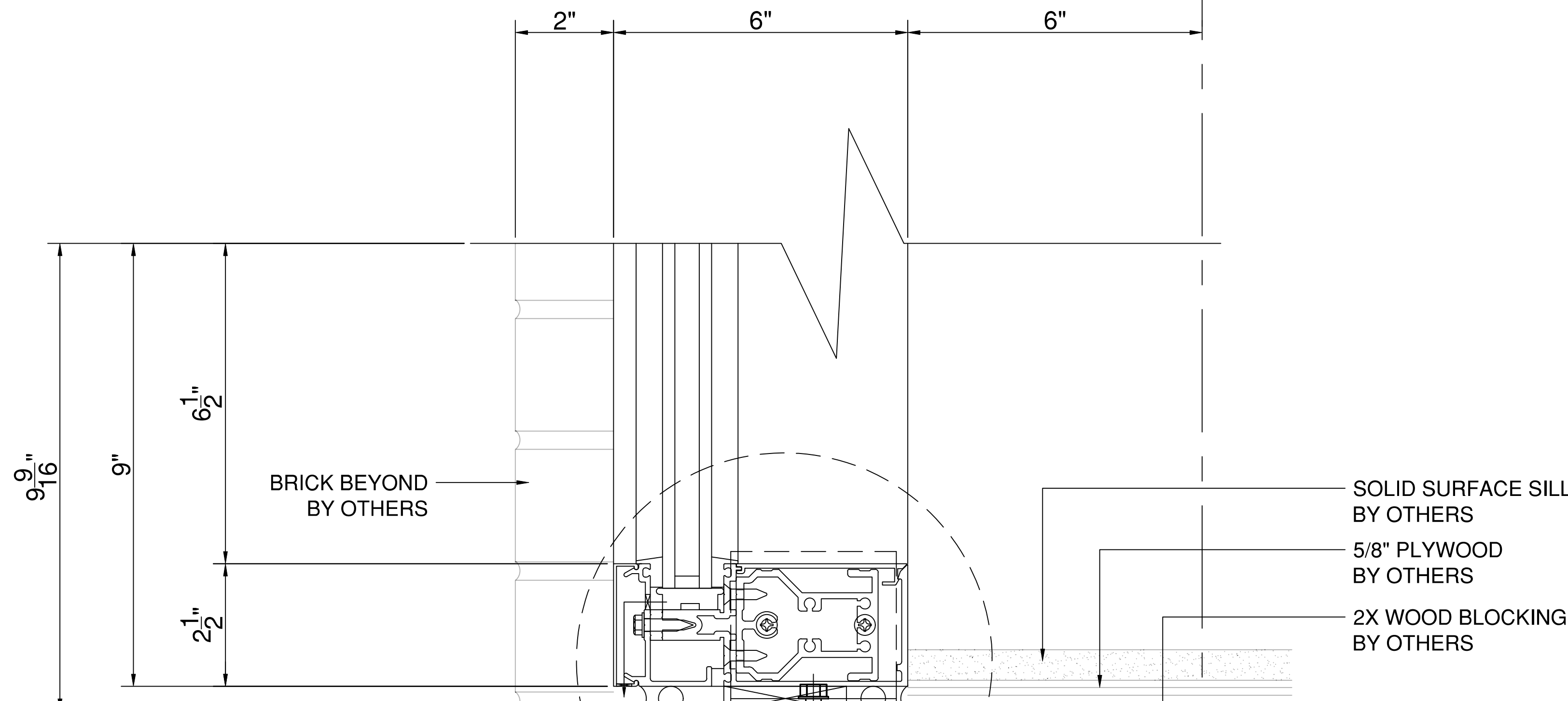
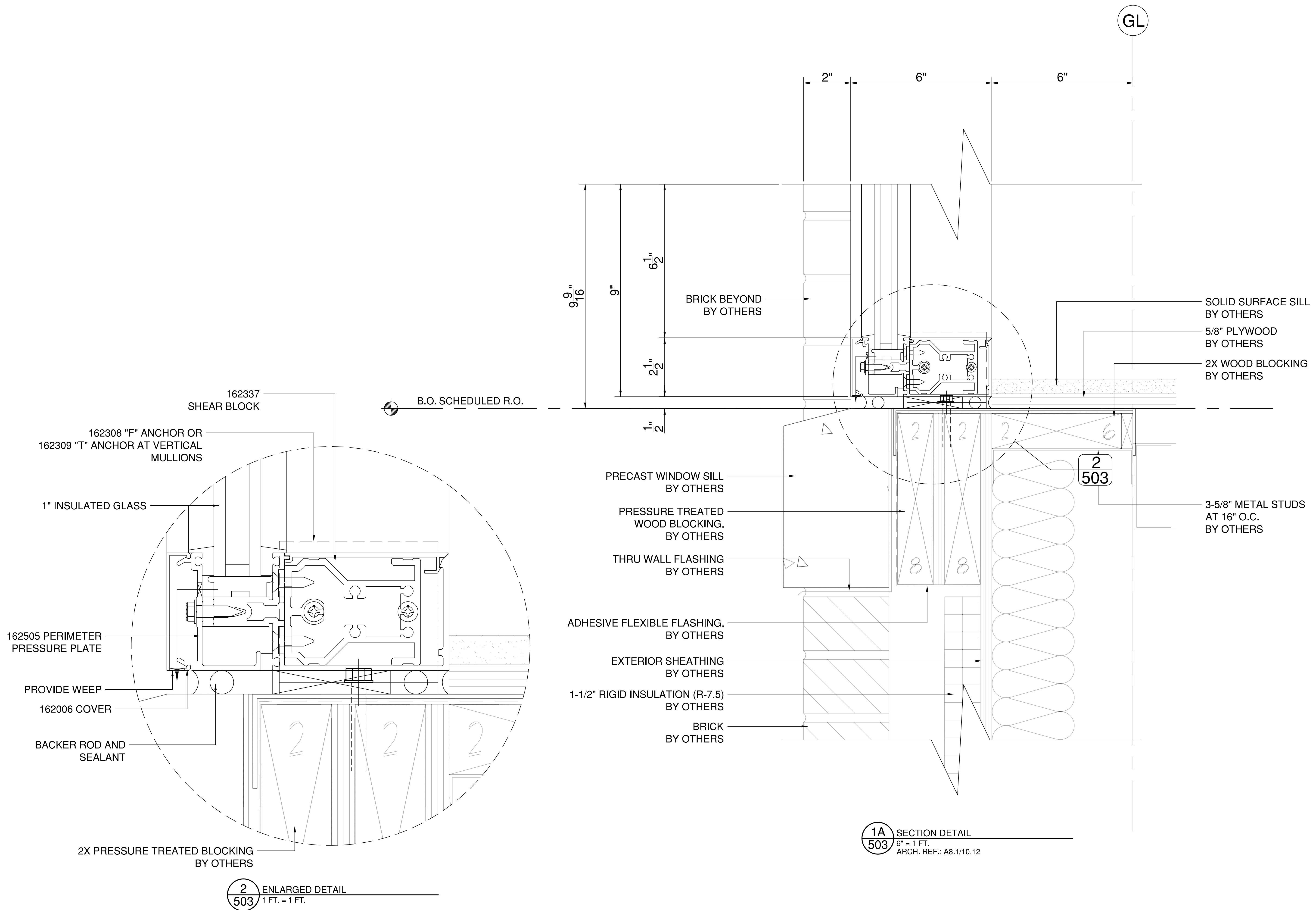
Project Name
 NIDO & MARIANA QUBEIN
 CHILDREN'S MUSEUM
 Location
 HIGH POINT, NC
 Architect

Location
 HIGH POINT, NC
 General Contractor

Location
 Drawing Title
 1600 SYS. 6" DETAILS

Date:
 9/22/2020
 Drawn by:
 AP
 Scale:
 AS NOTED

Sheet:
502



1A SECTION DETAIL
503 6" = 1 FT.
 ARCH. REF.: A8.1/10,12

2 ENLARGED DETAIL
503 1 FT. = 1 FT.

Submittal/Revision	Description	By	Date
1			

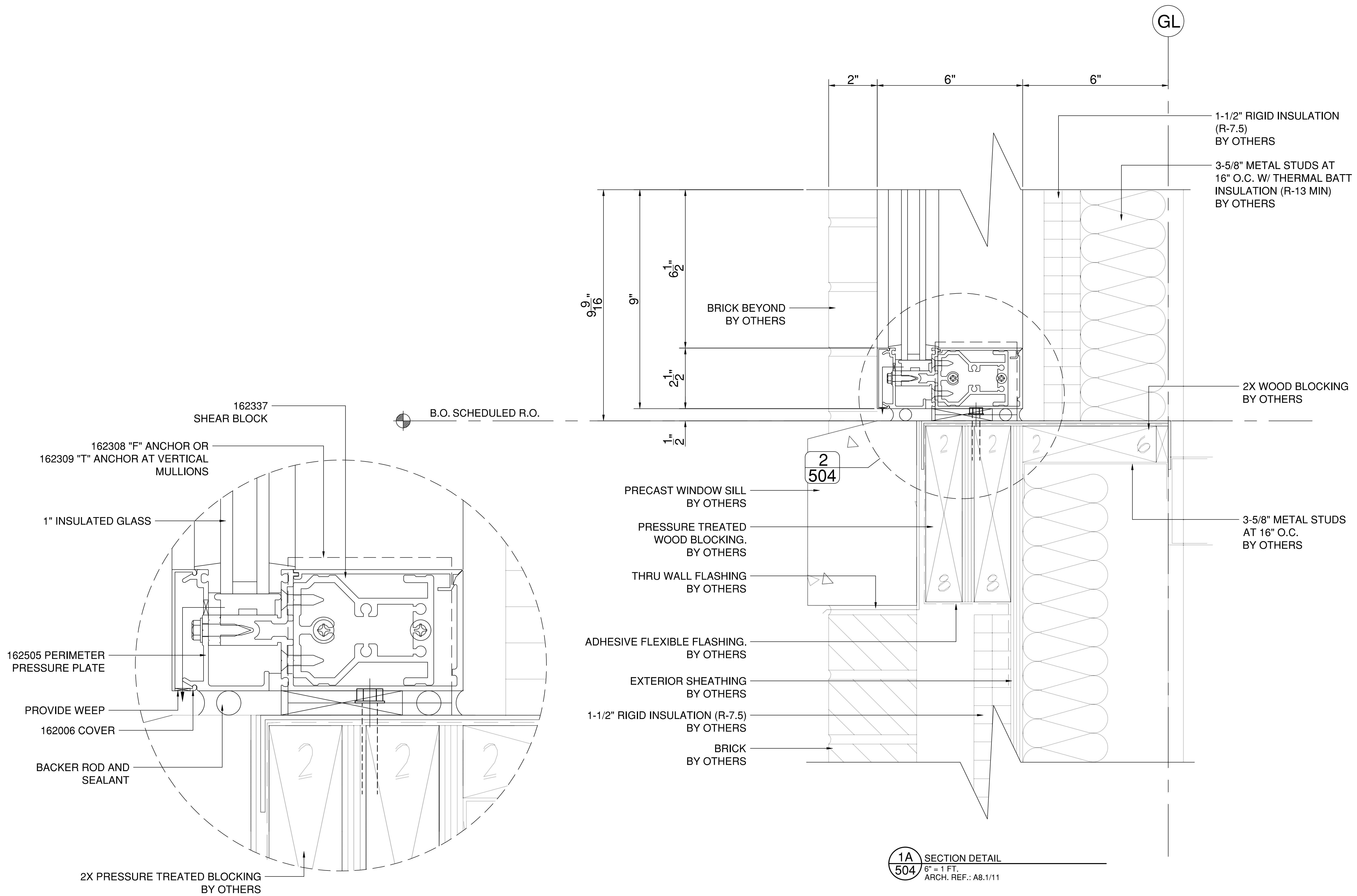
Project Name
 NIDO & MARIANA QUBEIN
 CHILDREN'S MUSEUM
 Location
 HIGH POINT, NC
 Architect

Location
 HIGH POINT, NC
 General Contractor

Location
 Drawing Title
 1600 SYS. 6" DETAILS

Date:
 9/22/2020
 Drawn by:
 AP
 Scale:
 AS NOTED

Sheet:
503



2
504 ENLARGED DETAIL
1 FT. = 1 FT.

1A
504 SECTION DETAIL
6" = 1 FT.
ARCH. REF.: A8.1/11

Submittal/Revision	Description	By	Date
1			

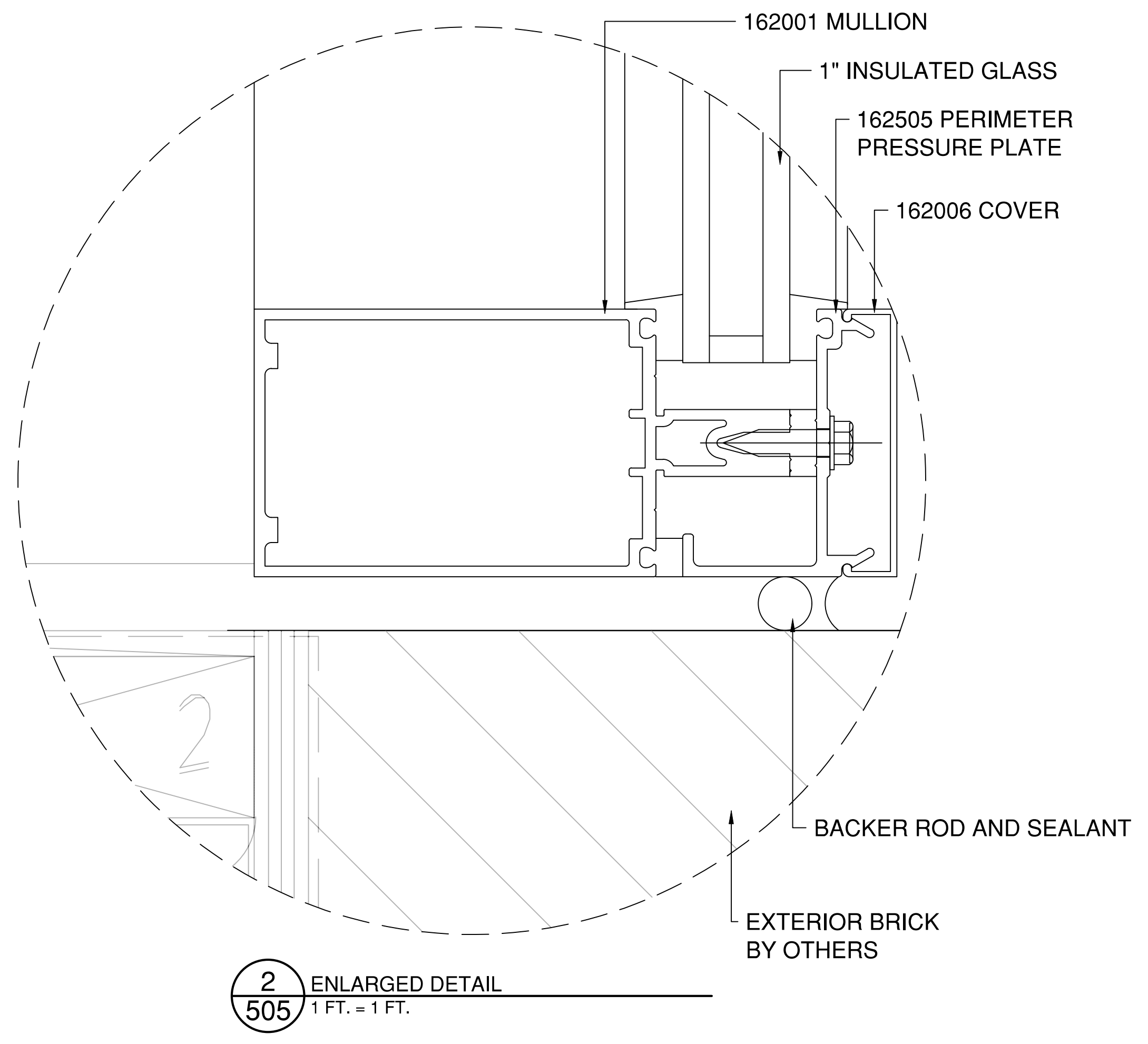
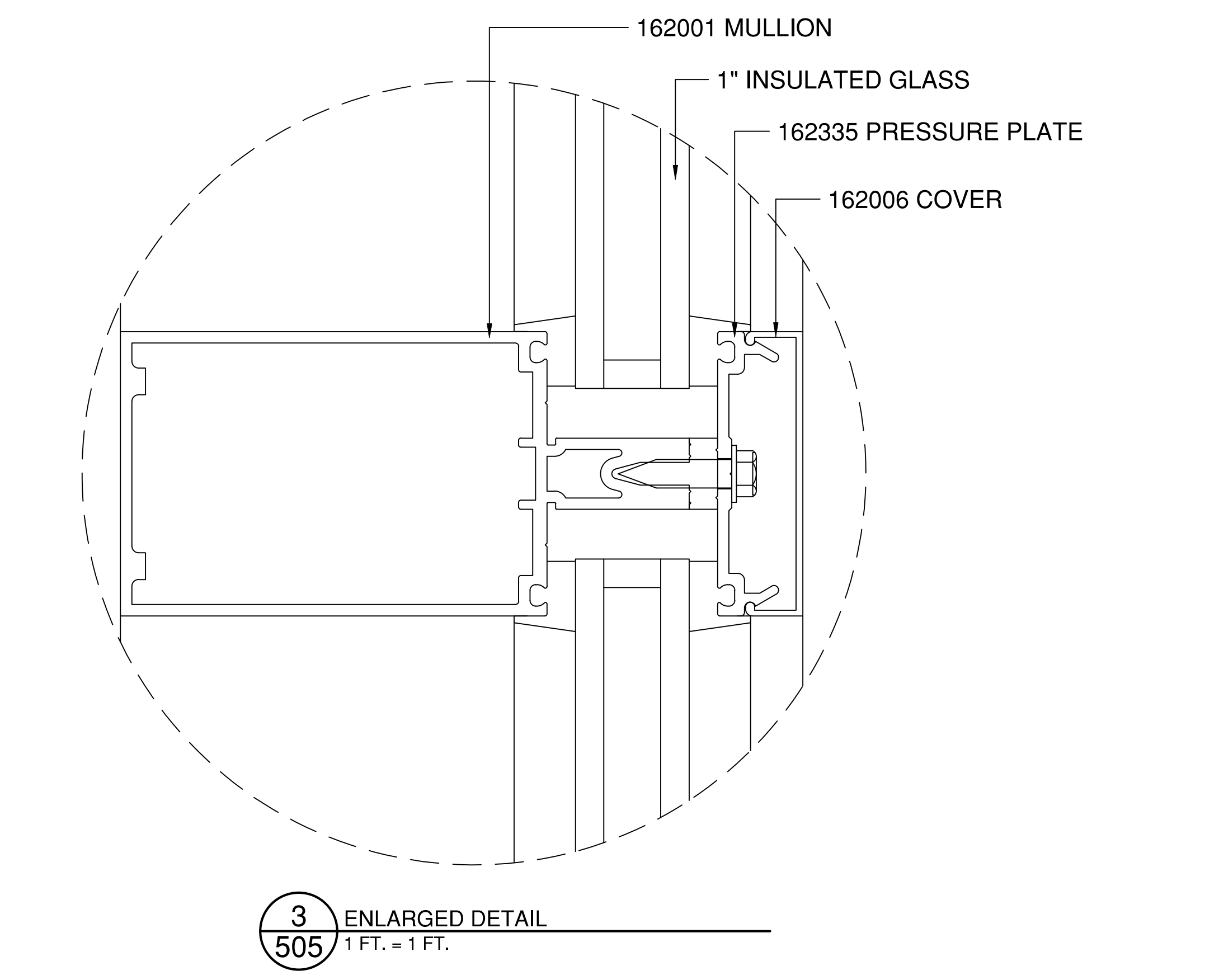
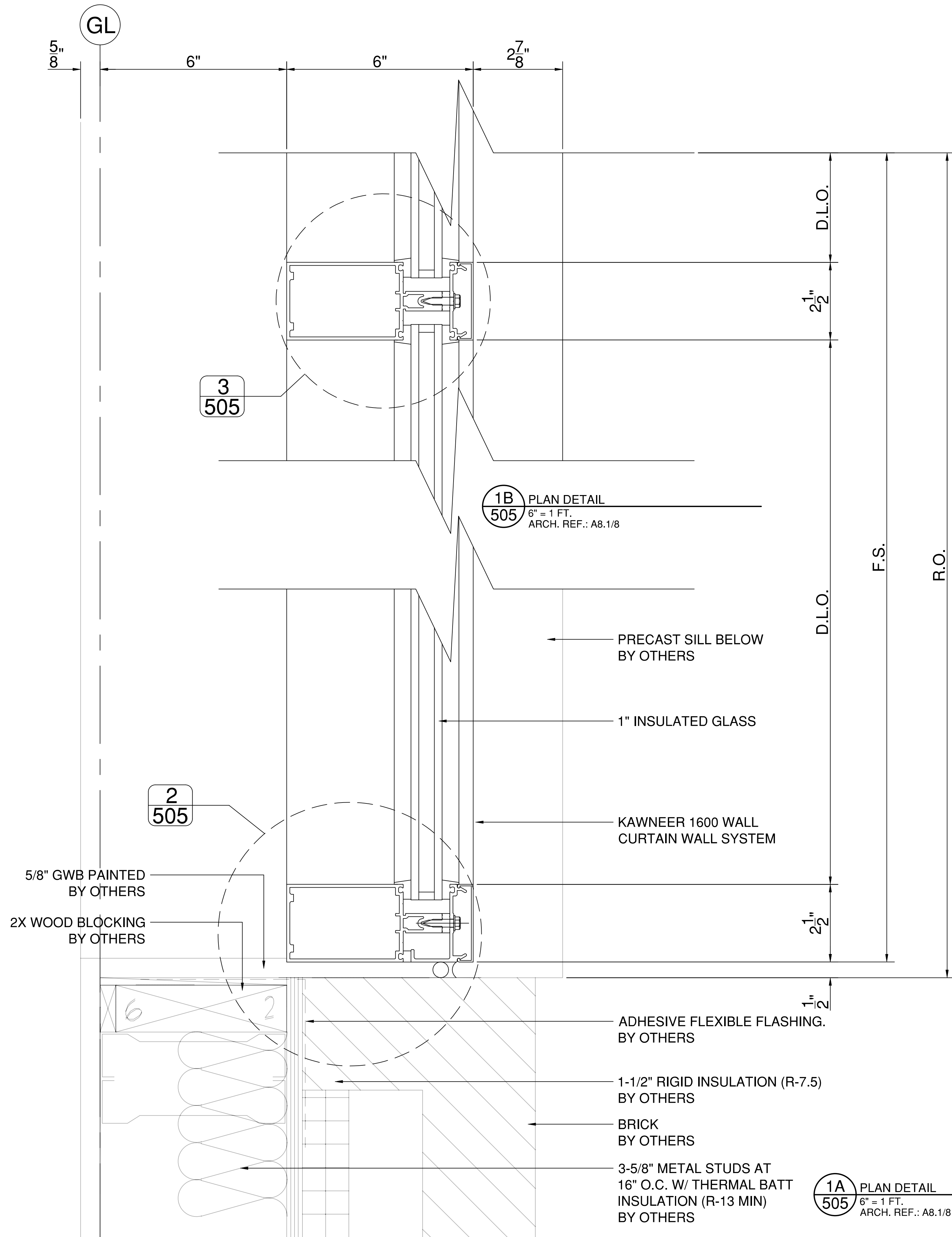
Project Name
NIDO & MARIANA QUBEIN
CHILDREN'S MUSEUM
Location
HIGH POINT, NC
Architect

Location
HIGH POINT, NC
General Contractor

Location

Drawing Title
1600 SYS. 6" DETAILS

Date:
9/22/2020
Sheet:
504
Drawn by:
AP
Scale:
AS NOTED



Sub. No.	Rev. No.	Date	By	Submittal/Revision Description
1				

Project Name
NIDO & MARIANA QUBEIN
CHILDREN'S MUSEUM
Location
HIGH POINT, NC
Architect

Location
HIGH POINT, NC
General Contractor

Location

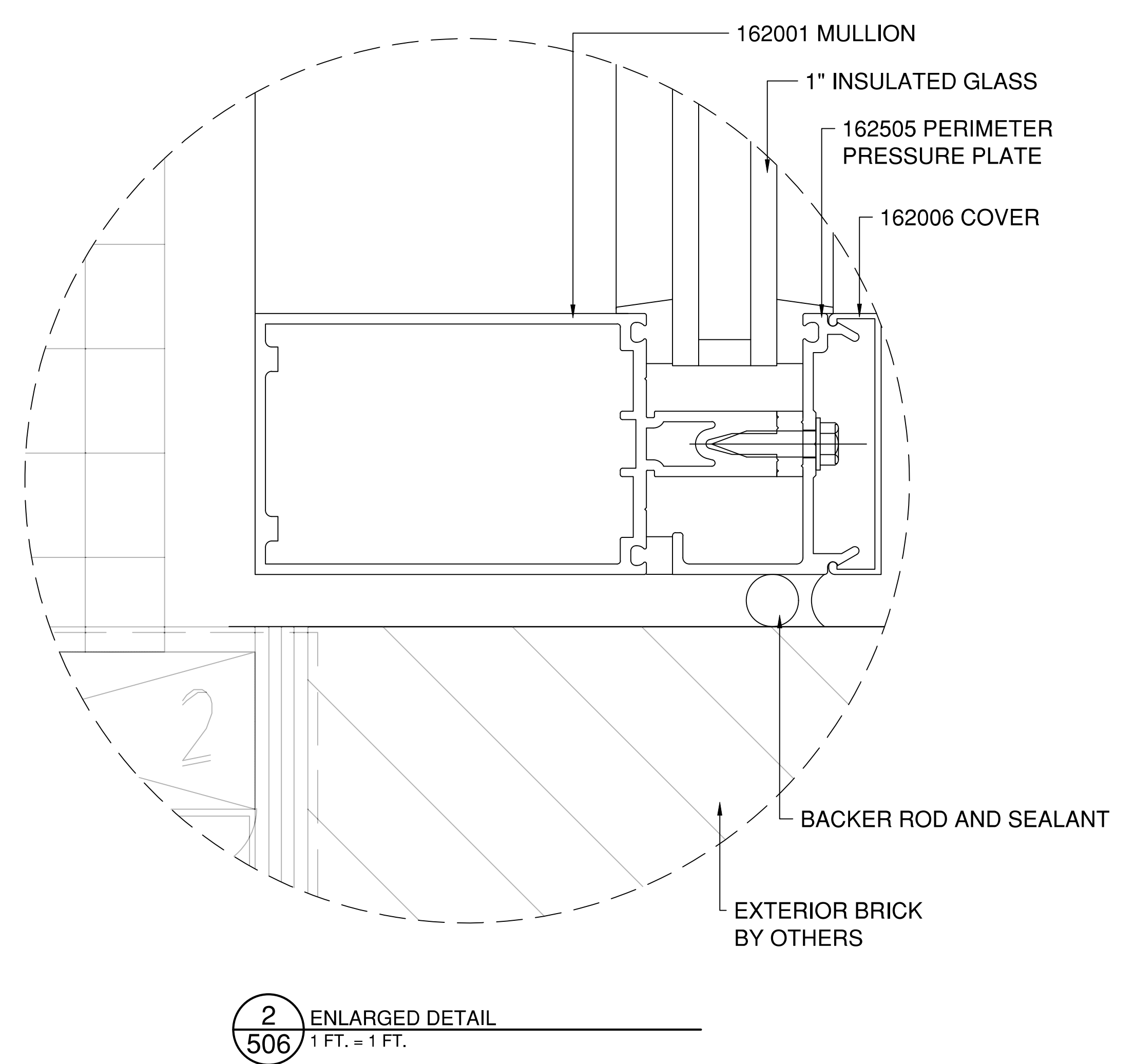
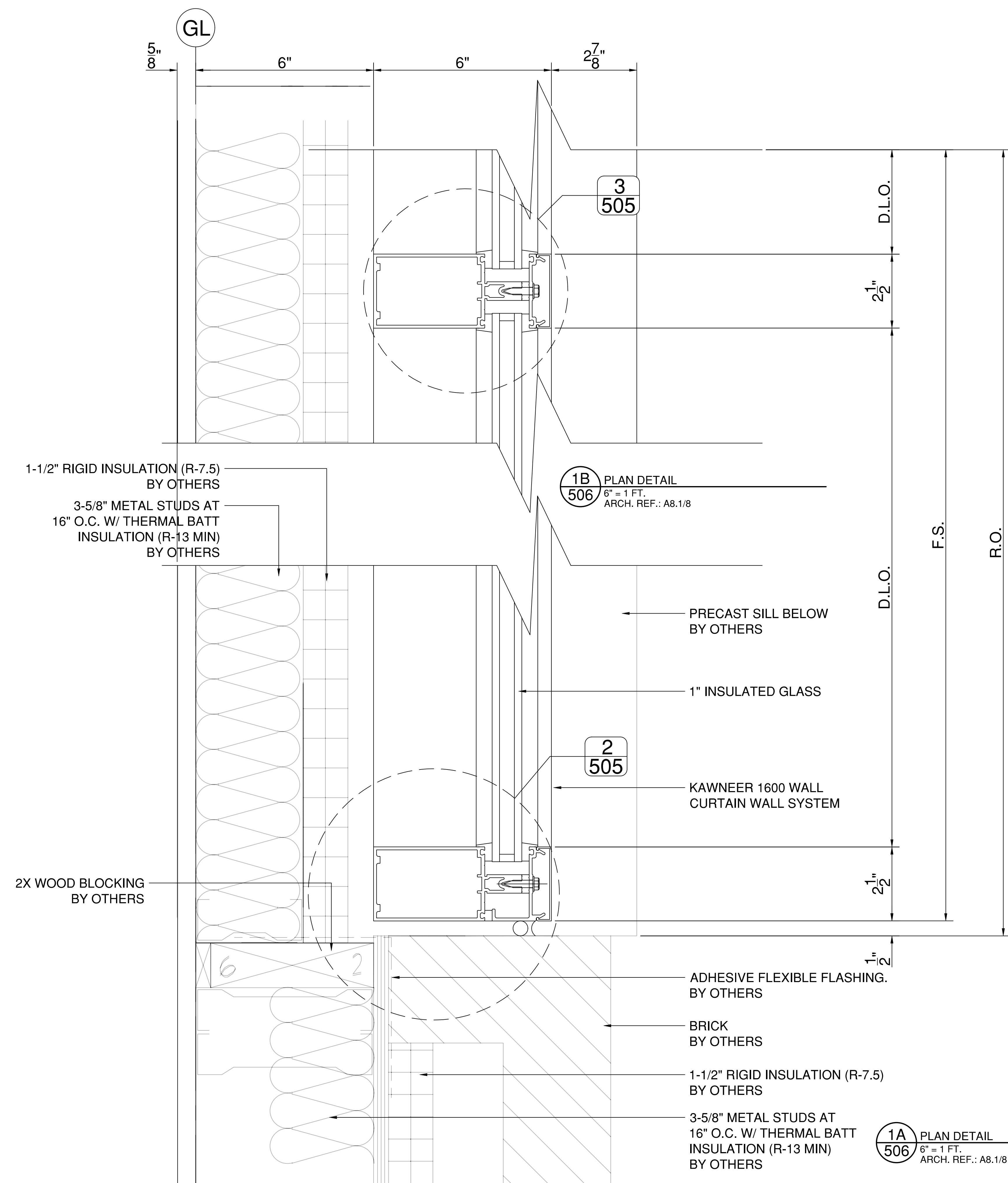
Drawing Title
1600 SYS. 6" DETAILS

Date:
9/22/2020

Drawn by:
AP

Scale:
AS NOTED

Sheet:
505



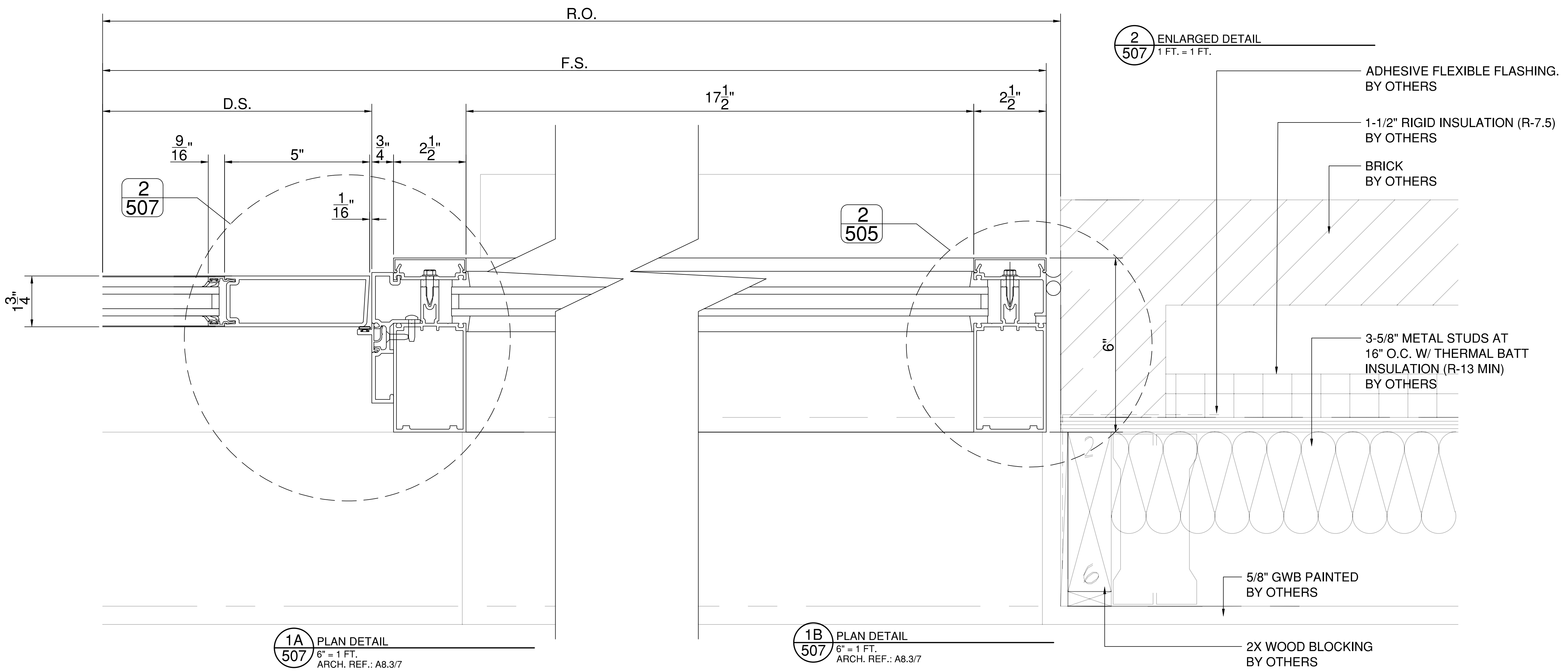
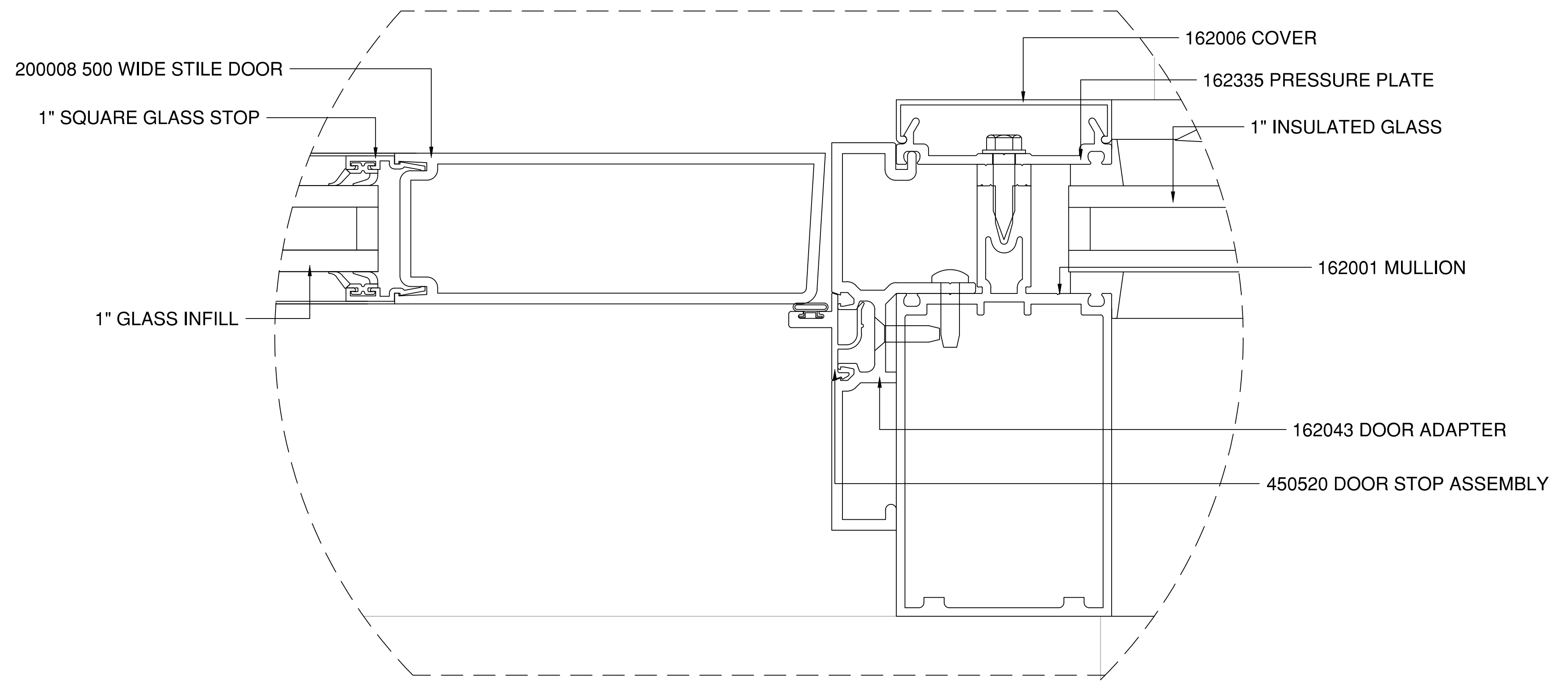
Submittal/Revision	Description	By	Date
1			

Project Name
NIDO & MARIANA QUBEIN
CHILDREN'S MUSEUM
Location
HIGH POINT, NC
Architect

Location
HIGH POINT, NC
General Contractor

Location
Drawing Title
1600 SYS. 6" DETAILS

Date:
9/22/2020
Sheet:
506
Drawn by:
AP
Scale:
AS NOTED



2 ENLARGED DETAIL
507 1 FT. = 1 FT.

1A PLAN DETAIL
507 6\"/>

1B PLAN DETAIL
507 6\"/>

Submittal/Revision	Description	By	Date
1			

Project Name
NIDO & MARIANA QUBEIN
CHILDREN'S MUSEUM
Location
HIGH POINT, NC
Architect

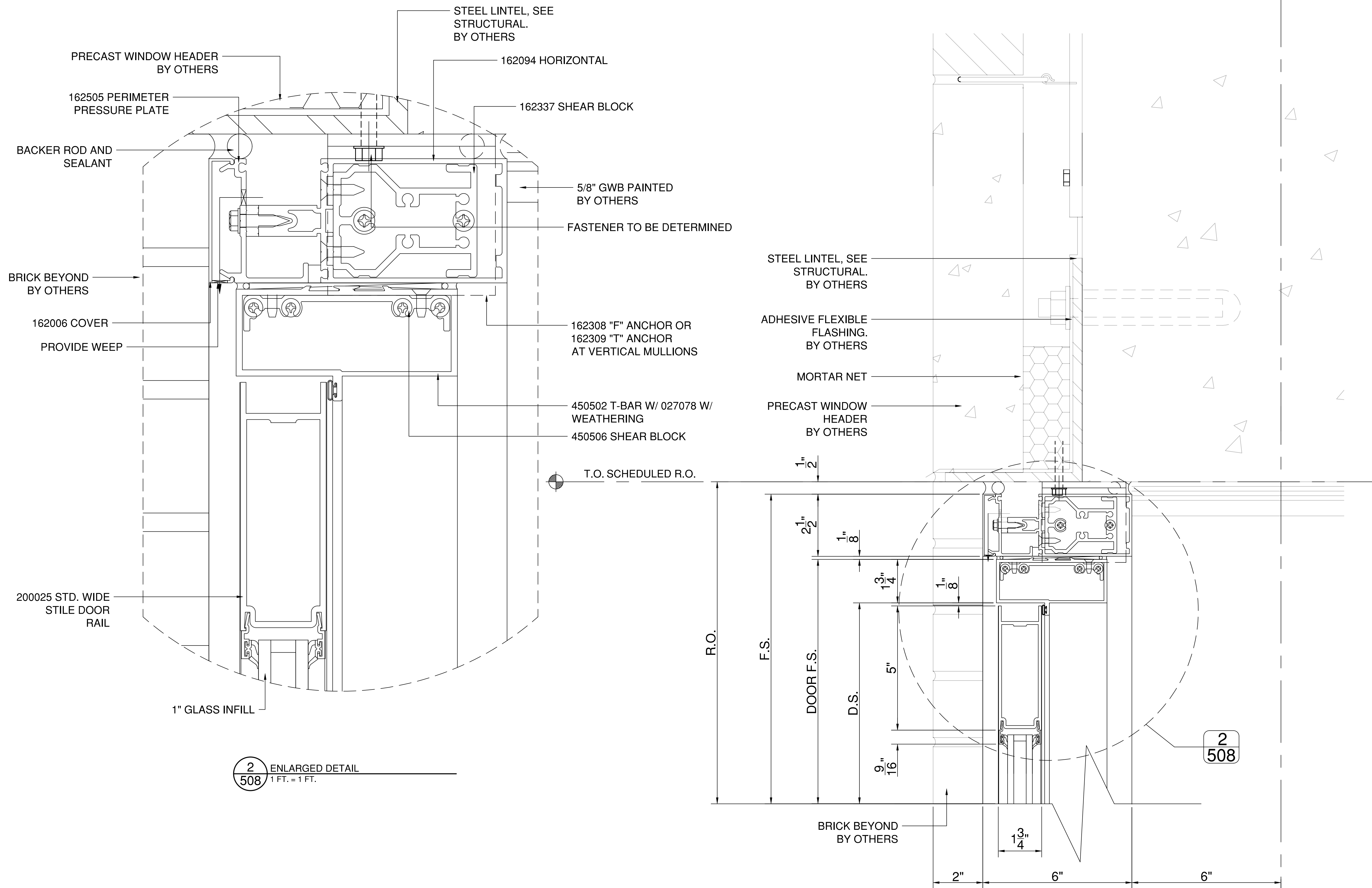
Location
HIGH POINT, NC
General Contractor

Drawing Title
1600 SYS. 6\"/>

Date:
9/22/2020
Drawn by:
AP
Scale:
AS NOTED

Sheet:
507

GL



2 ENLARGED DETAIL
508 1 FT. = 1 FT.

1A SECTION DETAIL
508 6" = 1 FT.
 ARCH. REF.: A8.2/8

Submittal/Revision	Description	By	Date
1			

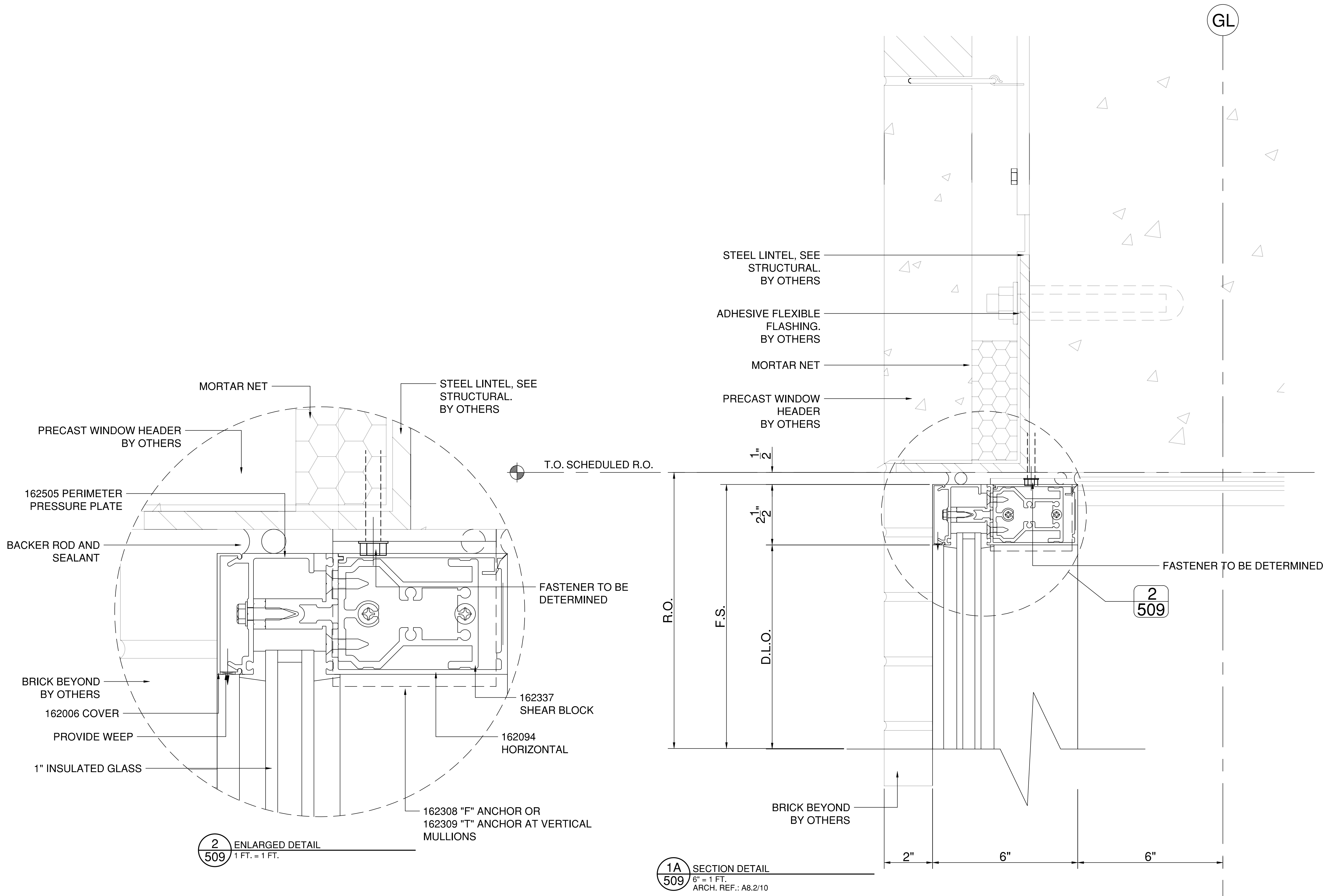
Project Name
 NIDO & MARIANA QUBEIN
 CHILDREN'S MUSEUM
 Location
 HIGH POINT, NC
 Architect

Location
 HIGH POINT, NC
 General Contractor

Location
 Drawing Title
 1600 SYS. 6" DETAILS

Date:
 9/22/2020
 Drawn by:
 AP
 Scale:
 AS NOTED

Sheet:
508



2 ENLARGED DETAIL
509 1 FT. = 1 FT.

1A SECTION DETAIL
509 6" = 1 FT.
ARCH. REF.: A8.2/10

Submittal/Revision	Description	By	Date
1			

Project Name
NIDO & MARIANA QUBEIN
CHILDREN'S MUSEUM
Location
HIGH POINT, NC
Architect

Location
HIGH POINT, NC
General Contractor

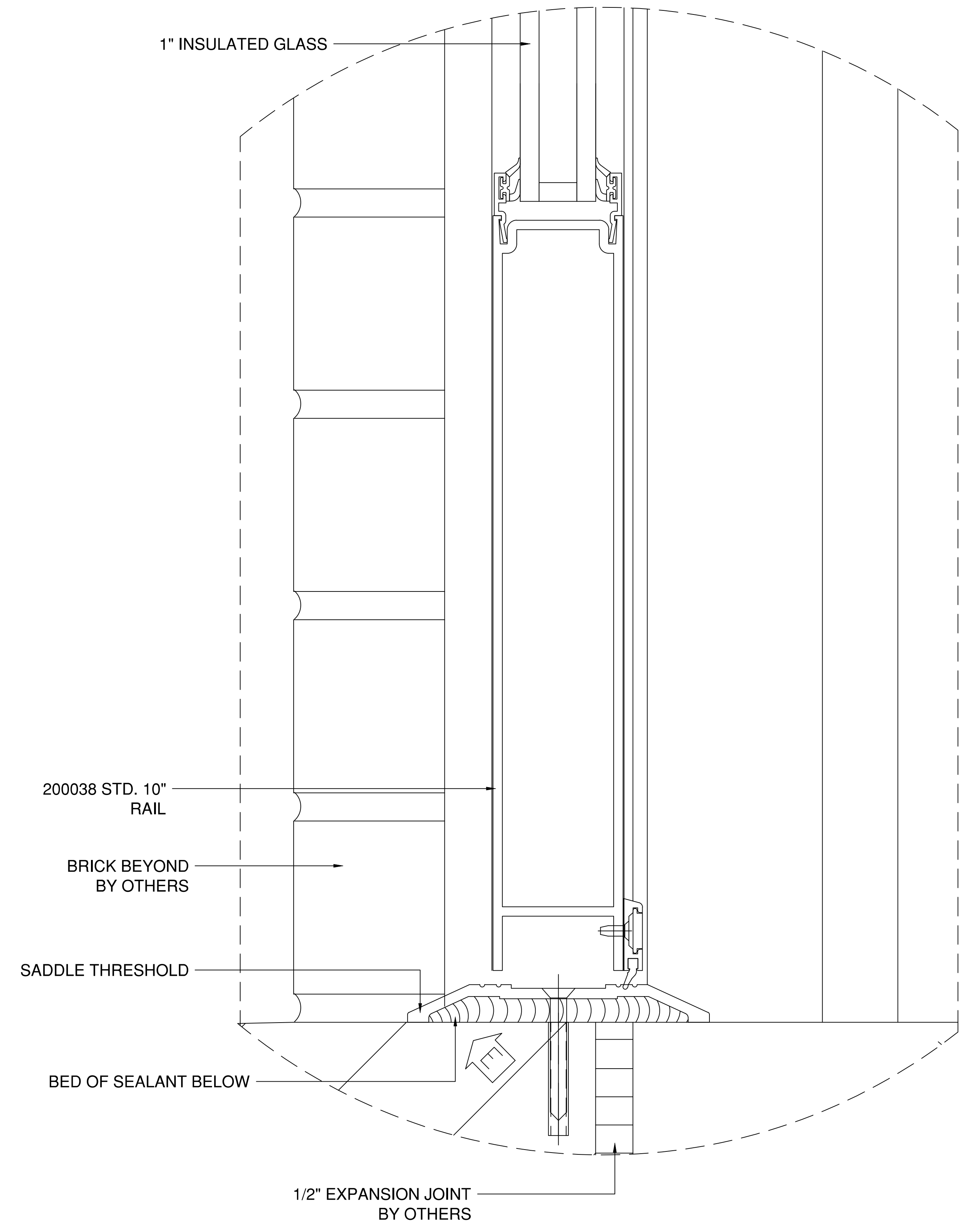
Location

Drawing Title
1600 SYS. 6" DETAILS

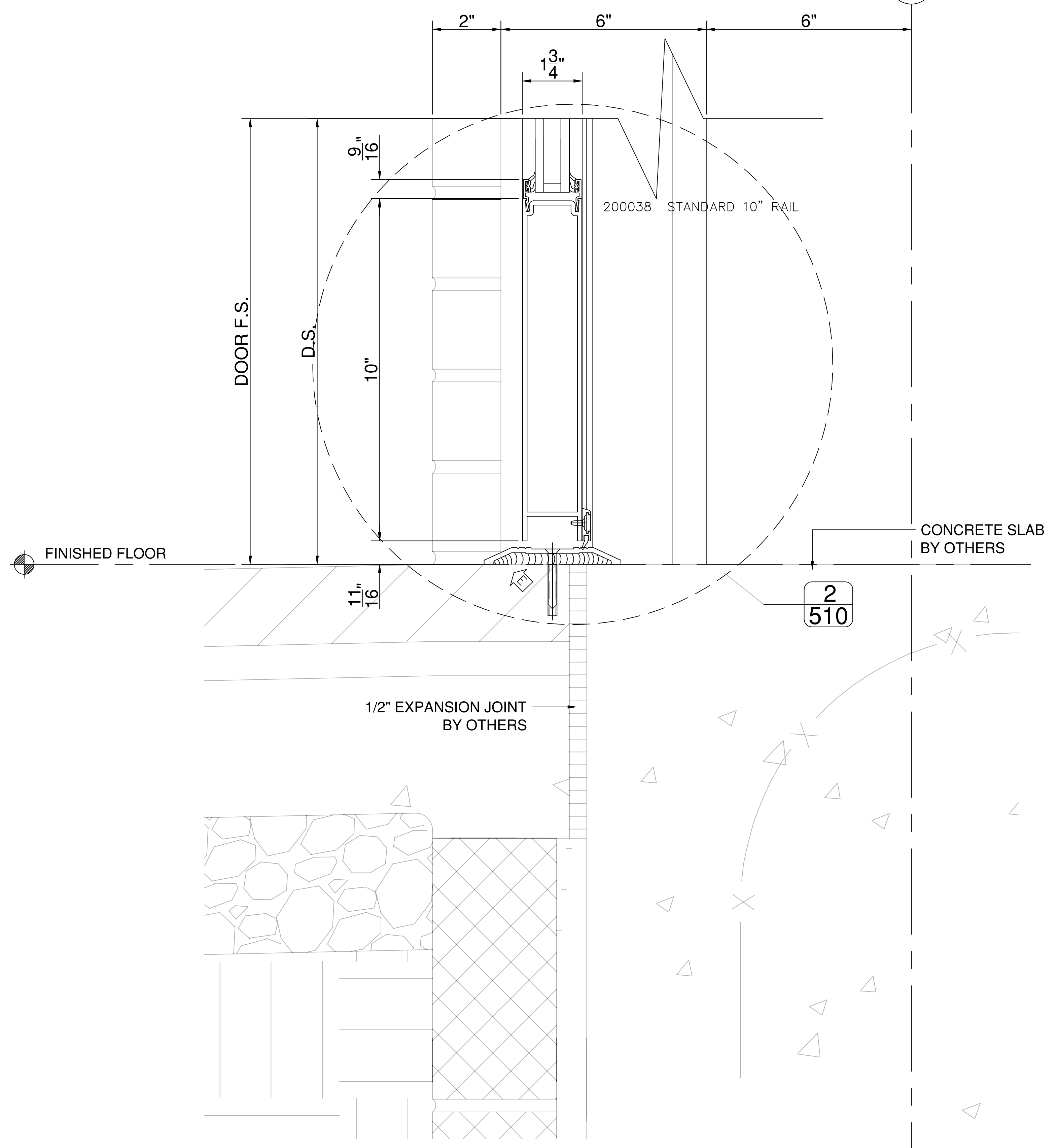
Date:
9/22/2020
Drawn by:
AP
Scale:
AS NOTED

Sheet:
509

GL



2 ENLARGED DETAIL
510 1 FT. = 1 FT.



1A SECTION DETAIL
510 6\"/>

Submittal/Revision	Description	By	Date
1			

Project Name
NIDO & MARIANA QUBEIN
CHILDREN'S MUSEUM
Location
HIGH POINT, NC
Architect

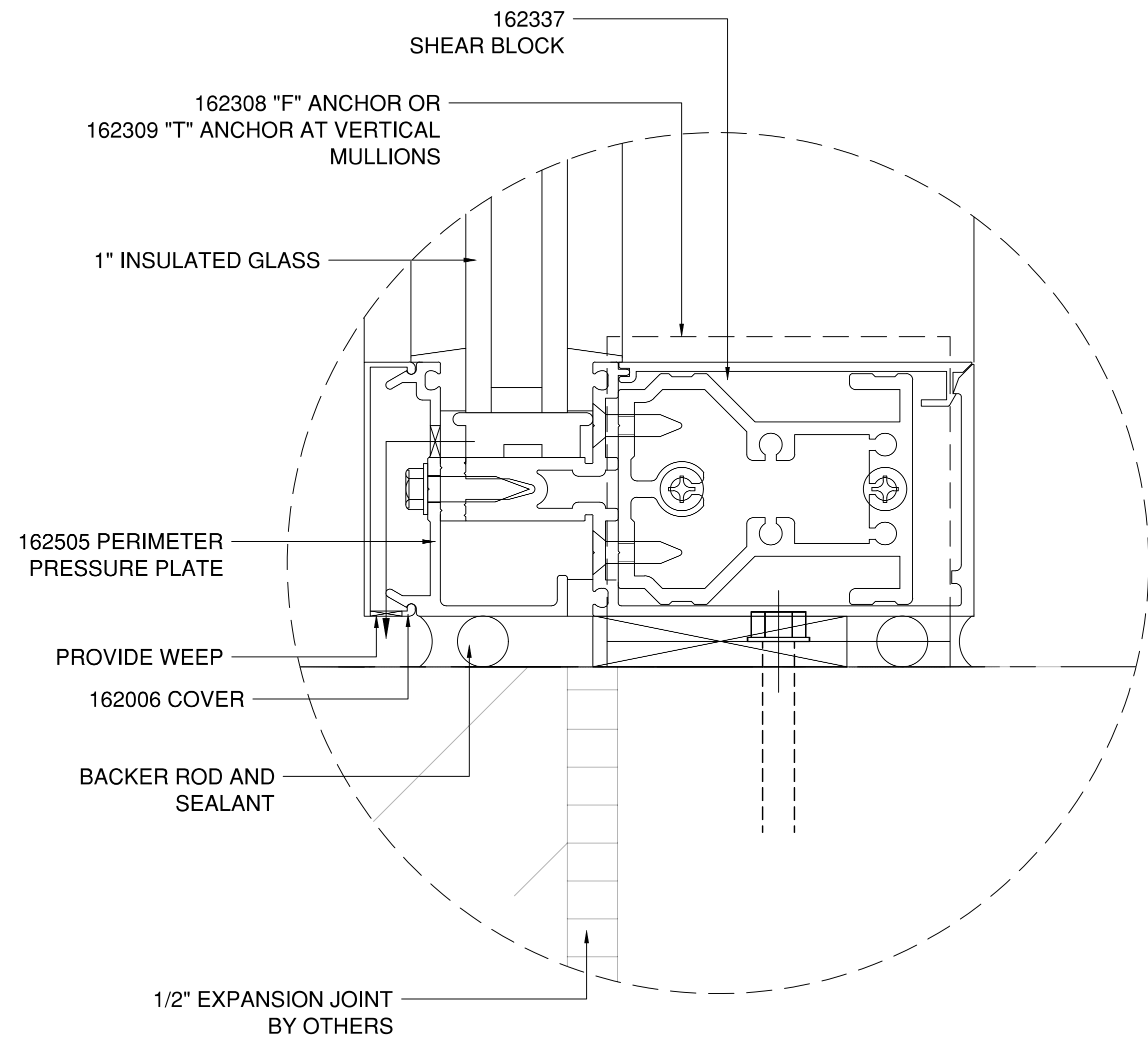
Location
HIGH POINT, NC
General Contractor

Location
Drawing Title
1600 SYS. 6\"/>

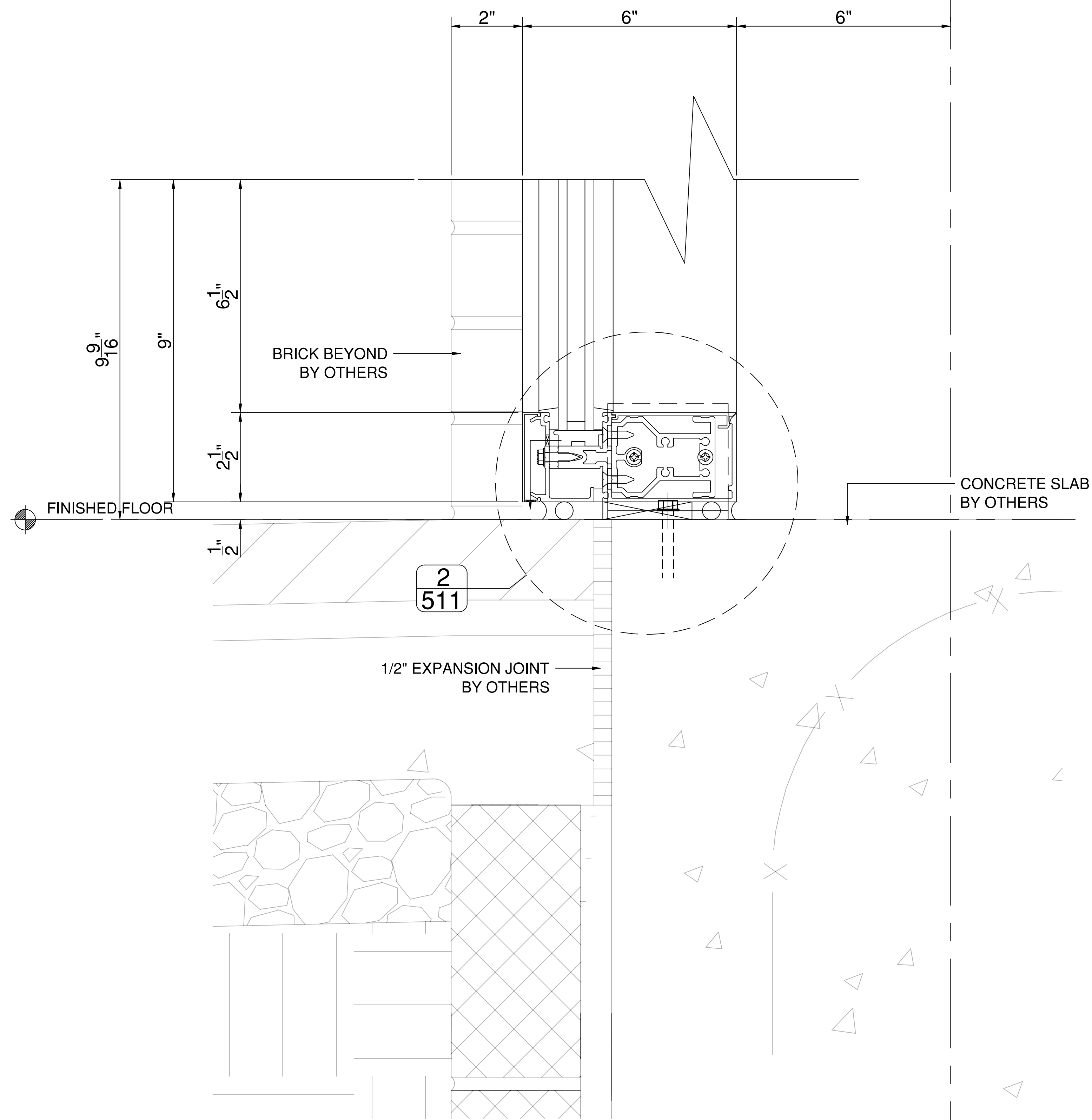
Date:
9/22/2020
Drawn by:
AP
Scale:
AS NOTED

Sheet:
510

GL



2 ENLARGED DETAIL
511 1 FT. = 1 FT.



1A SECTION DETAIL
511 6" = 1 FT.
ARCH. REF.: A8.2/9

Submittal/Revision	Description	By	Date	Sub. No.	Rev. No.
1					

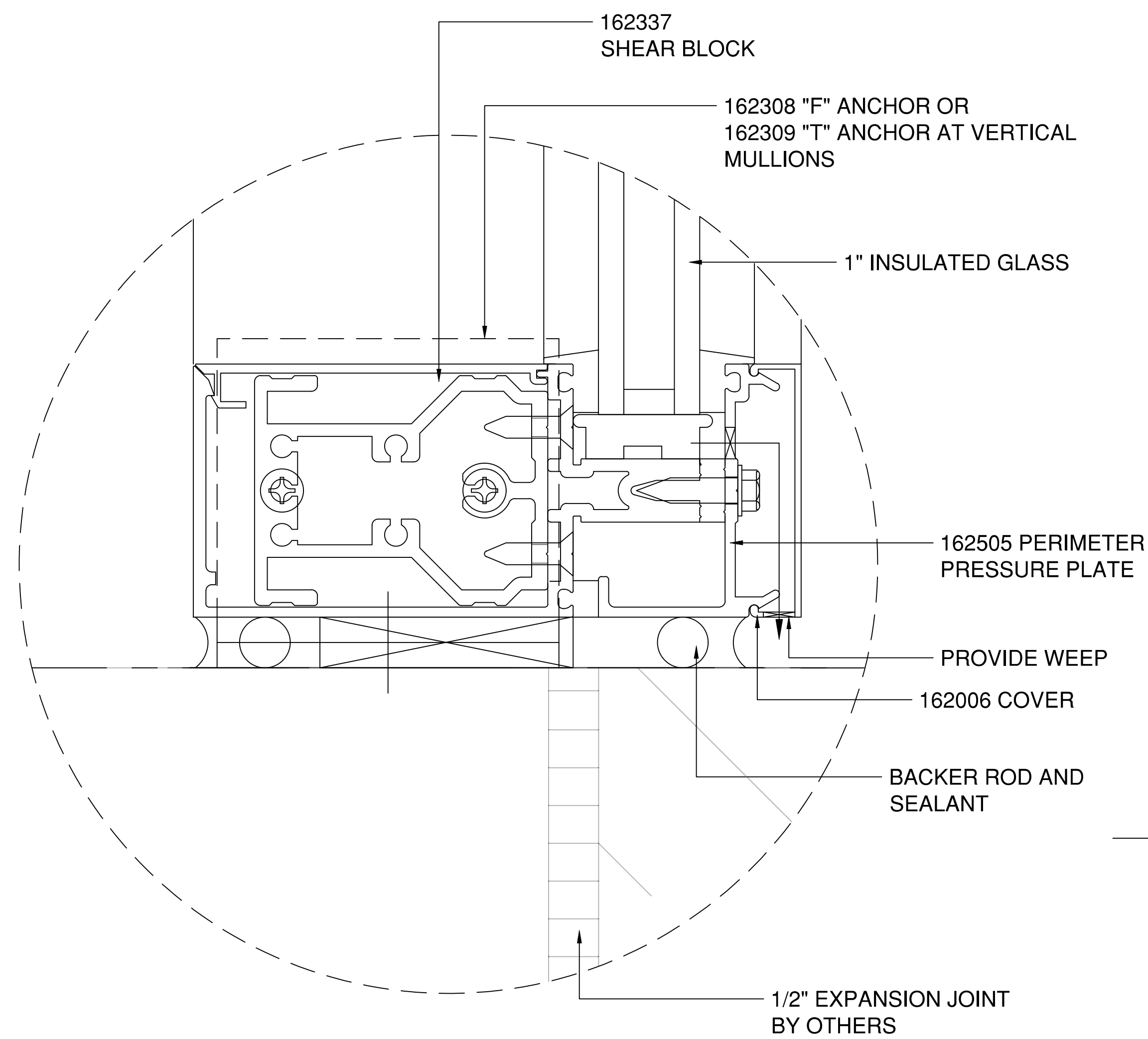
Project Name
NIDO & MARIANA QUBEIN
CHILDREN'S MUSEUM
Location
HIGH POINT, NC
Architect

Location
HIGH POINT, NC
General Contractor

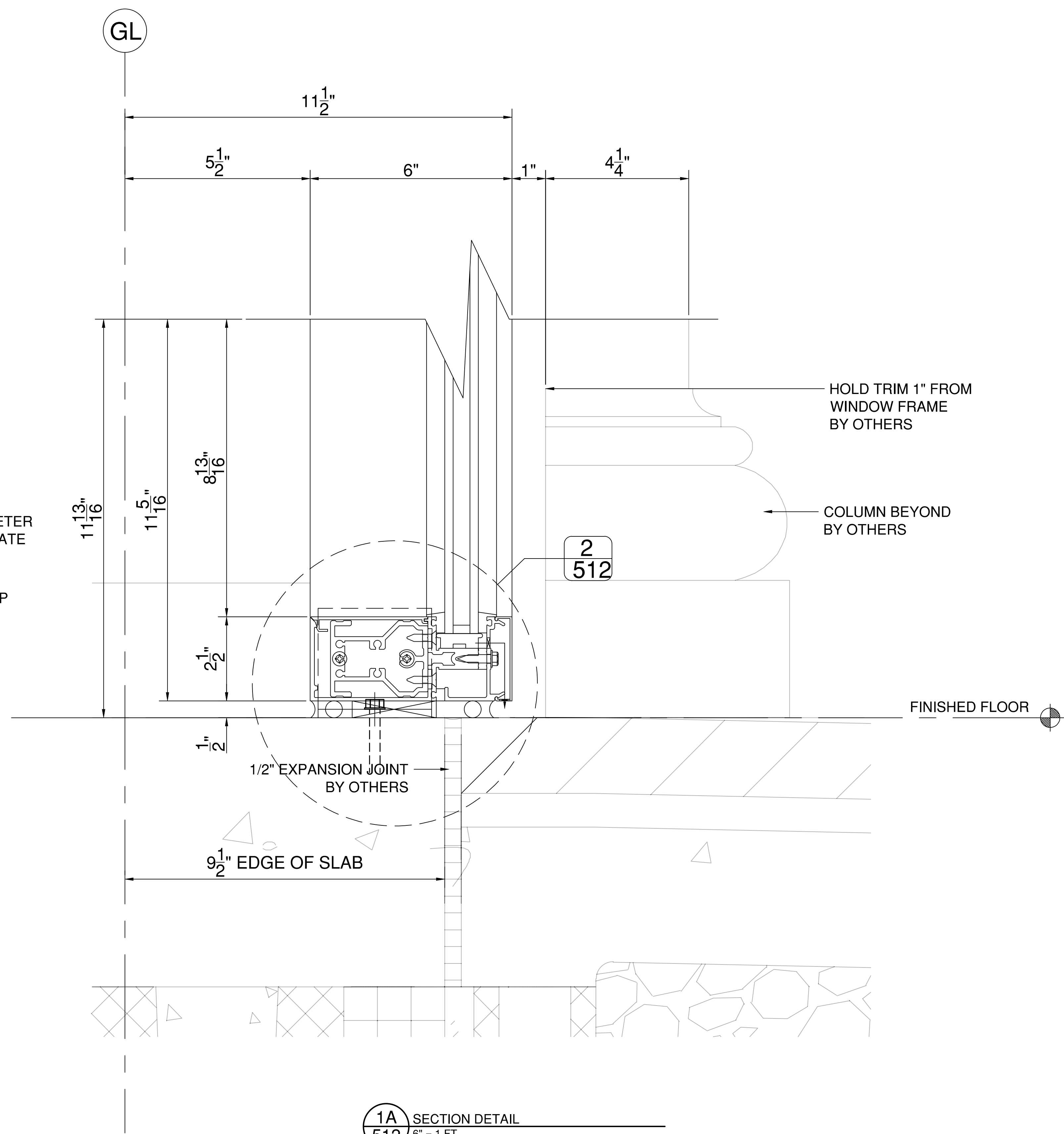
Location
Drawing Title
1600 SYS. 6" DETAILS

Date:
9/22/2020
Drawn by:
AP
Scale:
AS NOTED

Sheet:
511



2 ENLARGED DETAIL
512 1 FT. = 1 FT.



1A SECTION DETAIL
512 6" = 1 FT.
ARCH. REF.: A8.5/2

Submittal/Revision	Description	By	Date
1			

Project Name
NIDO & MARIANA QUBEIN
CHILDREN'S MUSEUM
Location
HIGH POINT, NC
Architect

Location
HIGH POINT, NC
General Contractor

Location

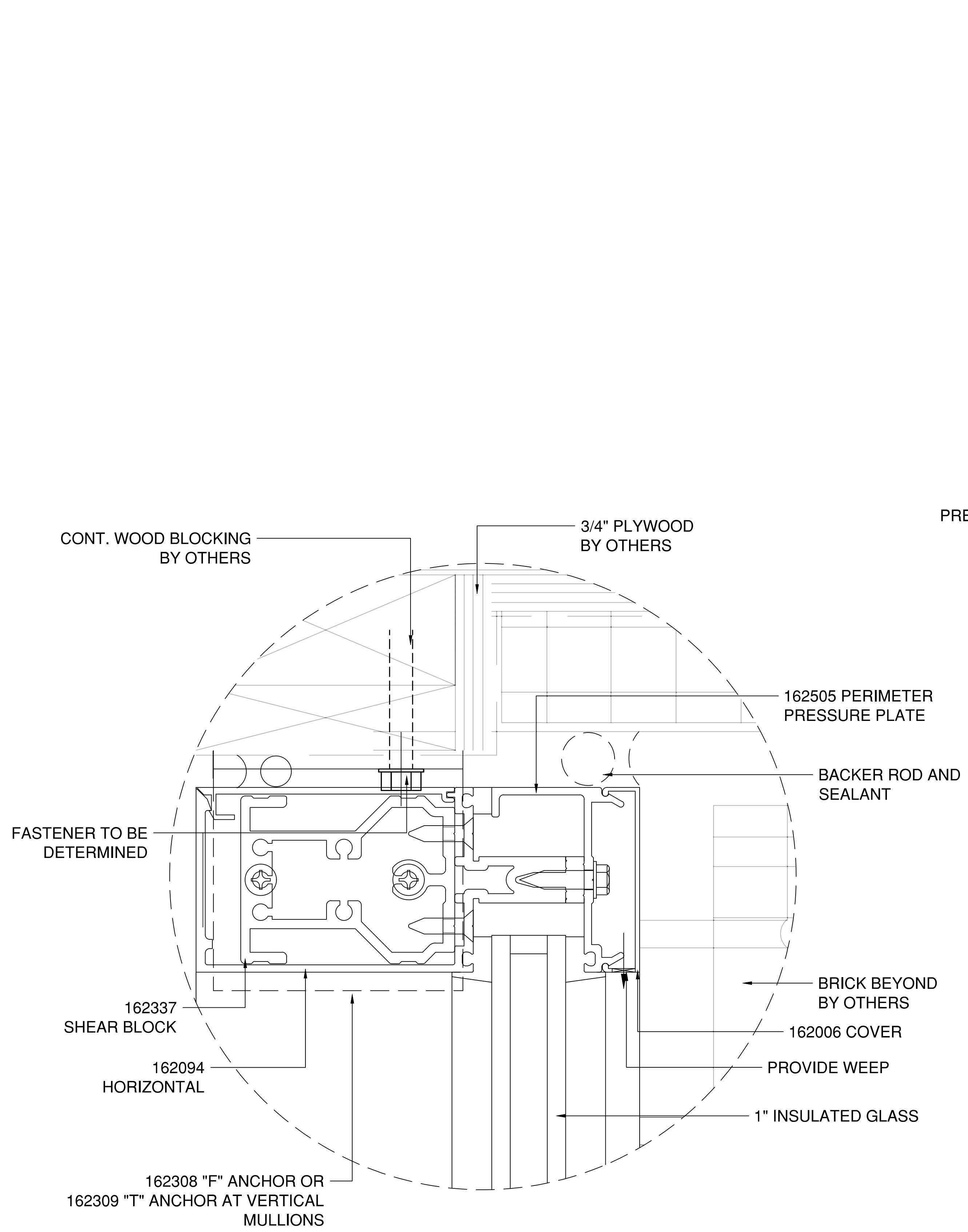
Drawing Title
1600 SYS. 6" DETAILS

Date:
9/22/2020

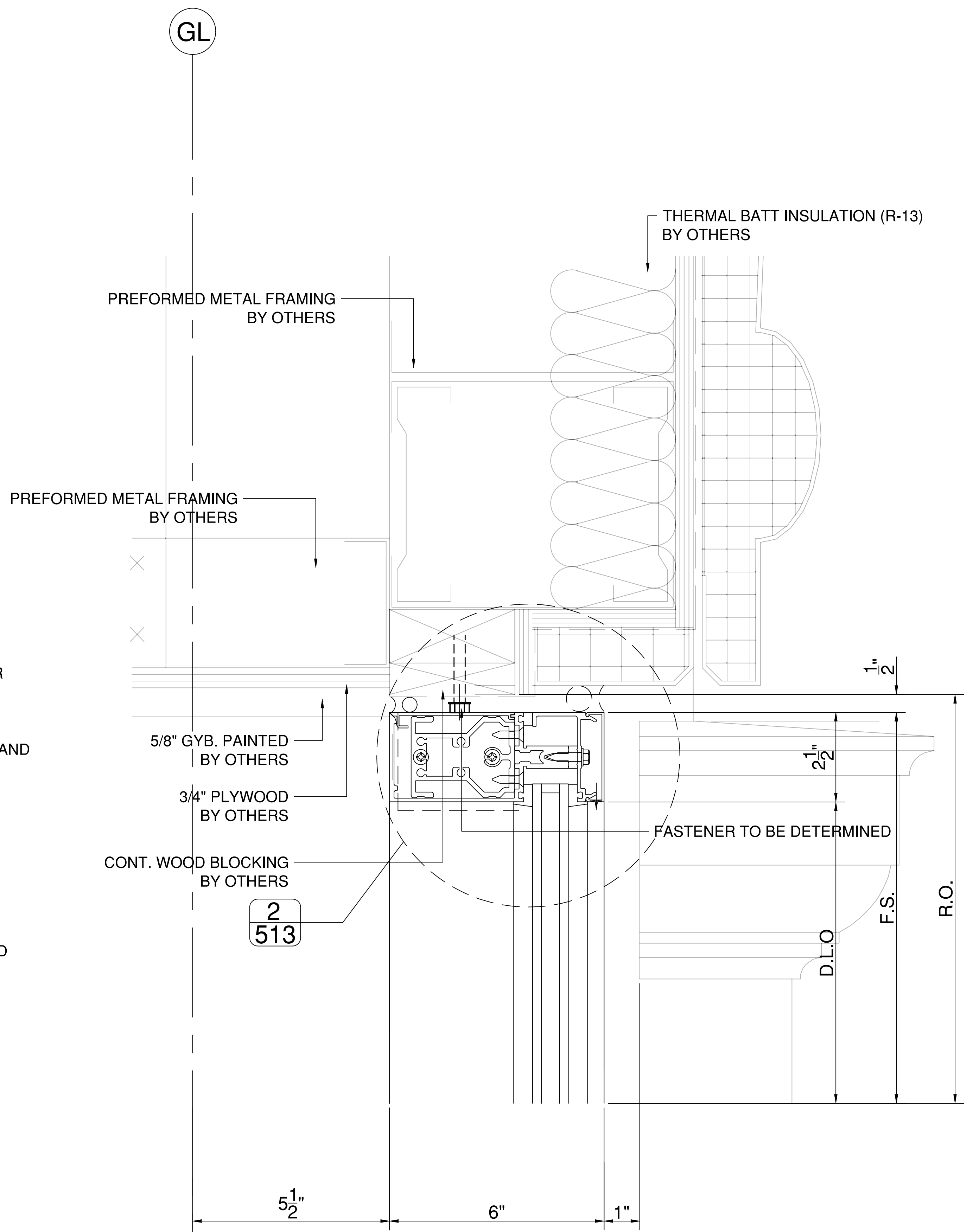
Drawn by:
AP

Scale:
AS NOTED

Sheet:
512



2
513 ENLARGED DETAIL
1 FT. = 1 FT.



1A
513 SECTION DETAIL
6" = 1 FT.
ARCH. REF.: A8.5/4

Sub. No.	Rev. No.	Date	By	Submittal/Revision Description
1				

Project Name
NIDO & MARIANA QUBEIN
CHILDREN'S MUSEUM
Location
HIGH POINT, NC
Architect

Location
HIGH POINT, NC
General Contractor

Location

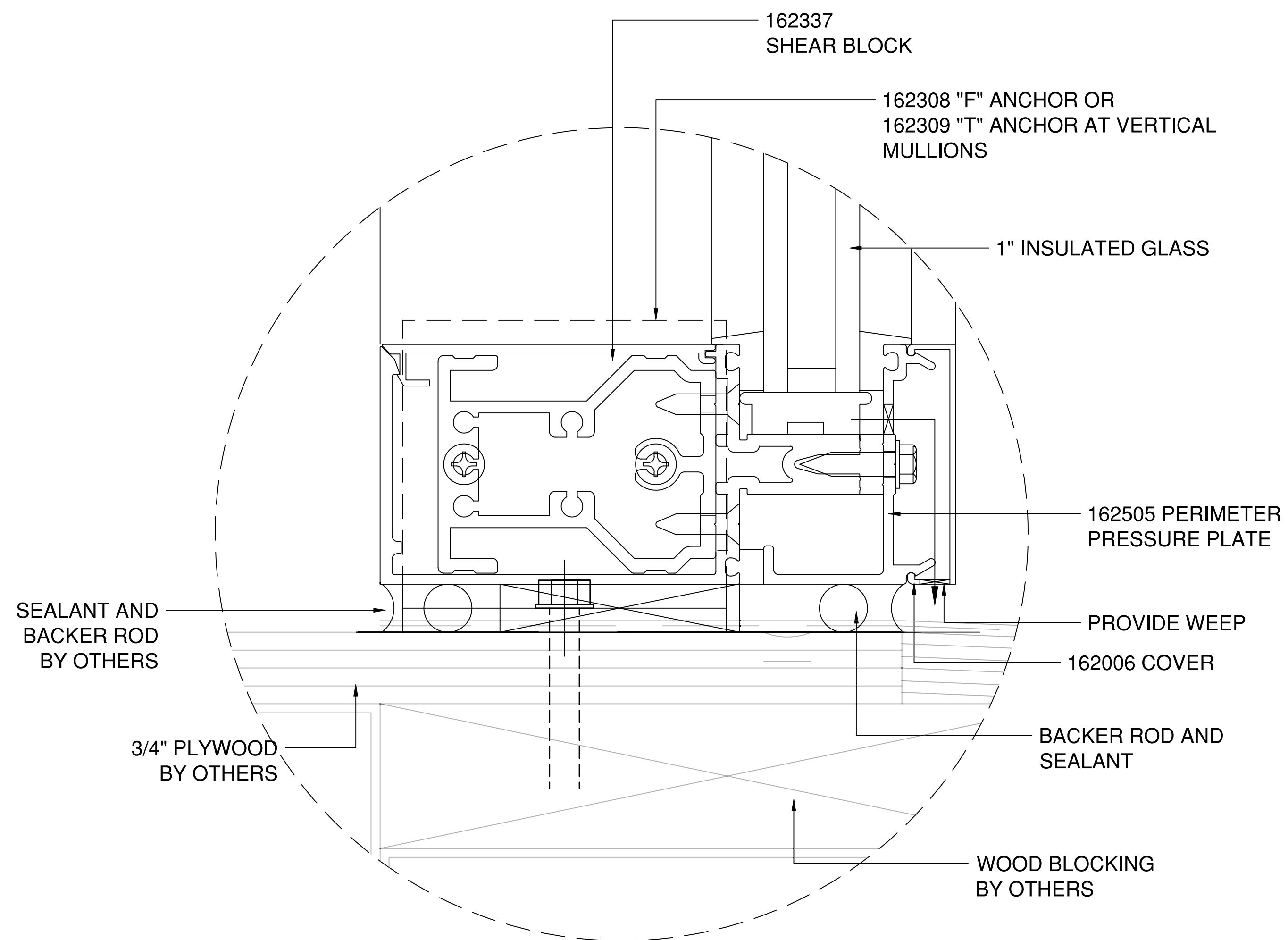
Drawing Title
1600 SYS. 6" DETAILS

Date:
9/22/2020

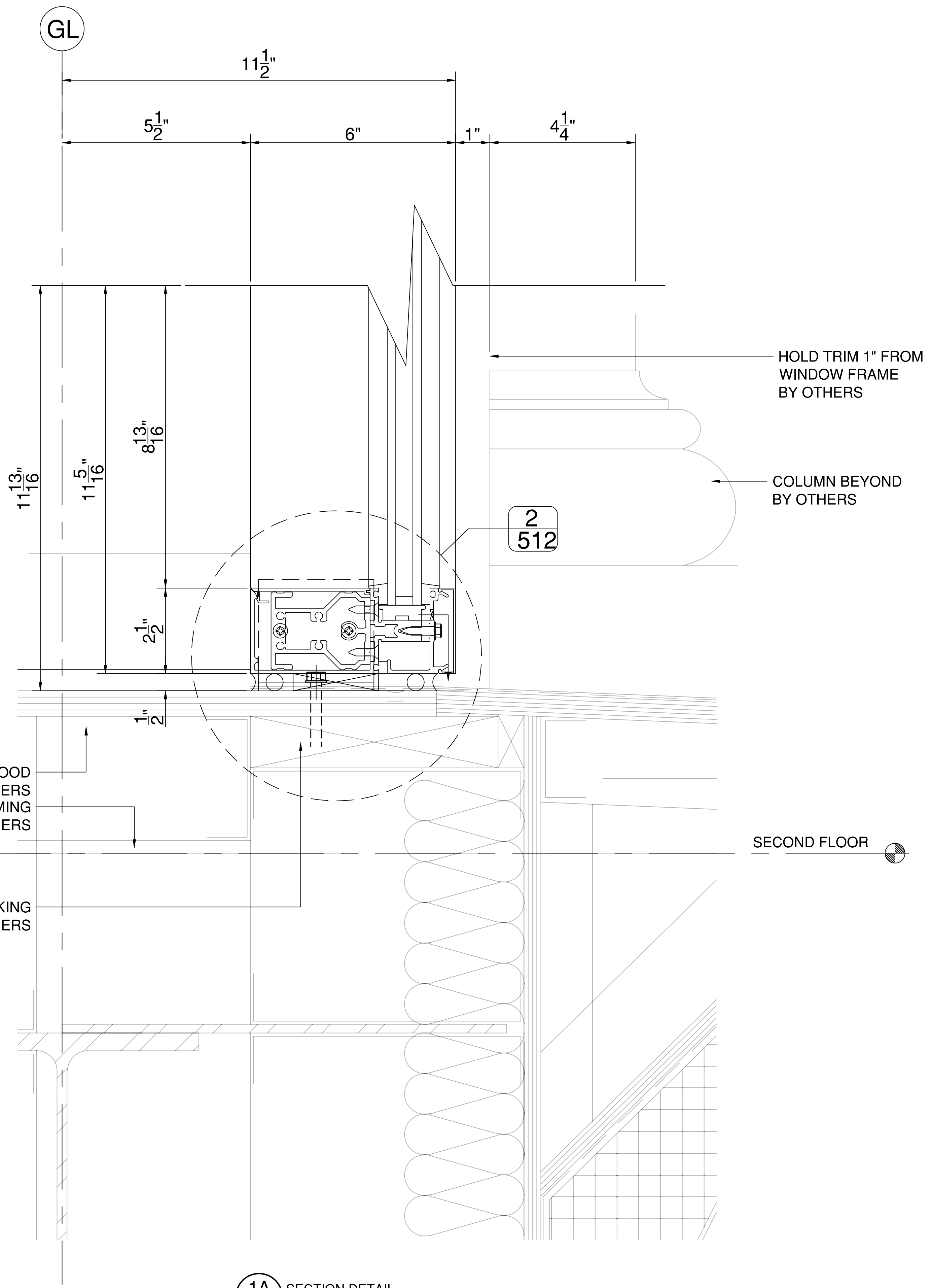
Sheet:
513

Drawn by:
AP

Scale:
AS NOTED



2
514 ENLARGED DETAIL
1 FT. = 1 FT.



1A
514 SECTION DETAIL
6" = 1 FT.
ARCH. REF.: A8.5/5

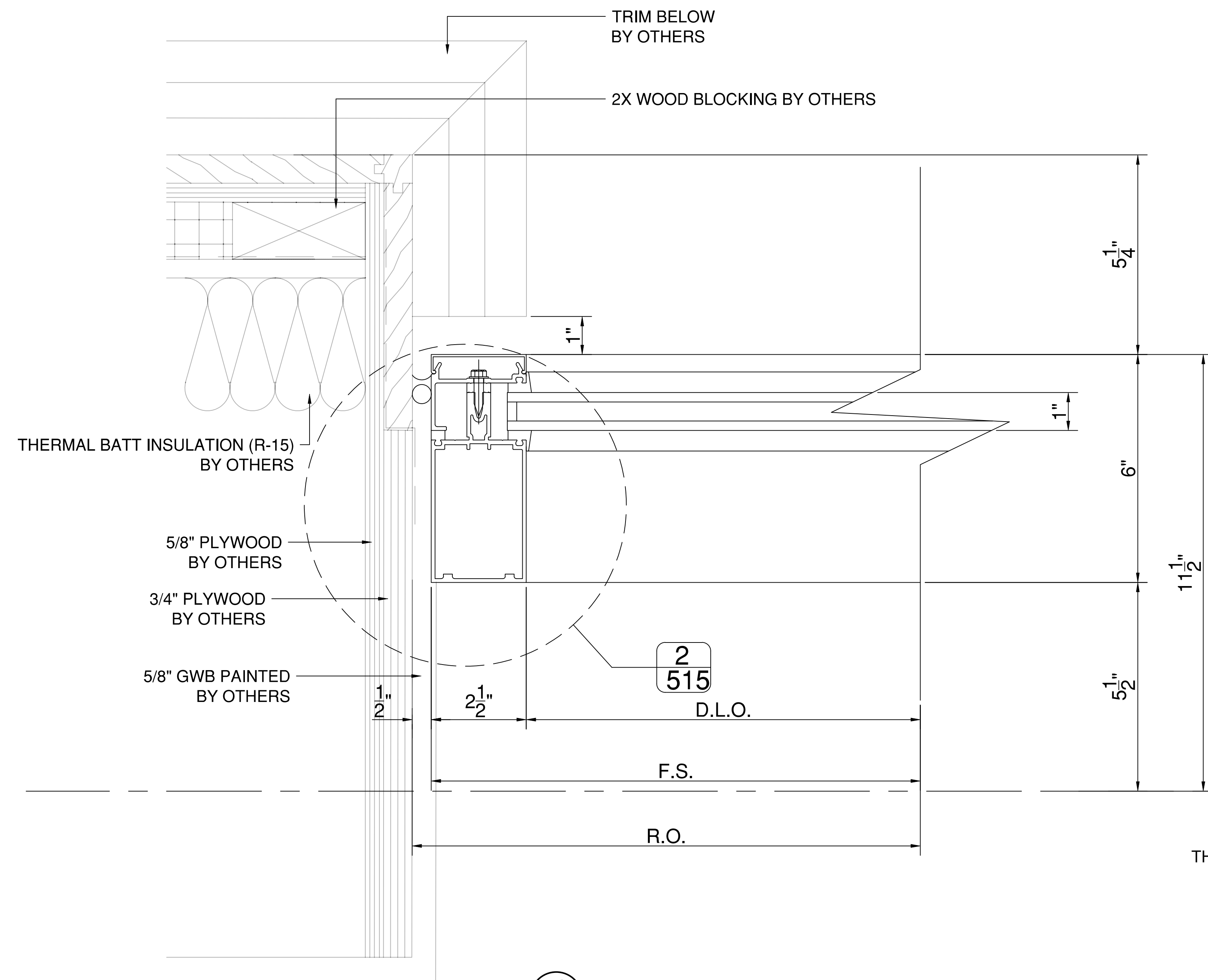
Submittal/Revision	Description	By	Date
1			

Project Name
NIDO & MARIANA QUBEIN
CHILDREN'S MUSEUM
Location
HIGH POINT, NC
Architect

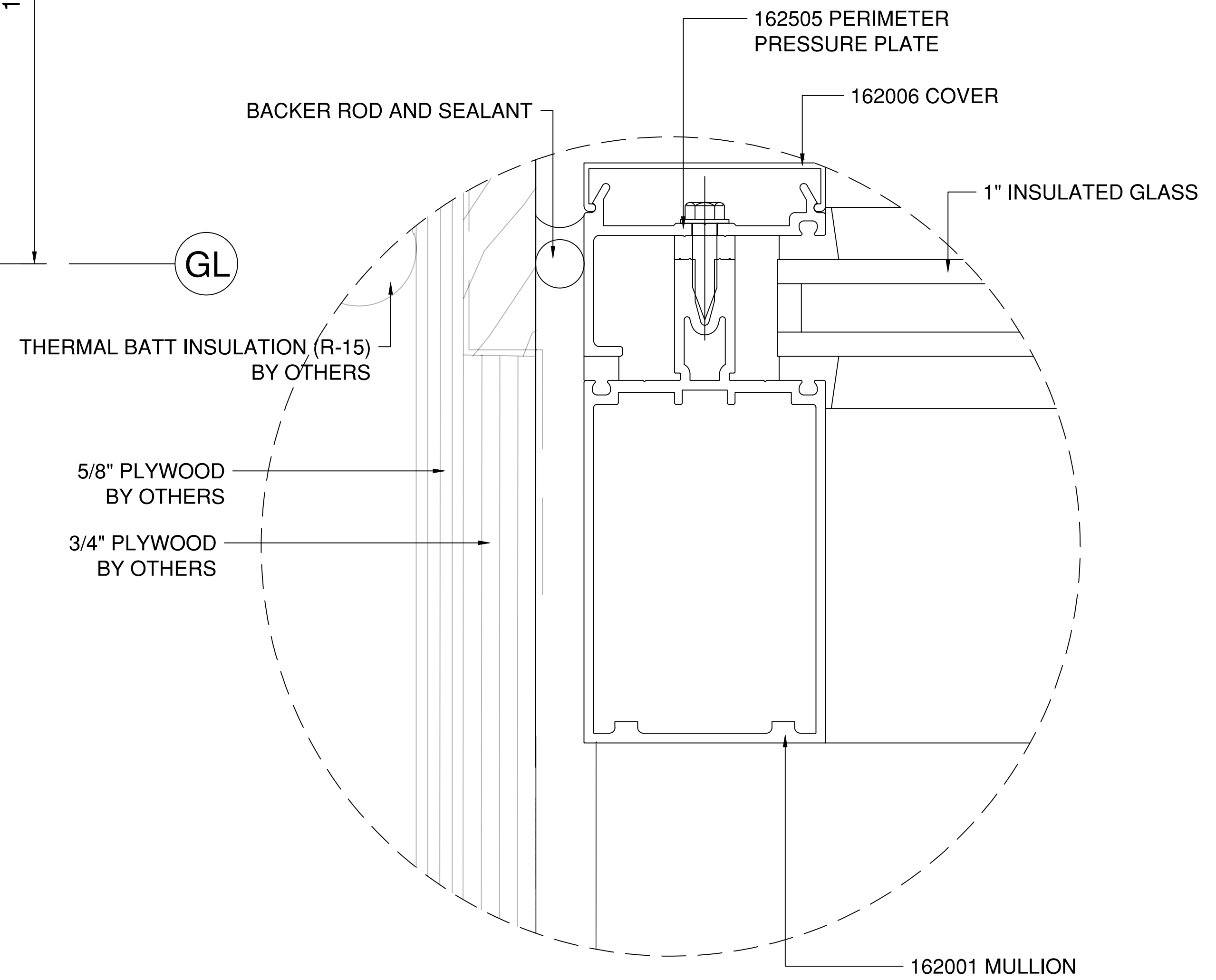
Location
HIGH POINT, NC
General Contractor

Location
Drawing Title
1600 SYS. 6" DETAILS

Date:
9/22/2020
Sheet:
514
Drawn by:
AP
Scale:
AS NOTED



1A PLAN DETAIL
 515 6" = 1 FT.
 ARCH. REF.: A8.5/6,7



2 ENLARGED DETAIL
 515 1 FT. = 1 FT.

Submittal/Revision	Description	By	Date	Sub. No.	Rev. No.
1					

Project Name
 NIDO & MARIANA QUBEIN
 CHILDREN'S MUSEUM
 Location
 HIGH POINT, NC
 Architect

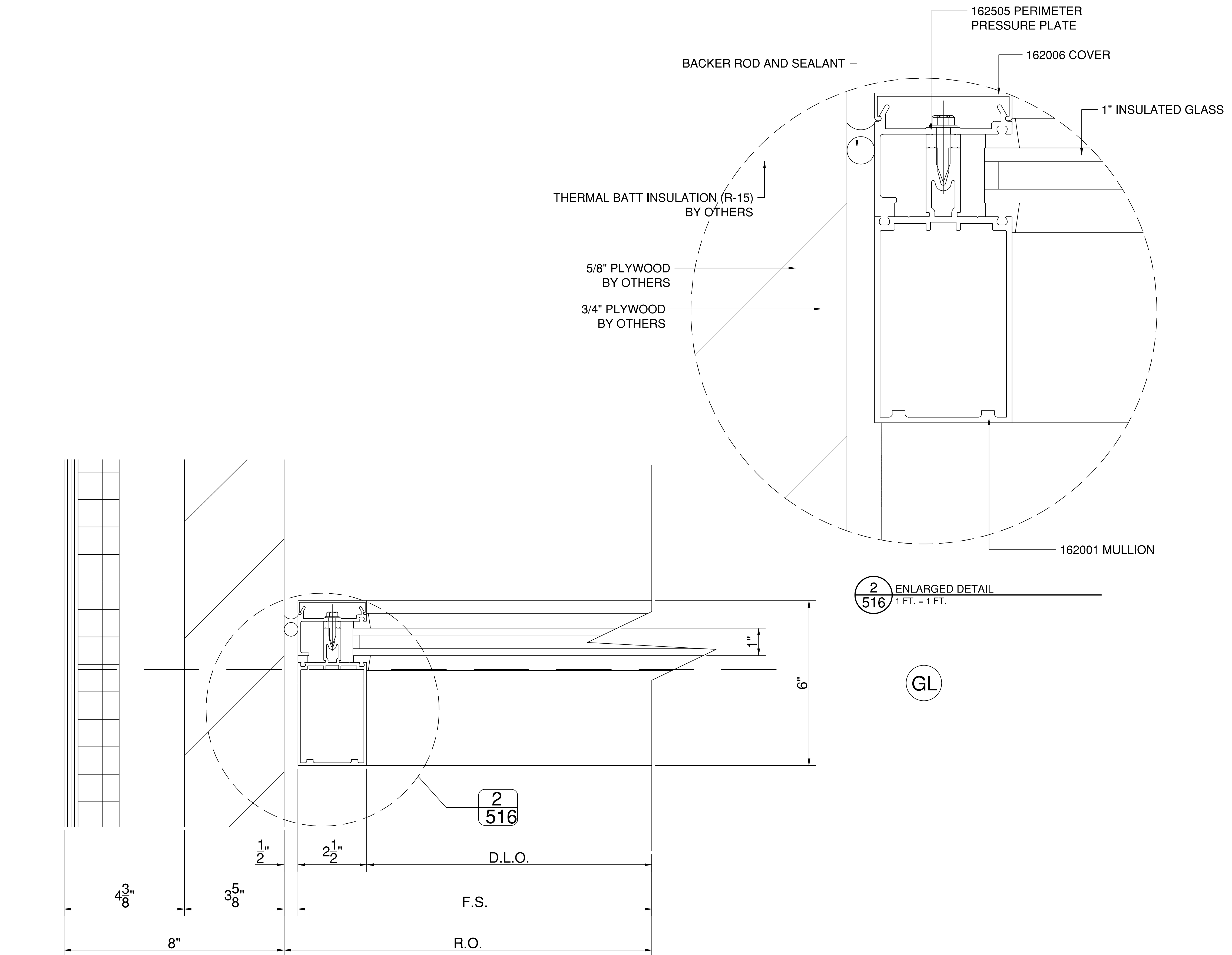
Location
 HIGH POINT, NC
 General Contractor

Location

Drawing Title
 1600 SYS. 6" DETAILS

Date:
 9/22/2020
 Drawn by:
 AP
 Scale:
 AS NOTED

Sheet:
515



1A PLAN DETAIL
 516 6" = 1 FT.
 ARCH. REF.: A8.6/15

2 ENLARGED DETAIL
 516 1 FT. = 1 FT.

Submittal/Revision	Description	By	Date	Sub. No.	Rev. No.
1					

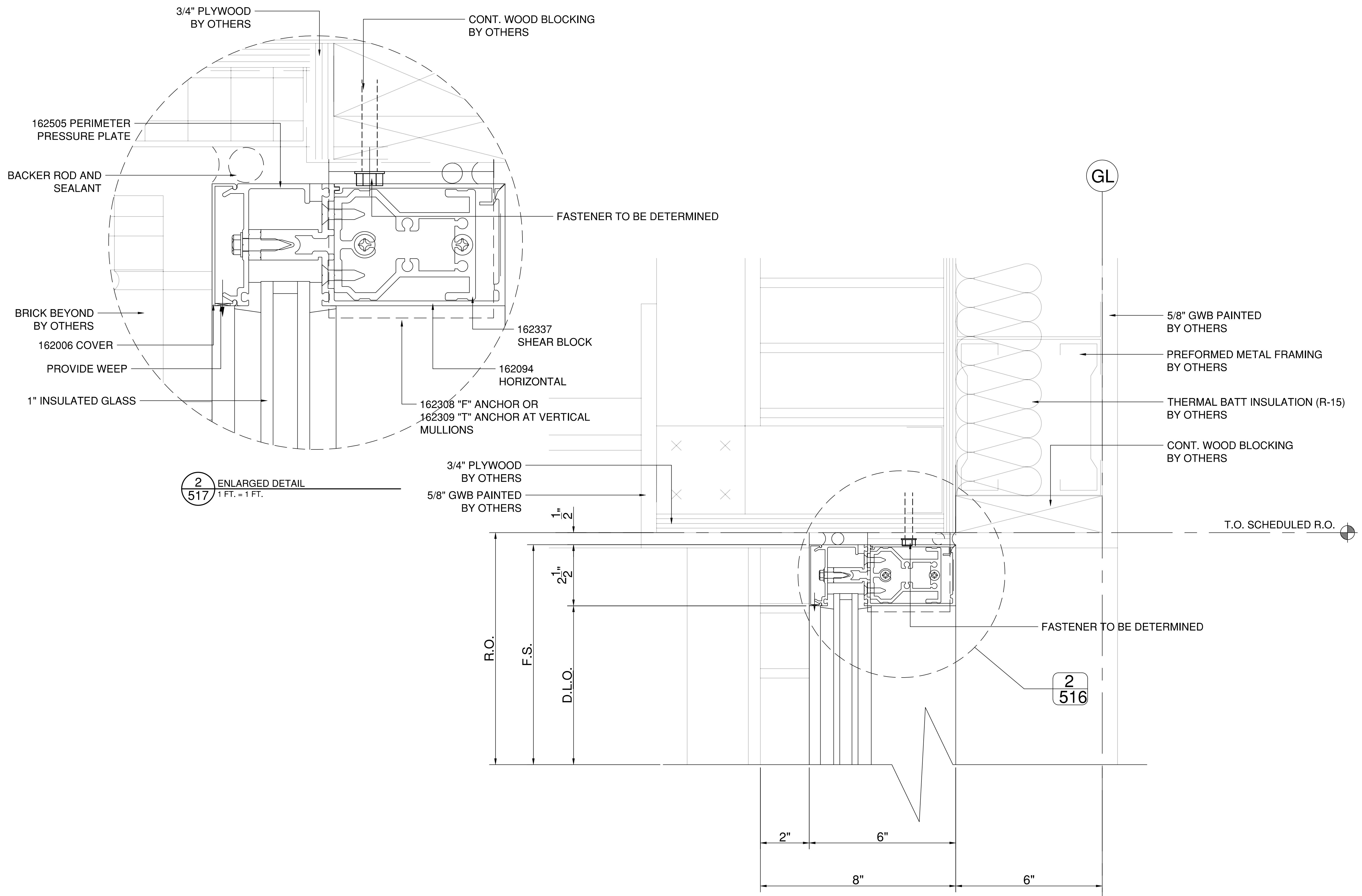
Project Name
 NIDO & MARIANA QUBEIN
 CHILDREN'S MUSEUM
 Location
 HIGH POINT, NC
 Architect

Location
 HIGH POINT, NC
 General Contractor

Location
 Drawing Title
 1600 SYS. 6" DETAILS

Date:
 9/22/2020
 Drawn by:
 AP
 Scale:
 AS NOTED

Sheet:
516



2 ENLARGED DETAIL
517 1 FT. = 1 FT.

1A SECTION DETAIL
517 6" = 1 FT.
ARCH. REF.: A8.6/9

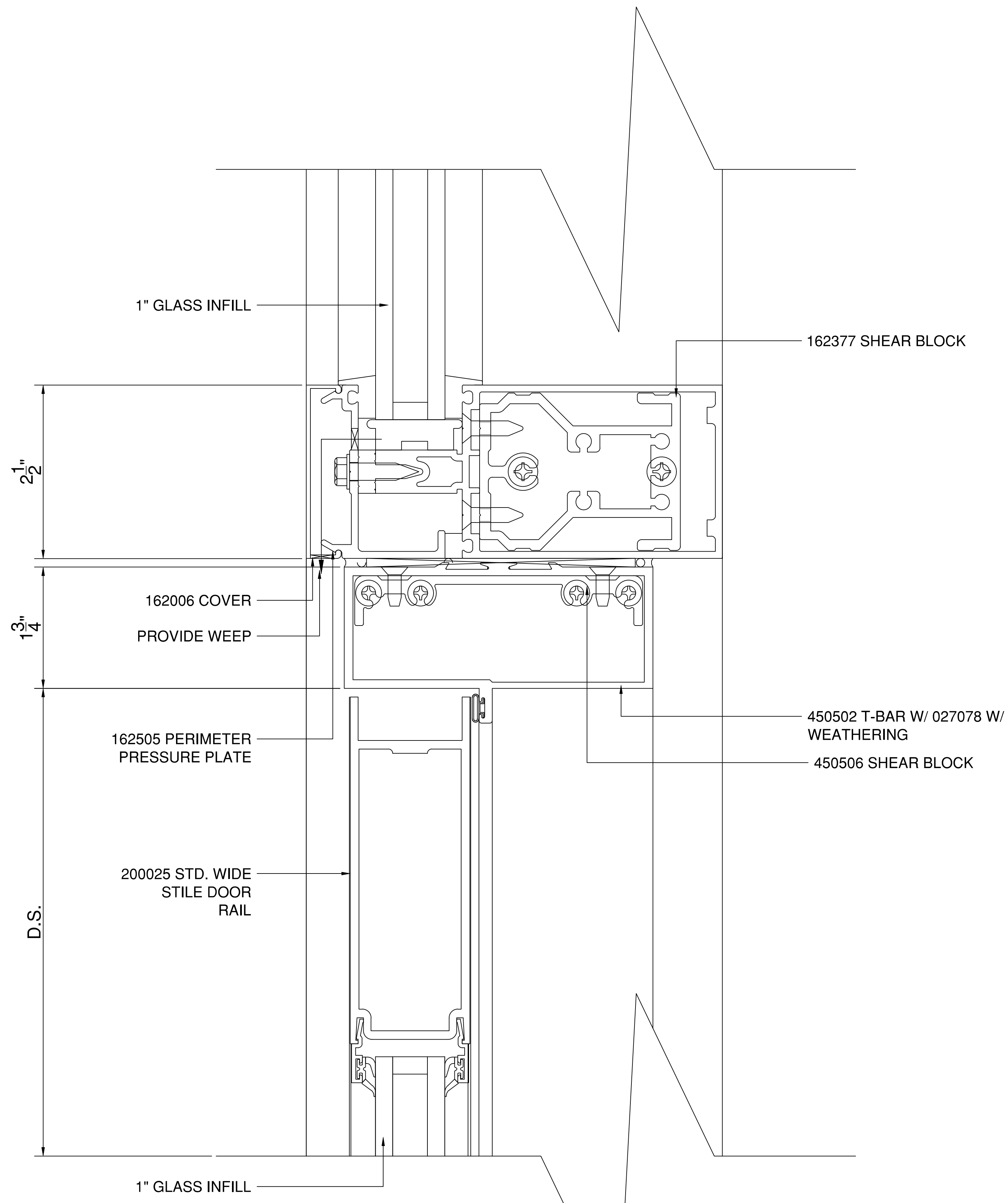
Submittal/Revision	Description	By	Date	Sub. No.	Rev. No.
1					

Project Name
NIDO & MARIANA QUBEIN
CHILDREN'S MUSEUM
Location
HIGH POINT, NC
Architect

Location
HIGH POINT, NC
General Contractor

Location
Drawing Title
1600 SYS. 6" DETAILS

Date:
9/22/2020
Sheet:
517
Drawn by:
AP
Scale:
AS NOTED



1A SECTION DETAIL
 518 1 FT. = 1 FT.
 ARCH. REF.: A8.3/6

Submittal/Revision	Description	By	Date
1			

Project Name
 NIDO & MARIANA QUBEIN
 CHILDREN'S MUSEUM
 Location
 HIGH POINT, NC
 Architect

Location
 HIGH POINT, NC
 General Contractor

Location

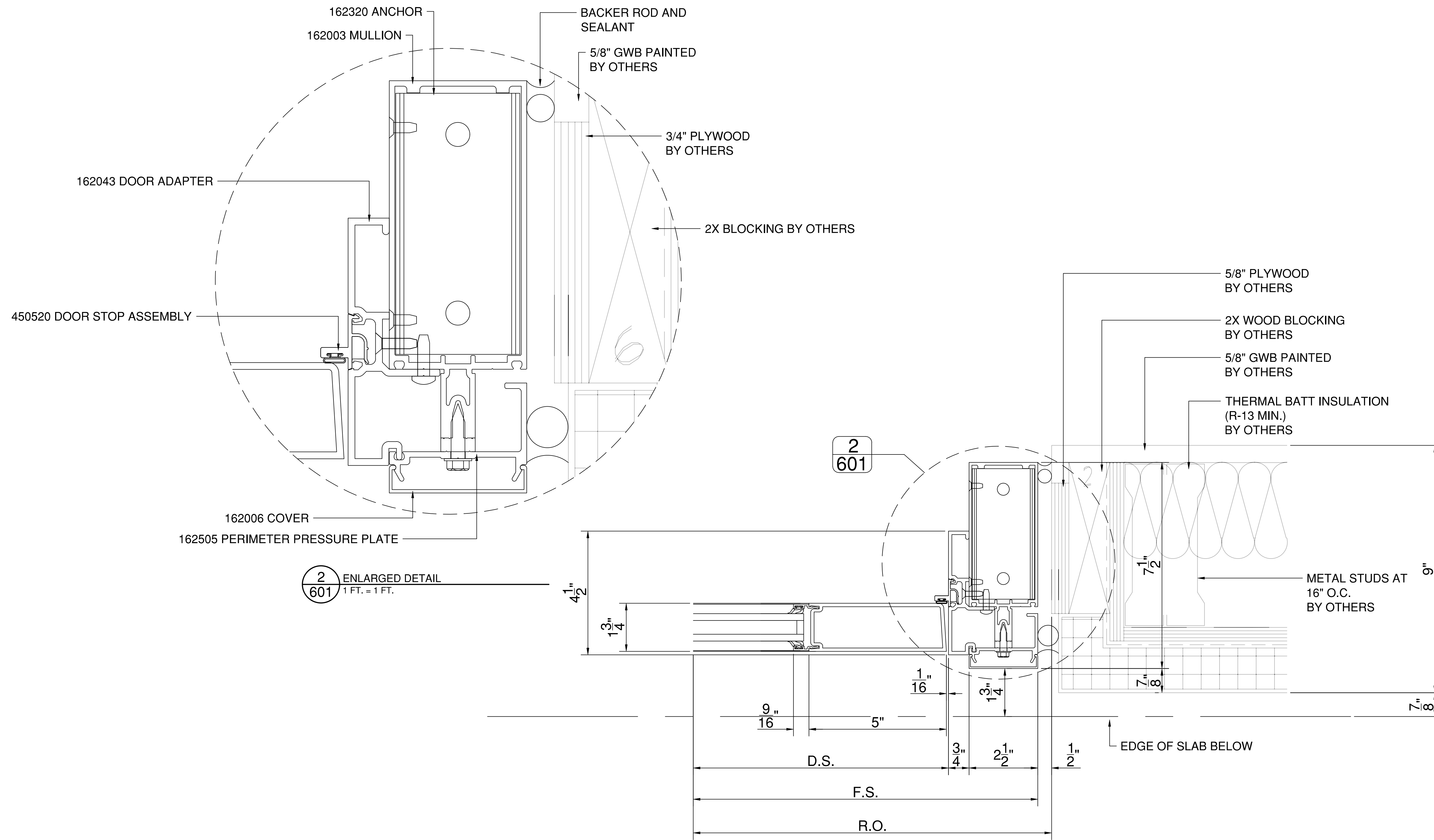
Drawing Title
 1600 SYS. 6" DETAILS

Date:
 9/22/2020

Sheet:
518

Drawn by:
 AP

Scale:
 AS NOTED



2 ENLARGED DETAIL
601 1 FT. = 1 FT.

1A PLAN DETAIL
601 6" = 1 FT.
ARCH. REF.: A8.3/11

Submittal/Revision	Description	By	Date
1	Sub. No.		

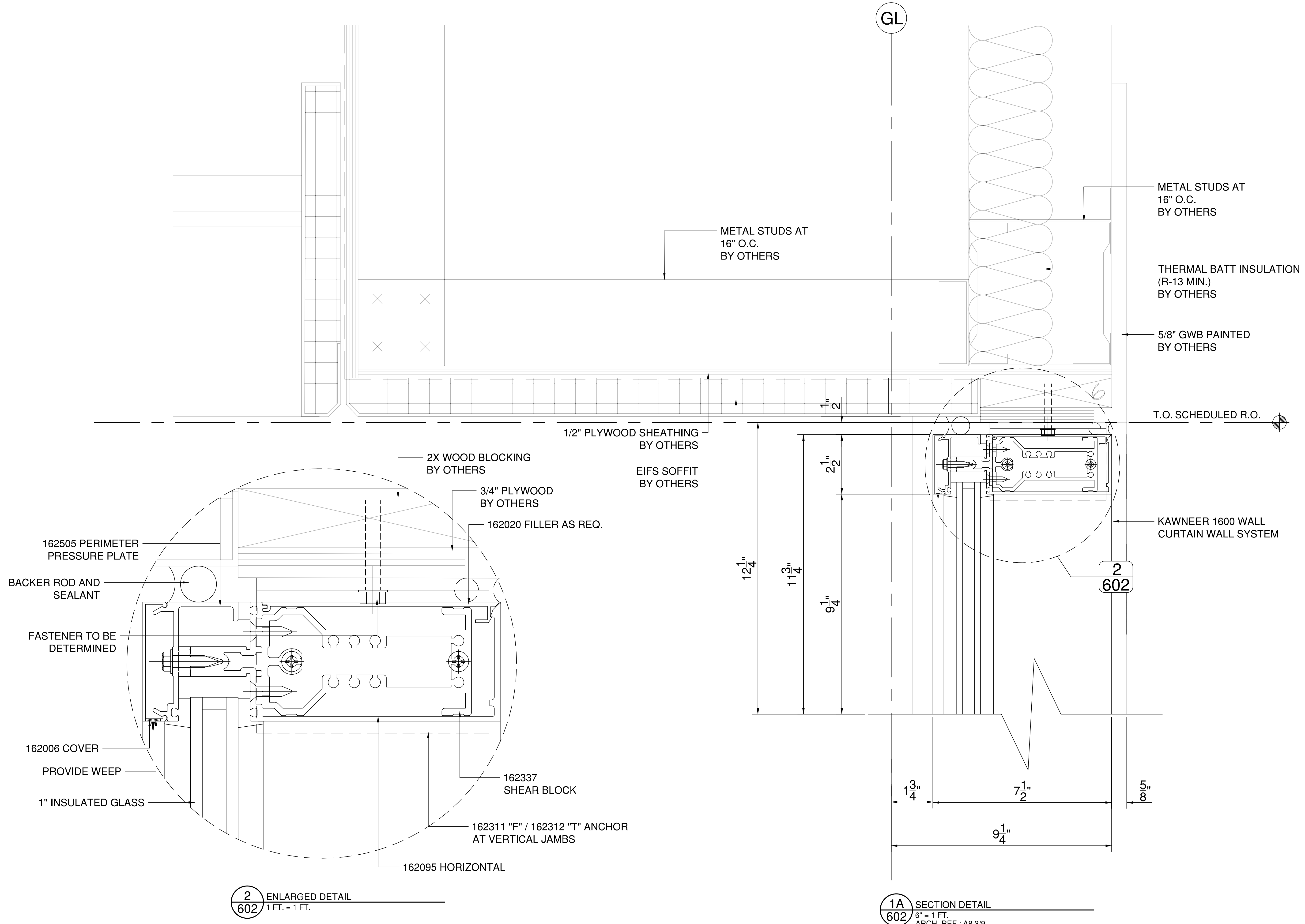
Project Name
NIDO & MARIANA QUBEIN
CHILDREN'S MUSEUM
Location
HIGH POINT, NC
Architect

Location
HIGH POINT, NC
General Contractor

Drawing Title
1600 SYS. 7-1/2"
DETAILS

Date:
9/22/2020
Drawn by:
AP
Scale:
AS NOTED

Sheet:
601



Submittal/Revision	Description	By	Date
1			

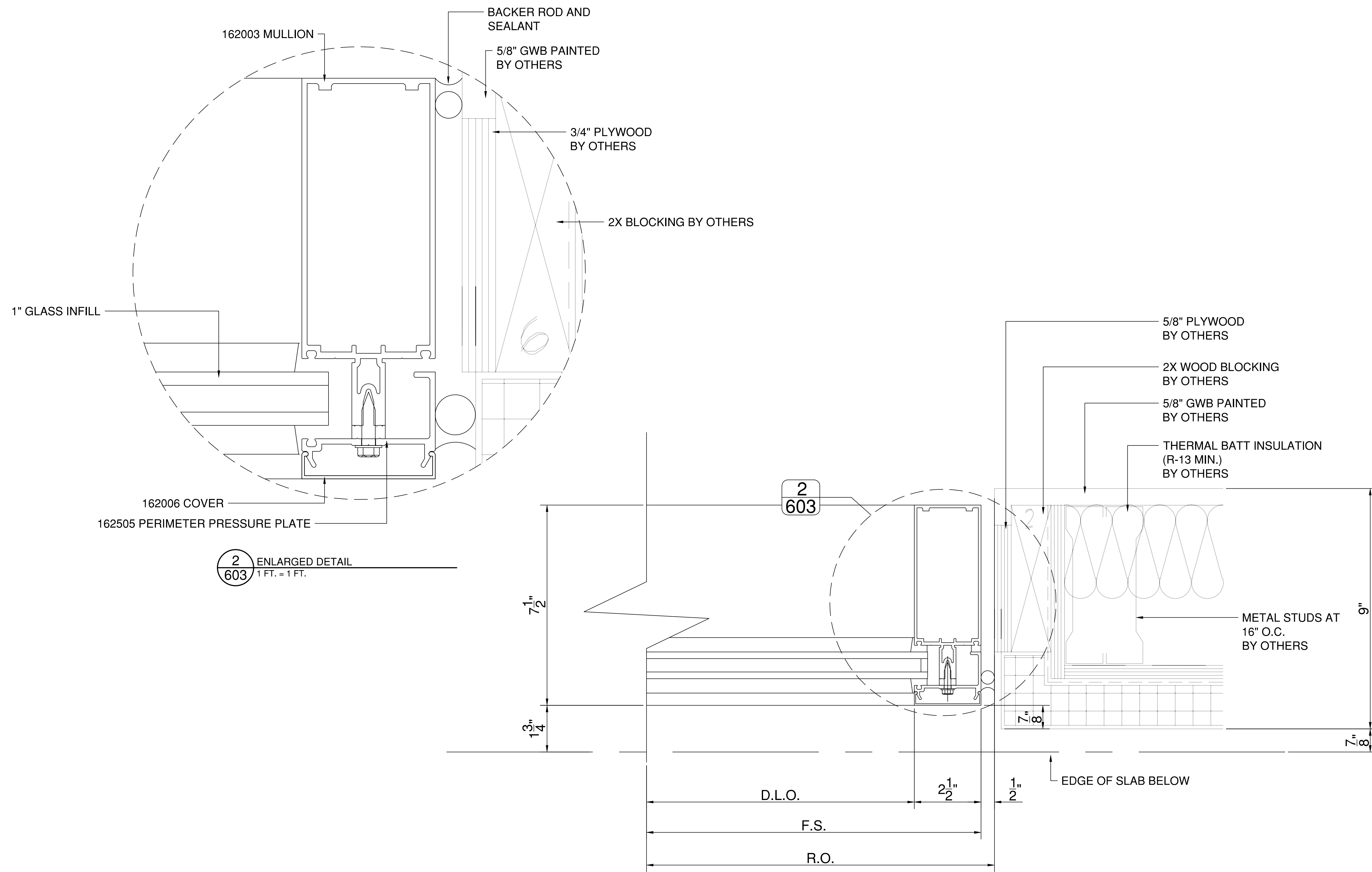
Project Name
 NIDO & MARIANA QUBEIN
 CHILDREN'S MUSEUM
 Location
 HIGH POINT, NC
 Architect

Location
 HIGH POINT, NC
 General Contractor

Drawing Title
 1600 SYS. 7-1/2"
 DETAILS

Date:
 9/22/2020
 Drawn by:
 AP
 Scale:
 AS NOTED

Sheet:
602



2 ENLARGED DETAIL
603 1 FT. = 1 FT.

1A PLAN DETAIL
603 6" = 1 FT.
ARCH. REF.: A8.3/11

Submittal/Revision	Description	By	Date	Sub. No.	Rev. No.
1					

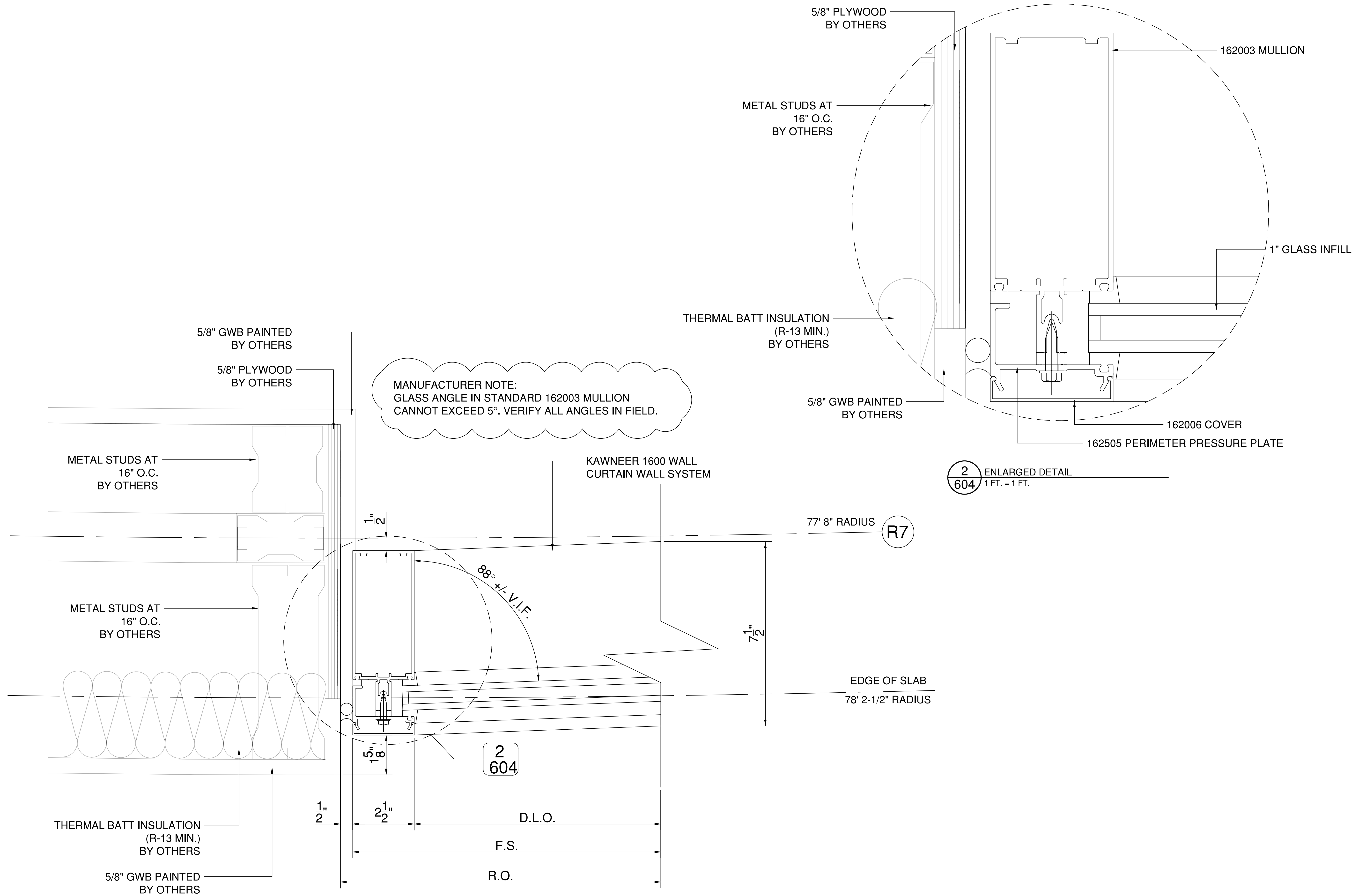
Project Name
NIDO & MARIANA QUBEIN
CHILDREN'S MUSEUM
Location
HIGH POINT, NC
Architect

Location
HIGH POINT, NC
General Contractor

Location
Drawing Title
1600 SYS. 7-1/2"
DETAILS

Date:
9/22/2020
Drawn by:
AP
Scale:
AS NOTED

Sheet:
603



MANUFACTURER NOTE:
GLASS ANGLE IN STANDARD 162003 MULLION
CANNOT EXCEED 5°. VERIFY ALL ANGLES IN FIELD.

1A PLAN DETAIL
604 6" = 1 FT.
ARCH. REF.: A8.4/4

2 ENLARGED DETAIL
604 1 FT. = 1 FT.

Submittal/Revision	Description	By	Date
1	Sub.		

Project Name
NIDO & MARIANA QUBEIN
CHILDREN'S MUSEUM
Location
HIGH POINT, NC
Architect

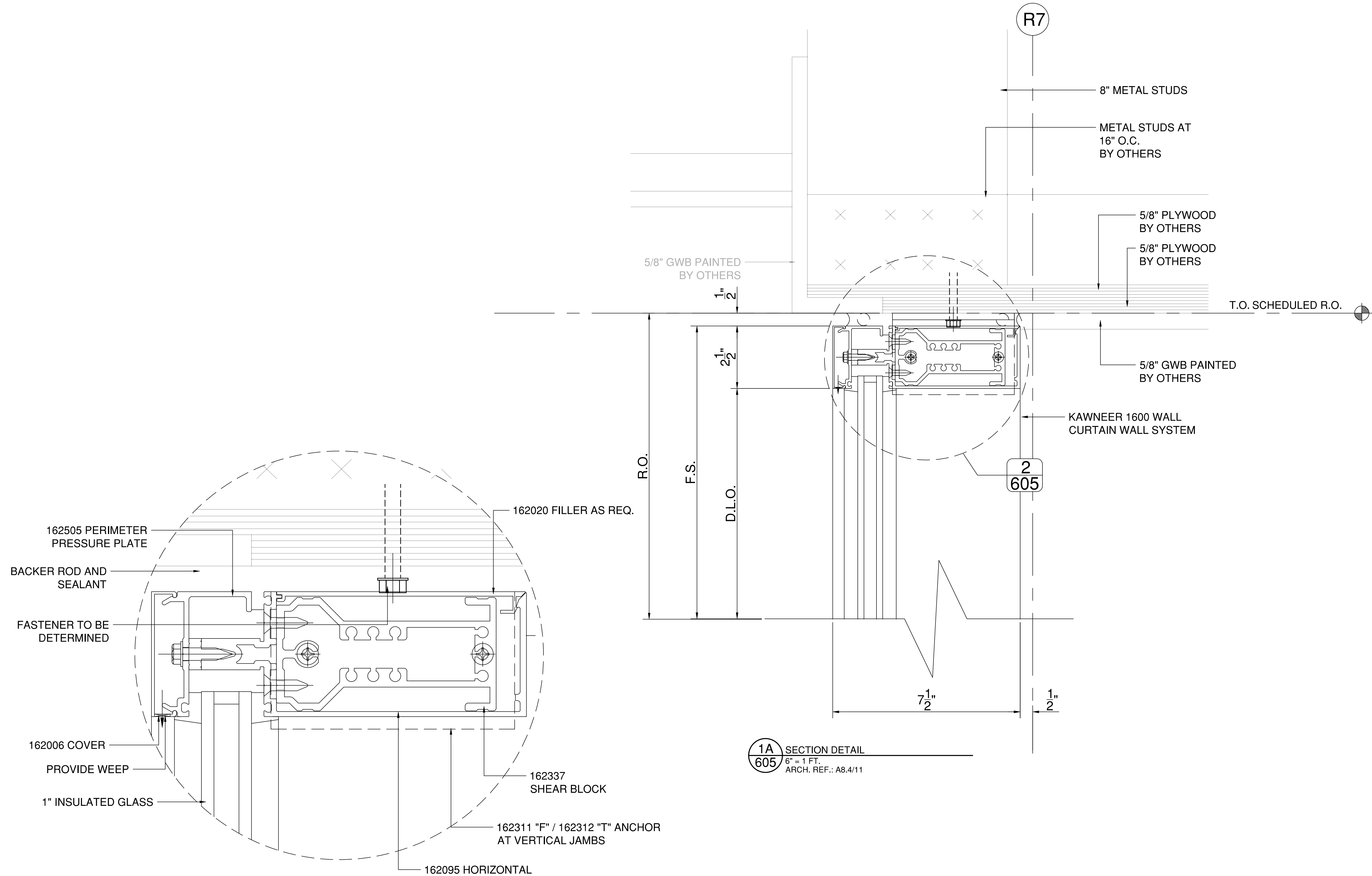
Location
HIGH POINT, NC
General Contractor

Location

Drawing Title
1600 SYS. 7-1/2"
DETAILS

Date:
9/22/2020
Drawn by:
AP
Scale:
AS NOTED

Sheet:
604



Submittal/Revision	Description	By	Date	Sub. No.	Rev. No.
1					

Project Name
NIDO & MARIANA QUBEIN
CHILDREN'S MUSEUM
Location
HIGH POINT, NC
Architect

Location
HIGH POINT, NC
General Contractor

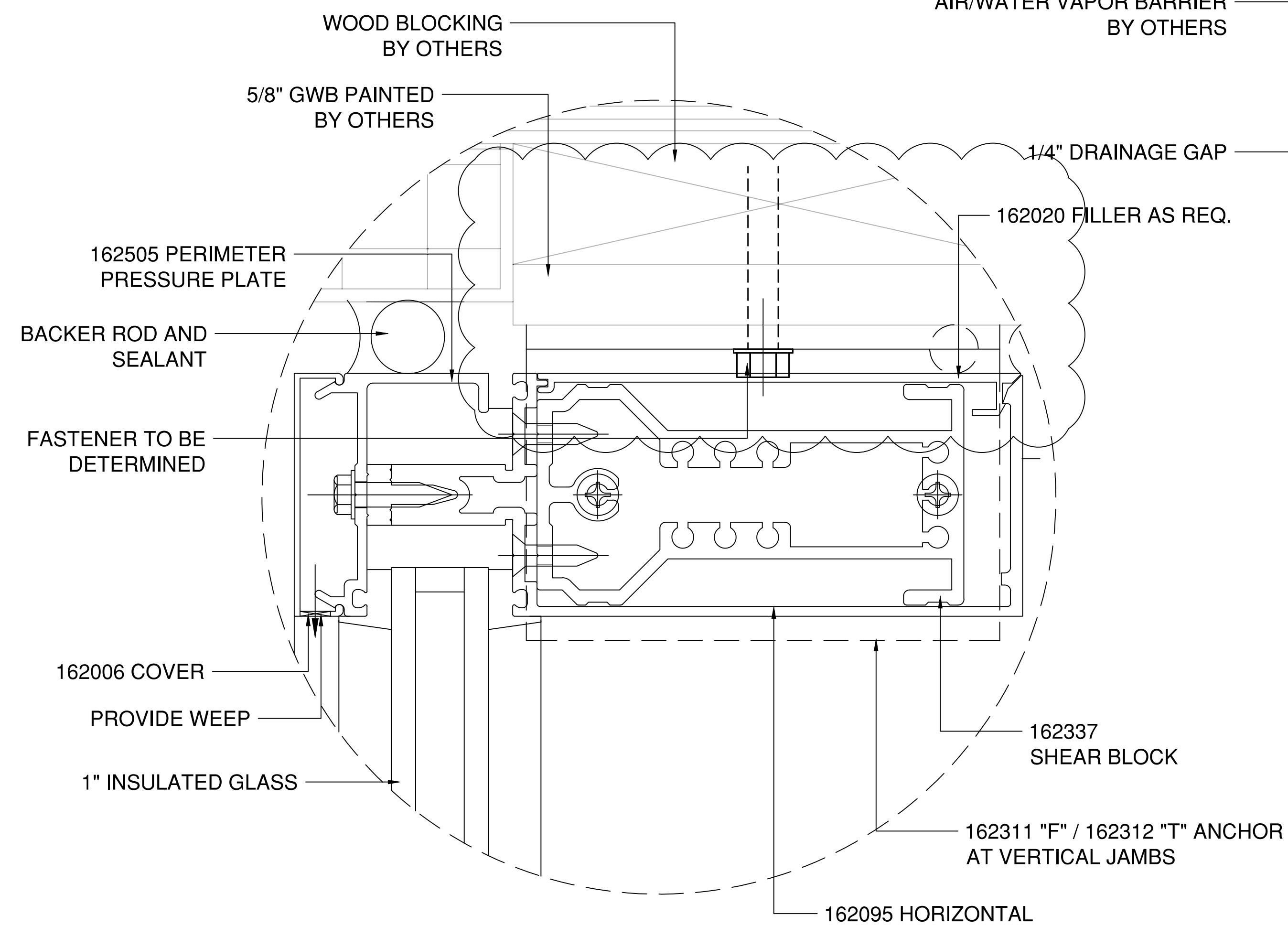
Location

Drawing Title
1600 SYS. 7-1/2"
DETAILS

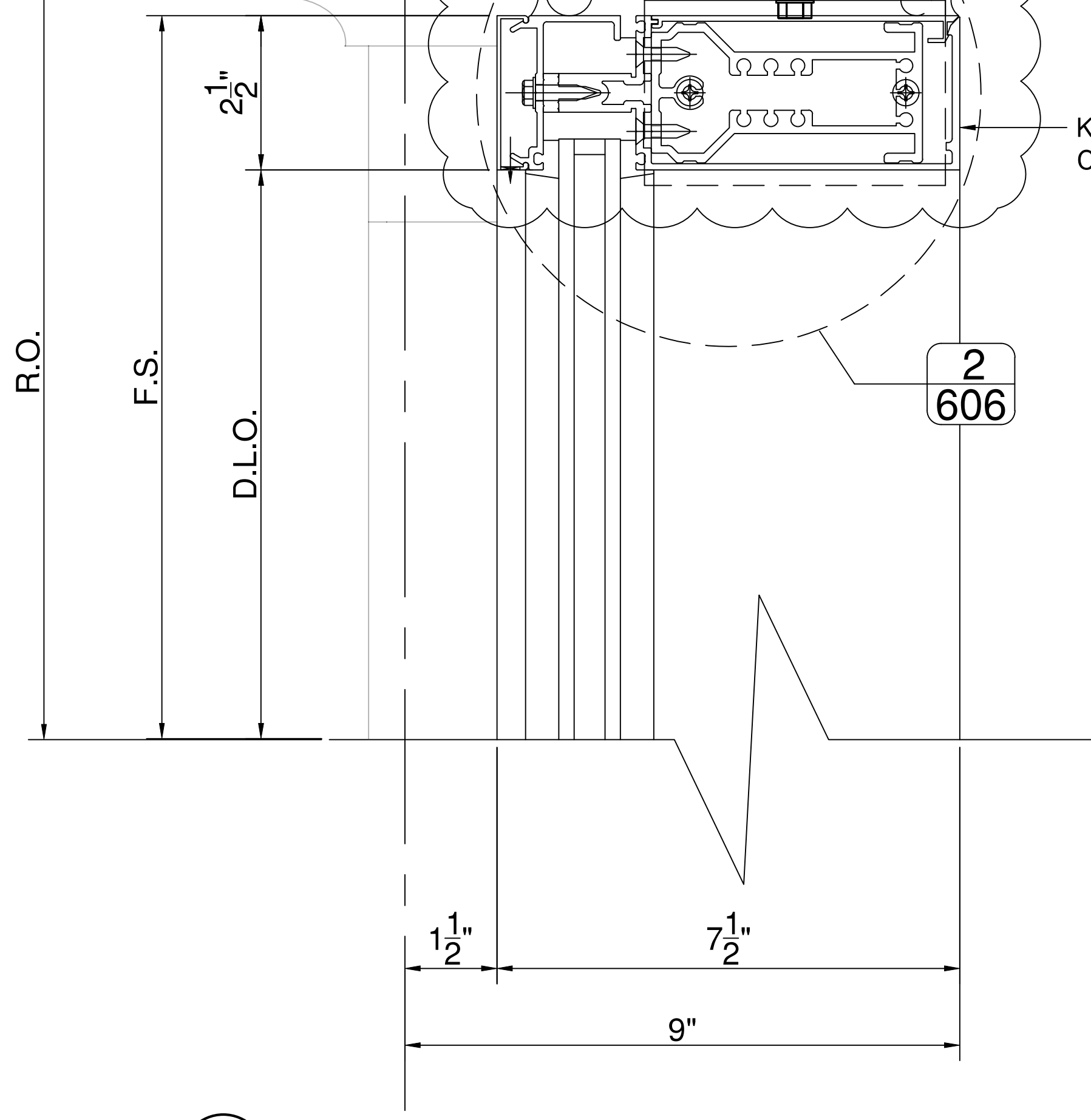
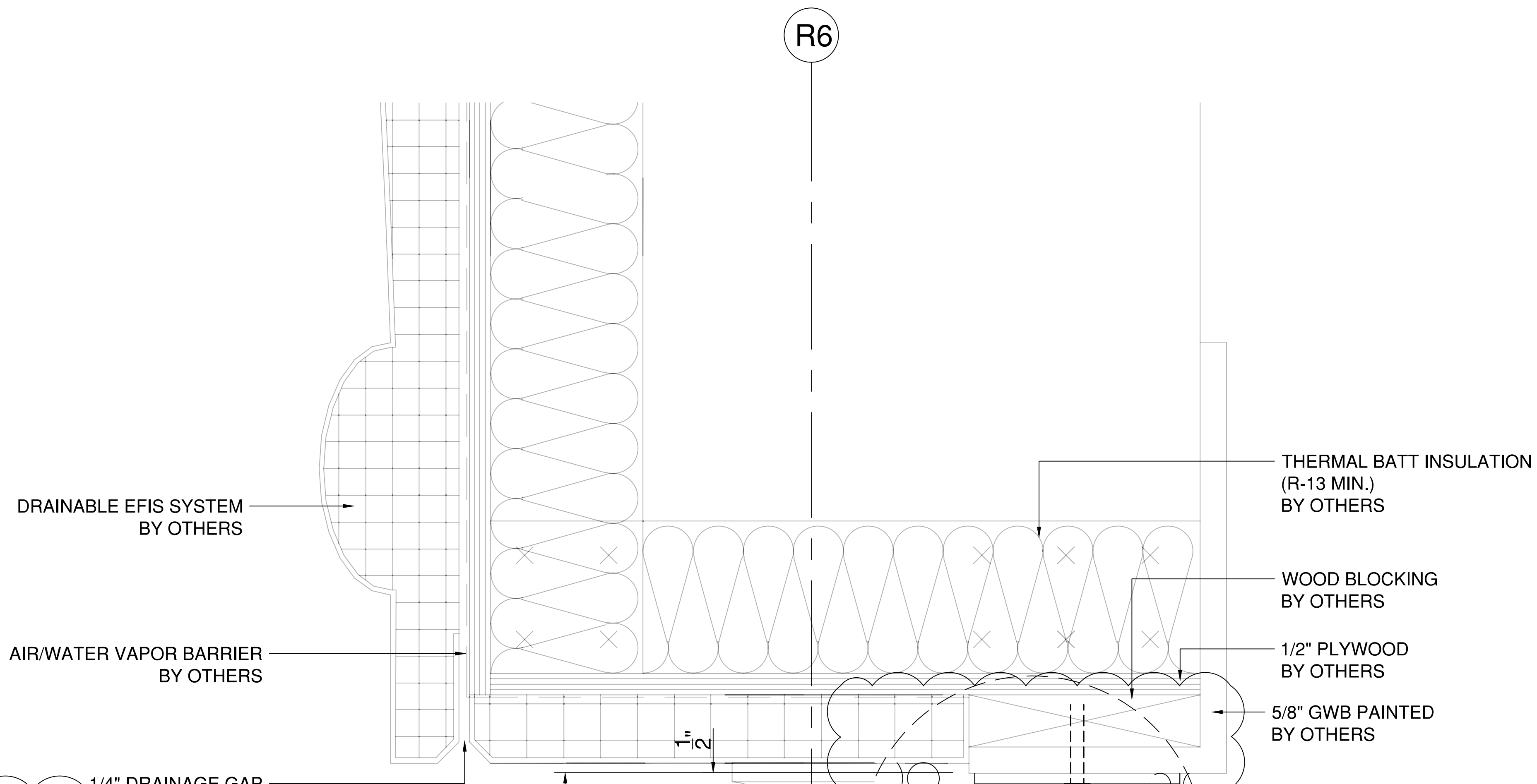
Date:
9/22/2020
Drawn by:
AP
Scale:
AS NOTED

Sheet:
605

ARCHITECT/ G.C. NOTE:
 DETAIL SHOWS GWB AT CURTAIN WALL ANCHOR
 LOCATION. RECOMMENDED THAT ANCHOR BE
 DIRECTLY MOUNTED TO WOOD SURFACE. PROVIDE
 5/8" PLYWOOD IN THIS LOCATION SIMILAR TO OTHER
 DETAILS PROVIDED. PLEASE NOTE ACCEPTANCE



2 ENLARGED DETAIL
 606 1 FT. = 1 FT.



1A SECTION DETAIL
 606 6" = 1 FT. ARCH. REF.: A8.4/11

Submittal/Revision	Description	By	Date
1			

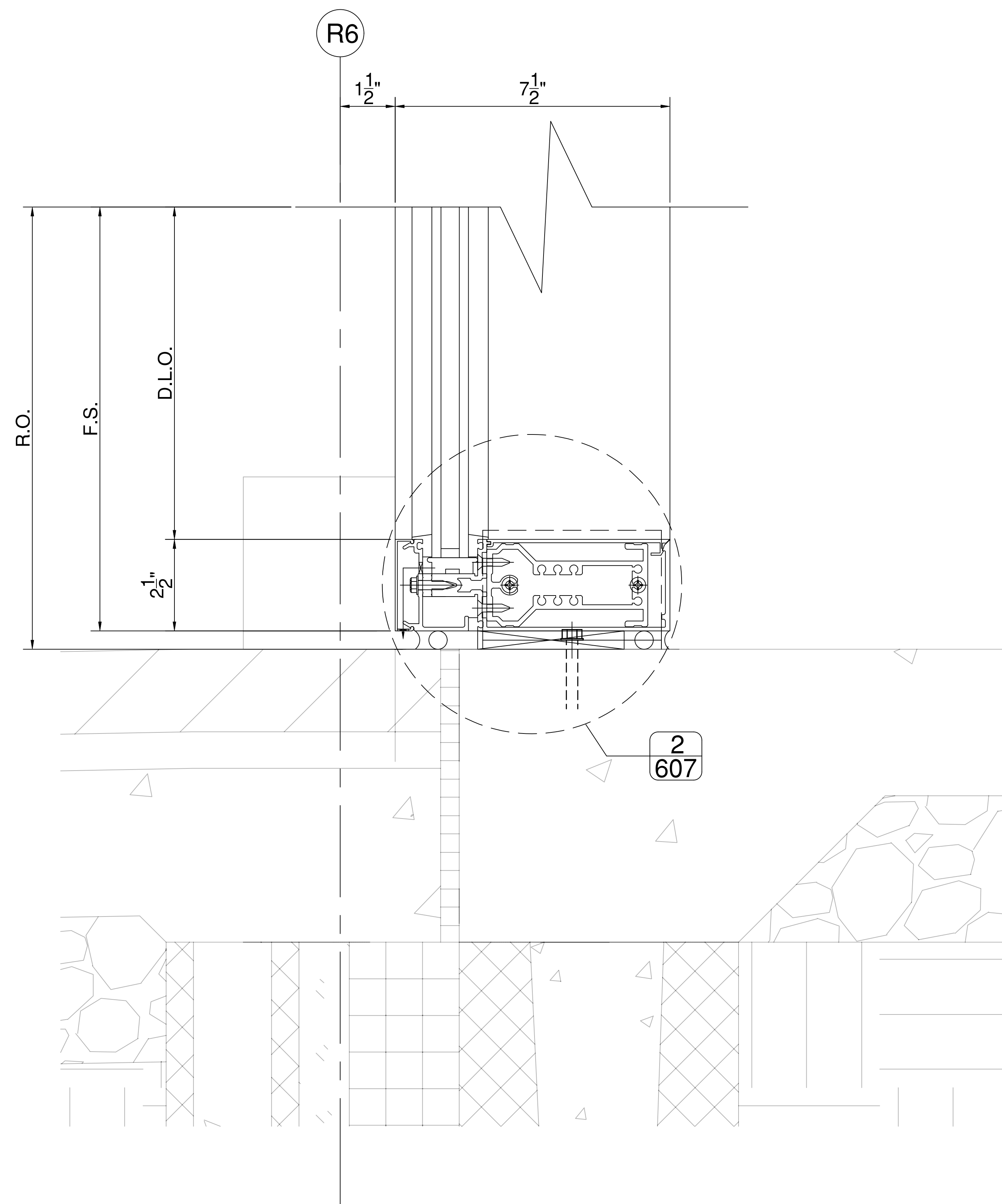
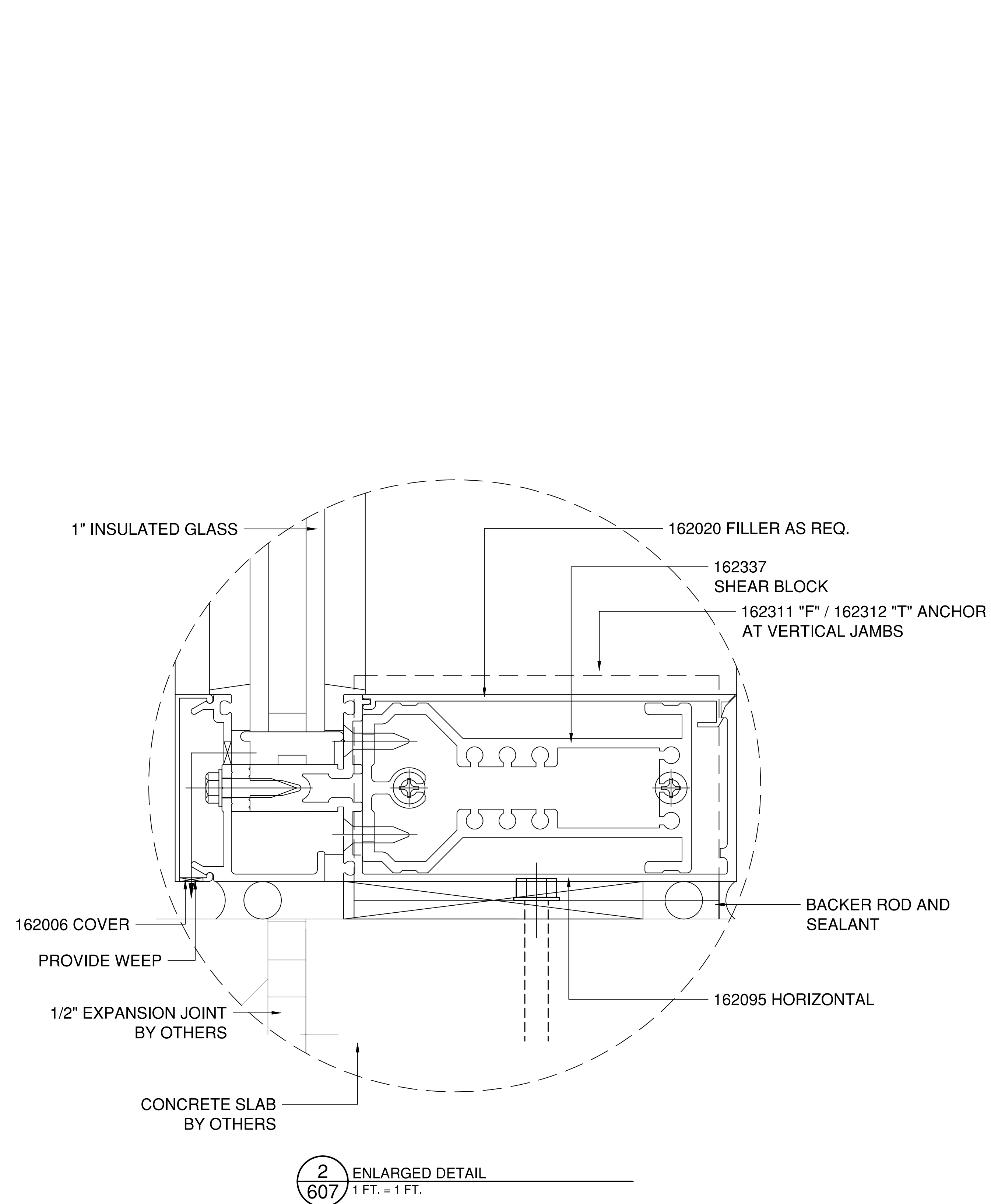
Project Name
 NIDO & MARIANA QUBEIN
 CHILDREN'S MUSEUM
 Location
 HIGH POINT, NC
 Architect

Location
 HIGH POINT, NC
 General Contractor

Location
 Drawing Title
 1600 SYS. 7-1/2"
 DETAILS

Date:
 9/22/2020
 Drawn by:
 AP
 Scale:
 AS NOTED

Sheet:
606



1A
607 SECTION DETAIL
6" = 1 FT.
ARCH. REF.: A8.4/7

Submittal/Revision	Description	By	Date
1			

Project Name
NIDO & MARIANA QUBEIN
CHILDREN'S MUSEUM
Location
HIGH POINT, NC
Architect

Location
HIGH POINT, NC
General Contractor

Location

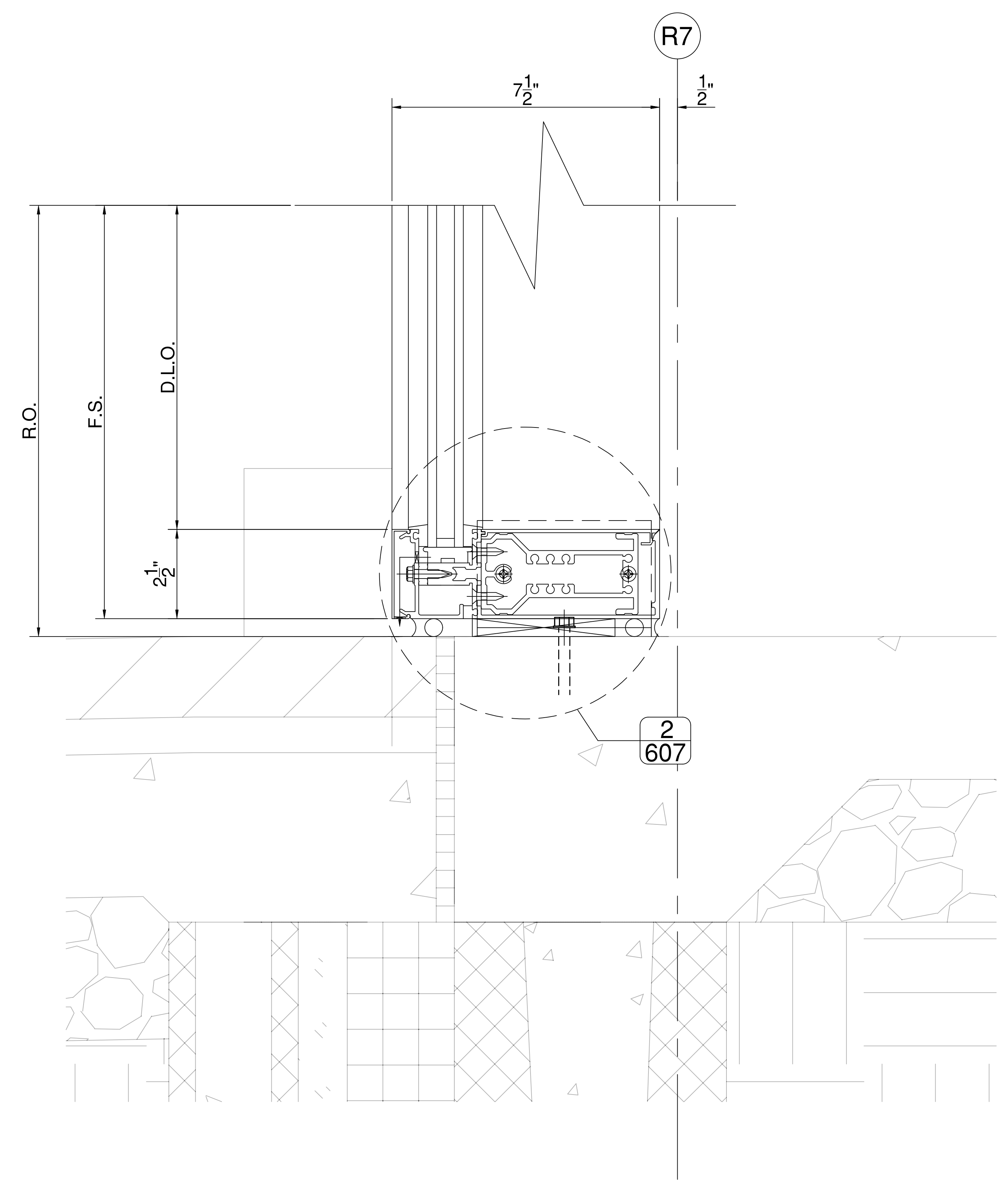
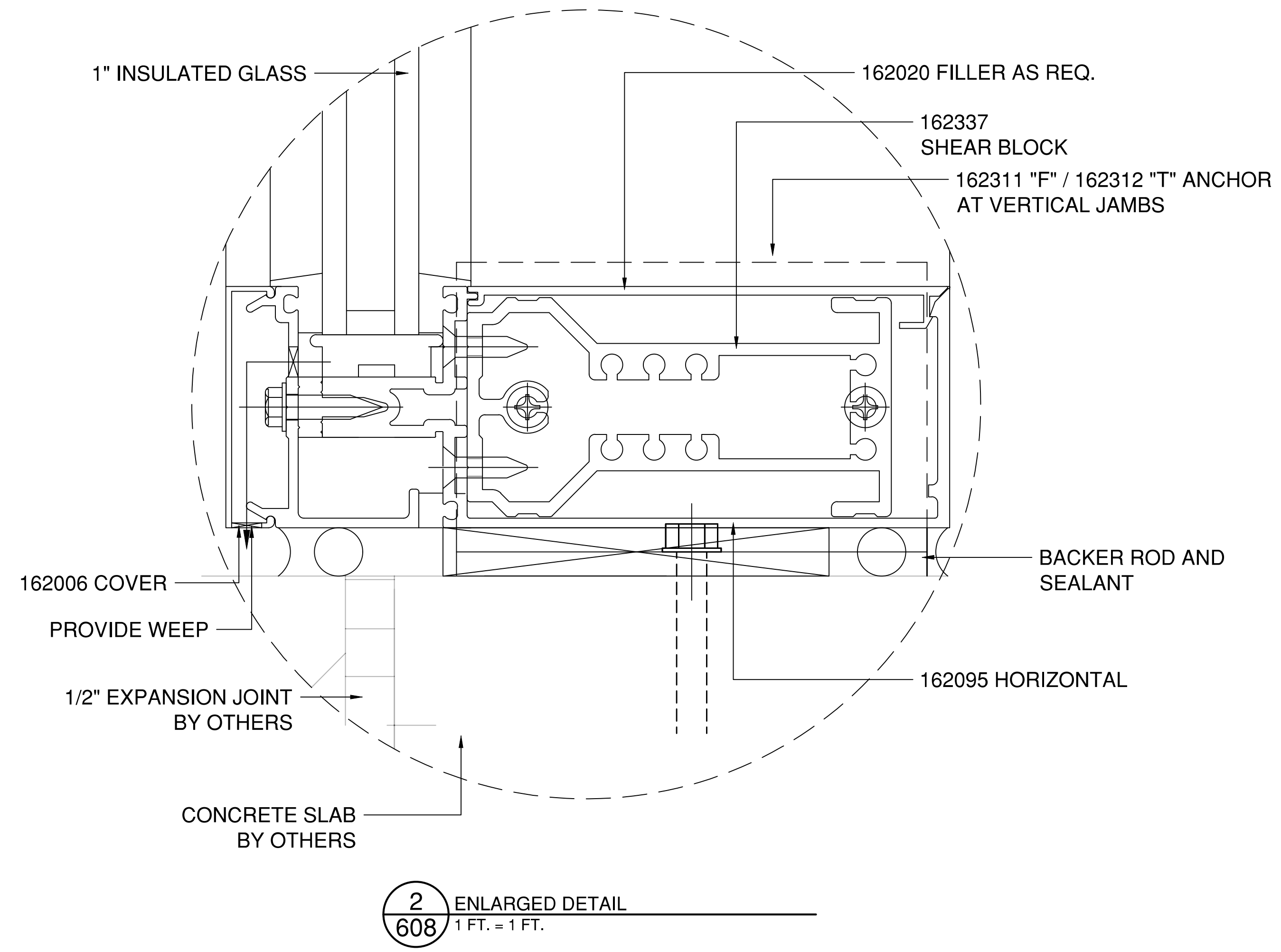
Drawing Title
1600 SYS. 7-1/2"
DETAILS

Date:
9/22/2020

Drawn by:
AP

Scale:
AS NOTED

Sheet:
607



1A
608 SECTION DETAIL
6" = 1 FT.
ARCH. REF.: A8.4/8

Submittal/Revision	Description	By	Date
1			

Project Name
NIDO & MARIANA QUBEIN
CHILDREN'S MUSEUM
Location
HIGH POINT, NC
Architect

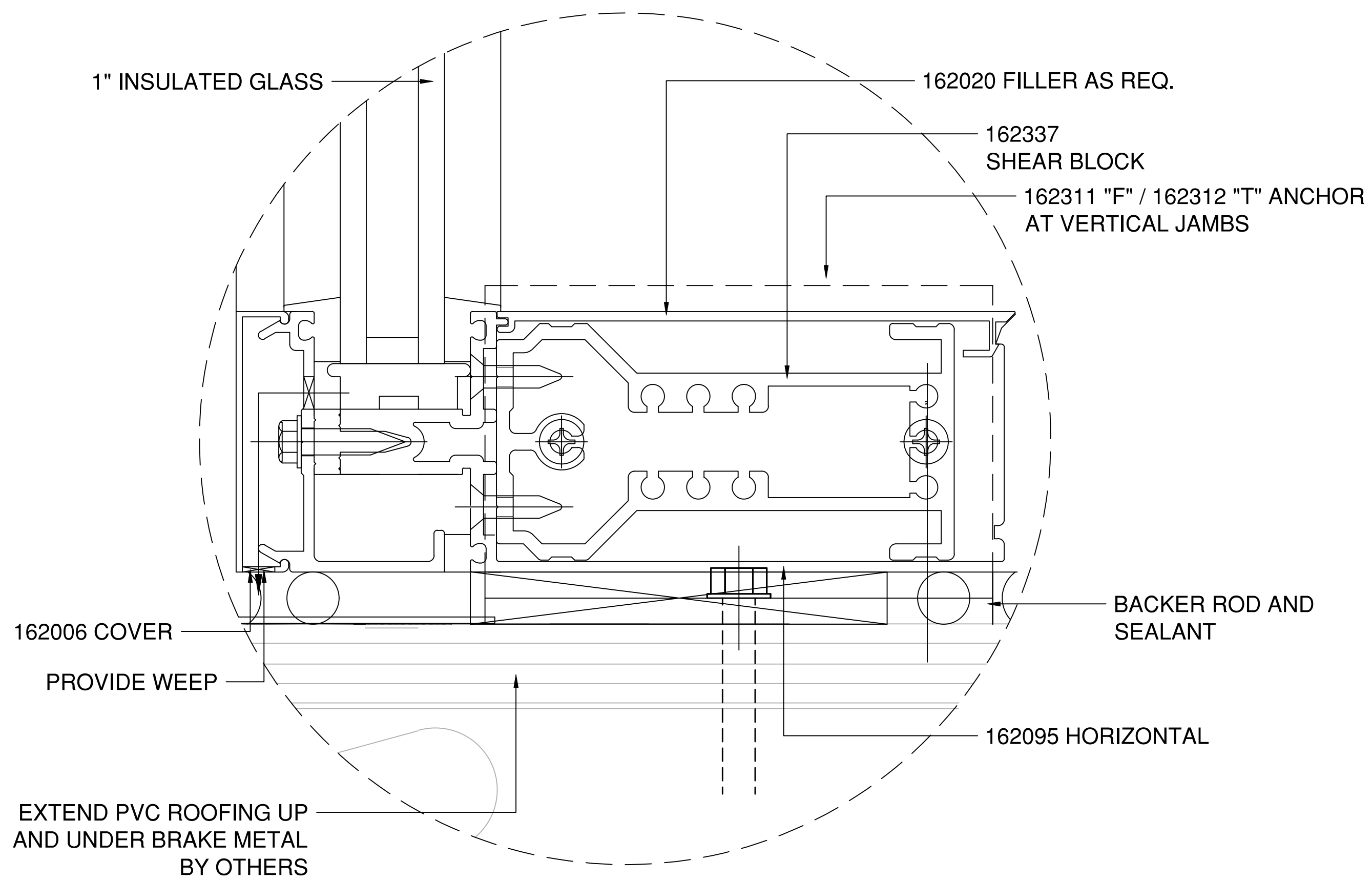
Location
HIGH POINT, NC
General Contractor

Location

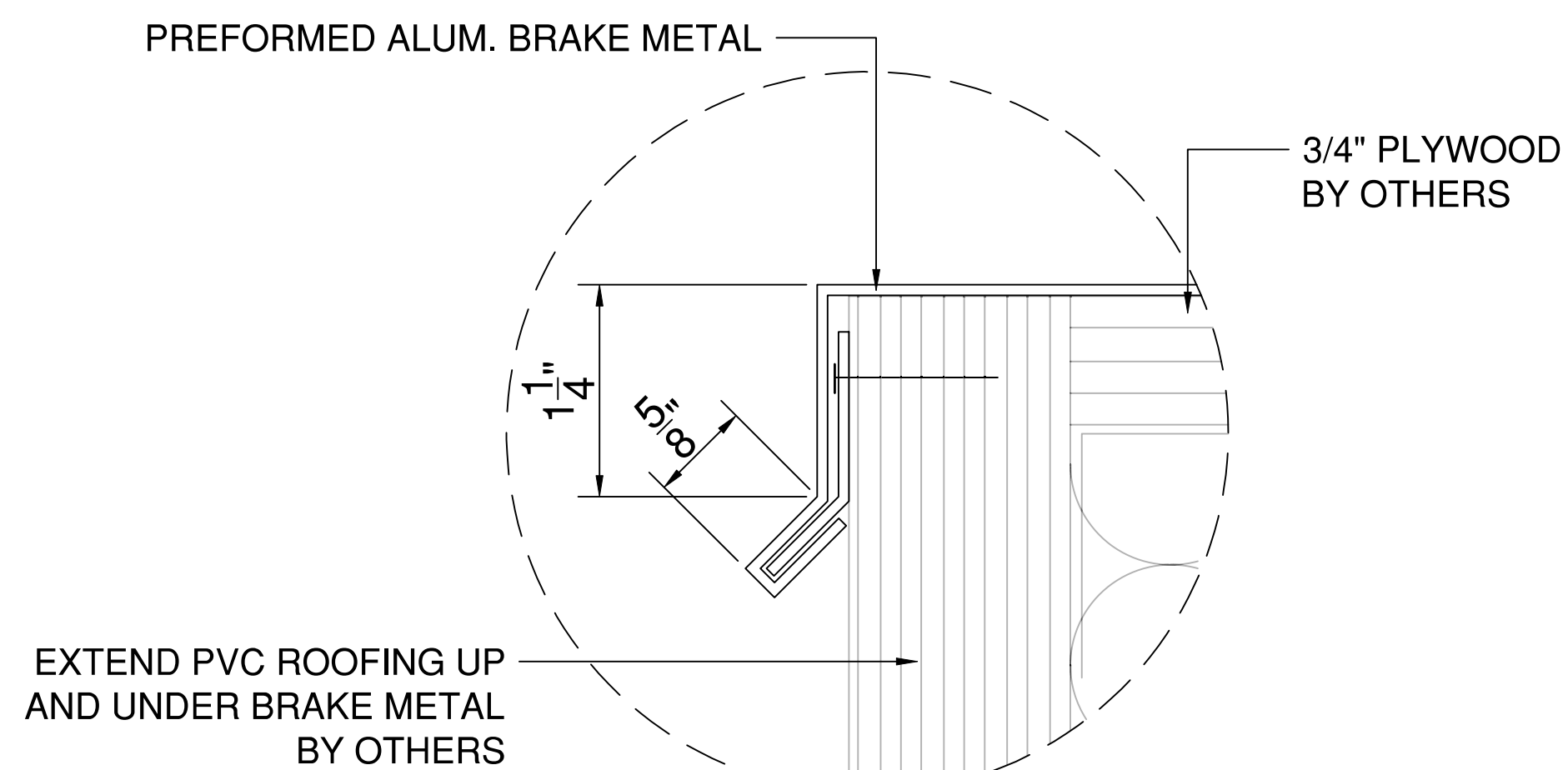
Drawing Title
1600 SYS. 7-1/2"
DETAILS

Date:
9/22/2020
Drawn by:
AP
Scale:
AS NOTED

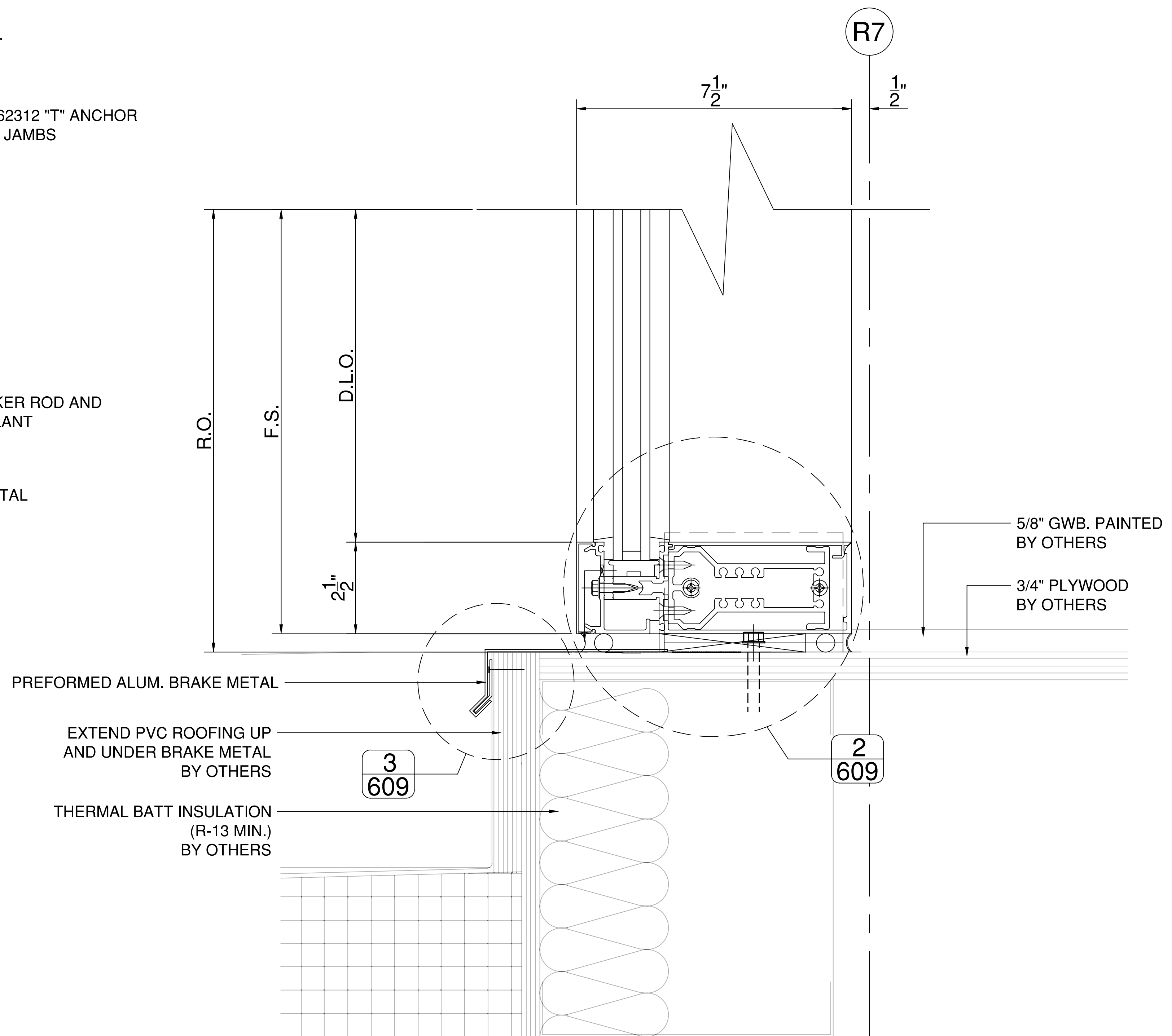
Sheet:
608



2 ENLARGED DETAIL
609 1 FT. = 1 FT.



3 ENLARGED DETAIL
609 1 FT. = 1 FT.



1A SECTION DETAIL
609 6" = 1 FT.
ARCH. REF.: A8.4/10

Submittal/Revision	Description	By	Date
1			

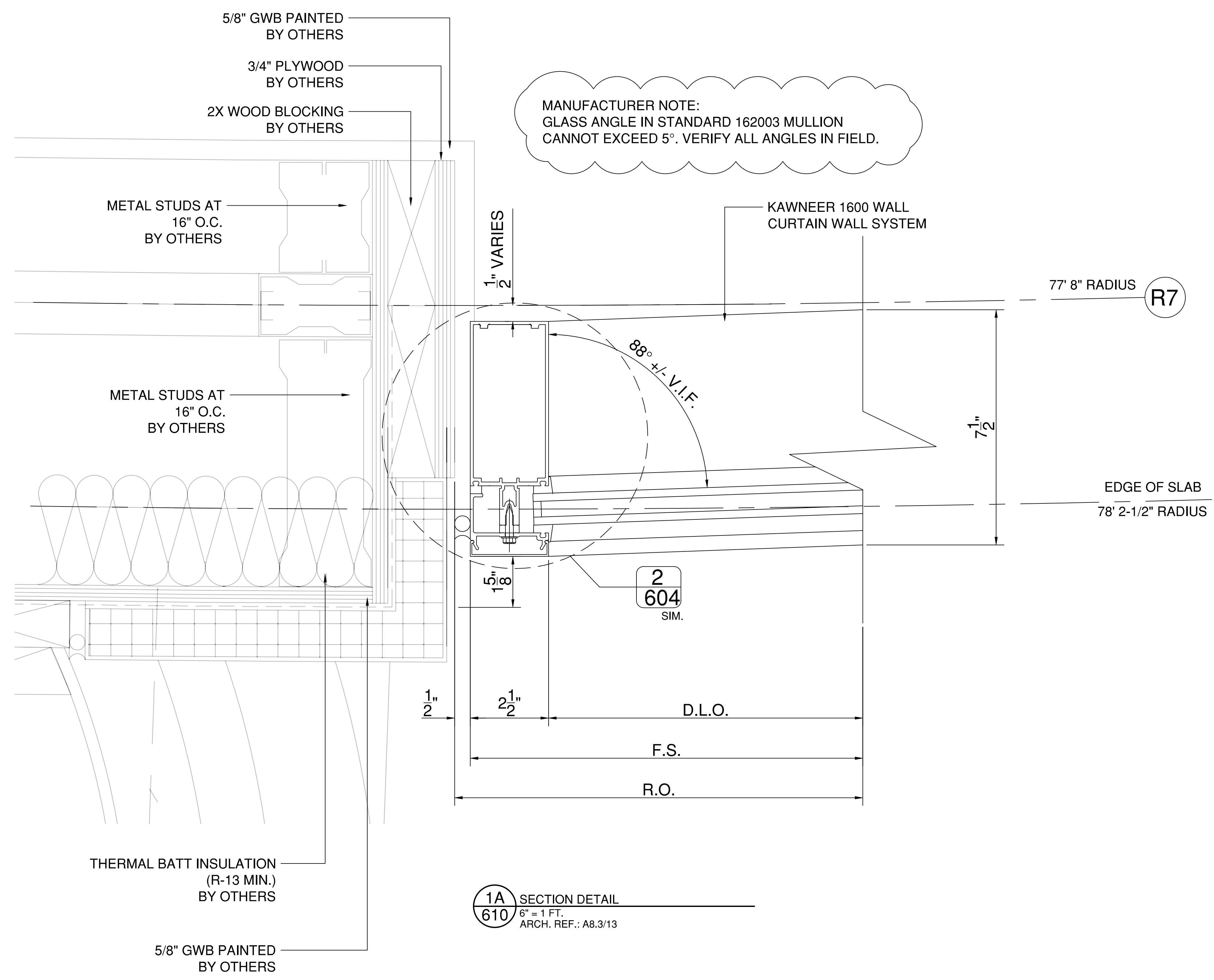
Project Name
NIDO & MARIANA QUBEIN
CHILDREN'S MUSEUM
Location
HIGH POINT, NC
Architect

Location
HIGH POINT, NC
General Contractor

Drawing Title
1600 SYS. 7-1/2"
DETAILS

Date:
9/22/2020
Drawn by:
AP
Scale:
AS NOTED

Sheet:
609



Submittal/Revision	Description	By	Date
1			

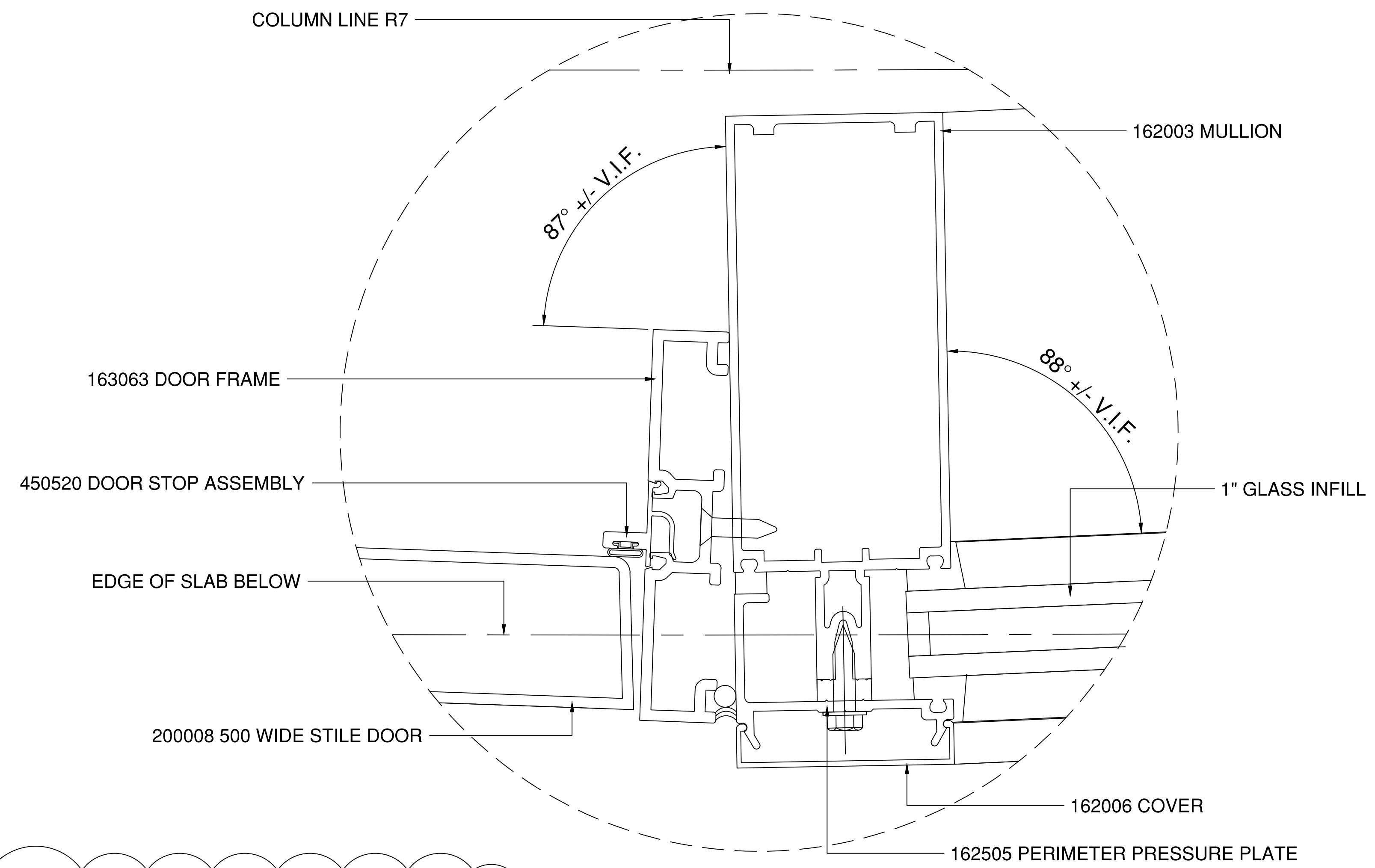
Project Name
NIDO & MARIANA QUBEIN
CHILDREN'S MUSEUM
Location
HIGH POINT, NC
Architect

Location
HIGH POINT, NC
General Contractor

Drawing Title
1600 SYS. 7-1/2"
DETAILS

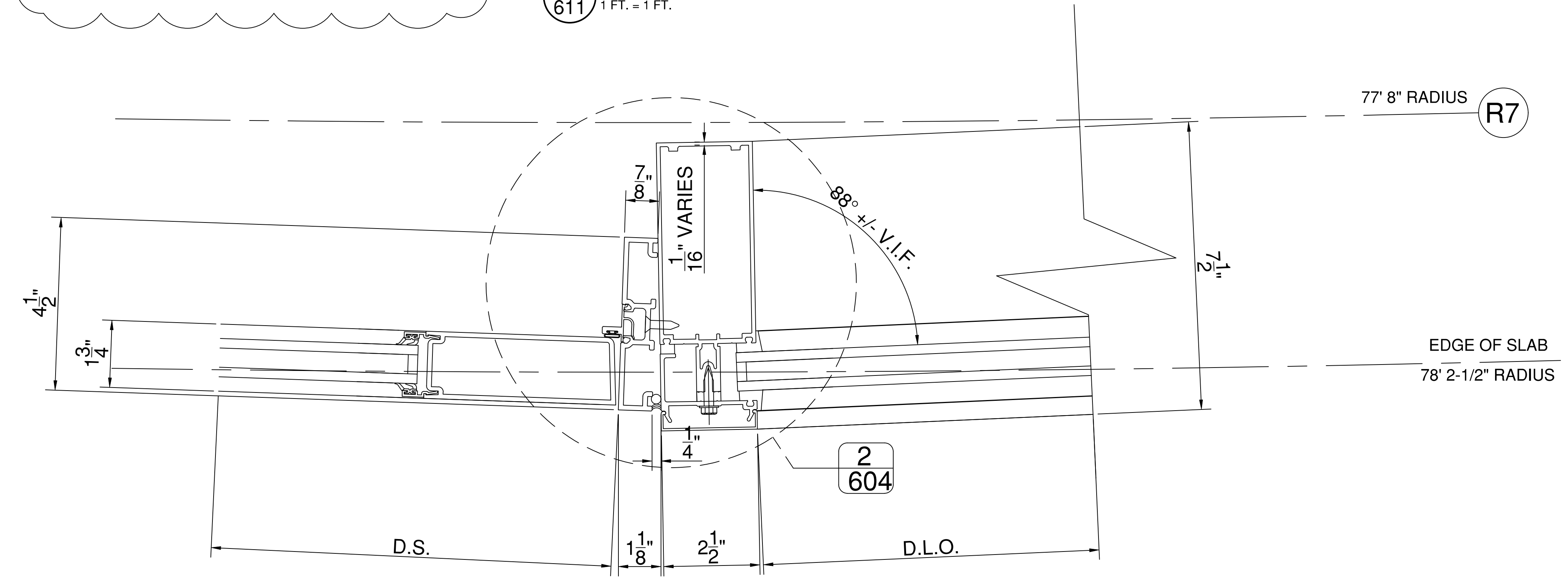
Date:
9/22/2020
Drawn by:
AP
Scale:
AS NOTED

Sheet:
610



MANUFACTURER NOTE:
GLASS ANGLE IN STANDARD 162003 MULLION
CANNOT EXCEED 5°. VERIFY ALL ANGLES IN FIELD.

2 ENLARGED DETAIL
611 1 FT. = 1 FT.



1A SECTION DETAIL
611 6\"/>

Submittal/Revision	Description	By	Date	Sub. No.	Rev. No.
1					

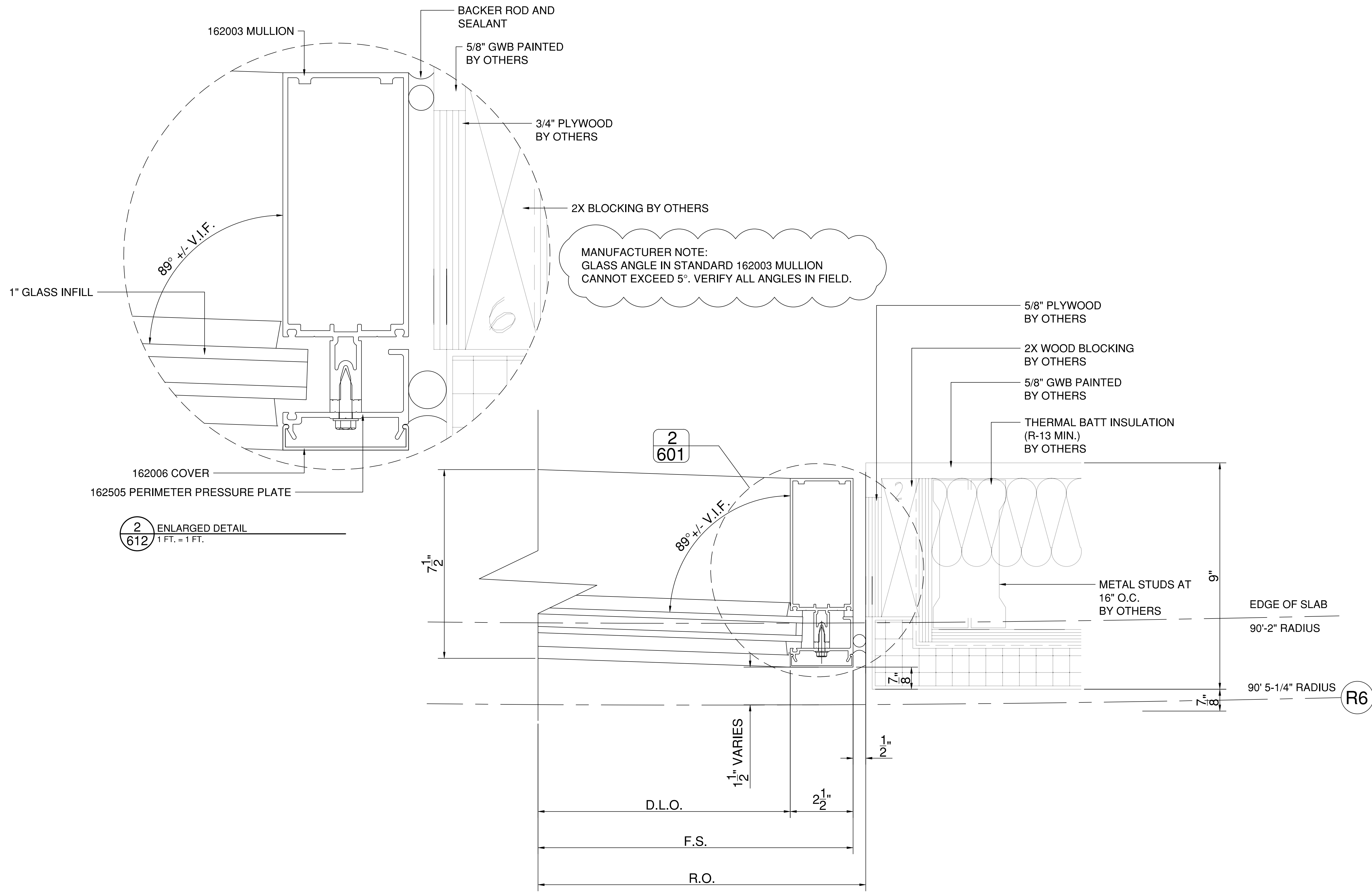
Project Name
NIDO & MARIANA QUBEIN
CHILDREN'S MUSEUM
Location
HIGH POINT, NC
Architect

Location
HIGH POINT, NC
General Contractor

Location
Drawing Title
1600 SYS. 7-1/2"
DETAILS

Date:
9/22/2020
Drawn by:
AP
Scale:
AS NOTED

Sheet:
611



MANUFACTURER NOTE:
GLASS ANGLE IN STANDARD 162003 MULLION
CANNOT EXCEED 5°. VERIFY ALL ANGLES IN FIELD.

2 ENLARGED DETAIL
612 1 FT. = 1 FT.

1A PLAN DETAIL
612 6" = 1 FT.
ARCH. REF.: A8.3/11

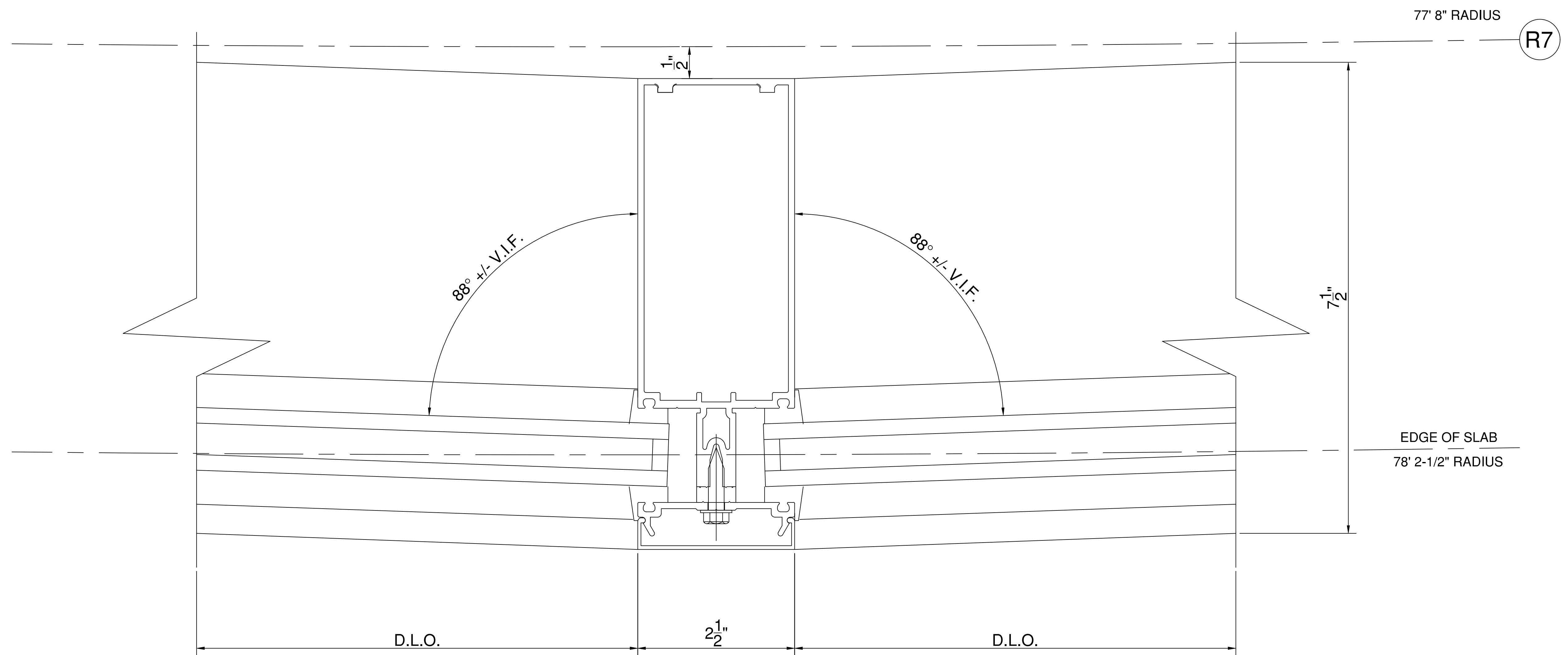
Submittal/Revision	Description	By	Date
1			

Project Name
NIDO & MARIANA QUBEIN
CHILDREN'S MUSEUM
Location
HIGH POINT, NC
Architect

Location
HIGH POINT, NC
General Contractor

Drawing Title
1600 SYS. 7-1/2"
DETAILS

Date:
9/22/2020
Sheet:
612
Drawn by:
AP
Scale:
AS NOTED



1A SECTION DETAIL
 613 1 FT. = 1 FT.
 ARCH. REF.: NA

Sub. No.	Rev. No.	Date	By	Submittal/Revision Description
1				

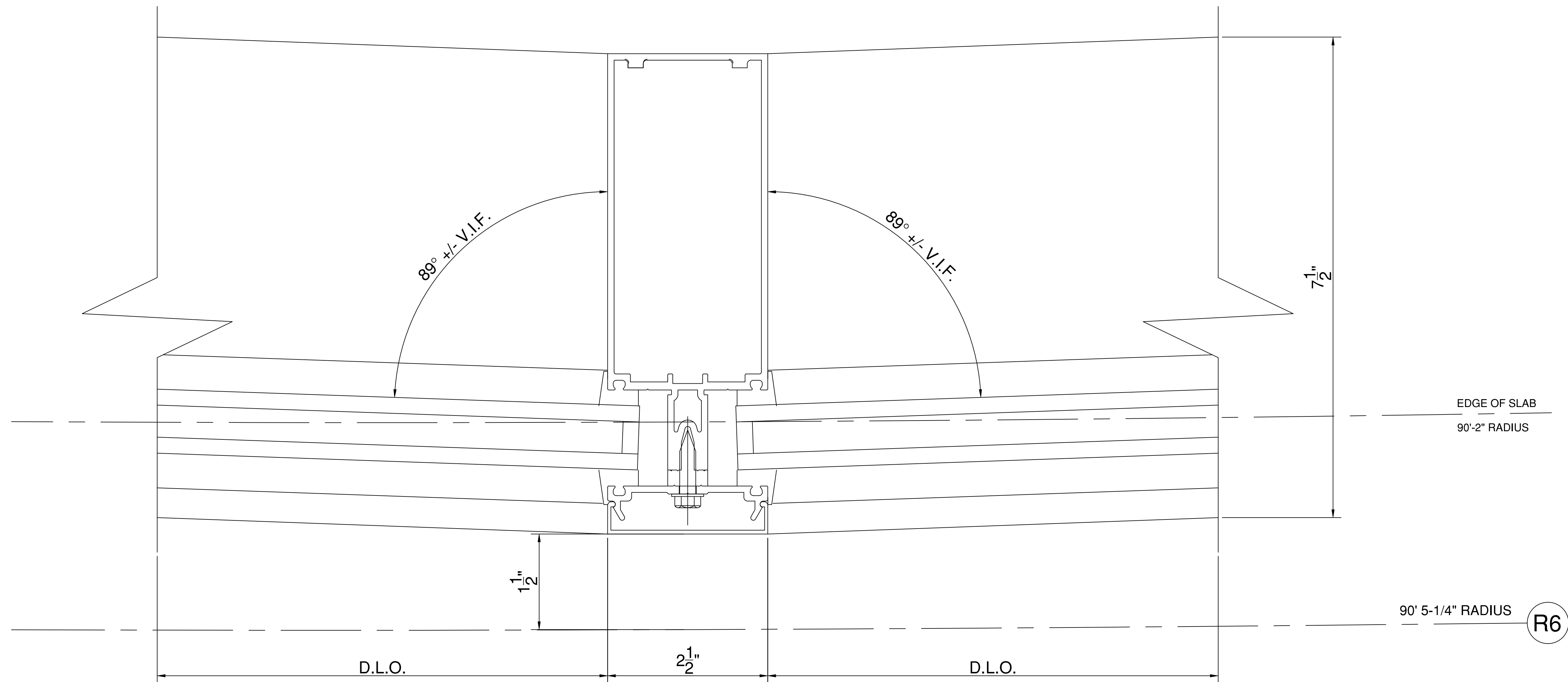
Project Name
 NIDO & MARIANA QUBEIN
 CHILDREN'S MUSEUM
 Location
 HIGH POINT, NC
 Architect

Location
 HIGH POINT, NC
 General Contractor

Location
 Drawing Title
 1600 SYS. 7-1/2"
 DETAILS

Date:
 9/22/2020
 Drawn by:
 AP
 Scale:
 AS NOTED

Sheet:
613



1A SECTION DETAIL
 614 1 FT. = 1 FT.
 ARCH. REF.: NA

Submittal/Revision	Description	By	Date	Sub. No.	Rev. No.
1					

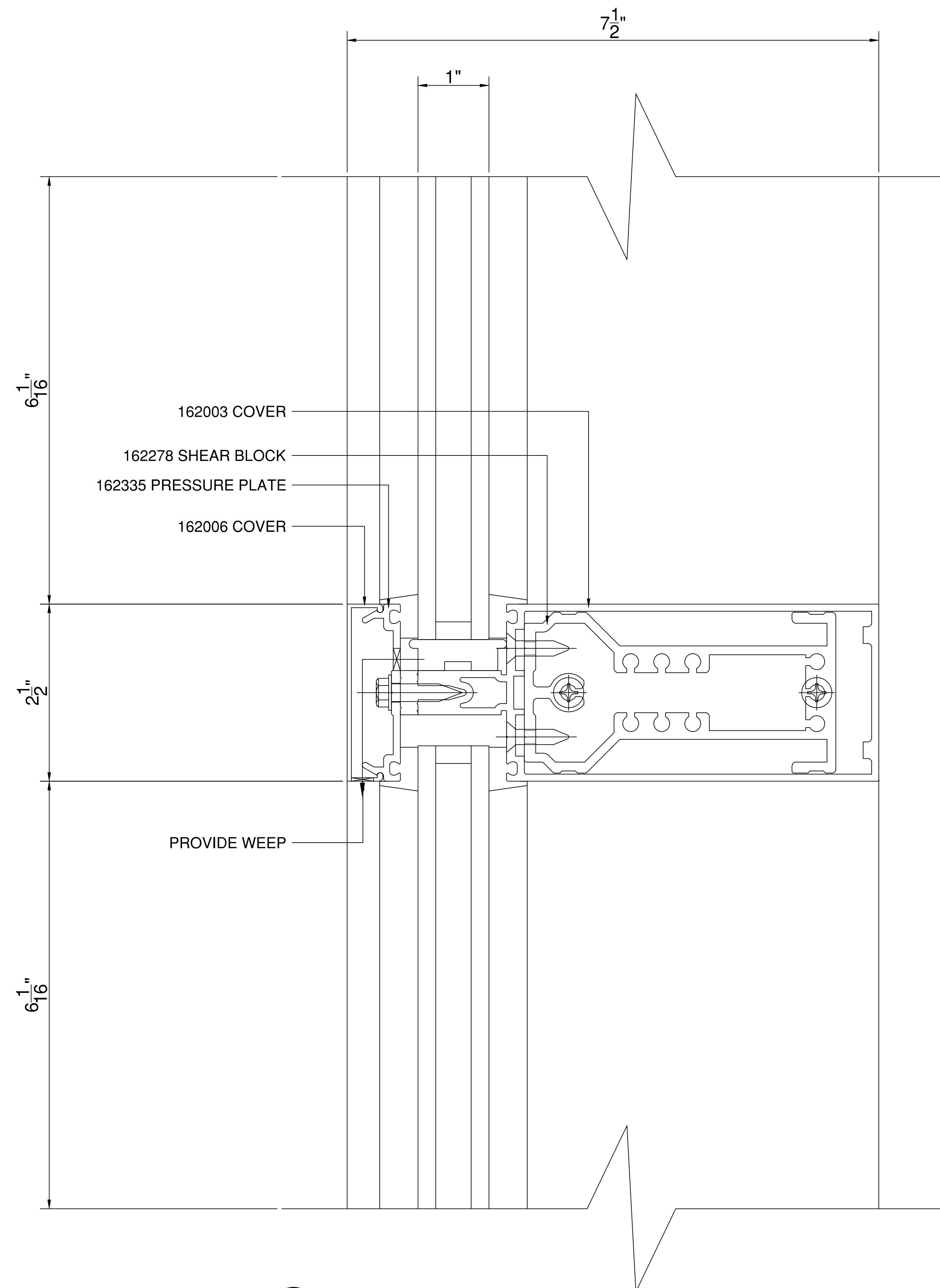
Project Name
 NIDO & MARIANA QUBEIN
 CHILDREN'S MUSEUM
 Location
 HIGH POINT, NC
 Architect

Location
 HIGH POINT, NC
 General Contractor

Location
 Drawing Title
 1600 SYS. 7-1/2"
 DETAILS

Date:
 9/22/2020
 Drawn by:
 AP
 Scale:
 AS NOTED

Sheet:
614



1A SECTION DETAIL
 615 1 FT. = 1 FT.
 ARCH. REF.: NA

Submittal/Revision	Description	By	Date
1			

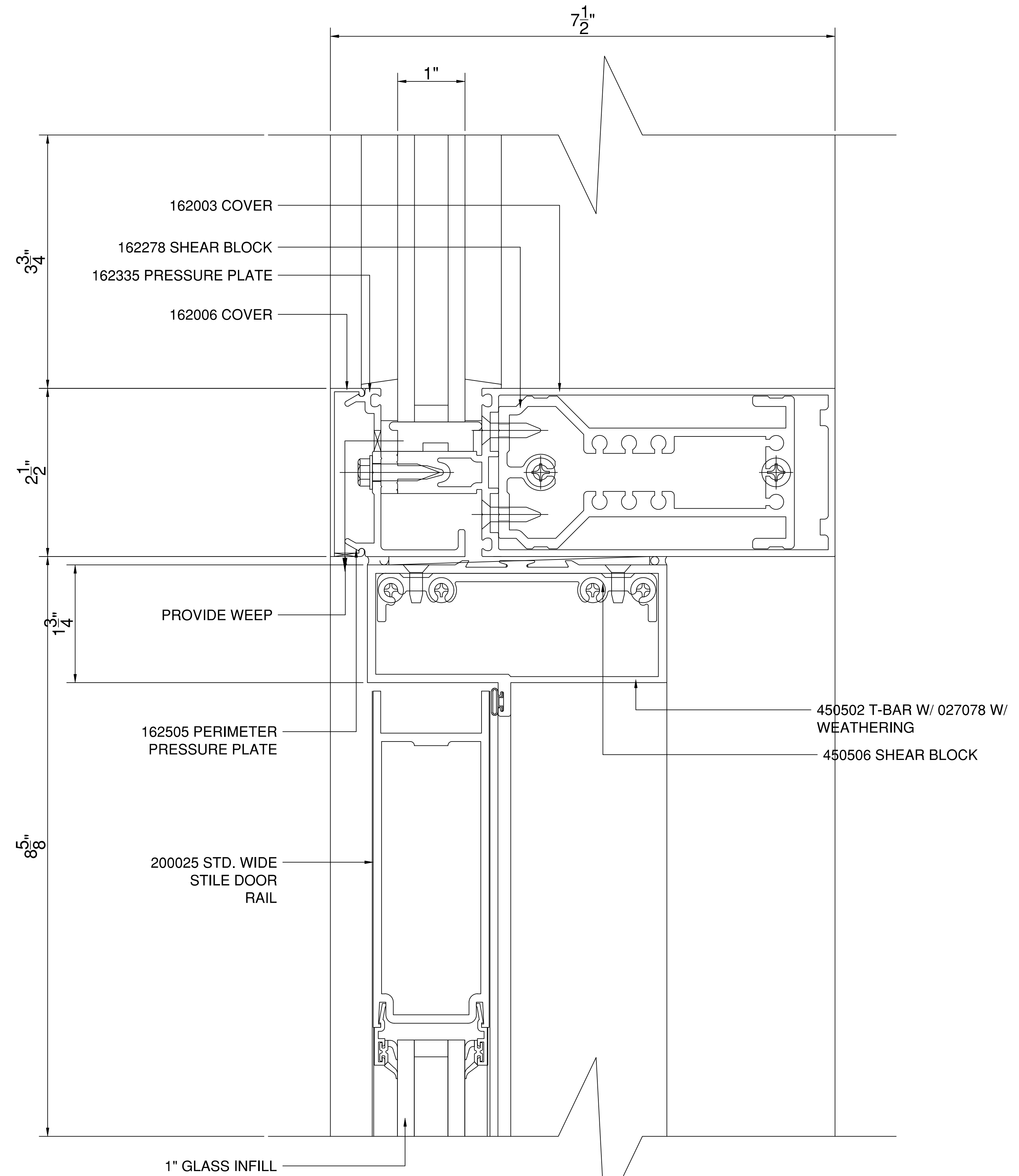
Project Name
 NIDO & MARIANA QUBEIN
 CHILDREN'S MUSEUM
 Location
 HIGH POINT, NC
 Architect

Location
 HIGH POINT, NC
 General Contractor

Location
 Drawing Title
 1600 SYS. 7-1/2"
 DETAILS

Date:
 9/22/2020
 Drawn by:
 AP
 Scale:
 AS NOTED

Sheet:
615



1A SECTION DETAIL
 616 1 FT. = 1 FT.
 ARCH. REF.: NA

Submittal/Revision	Description	By	Date
1			

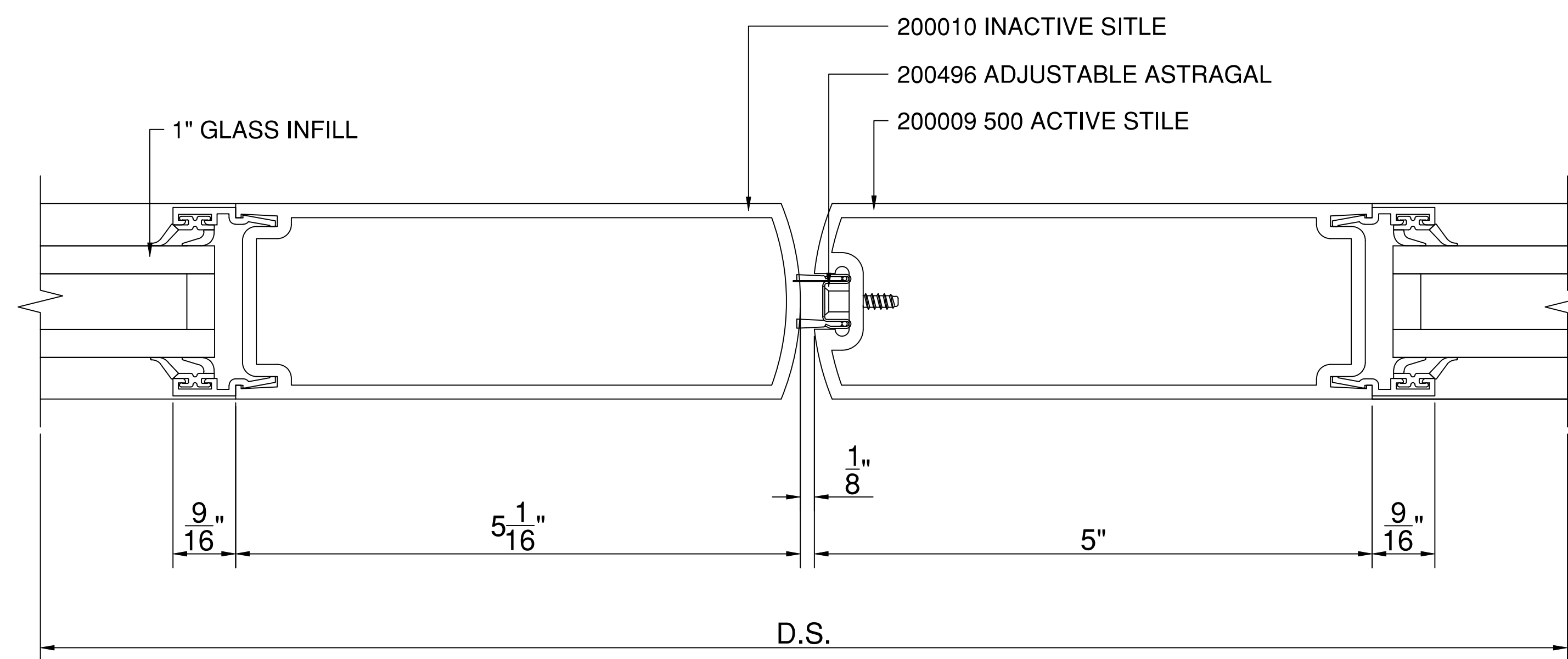
Project Name
 NIDO & MARIANA QUBEIN
 CHILDREN'S MUSEUM
 Location
 HIGH POINT, NC
 Architect

Location
 HIGH POINT, NC
 General Contractor

Location
 Drawing Title
 1600 SYS. 7-1/2"
 DETAILS

Date:
 9/22/2020
 Drawn by:
 AP
 Scale:
 AS NOTED

Sheet:
616



1A SECTION DETAIL
 617 1 FT. = 1 FT.
 ARCH. REF.: NA

Sub. No.	Rev. No.	Date	By	Submittal/Revision Description
1				

Project Name
 NIDO & MARIANA QUBEIN
 CHILDREN'S MUSEUM
 Location
 HIGH POINT, NC
 Architect

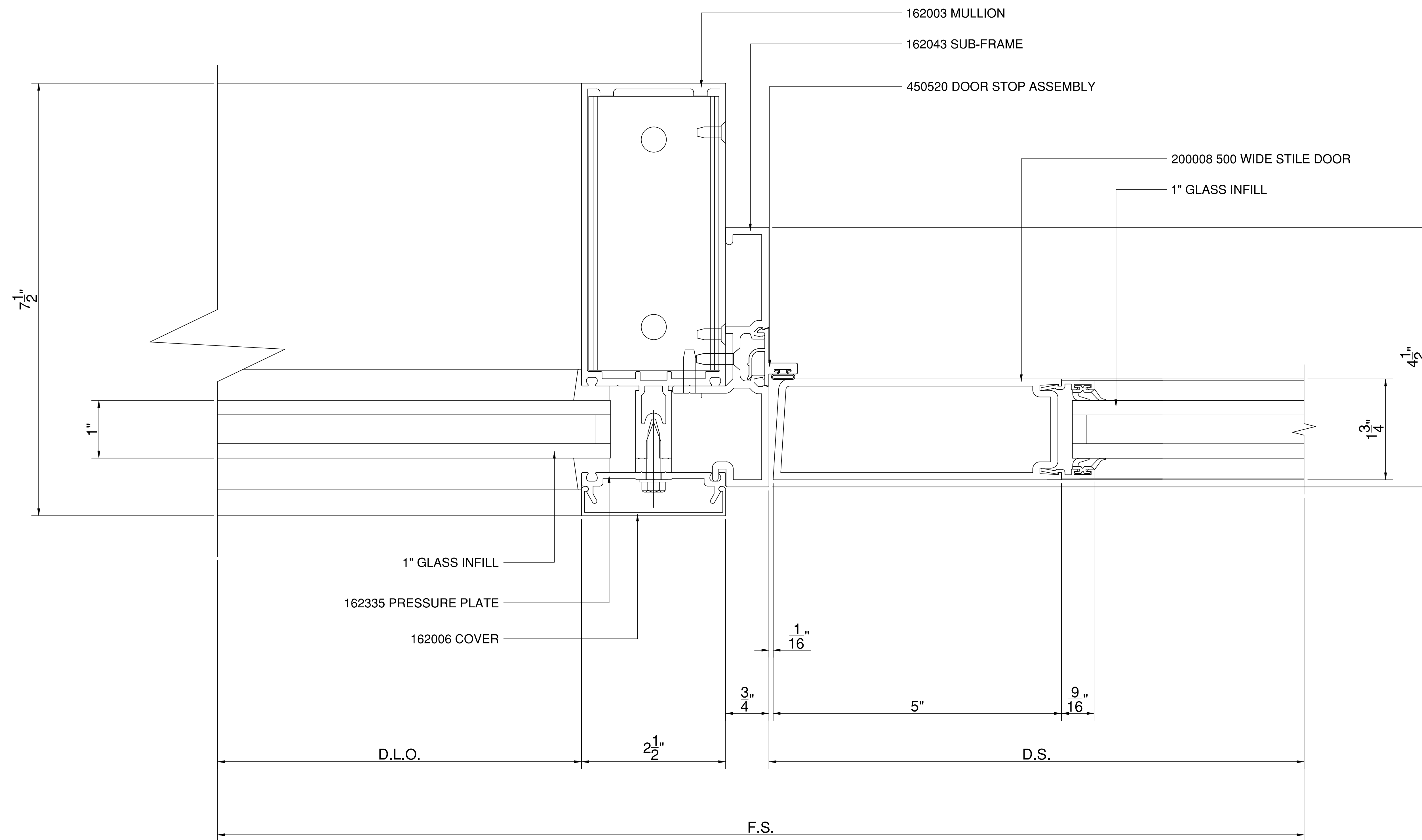
Location
 HIGH POINT, NC
 General Contractor

Location

Drawing Title
 1600 SYS. 7-1/2"
 DETAILS

Date:
 9/22/2020
 Drawn by:
 AP
 Scale:
 AS NOTED

Sheet:
617



1A SECTION DETAIL
 618 1 FT. = 1 FT.
 ARCH. REF.: NA

Submittal/Revision	Description	By	Date
1			

Project Name
 NIDO & MARIANA QUBEIN
 CHILDREN'S MUSEUM
 Location
 HIGH POINT, NC
 Architect

Location
 HIGH POINT, NC
 General Contractor

Location
 Drawing Title
 1600 SYS. 7-1/2"
 DETAILS

Date:
 9/22/2020
 Drawn by:
 AP
 Scale:
 AS NOTED

Sheet:
618