

LAKE KEOWEE FORD

10815 CLEMSON BLVD, OCONEE COUNTY
SENECA, SOUTH CAROLINA

GLASS AND GLAZING SHOP DRAWINGS

SHEET INDEX

SHEET	DESCRIPTION
101	COVER
201	PARTIAL ELEVATIONS
202	PARTIAL ELEVATIONS
301	PARTIAL FLOOR PLANS
302	PARTIAL FLOOR PLANS
401	CW-1 ELEVATION
402	CW-1 ELEVATION
403	CW-2A / CW-2B ELEVATIONS
501	CW-4 ELEVATIONS
502	CW-1 ELEVATIONS
601	SW-1 ELEVATION
602	SW-4 ELEVATION
603	SW-6 ELEVATION
604	SW-7 ELEVATION
701	CW DETAILS
702	CW DETAILS
703	CW DETAILS
704	CW DETAILS
705	CW DETAILS
706	CW DETAILS
707	CW DETAILS
708	CW DETAILS
709	CW DETAILS
710	CW DETAILS
711	CW DETAILS
712	CW DETAILS
713	CW DETAILS
801	SF DETAILS
802	SF DETAILS
803	SF DETAILS
804	SF DETAILS
805	SF DETAILS
806	SF DETAILS
807	BI-FOLD DETAILS
808	BI-FOLD DETAILS
809	BI-FOLD DETAILS
901	INT. SF DETAILS
902	INT. SF DETAILS
903	INT. SF DETAILS
904	INT. SF DETAILS

LAKE KEOWEE FORD

10815 CLEMSON BLVD.
SENECA, SC 29678



WWW.CLEARDRAFTINGSOLUTIONS.COM

GLAZING CONTRACTOR

ARCHITECTS

THIS DRAWING AND THE INFORMATION ON THIS PAGE ARE PROPERTY OF CLEAR DRAFTING SOLUTIONS AND ITS CLIENT. REPRODUCTION AND DISTRIBUTION OF THIS INFORMATION IS PROHIBITED WITHOUT WRITTEN CONSENT

ISSUE/REVISION

07.08.20 - ISSUED

PROJECT NAME

LAKE KEOWEE FORD

FILE NAME

lake_keowee_ford.dwg

SCALE

NOT TO SCALE

DRAWN BY

AP

CHECKED BY

SHEET DESCRIPTION

COVER

SHEET

101

DOOR SCHEDULE

DOOR #	SIZE	GLAZING	STILE	SWING	FRAME	HW SET
101A	6'0" X 8'0"	GL01	MEDIUM STILE	OUT	CW-1	HW-1
101B	9'0" X 8'0"	GL01	MEDIUM STILE	OUT	SW-7	HW-1
101C	6'0" X 8'0"	GL01	MEDIUM STILE	OUT	SW-6	HW-1
106A	3'0" X 8'0"	GL01	MEDIUM STILE	OUT	SW-4	HW-1
106B	3'0" X 8'0"	GL01	MEDIUM STILE	OUT	SW-4	HW-1
113A	6'0" X 8'0"	GL01	MEDIUM STILE	OUT	SW-6	HW-1

GLAZING SCHEDULE

SYMBOL	GLASS INFORMATION
(GL01)	1/4" CLEAR GLASS, TEMPERED WHERE REQUIRED BY CODE
(GL02)	1" INSULATED GLASS, SNX 62/27 LOW-E ON #2 SURFACE OVER CLEAR
(GL03)	1" INSULATED GLASS, SNX 62/27 LOW-E ON #2 SURFACE. SPANDREL FRIT ON #4 SURFACE *COLOR TO BE DETERMINED*

MATERIAL SPECS

INTERIOR STOREFRONT SYSTEM MATERIAL: OLDCASTLE FG-2000 (1-3/4" X 4-1/2") FINISH: BLACK ANODIZED FRAMES: SEE ELEVATIONS
EXTERIOR STOREFRONT SYSTEM MATERIAL: OLDCASTLE SERIES 3000 (2" X 4-1/2") FINISH: BLACK ANODIZED FRAMES: SEE ELEVATIONS
EXTERIOR CURTAIN WALL SYSTEM MATERIAL: OLDCASTLE RELIANCE (2-1/2" X 10") FINISH: BLACK ANODIZED FRAMES: SEE ELEVATIONS
BI-FOLDING DOOR MATERIAL: US ALUM. SERIES 400 ENT. FINISH: BLACK FRAMES: SEE ELEVATIONS
SILICON SEALANT MATERIAL: TBD FINISH: BLACK FRAMES: SEE ELEVATIONS
NOT USED

ABBREVIATIONS

A - ANNEALED
AFF - ABOVE FINISH FLOOR
BOH - BOTTOM OF HORIZONTAL
DIM - DIMENSION
DLO - DAY LIGHT OPENING
DO - DOOR OPENING
DS - DOOR SIZE
FF - FINISHED FLOOR
FS - FRAME SIZE
GC - GENERAL CONTRACTOR
GS - GLASS SIZE
HW - HARDWARE
ML - MULLION LENGTH
NTS - NOT TO SCALE
REF - REFERENCE
RO - ROUGH OPENING
T - TEMPERED
TOH - TOP OF HORIZONTAL

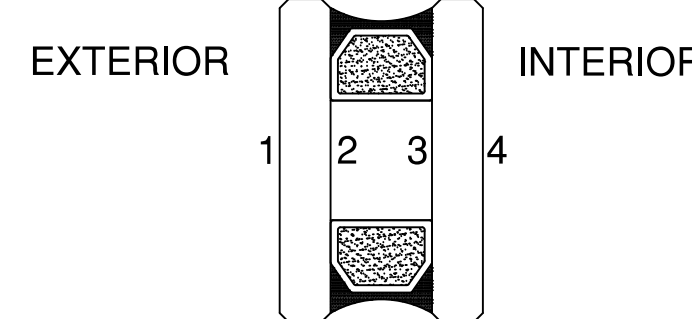
HARDWARE SCHEDULE

SET NUMBER	HARDWARE INFORMATION
HW-1	DOORS TO HAVE MANUFACTURER BUTT HINGES, MANUFACTURER STANDARD PUSH / PULL, MS CYLINDER LOCKSET WITH THUMBTURN ON INTERIOR SIDE, DOOR SWEEPS, SURFACE MOUNTED CLOSER, SADDLE THRESHOLD.
HW-2	NOT USED
HW-3	NOT USED
	NOT USED

DESIGN CRITERIA

NONE PROVIDED AT TIME OF DRAWINGS

INSULATED GLASS SURFACE ILLUSTRATION



* ALL UNITS TEMPERED WHERE REQUIRED BY CODE

GENERAL NOTES

- CLEAR DRAFTING SOLUTIONS LLC. ASSUMES NO RESPONSIBILITY FOR ERRORS RESULTING IN THE UNAUTHORIZED USE OF THESE DRAWINGS.
- BLOCKING AND SUPPORT REQUIRED FOR INSTALLATION WILL BE SPECIFIED AND INSTALLED BY OTHERS.
- ALL DIMENSIONS ARE TO BE FIELD VERIFIED AND/OR APPROVED BY GENERAL CONTRACTOR PRIOR TO MATERIALS BEING ORDERED AND FABRICATED.
- ROUGH OPENINGS PROVIDED MUST BE SQUARE/PLUMB AND WITHIN BUILDING TOLERANCES
- ALL STRUCTURAL AND FASTENER INFORMATION CONVEYED BY THESE DRAWINGS ARE FOR REFERENCE ONLY. IT IS THE RESPONSIBILITY OF THE CUSTOMER TO COMPLY WITH MANUFACTURER REQUIREMENTS.
- IT IS THE RESPONSIBILITY OF THE ARCHITECT AND GENERAL CONTRACTOR TO ENSURE THE PRODUCTS SELECTED BY THEM MEET ALL CODE REQUIREMENTS FOR THIS PROJECT.
- ALL FRAMING SYSTEMS AND PRODUCTS IN THIS DOCUMENT ARE TO BE INSTALLED PER THE MANUFACTURER.
- IT IS THE RESPONSIBILITY OF THE CONTRACTOR AND ARCHITECT TO ENSURE THAT THE STRUCTURE PROVIDED CAN SUPPORT AND WITHSTAND THE LOADS IMPOSED BY THE SYSTEM DETAILED IN THESE DRAWINGS.
- IT IS IMPORTANT THAT ALL PRODUCTS INSTALLED BE PROTECTED FROM DAMAGE AFTER INSTALLATION. THE GLAZING CONTRACTOR TAKES NO RESPONSIBILITY FOR MATERIAL DAMAGE BY OTHER TRADES ONCE INSTALLED. IT IS THE GC'S RESPONSIBILITY TO PROTECT AND MONITOR THE MATERIAL AFTER INSTALL.

LAKE KEOWEE FORD

10815 CLEMSON BLVD.
SENECA, SC 29678



WWW.CLEARDRAFTINGSOLUTIONS.COM

GLAZING CONTRACTOR

ARCHITECT

THIS DRAWING AND THE INFORMATION ON THIS PAGE ARE PROPERTY OF CLEAR DRAFTING SOLUTIONS AND ITS CLIENT. REPRODUCTION AND DISTRIBUTION OF THIS INFORMATION IS PROHIBITED WITHOUT WRITTEN CONSENT

ISSUE/REVISION

PROJECT NAME

LAKE KEOWEE FORD

FILE NAME

lake_keowee_ford.dwg

SCALE

DRAWN BY

AP

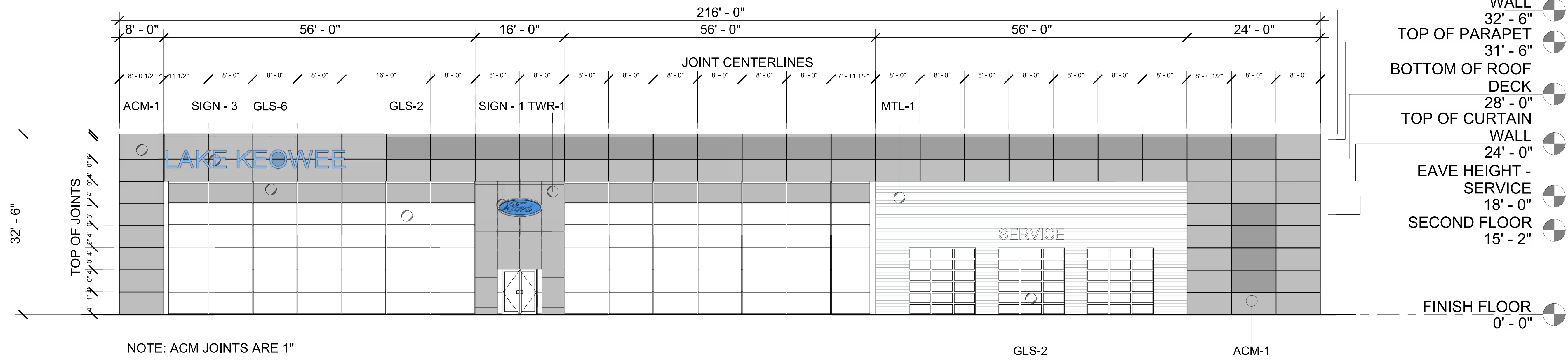
CHECKED BY

SHEET DESCRIPTION

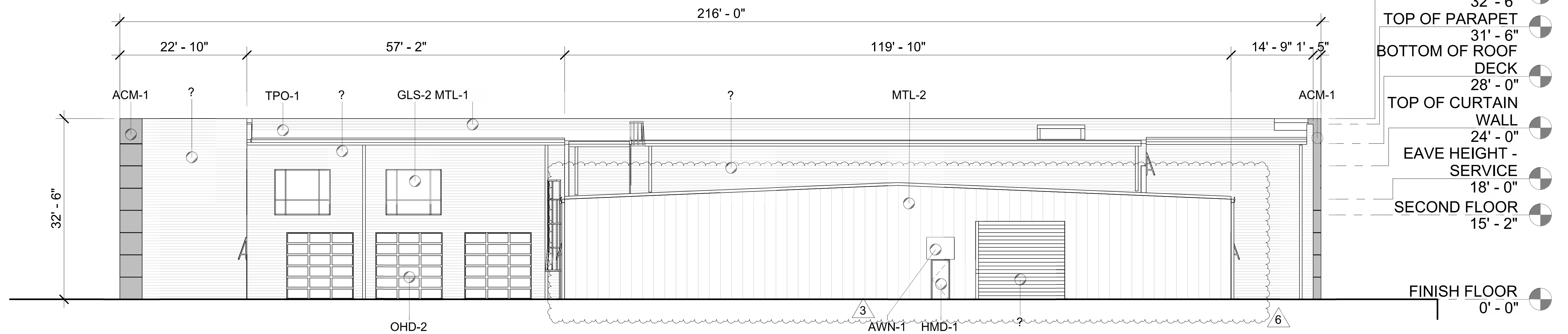
ARCH. ELEVATION

SHEET

201



1 PARTIAL EXT. ELEVATION
201 N.T.S.
ARCH. REF.: A201/1



1 PARTIAL EXT. ELEVATION
201 N.T.S.
ARCH. REF.: A201/2

**LAKE KEOWEE
FORD**

10815 CLEMSON BLVD.
SENECA, SC 29678



WWW.CLEARDRAFTINGSOLUTIONS.COM

GLAZING CONTRACTOR

ARCHITECT

THIS DRAWING AND THE INFORMATION ON THIS PAGE ARE PROPERTY OF CLEAR DRAFTING SOLUTIONS AND ITS CLIENT. REPRODUCTION AND DISTRIBUTION OF THIS INFORMATION IS PROHIBITED WITHOUT WRITTEN CONSENT

ISSUE/REVISION

PROJECT NAME

LAKE KEOWEE FORD

FILE NAME

lake_keowee_ford.dwg

SCALE

DRAWN BY

AP

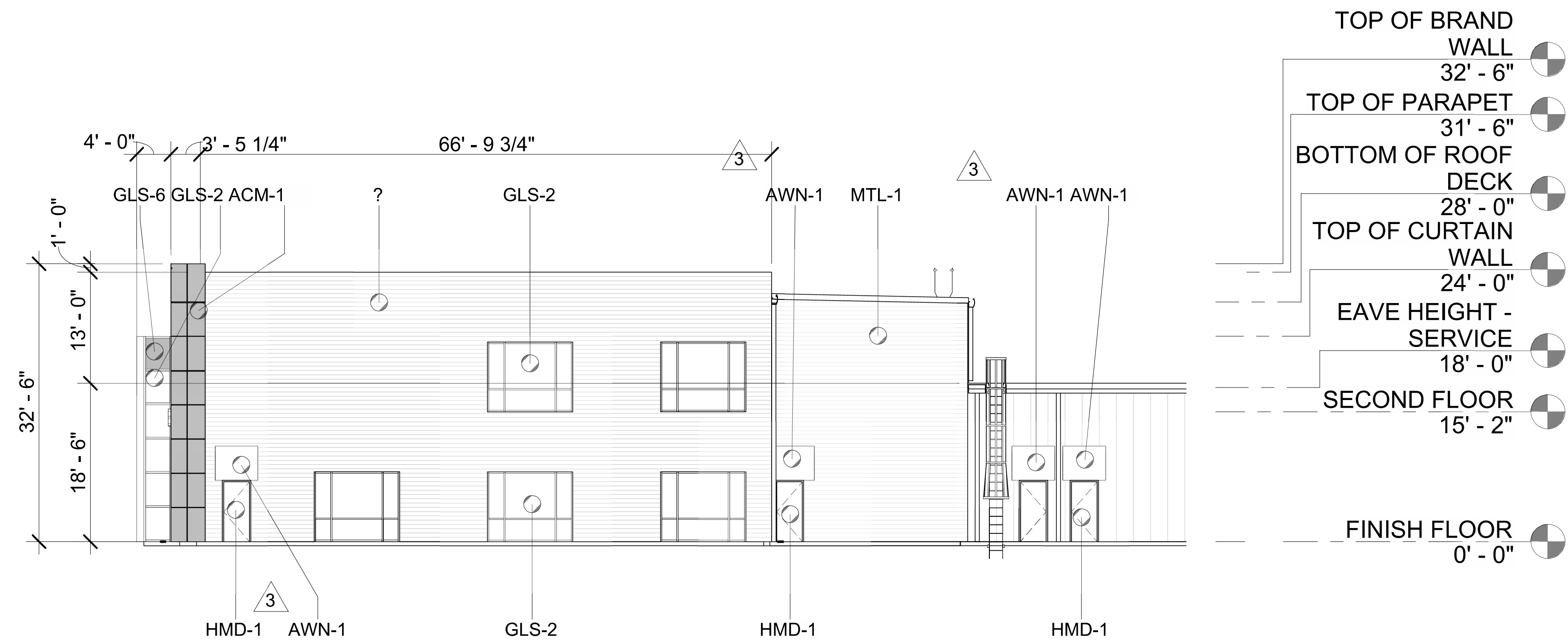
CHECKED BY

SHEET DESCRIPTION

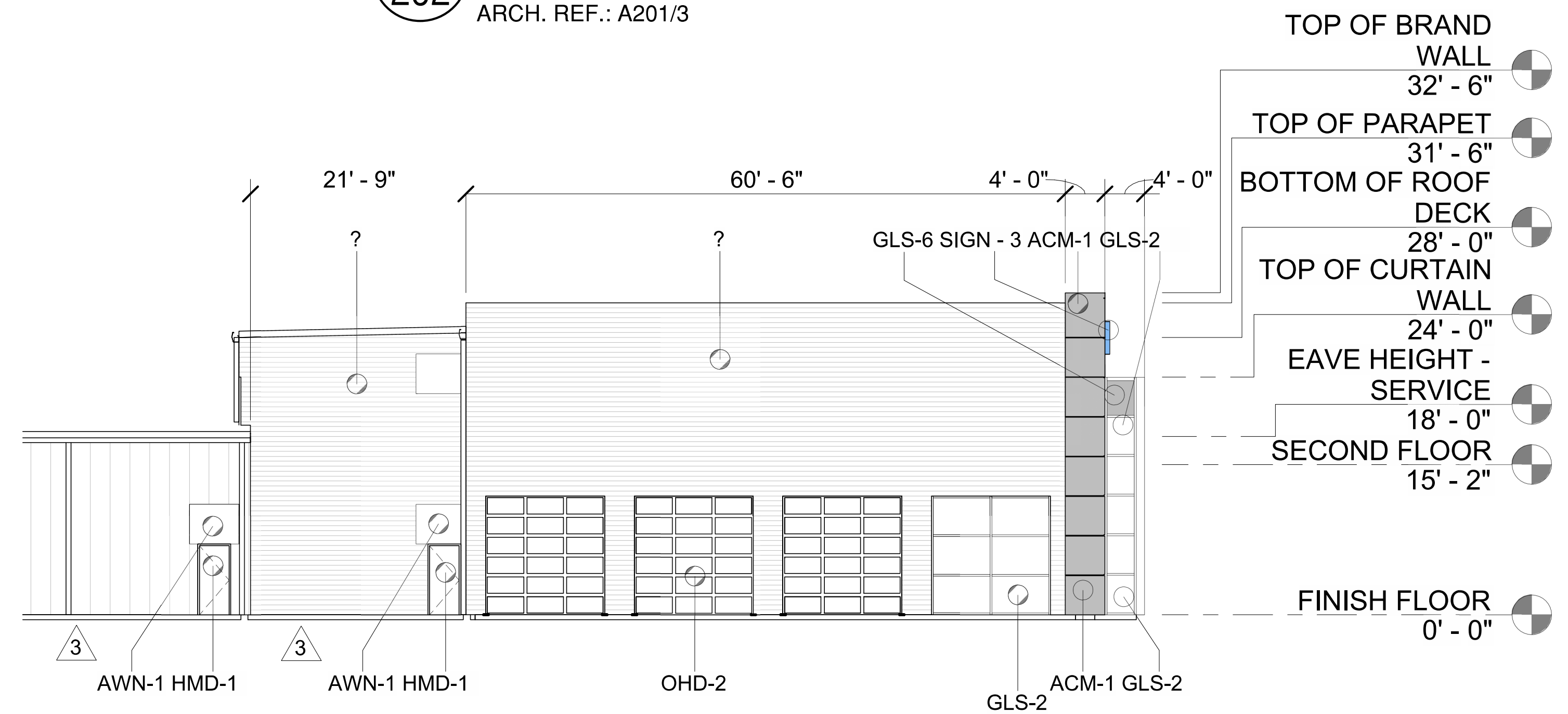
ARCH ELEVATION

SHEET

202



2 PARTIAL EXT. ELEVATION
N.T.S.
ARCH. REF.: A201/3



1 PARTIAL EXT. ELEVATION
N.T.S.
ARCH. REF.: A201/4

LAKE KEOWEE FORD

10815 CLEMSON BLVD.
SENECA, SC 29678



WWW.CLEARDRAFTINGSOLUTIONS.COM

GLAZING CONTRACTOR

ARCHITECT

THIS DRAWING AND THE INFORMATION ON THIS PAGE ARE PROPERTY OF CLEAR DRAFTING SOLUTIONS AND ITS CLIENT. REPRODUCTION AND DISTRIBUTION OF THIS INFORMATION IS PROHIBITED WITHOUT WRITTEN CONSENT

ISSUE/REVISION

PROJECT NAME

LAKE KEOWEE FORD

FILE NAME

lake_keowee_ford.dwg

SCALE

DRAWN BY

AP

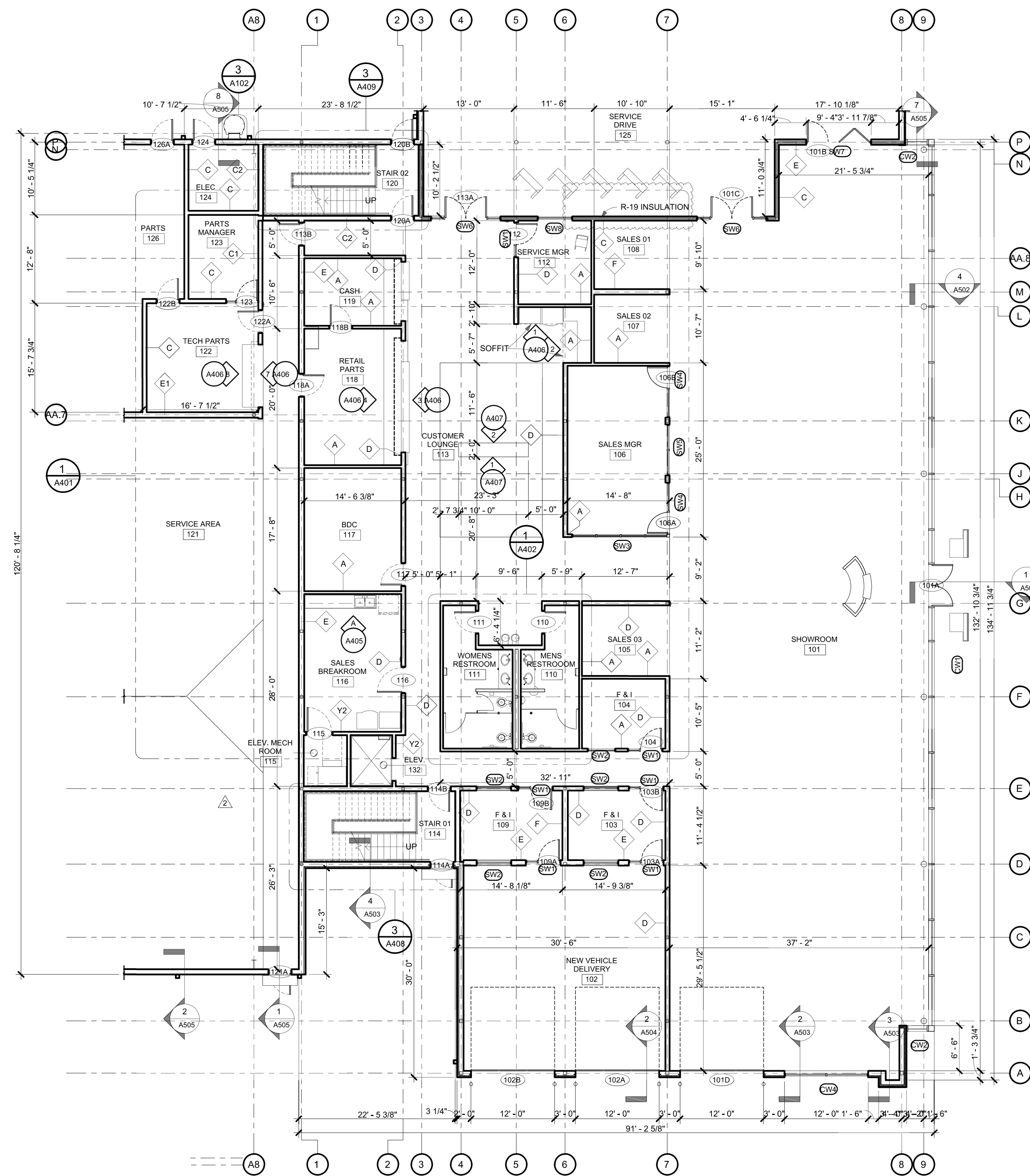
CHECKED BY

SHEET DESCRIPTION

ARCH ELEVATION

SHEET

301



1 PARTIAL FLOOR PLAN
301 N.T.S.
ARCH. REF.: A102/1

**LAKE KEOWEE
FORD**

10815 CLEMSON BLVD.
SENECA, SC 29678



WWW.CLEARDRAFTINGSOLUTIONS.COM

GLAZING CONTRACTOR

ARCHITECT

THIS DRAWING AND THE INFORMATION ON THIS PAGE ARE PROPERTY OF CLEAR DRAFTING SOLUTIONS AND ITS CLIENT. REPRODUCTION AND DISTRIBUTION OF THIS INFORMATION IS PROHIBITED WITHOUT WRITTEN CONSENT

ISSUE/REVISION

PROJECT NAME

LAKE KEOWEE FORD

FILE NAME

lake_keowee_ford.dwg

SCALE

DRAWN BY

AP

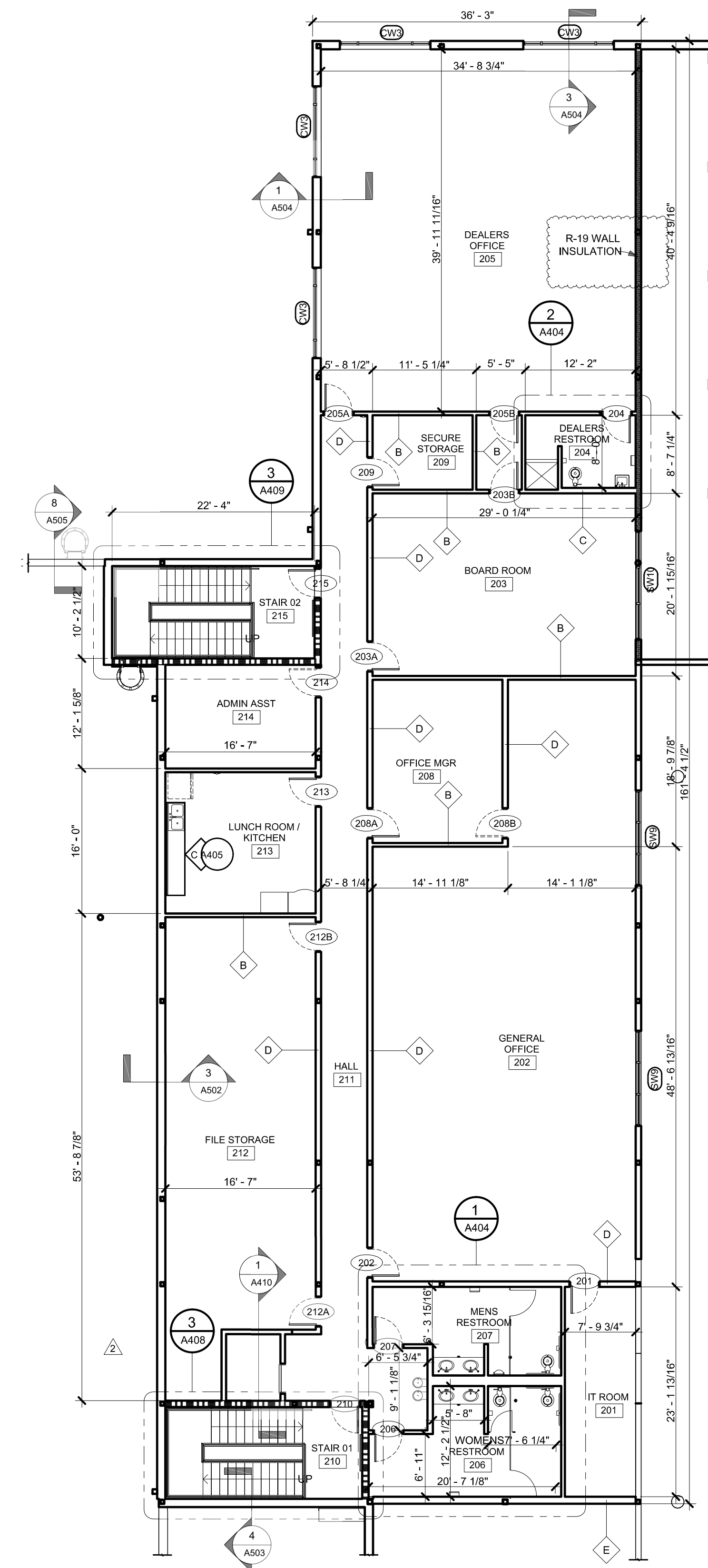
CHECKED BY

SHEET DESCRIPTION

ARCH ELEVATION

SHEET

302



1 PARTIAL FLOOR PLAN
302 N.T.S.
ARCH. REF.: A102/2

** FIELD VERIFY ALL DIMENSIONS PRIOR TO FABRICATION **

LAKE KEOWEE FORD

10815 CLEMSON BLVD.
SENECA, SC 29678



WWW.CLEARDRAFTINGSOLUTIONS.COM

GLAZING CONTRACTOR

ARCHITECT

THIS DRAWING AND THE INFORMATION ON THIS PAGE ARE PROPERTY OF CLEAR DRAFTING SOLUTIONS AND ITS CLIENT. REPRODUCTION AND DISTRIBUTION OF THIS INFORMATION IS PROHIBITED WITHOUT WRITTEN CONSENT

ISSUE/REVISION

PROJECT NAME

LAKE KEOWEE FORD

FILE NAME

lake_keowee_ford.dwg

SCALE

DRAWN BY

AP

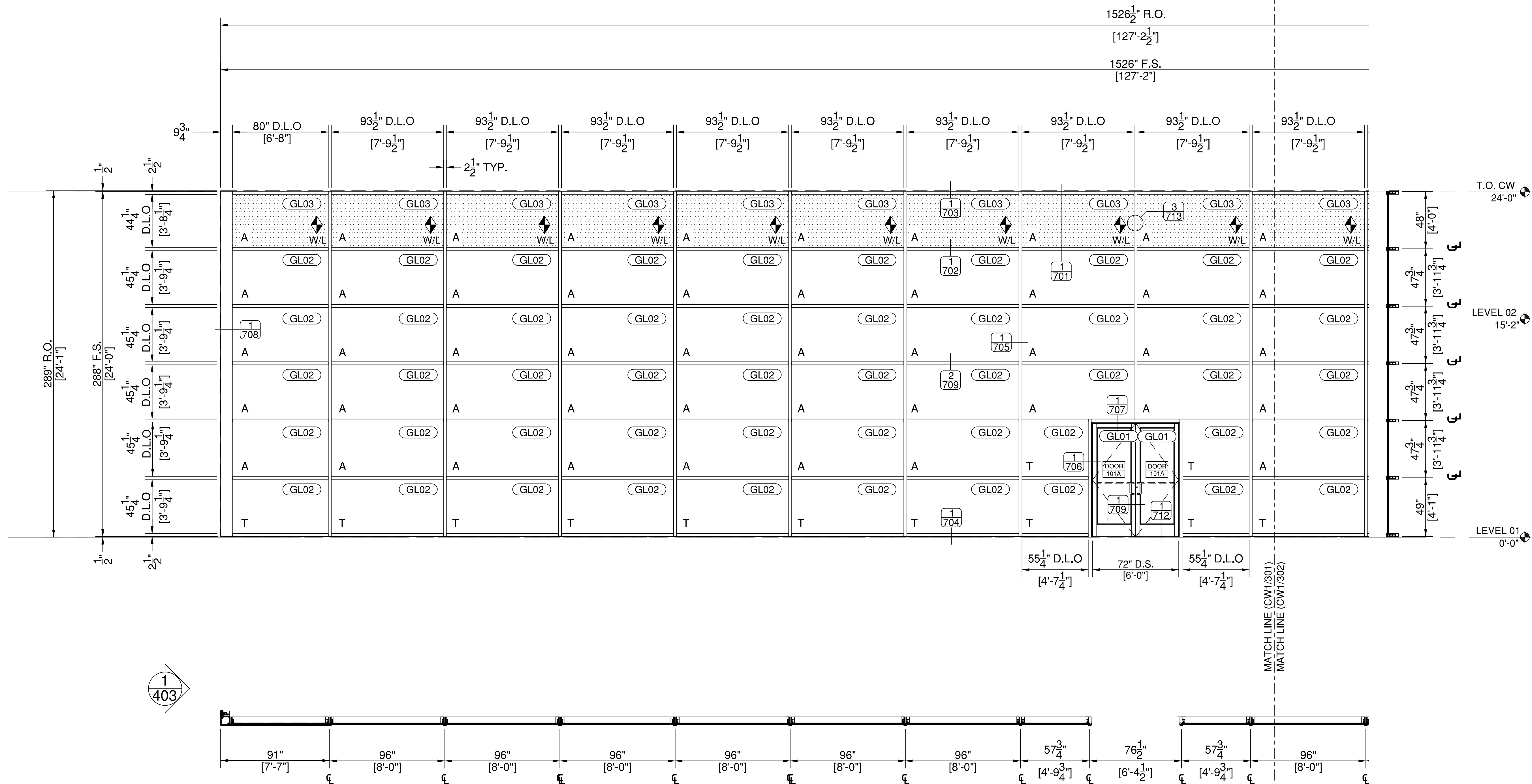
CHECKED BY

SHEET DESCRIPTION

ELEVATION

SHEET

401



GLASS LEGEND	
GL01	1/4" CLEAR GLASS
GL02	1" INSULATED GLASS
GL03	1" INSULATED SPANDREL

1 ELEVATION - "CW-1"
401 SCALE: 1/4" = 1 FT.
 QTY: 1
 ARCH. REF.: A601
 SYSTEM: OLDCASTLE RELIANCE: 2-1/2" X 10" CURTAIN WALL
 FINISH: BLACK ANODIZED

** FIELD VERIFY ALL DIMENSIONS PRIOR TO FABRICATION **

** FIELD VERIFY ALL DIMENSIONS PRIOR TO FABRICATION **

LAKE KEOWEE FORD

10815 CLEMSON BLVD.
SENECA, SC 29678



WWW.CLEARDRAFTINGSOLUTIONS.COM

GLAZING CONTRACTOR

ARCHITECT

THIS DRAWING AND THE INFORMATION ON THIS PAGE ARE PROPERTY OF CLEAR DRAFTING SOLUTIONS AND ITS CLIENT. REPRODUCTION AND DISTRIBUTION OF THIS INFORMATION IS PROHIBITED WITHOUT WRITTEN CONSENT

ISSUE/REVISION

PROJECT NAME

LAKE KEOWEE FORD

FILE NAME

lake_keowee_ford.dwg

SCALE

1/4" = 1 FT.

DRAWN BY

AP

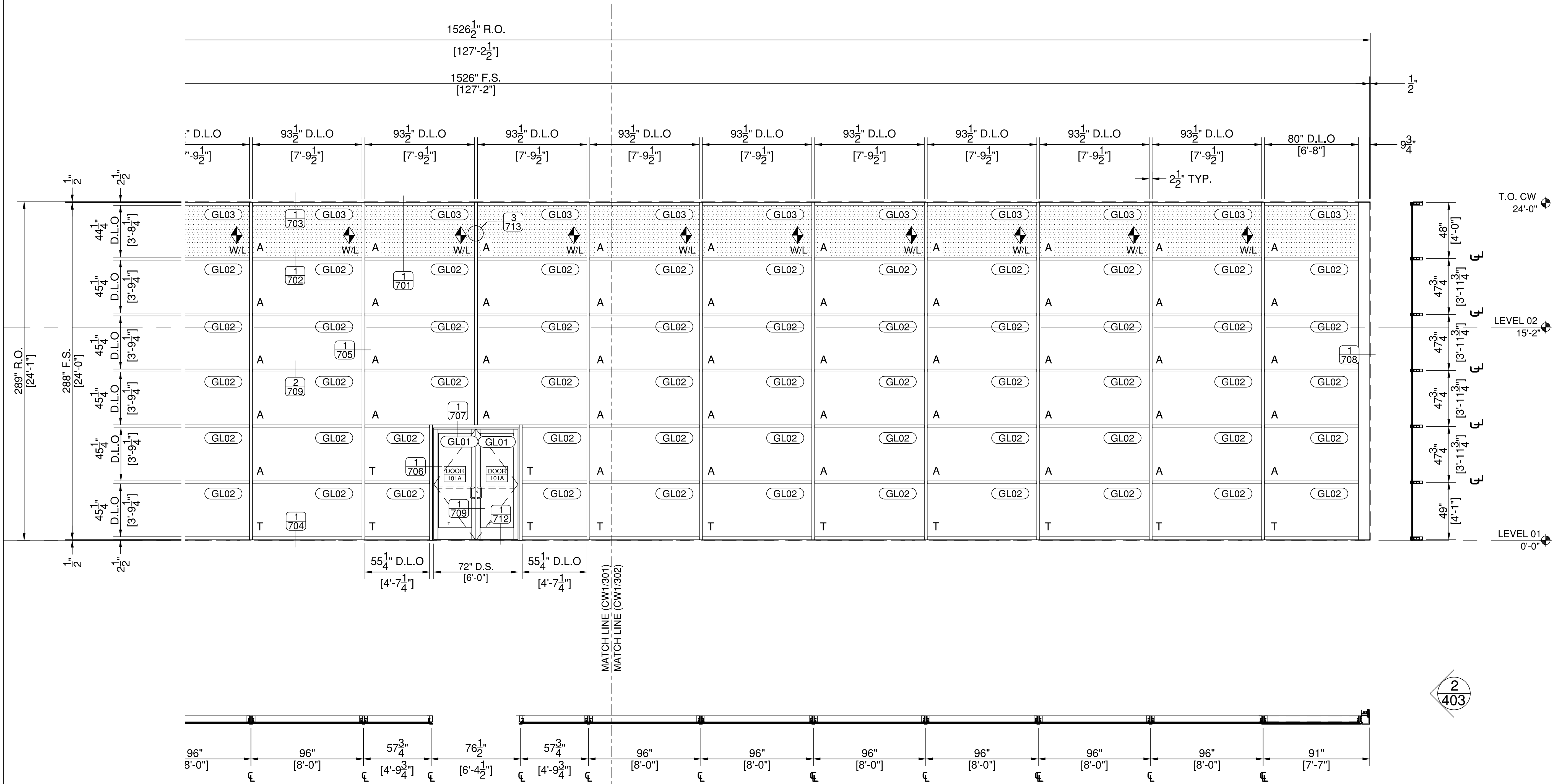
CHECKED BY

SHEET DESCRIPTION

ELEVATION

SHEET

402

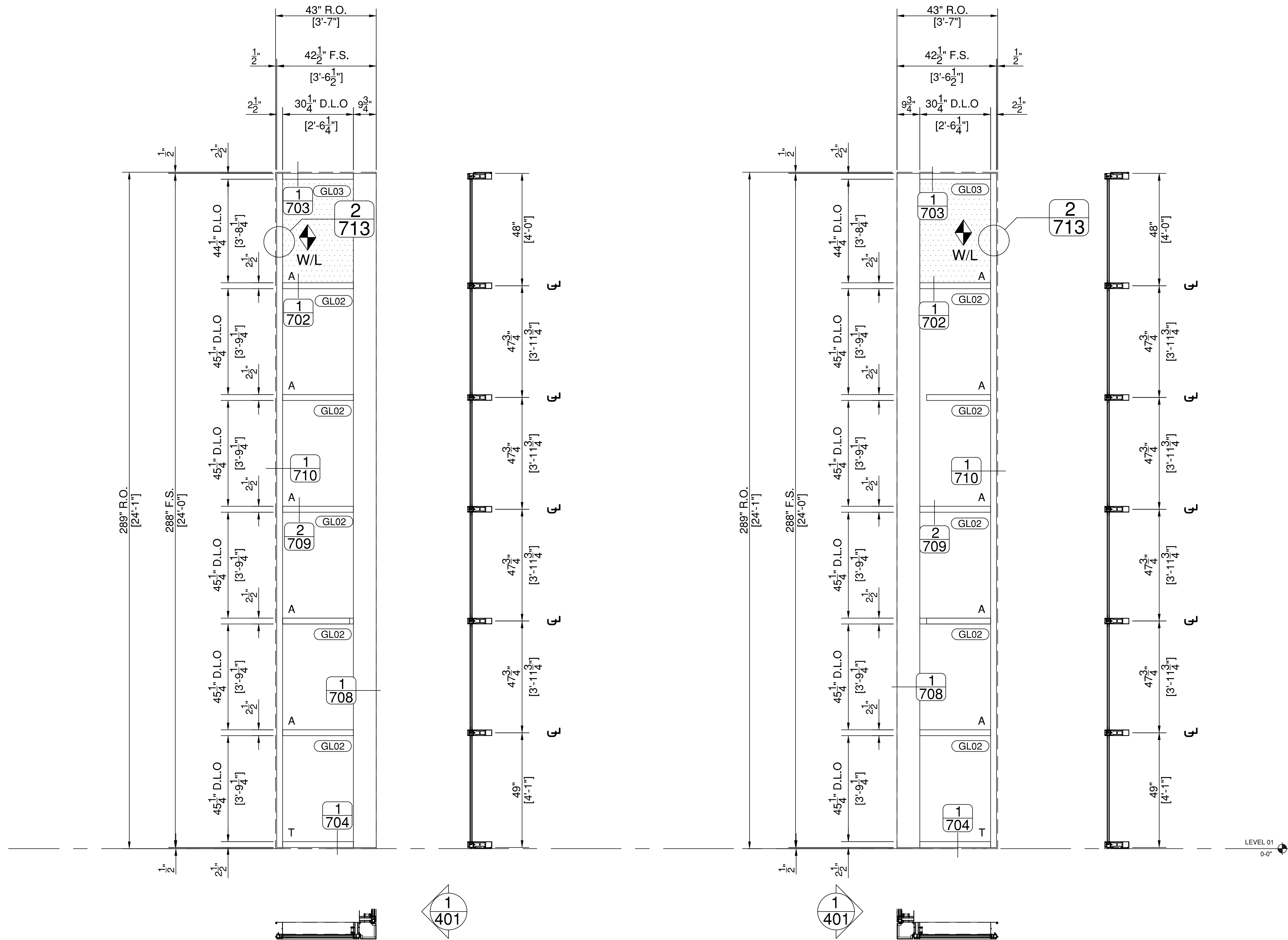


** FIELD VERIFY ALL DIMENSIONS PRIOR TO FABRICATION **

1
402 ELEVATION - "CW-1"
SCALE: 1/4" = 1 FT.
QTY: 1
ARCH. REF.: A601
SYSTEM: OLDCASTLE RELIANCE: 2-1/2" X 10" CURTAIN WALL
FINISH: BLACK ANODIZED

GLASS LEGEND	
GL01	1/4" CLEAR GLASS
GL02	1" INSULATED GLASS
GL03	1" INSULATED SPANDREL

** FIELD VERIFY ALL DIMENSIONS PRIOR TO FABRICATION **



1
403 ELEVATION - "CW-2A"
SCALE: 1/2" = 1 FT.
QTY: 2
ARCH. REF.: A601
SYSTEM: OLCASTLE RELIANCE 2-1/2" X 10" CURTAIN WALL
FINISH: BLACK ANODIZED

2
403 ELEVATION - "CW-2B"
SCALE: 1/2" = 1 FT.
QTY: 2
ARCH. REF.: A601
SYSTEM: OLCASTLE RELIANCE 2-1/2" X 10" CURTAIN WALL
FINISH: BLACK ANODIZED

GLASS LEGEND	
GL01	1/4" CLEAR GLASS
GL02	1" INSULATED GLASS
GL03	1" INSULATED SPANDREL

** FIELD VERIFY ALL DIMENSIONS PRIOR TO FABRICATION **

LAKE KEOWEE FORD

10815 CLEMSON BLVD.
SENECA, SC 29678



WWW.CLEARDRAFTINGSOLUTIONS.COM

GLAZING CONTRACTOR

ARCHITECT

THIS DRAWING AND THE INFORMATION ON THIS PAGE ARE PROPERTY OF CLEAR DRAFTING SOLUTIONS AND ITS CLIENT. REPRODUCTION AND DISTRIBUTION OF THIS INFORMATION IS PROHIBITED WITHOUT WRITTEN CONSENT

ISSUE/REVISION

PROJECT NAME

LAKE KEOWEE FORD

FILE NAME

lake_keowee_ford.dwg

SCALE

1/2" = 1 FT.

DRAWN BY

AP

CHECKED BY

SHEET DESCRIPTION

ELEVATION

SHEET

403

**LAKE KEOWEE
FORD**

10815 CLEMSON BLVD.
SENECA, SC 29678



WWW.CLEARDRAFTINGSOLUTIONS.COM

GLAZING CONTRACTOR

ARCHITECT

THIS DRAWING AND THE INFORMATION ON THIS PAGE ARE PROPERTY OF CLEAR DRAFTING SOLUTIONS AND ITS CLIENT. REPRODUCTION AND DISTRIBUTION OF THIS INFORMATION IS PROHIBITED WITHOUT WRITTEN CONSENT

ISSUE/REVISION

PROJECT NAME

LAKE KEOWEE FORD

FILE NAME

lake_keowee_ford.dwg

SCALE

1/2" = 1 FT.

DRAWN BY

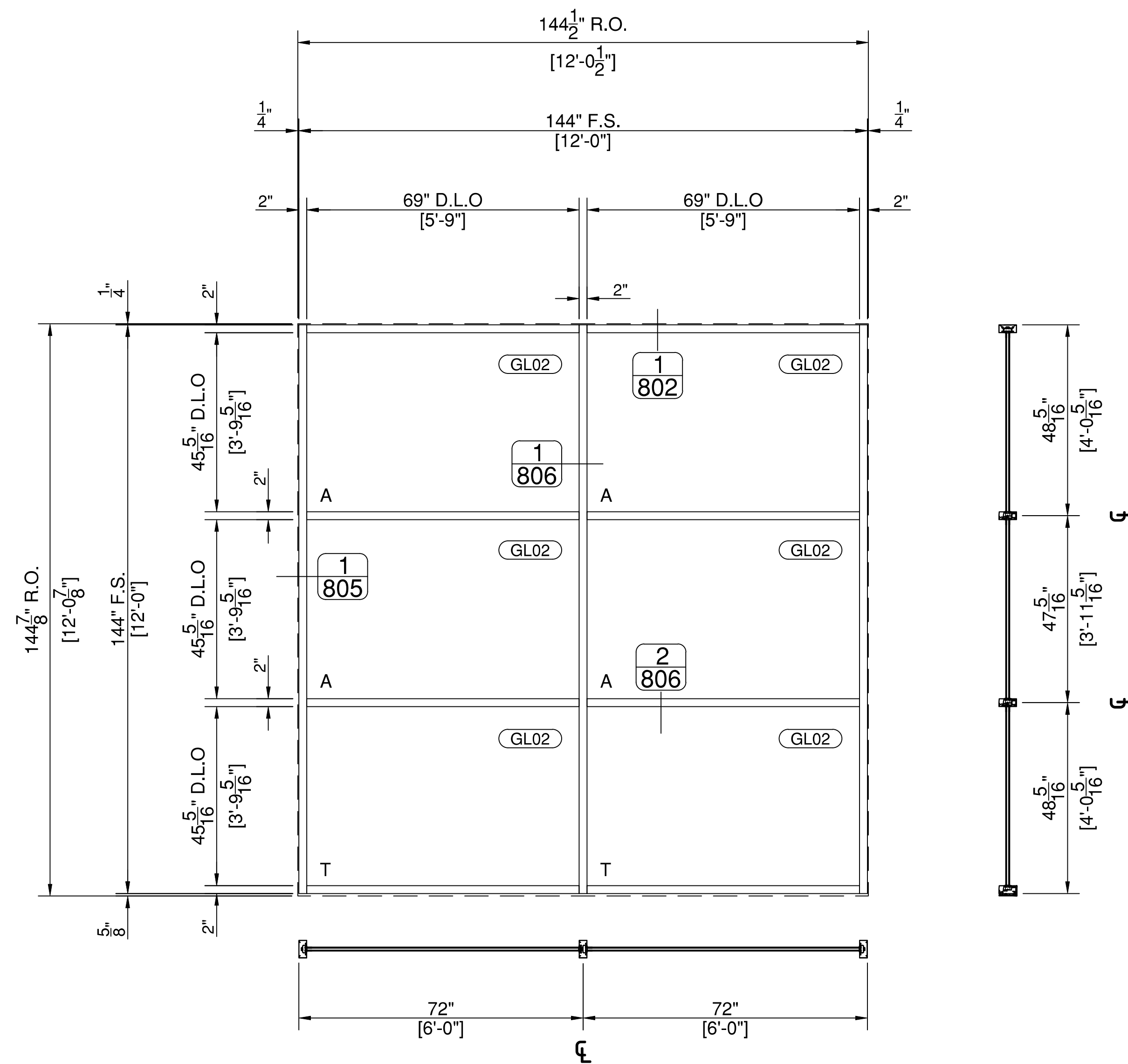
AP

CHECKED BY

SHEET DESCRIPTION
ELEVATION

SHEET

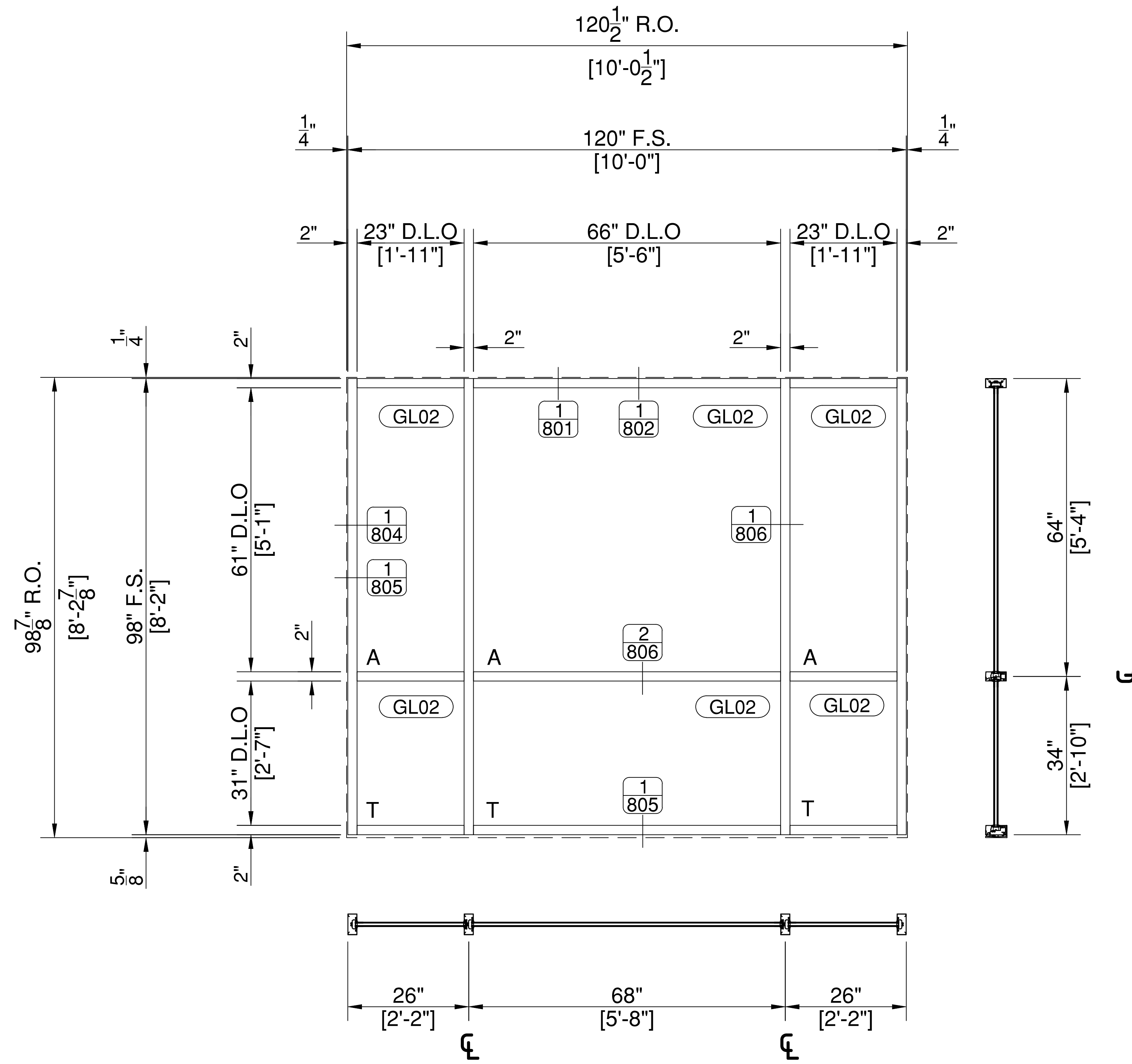
501



1
501 ELEVATION - "CW-4"
SCALE: 1/2" = 1 FT.
QTY: 1
ARCH. REF.: A601
SYSTEM: OLDCASTLE SERIES 3000 2" X 4-1/2" THERMAL
FINISH: BLACK ANODIZED

GLASS LEGEND	
GL01	1/4" CLEAR GLASS
GL02	1" INSULATED GLASS
GL03	1" INSULATED SPANDREL

** FIELD VERIFY ALL DIMENSIONS PRIOR TO FABRICATION **



1
502 ELEVATION - "CW-3"
 SCALE: 1/2" = 1 FT.
 QTY: 7
 ARCH. REF.: A601
 SYSTEM: OLDCASTLE SERIES 3000 2" X 4-1/2" THERMAL
 FINISH: BLACK ANODIZED

GLASS LEGEND	
GL01	1/4" CLEAR GLASS
GL02	1" INSULATED GLASS
GL03	1" INSULATED SPANDREL

** FIELD VERIFY ALL DIMENSIONS PRIOR TO FABRICATION **

LAKE KEOWEE FORD

10815 CLEMSON BLVD.
SENECA, SC 29678



WWW.CLEARDRAFTINGSOLUTIONS.COM

GLAZING CONTRACTOR

ARCHITECT

THIS DRAWING AND THE INFORMATION ON THIS PAGE ARE PROPERTY OF CLEAR DRAFTING SOLUTIONS AND ITS CLIENT. REPRODUCTION AND DISTRIBUTION OF THIS INFORMATION IS PROHIBITED WITHOUT WRITTEN CONSENT

ISSUE/REVISION

PROJECT NAME
LAKE KEOWEE FORD

FILE NAME
lake_keowee_ford.dwg

SCALE
1/2" = 1 FT.

DRAWN BY
AP

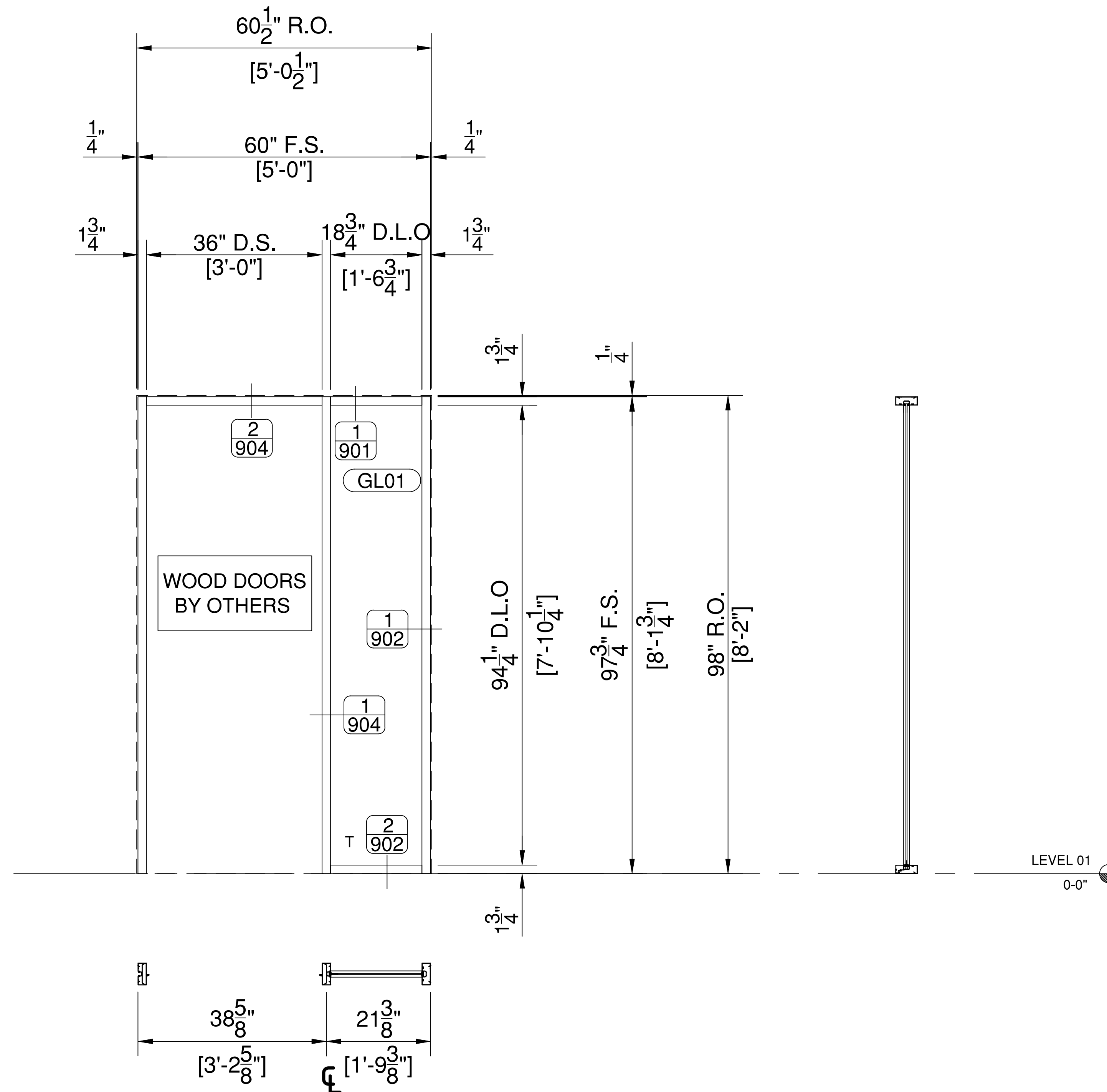
CHECKED BY

SHEET DESCRIPTION
ELEVATION

SHEET

502

** FIELD VERIFY ALL DIMENSIONS PRIOR TO FABRICATION **



1
601 ELEVATION - "SW-1"
 SCALE: 1/2" = 1 FT.
 QTY: 7
 ARCH. REF.: A601
 SYSTEM: OLDCASTLE FG-2000 1-3/4" X 4-1/2" NON-THERMAL
 FINISH: BLACK ANODIZED

GLASS LEGEND	
GL01	1/4" CLEAR GLASS
GL02	1" INSULATED GLASS
GL03	1" INSULATED SPANDREL

** FIELD VERIFY ALL DIMENSIONS PRIOR TO FABRICATION **

LAKE KEOWEE FORD

10815 CLEMSON BLVD.
SENECA, SC 29678



WWW.CLEARDRAFTINGSOLUTIONS.COM

GLAZING CONTRACTOR

ARCHITECT

THIS DRAWING AND THE INFORMATION ON THIS PAGE ARE PROPERTY OF CLEAR DRAFTING SOLUTIONS AND ITS CLIENT. REPRODUCTION AND DISTRIBUTION OF THIS INFORMATION IS PROHIBITED WITHOUT WRITTEN CONSENT

ISSUE/REVISION

PROJECT NAME

LAKE KEOWEE FORD

FILE NAME

lake_keowee_ford.dwg

SCALE

DRAWN BY
AP

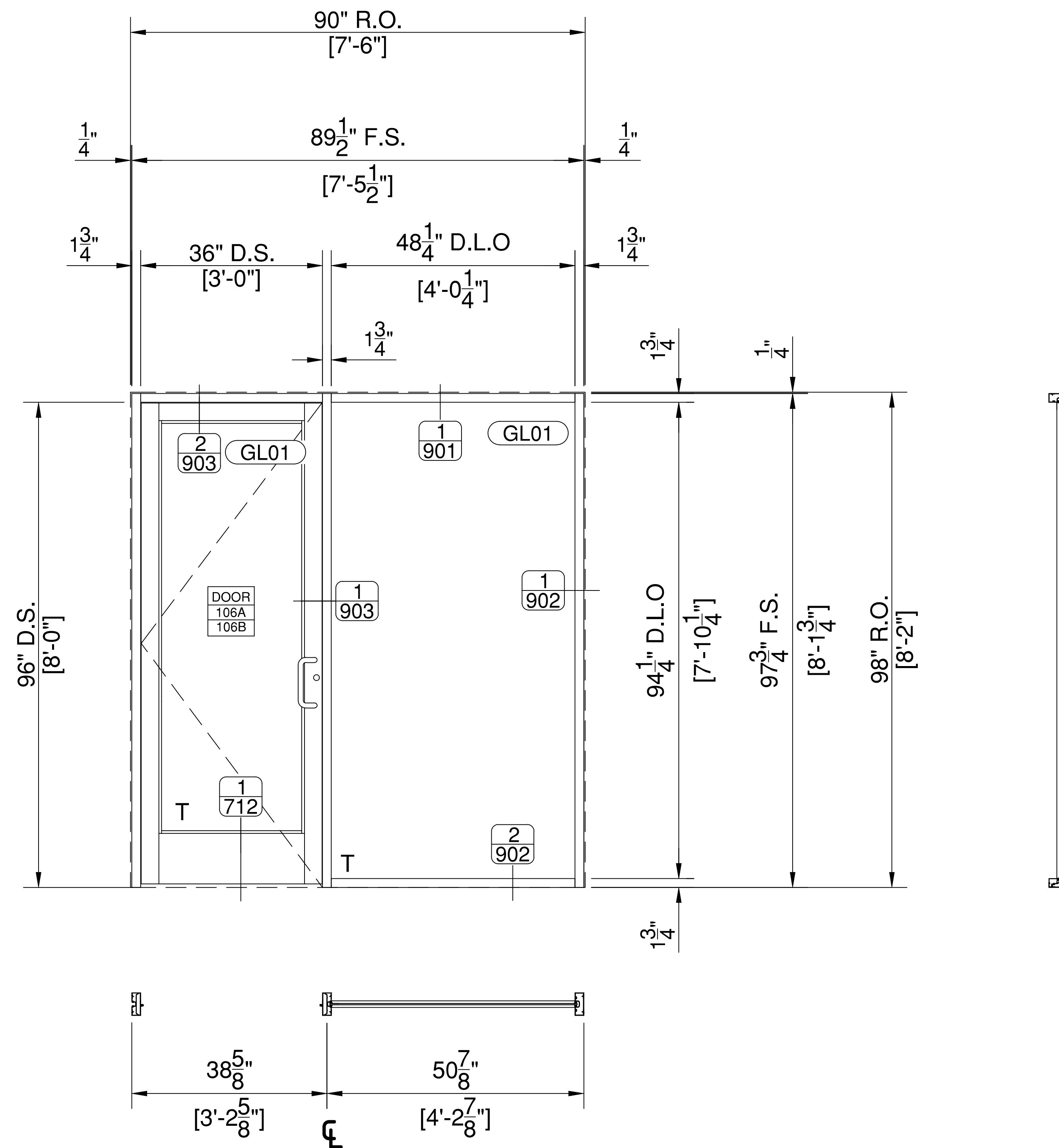
CHECKED BY

SHEET DESCRIPTION
ELEVATION

SHEET

601

** FIELD VERIFY ALL DIMENSIONS PRIOR TO FABRICATION **



1
602 ELEVATION - "SW-4"
SCALE: 1/2" = 1 FT.
QTY: 2
ARCH. REF.: A601
SYSTEM: OLDCASTLE FG-2000 1-3/4" X 4-1/2" NON-THERMAL
FINISH: BLACK ANODIZED

GLASS LEGEND	
GL01	1/4" CLEAR GLASS
GL02	1" INSULATED GLASS
GL03	1" INSULATED SPANDREL

** FIELD VERIFY ALL DIMENSIONS PRIOR TO FABRICATION **

LAKE KEOWEE FORD

10815 CLEMSON BLVD.
SENECA, SC 29678



WWW.CLEARDRAFTINGSOLUTIONS.COM

GLAZING CONTRACTOR

ARCHITECT

THIS DRAWING AND THE INFORMATION ON THIS PAGE ARE PROPERTY OF CLEAR DRAFTING SOLUTIONS AND ITS CLIENT. REPRODUCTION AND DISTRIBUTION OF THIS INFORMATION IS PROHIBITED WITHOUT WRITTEN CONSENT

ISSUE/REVISION

PROJECT NAME
LAKE KEOWEE FORD

FILE NAME
lake_keowee_ford.dwg

SCALE

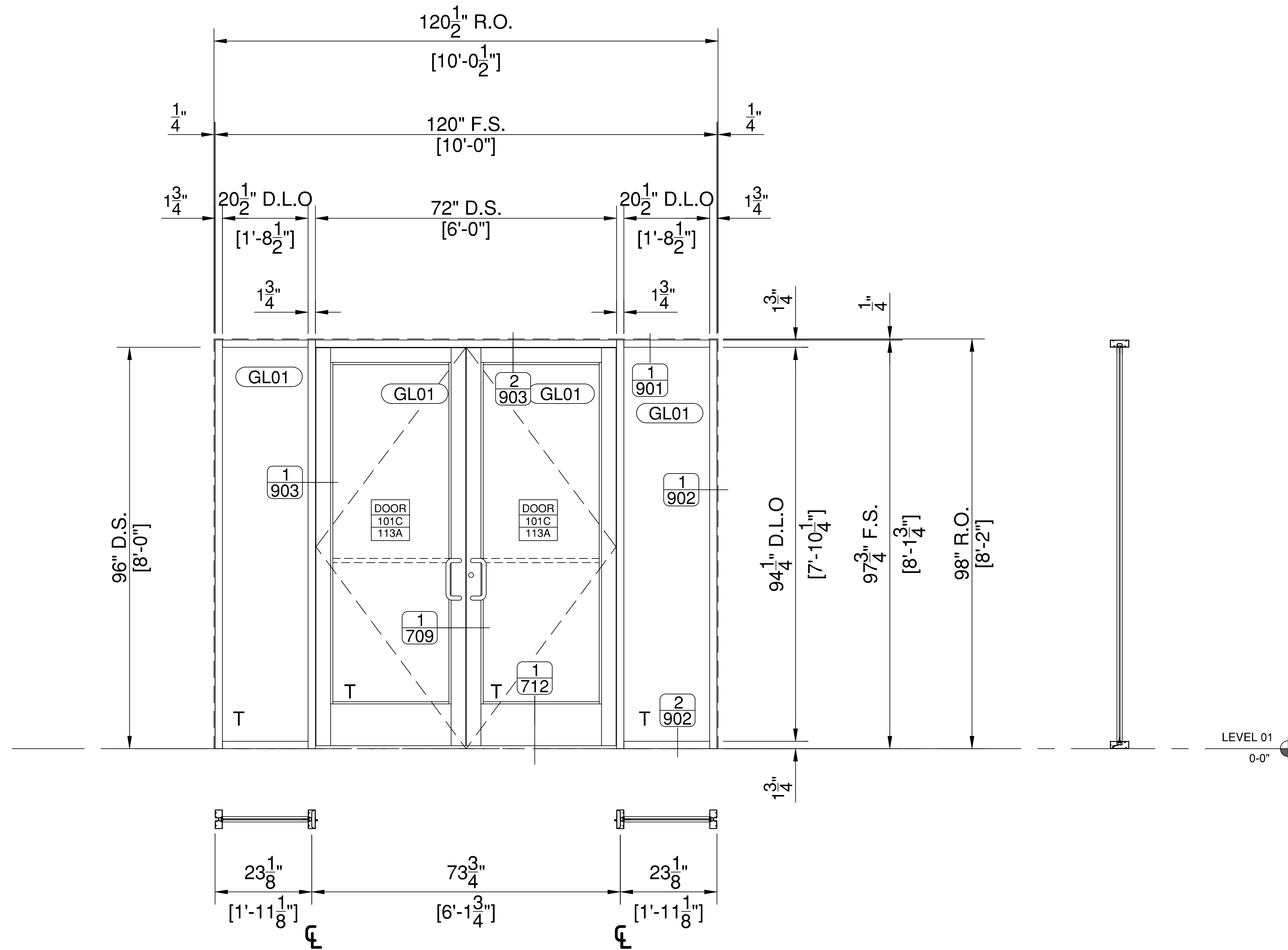
DRAWN BY
AP

CHECKED BY

SHEET DESCRIPTION
ELEVATION

SHEET
602

** FIELD VERIFY ALL DIMENSIONS PRIOR TO FABRICATION **



1
603 ELEVATION - "SW-6"
 SCALE: 1/2" = 1 FT.
 QTY: 2
 ARCH. REF.: A601
 SYSTEM: OLDCASTLE FG-2000 1-3/4" X 4-1/2" NON-THERMAL
 FINISH: BLACK ANODIZED

** FIELD VERIFY ALL DIMENSIONS PRIOR TO FABRICATION **

GLASS LEGEND	
GL01	1/4" CLEAR GLASS
GL02	1" INSULATED GLASS
GL03	1" INSULATED SPANDREL

LAKE KEOWEE FORD

10815 CLEMSON BLVD.
SENECA, SC 29678



WWW.CLEARDRAFTINGSOLUTIONS.COM

GLAZING CONTRACTOR

ARCHITECT

THIS DRAWING AND THE INFORMATION ON THIS PAGE ARE PROPERTY OF CLEAR DRAFTING SOLUTIONS AND ITS CLIENT. REPRODUCTION AND DISTRIBUTION OF THIS INFORMATION IS PROHIBITED WITHOUT WRITTEN CONSENT

ISSUE/REVISION

PROJECT NAME

LAKE KEOWEE FORD

FILE NAME

lake_keowee_ford.dwg

SCALE

DRAWN BY

AP

CHECKED BY

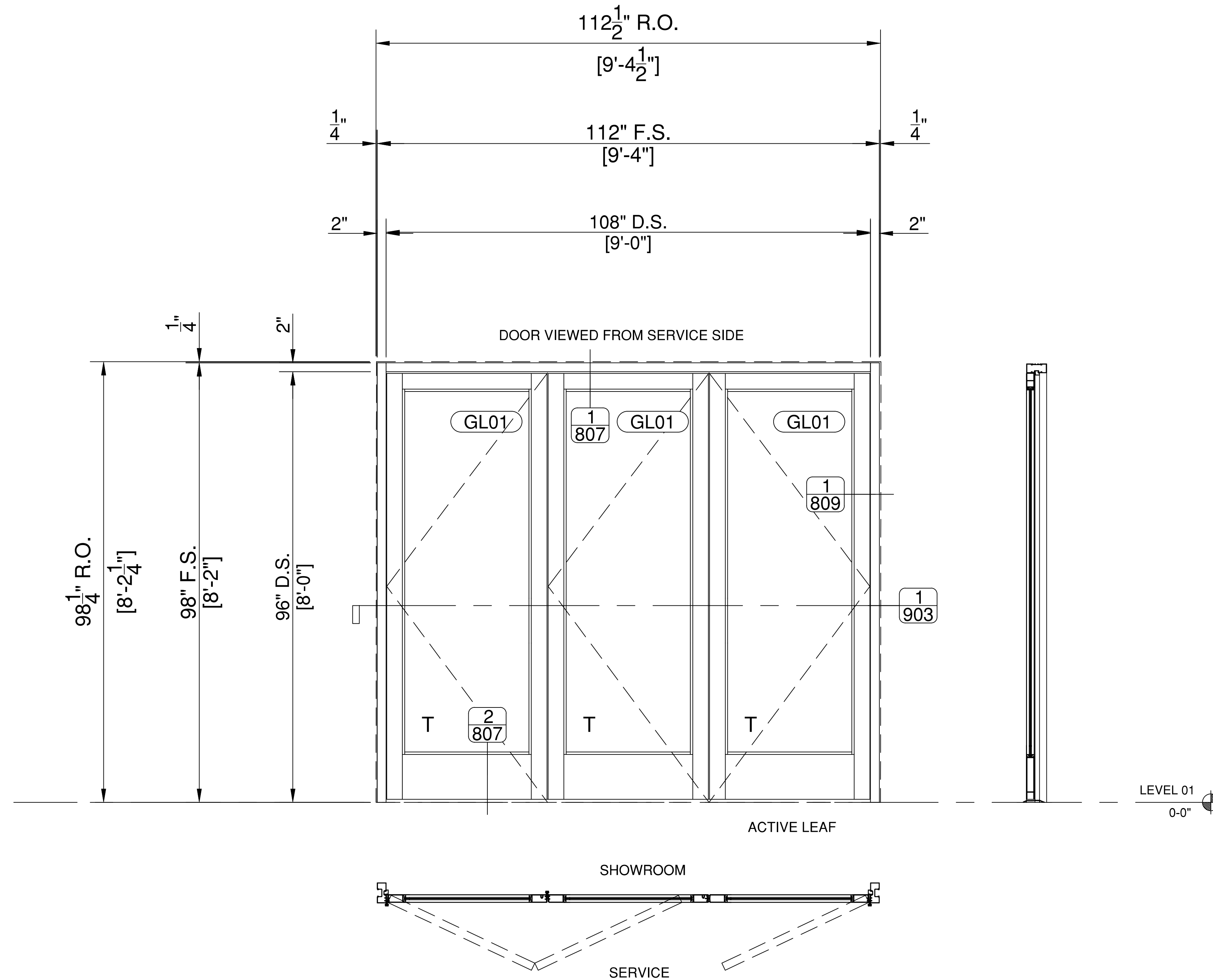
SHEET DESCRIPTION

ELEVATION

SHEET

603

** FIELD VERIFY ALL DIMENSIONS PRIOR TO FABRICATION **



1
604 ELEVATION - "SW-7" - BI-FOLDING DOOR
SCALE: 1/2" = 1 FT.
QTY: 1
ARCH. REF.: A601
SYSTEM: US ALUM. SERIES 400 MED. STILE ENTRANCE
FINISH: BLACK ANODIZED

GLASS LEGEND	
GL01	1/4" CLEAR GLASS
GL02	1" INSULATED GLASS
GL03	1" INSULATED SPANDREL

** FIELD VERIFY ALL DIMENSIONS PRIOR TO FABRICATION **

LAKE KEOWEE
FORD

10815 CLEMSON BLVD.
SENECA, SC 29678

Clear Drafting
Solutions

WWW.CLEARDRAFTINGSOLUTIONS.COM

GLAZING CONTRACTOR

ARCHITECT

THIS DRAWING AND THE INFORMATION
ON THIS PAGE ARE PROPERTY OF CLEAR
DRAFTING SOLUTIONS AND ITS CLIENT.
REPRODUCTION AND DISTRIBUTION OF
THIS INFORMATION IS PROHIBITED
WITHOUT WRITTEN CONSENT

ISSUE/REVISION

PROJECT NAME

LAKE KEOWEE FORD

FILE NAME

lake_keowee_ford.dwg

SCALE

DRAWN BY

AP

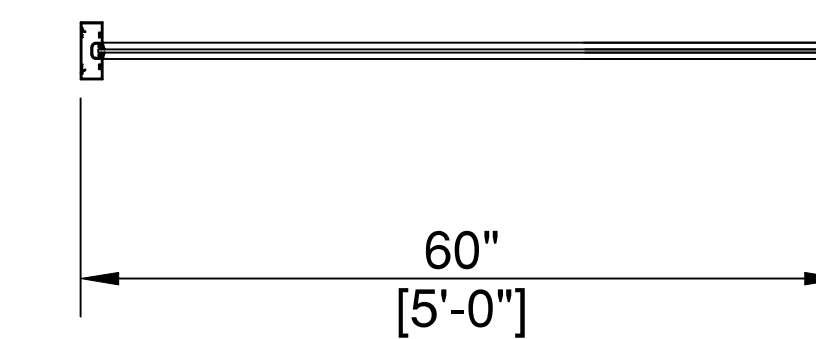
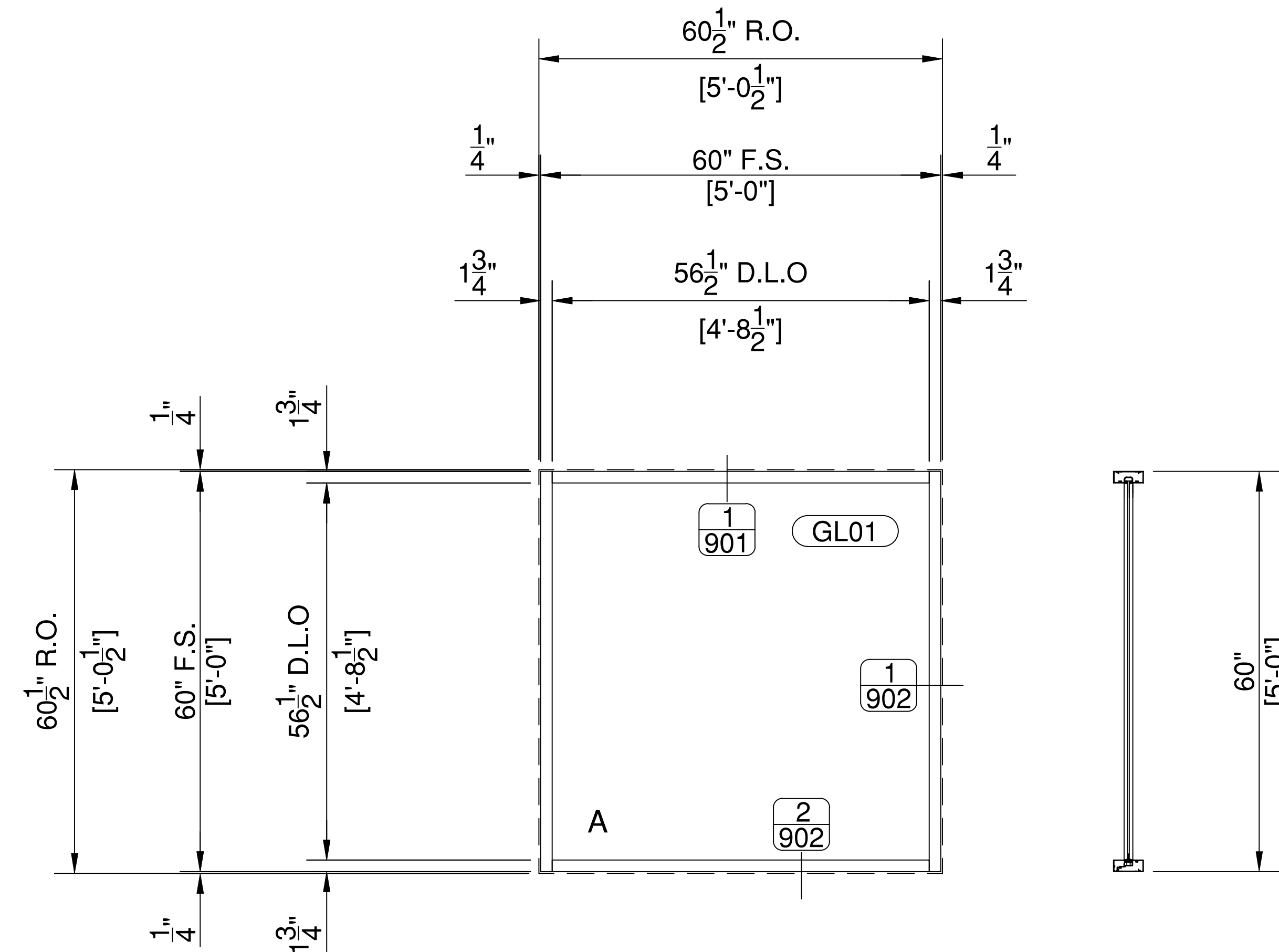
CHECKED BY

SHEET DESCRIPTION
ELEVATION

SHEET

604

** FIELD VERIFY ALL DIMENSIONS PRIOR TO FABRICATION **



1
605 ELEVATION - "SW-2"
SCALE: 1/2" = 1 FT.
QTY: 1
ARCH. REF.: A601
SYSTEM: OLDCASTLE FG-2000 1-3/4" X 4-1/2" NON-THERMAL
FINISH: BLACK ANODIZED

LEVEL 01
0-0"

GLASS LEGEND	
GL01	1/4" CLEAR GLASS
GL02	1" INSULATED GLASS
GL03	1" INSULATED SPANDREL

** FIELD VERIFY ALL DIMENSIONS PRIOR TO FABRICATION **

**LAKE KEOWEE
FORD**

10815 CLEMSON BLVD.
SENECA, SC 29678



WWW.CLEARDRAFTINGSOLUTIONS.COM

GLAZING CONTRACTOR

ARCHITECT

THIS DRAWING AND THE INFORMATION ON THIS PAGE ARE PROPERTY OF CLEAR DRAFTING SOLUTIONS AND ITS CLIENT. REPRODUCTION AND DISTRIBUTION OF THIS INFORMATION IS PROHIBITED WITHOUT WRITTEN CONSENT

ISSUE/REVISION

PROJECT NAME
LAKE KEOWEE FORD

FILE NAME
lake_keowee_ford.dwg

SCALE

DRAWN BY
AP

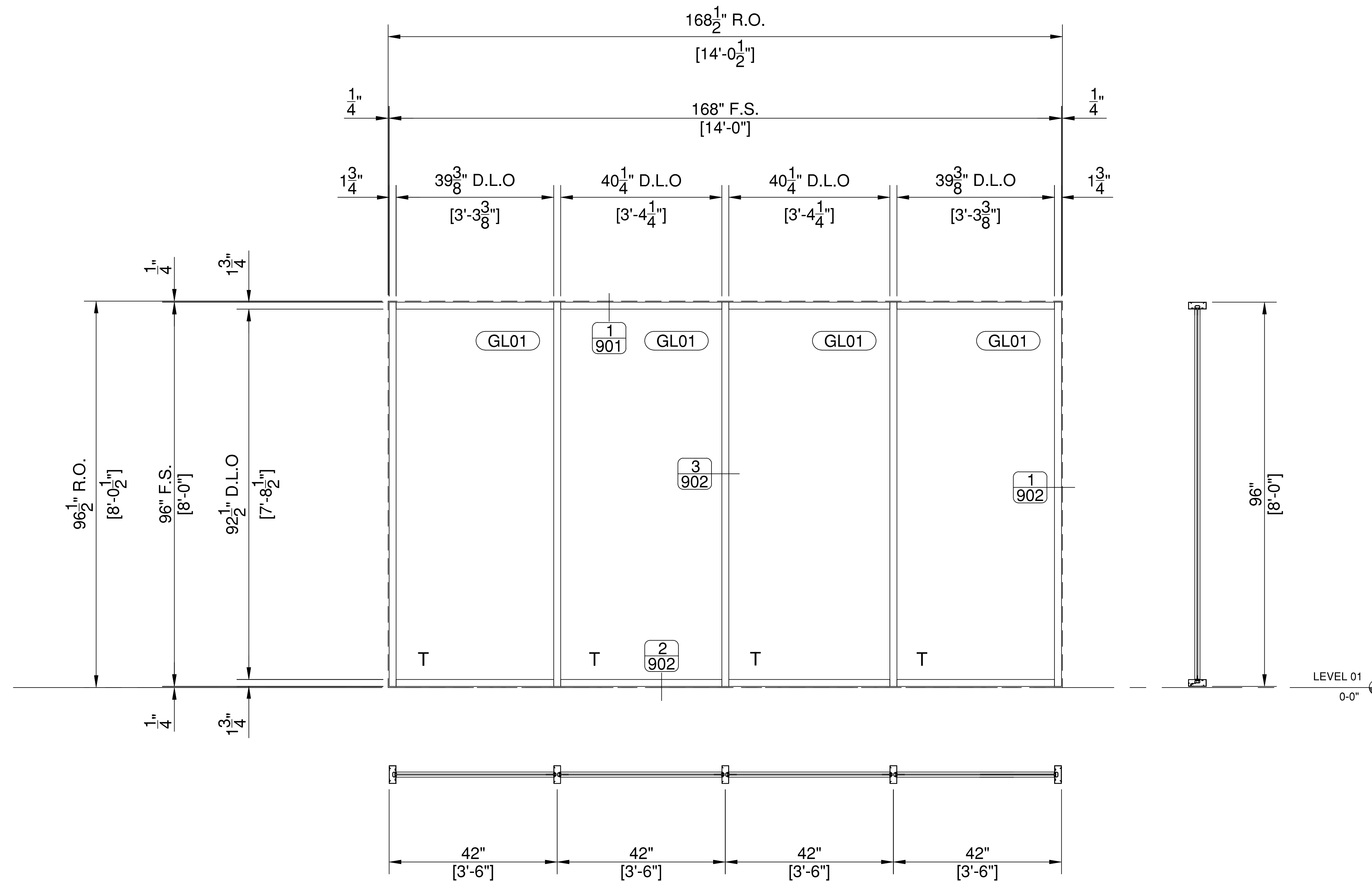
CHECKED BY

SHEET DESCRIPTION
ELEVATION

SHEET

605

** FIELD VERIFY ALL DIMENSIONS PRIOR TO FABRICATION **



1 ELEVATION - "SW-3"
606 SCALE: 1/2" = 1 FT.
 QTY: 1
 ARCH. REF.: A601
 SYSTEM: OLDCASTLE FG-2000 1-3/4" X 4-1/2" NON-THERMAL
 FINISH: BLACK ANODIZED

** FIELD VERIFY ALL DIMENSIONS PRIOR TO FABRICATION **

GLASS LEGEND	
GL01	1/4" CLEAR GLASS
GL02	1" INSULATED GLASS
GL03	1" INSULATED SPANDREL

LAKE KEOWEE FORD

10815 CLEMSON BLVD.
SENECA, SC 29678



WWW.CLEARDRAFTINGSOLUTIONS.COM

GLAZING CONTRACTOR

ARCHITECT

THIS DRAWING AND THE INFORMATION ON THIS PAGE ARE PROPERTY OF CLEAR DRAFTING SOLUTIONS AND ITS CLIENT. REPRODUCTION AND DISTRIBUTION OF THIS INFORMATION IS PROHIBITED WITHOUT WRITTEN CONSENT

ISSUE/REVISION

PROJECT NAME

LAKE KEOWEE FORD

FILE NAME

lake_keowee_ford.dwg

SCALE

DRAWN BY

AP

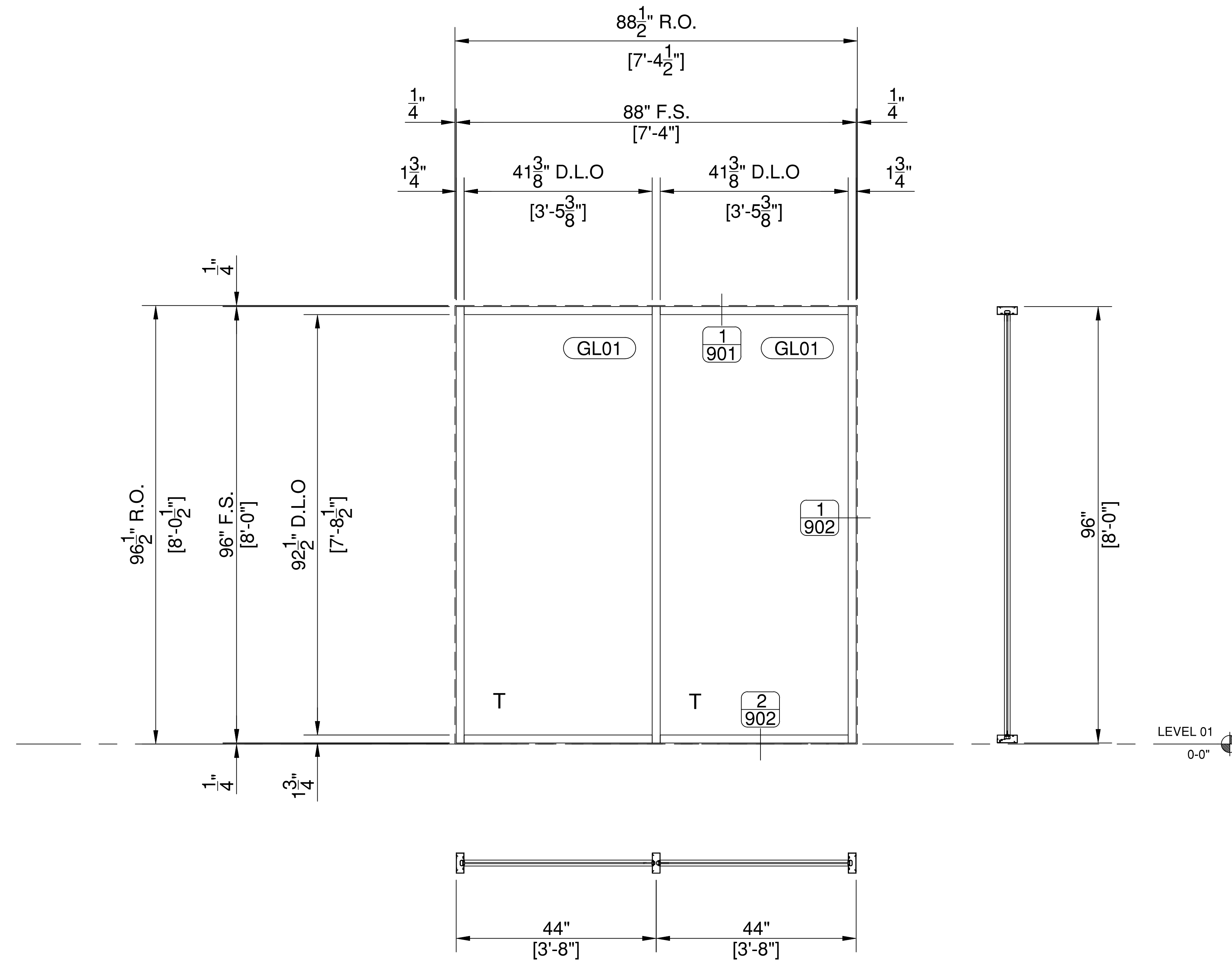
CHECKED BY

SHEET DESCRIPTION
ELEVATION

SHEET

606

** FIELD VERIFY ALL DIMENSIONS PRIOR TO FABRICATION **



1
607 ELEVATION - "SW-5"
 SCALE: 1/2" = 1 FT.
 QTY: 1
 ARCH. REF.: A601
 SYSTEM: OLDCASTLE FG-2000 1-3/4" X 4-1/2" NON-THERMAL
 FINISH: BLACK ANODIZED

GLASS LEGEND	
GL01	1/4" CLEAR GLASS
GL02	1" INSULATED GLASS
GL03	1" INSULATED SPANDREL

** FIELD VERIFY ALL DIMENSIONS PRIOR TO FABRICATION **

LAKE KEOWEE FORD

10815 CLEMSON BLVD.
SENECA, SC 29678



WWW.CLEARDRAFTINGSOLUTIONS.COM

GLAZING CONTRACTOR

ARCHITECT

THIS DRAWING AND THE INFORMATION ON THIS PAGE ARE PROPERTY OF CLEAR DRAFTING SOLUTIONS AND ITS CLIENT. REPRODUCTION AND DISTRIBUTION OF THIS INFORMATION IS PROHIBITED WITHOUT WRITTEN CONSENT

ISSUE/REVISION

PROJECT NAME

LAKE KEOWEE FORD

FILE NAME

lake_keowee_ford.dwg

SCALE

DRAWN BY
AP

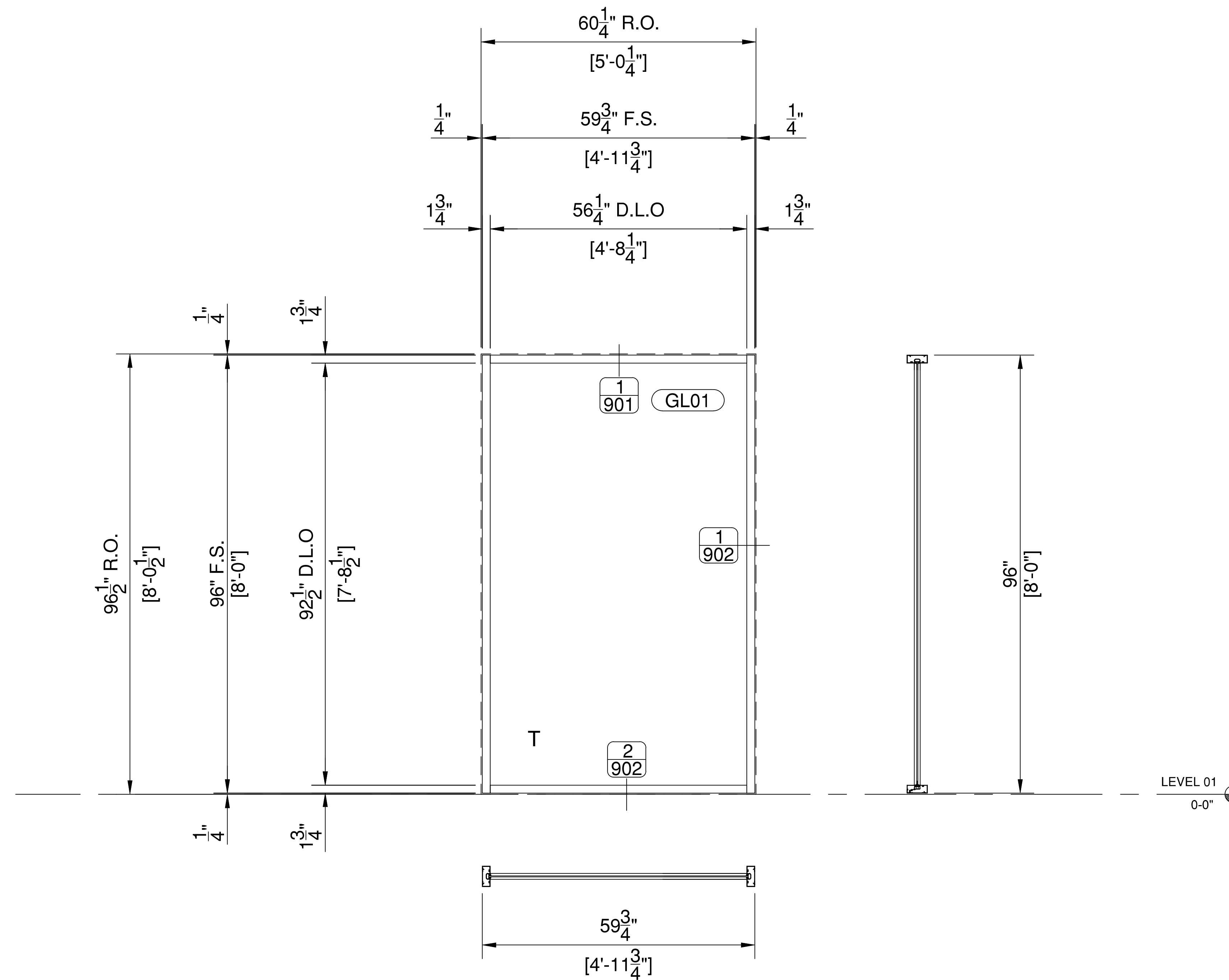
CHECKED BY

SHEET DESCRIPTION
ELEVATION

SHEET

607

** FIELD VERIFY ALL DIMENSIONS PRIOR TO FABRICATION **



1
608 ELEVATION - "SW-8"
 SCALE: 1/2" = 1 FT.
 QTY: 1
 ARCH. REF.: A601
 SYSTEM: OLDCASTLE FG-2000 1-3/4" X 4-1/2" NON-THERMAL
 FINISH: BLACK ANODIZED

GLASS LEGEND	
GL01	1/4" CLEAR GLASS
GL02	1" INSULATED GLASS
GL03	1" INSULATED SPANDREL

** FIELD VERIFY ALL DIMENSIONS PRIOR TO FABRICATION **

LAKE KEOWEE FORD

10815 CLEMSON BLVD.
SENECA, SC 29678



WWW.CLEARDRAFTINGSOLUTIONS.COM

GLAZING CONTRACTOR

ARCHITECT

THIS DRAWING AND THE INFORMATION ON THIS PAGE ARE PROPERTY OF CLEAR DRAFTING SOLUTIONS AND ITS CLIENT. REPRODUCTION AND DISTRIBUTION OF THIS INFORMATION IS PROHIBITED WITHOUT WRITTEN CONSENT

ISSUE/REVISION

PROJECT NAME
LAKE KEOWEE FORD

FILE NAME
lake_keowee_ford.dwg

SCALE

DRAWN BY
AP

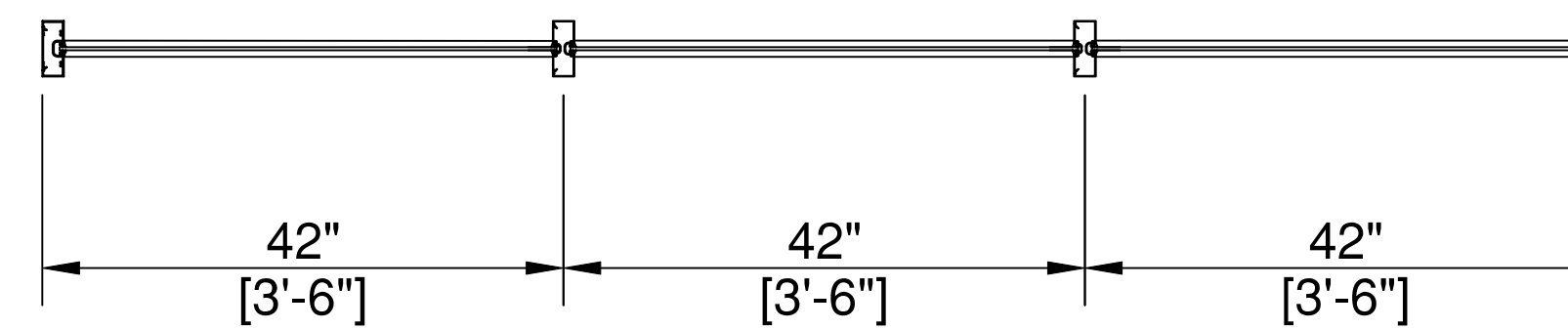
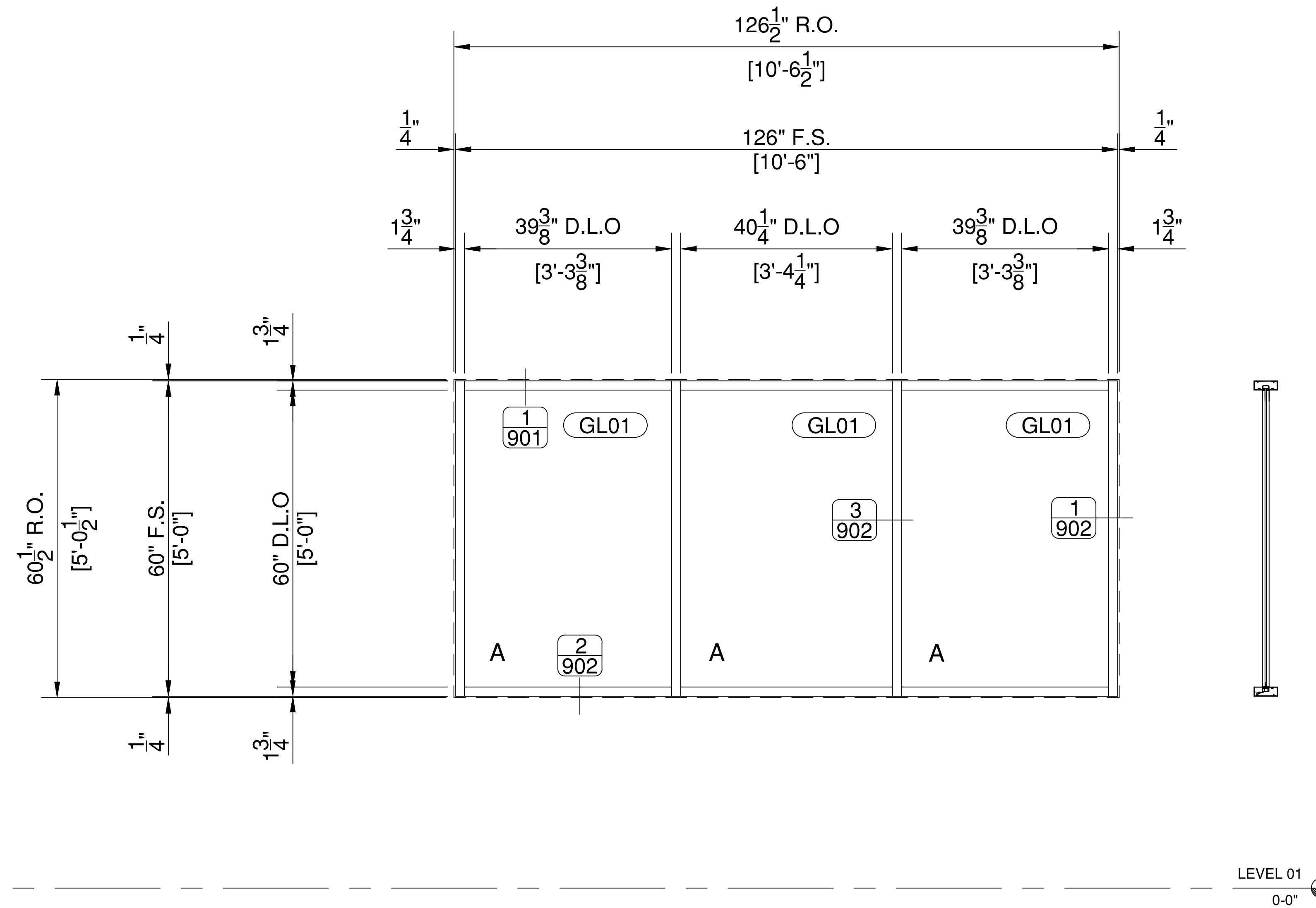
CHECKED BY

SHEET DESCRIPTION
ELEVATION

SHEET

608

** FIELD VERIFY ALL DIMENSIONS PRIOR TO FABRICATION **



1
609 ELEVATION - "SW-9"
SCALE: 1/2" = 1 FT.
QTY: 1
ARCH. REF.: A601
SYSTEM: OLDCASTLE FG-2000 1-3/4" X 4-1/2" NON-THERMAL
FINISH: BLACK ANODIZED

LEVEL 01
0'-0"

GLASS LEGEND	
GL01	1/4" CLEAR GLASS
GL02	1" INSULATED GLASS
GL03	1" INSULATED SPANDREL

** FIELD VERIFY ALL DIMENSIONS PRIOR TO FABRICATION **

LAKE KEOWEE
FORD

10815 CLEMSON BLVD.
SENECA, SC 29678



WWW.CLEARDRAFTINGSOLUTIONS.COM

GLAZING CONTRACTOR

ARCHITECT

THIS DRAWING AND THE INFORMATION ON THIS PAGE ARE PROPERTY OF CLEAR DRAFTING SOLUTIONS AND ITS CLIENT. REPRODUCTION AND DISTRIBUTION OF THIS INFORMATION IS PROHIBITED WITHOUT WRITTEN CONSENT

ISSUE/REVISION

PROJECT NAME
LAKE KEOWEE FORD

FILE NAME
lake_keowee_ford.dwg

SCALE

DRAWN BY
AP

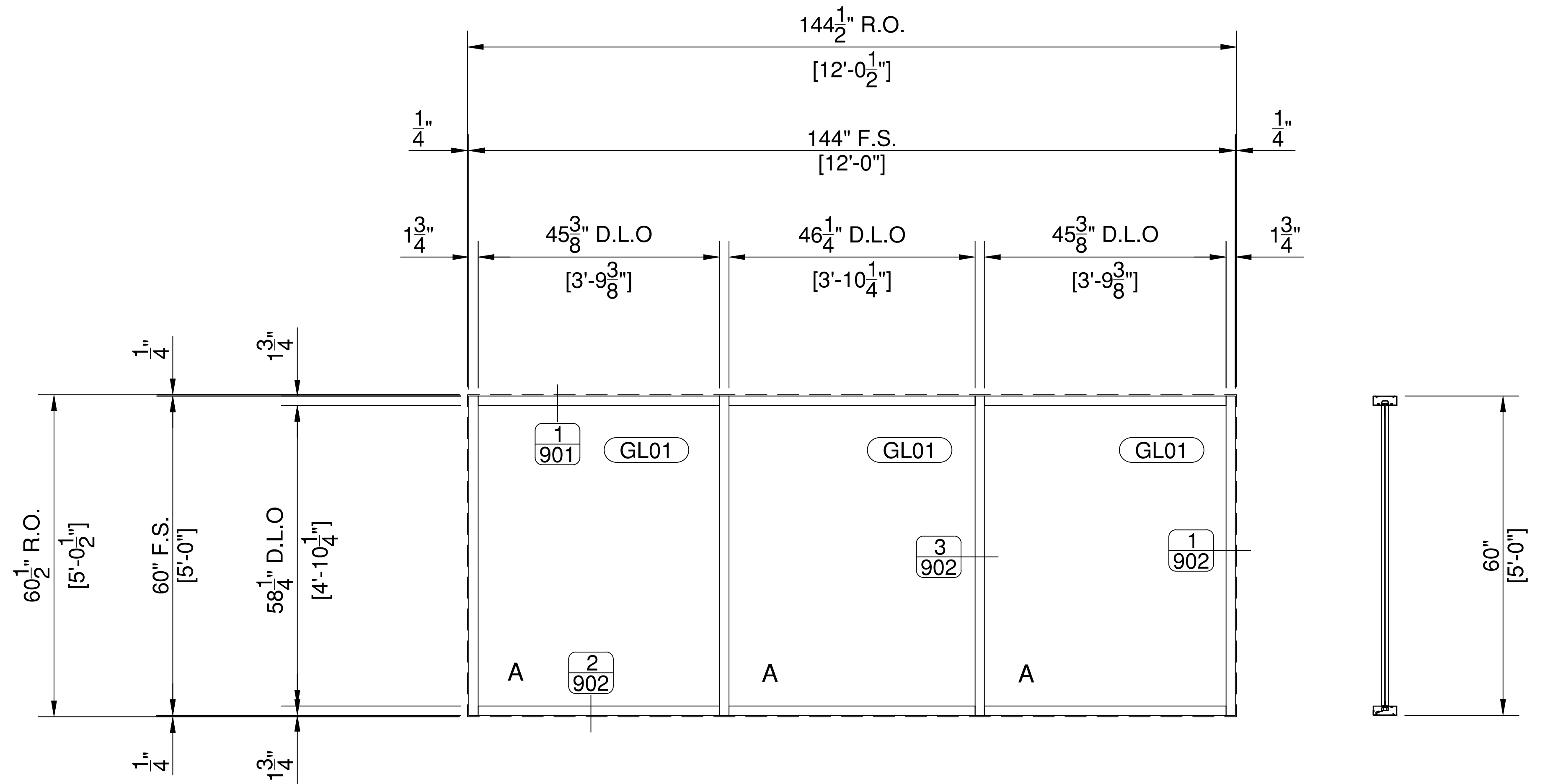
CHECKED BY

SHEET DESCRIPTION
ELEVATION

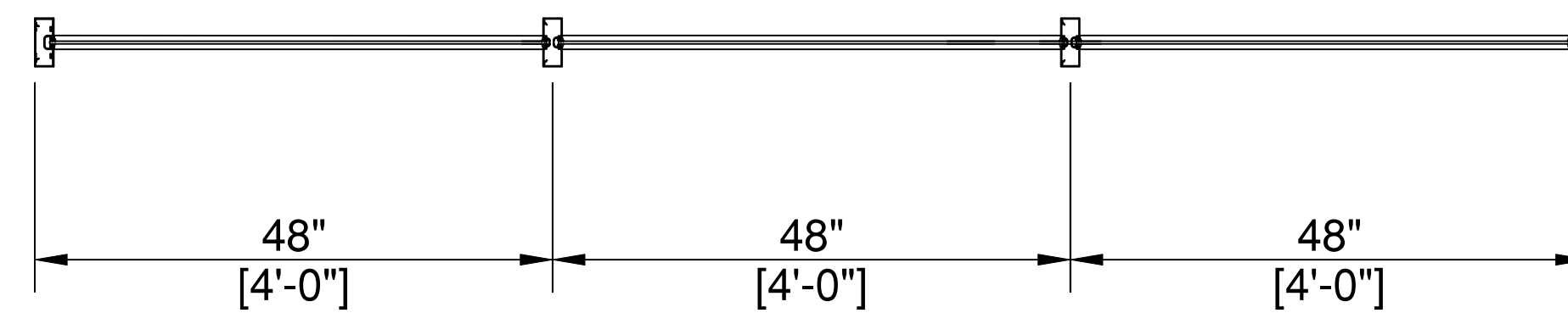
SHEET

609

** FIELD VERIFY ALL DIMENSIONS PRIOR TO FABRICATION **



LEVEL 01
0'-0"



1
610 ELEVATION - "SW-10"
SCALE: 1/2" = 1 FT.
QTY: 1
ARCH. REF.: A601
SYSTEM: OLDCASTLE FG-2000 1-3/4" X 4-1/2" NON-THERMAL
FINISH: BLACK ANODIZED

GLASS LEGEND	
GL01	1/4" CLEAR GLASS
GL02	1" INSULATED GLASS
GL03	1" INSULATED SPANDREL

** FIELD VERIFY ALL DIMENSIONS PRIOR TO FABRICATION **

LAKE KEOWEE FORD

10815 CLEMSON BLVD.
SENECA, SC 29678



WWW.CLEARDRAFTINGSOLUTIONS.COM

GLAZING CONTRACTOR

ARCHITECT

THIS DRAWING AND THE INFORMATION ON THIS PAGE ARE PROPERTY OF CLEAR DRAFTING SOLUTIONS AND ITS CLIENT. REPRODUCTION AND DISTRIBUTION OF THIS INFORMATION IS PROHIBITED WITHOUT WRITTEN CONSENT

ISSUE/REVISION

PROJECT NAME
LAKE KEOWEE FORD

FILE NAME
lake_keowee_ford.dwg

SCALE

DRAWN BY
AP

CHECKED BY

SHEET DESCRIPTION
ELEVATION

SHEET

610

**LAKE KEOWEE
FORD**

10815 CLEMSON BLVD.
SENECA, SC 29678



WWW.CLEARDRAFTINGSOLUTIONS.COM

GLAZING CONTRACTOR

ARCHITECT

THIS DRAWING AND THE INFORMATION ON THIS PAGE ARE PROPERTY OF CLEAR DRAFTING SOLUTIONS AND ITS CLIENT. REPRODUCTION AND DISTRIBUTION OF THIS INFORMATION IS PROHIBITED WITHOUT WRITTEN CONSENT

ISSUE/REVISION

PROJECT NAME

LAKE KEOWEE FORD

FILE NAME

lake_keowee_ford.dwg

SCALE

DRAWN BY

AP

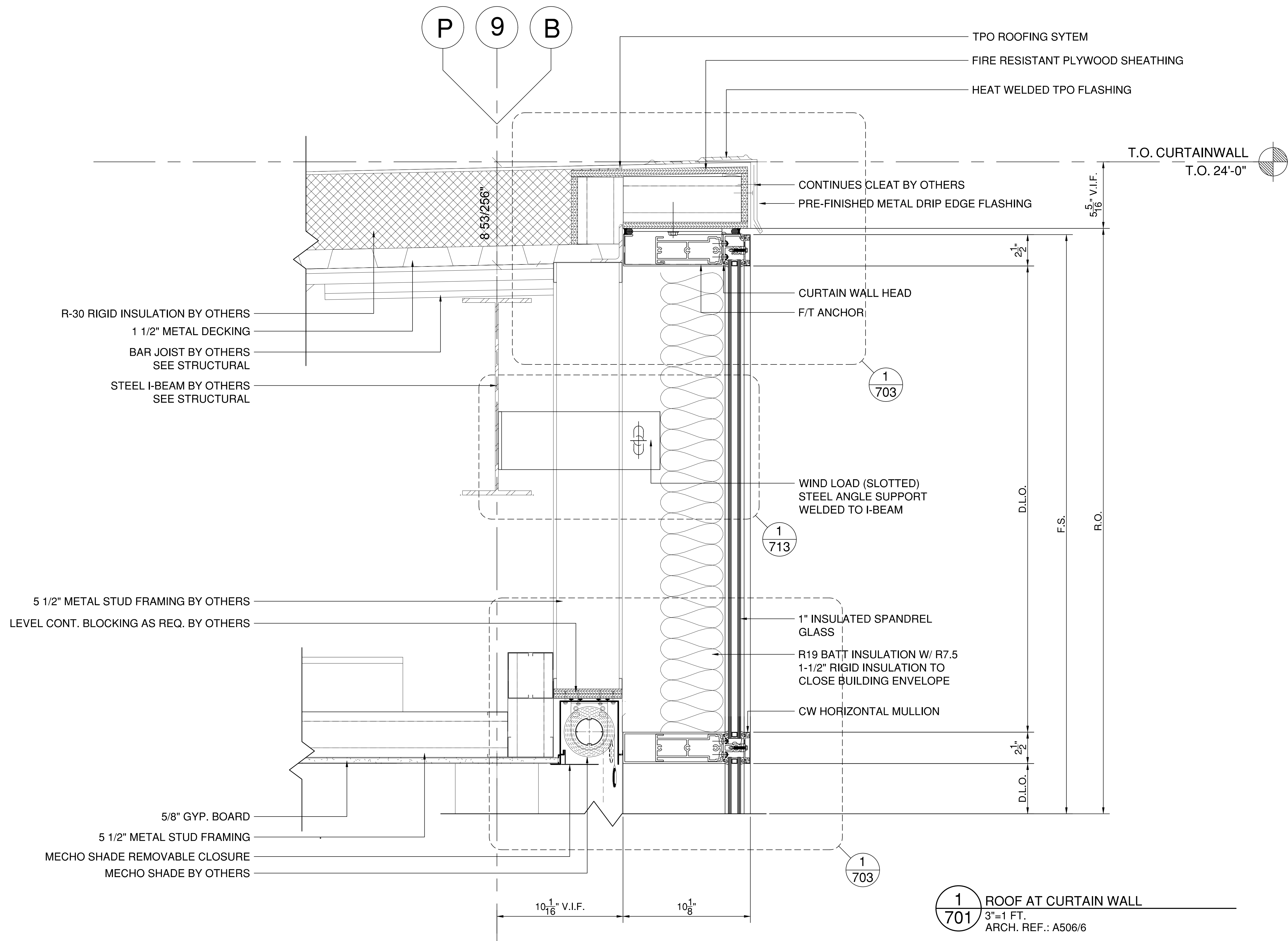
CHECKED BY

SHEET DESCRIPTION

ELEVATION

SHEET

701



1
701 ROOF AT CURTAIN WALL
3"=1 FT.
ARCH. REF.: A506/6

**LAKE KEOWEE
FORD**

10815 CLEMSON BLVD.
SENECA, SC 29678



WWW.CLEARDRAFTINGSOLUTIONS.COM

GLAZING CONTRACTOR

ARCHITECT

THIS DRAWING AND THE INFORMATION ON THIS PAGE ARE PROPERTY OF CLEAR DRAFTING SOLUTIONS AND ITS CLIENT. REPRODUCTION AND DISTRIBUTION OF THIS INFORMATION IS PROHIBITED WITHOUT WRITTEN CONSENT

ISSUE/REVISION

PROJECT NAME

LAKE KEOWEE FORD

FILE NAME

lake_keowee_ford.dwg

SCALE

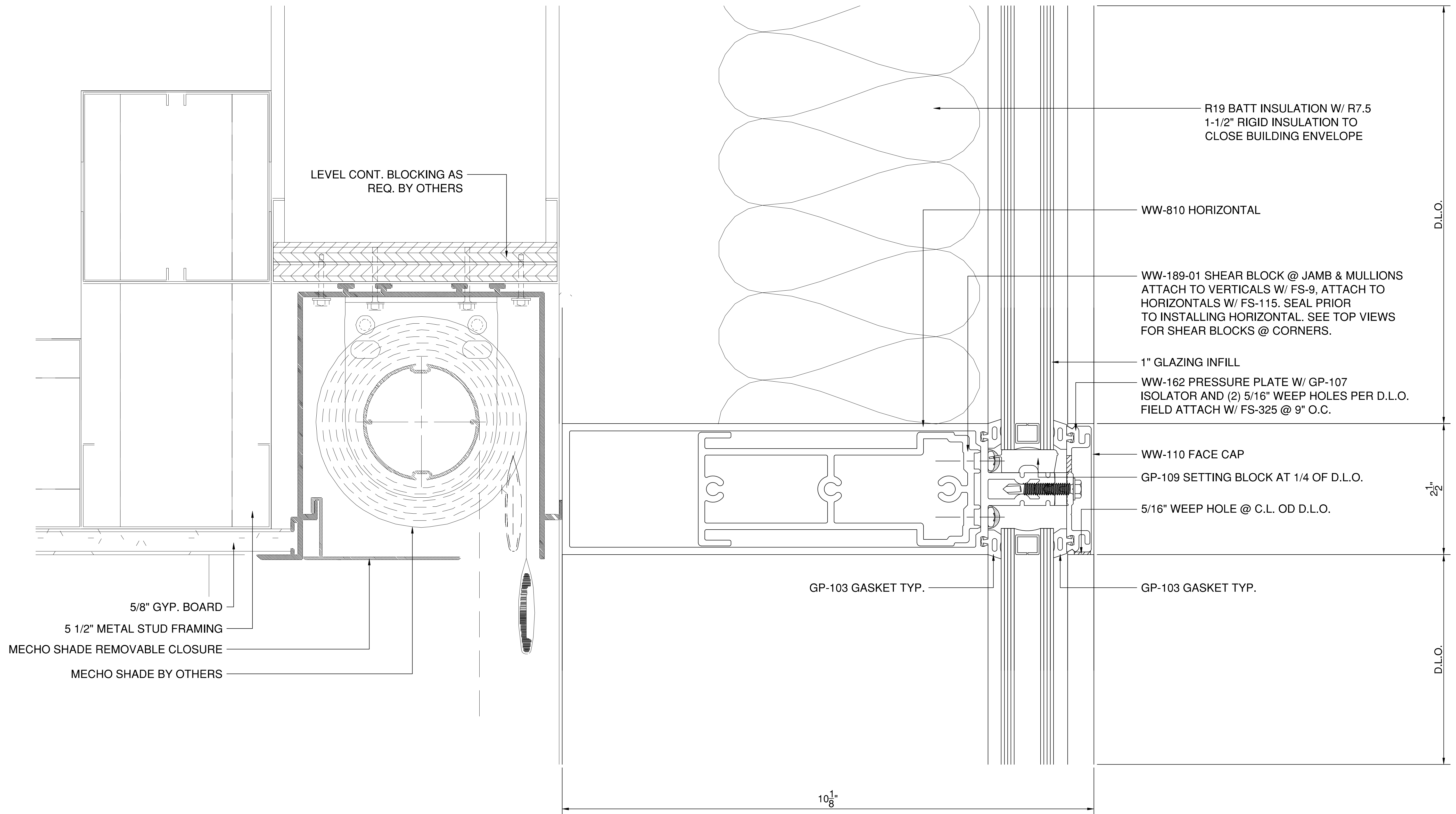
DRAWN BY
AP

CHECKED BY

SHEET DESCRIPTION
ELEVATION

SHEET

702



1
702 CURTAIN WALL AT ROOF
1 FT. = 1 FT.
ARCH. REF.: A506/6

**LAKE KEOWEE
FORD**

10815 CLEMSON BLVD.
SENECA, SC 29678



WWW.CLEARDRAFTINGSOLUTIONS.COM

GLAZING CONTRACTOR

ARCHITECT

THIS DRAWING AND THE INFORMATION ON THIS PAGE ARE PROPERTY OF CLEAR DRAFTING SOLUTIONS AND ITS CLIENT. REPRODUCTION AND DISTRIBUTION OF THIS INFORMATION IS PROHIBITED WITHOUT WRITTEN CONSENT

ISSUE/REVISION

PROJECT NAME

LAKE KEOWEE FORD

FILE NAME

lake_keowee_ford.dwg

SCALE

DRAWN BY

AP

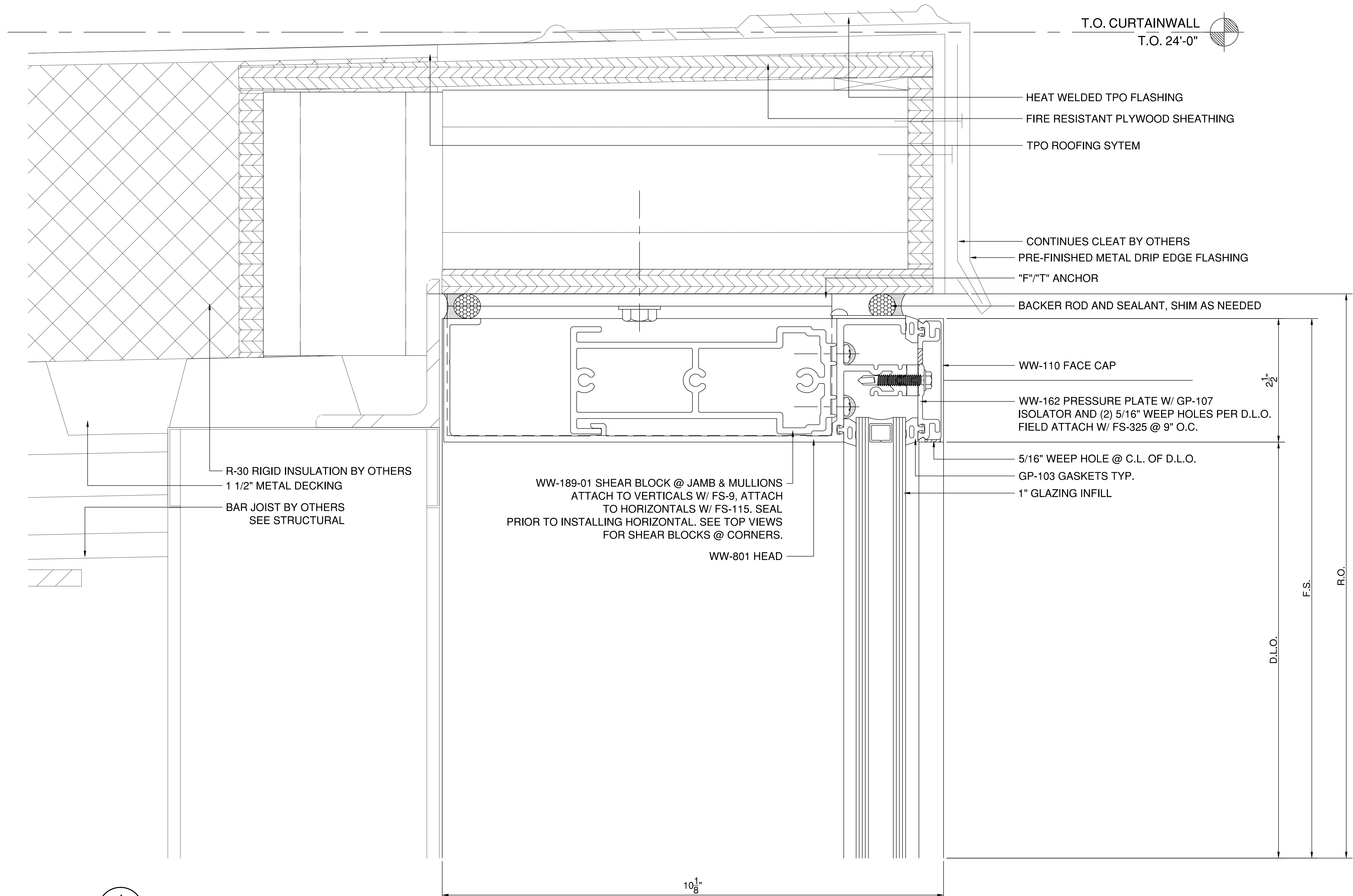
CHECKED BY

SHEET DESCRIPTION

ELEVATION

SHEET

703



1 CURTAIN WALL AT ROOF
703 1 FT. = 1 FT.
ARCH. REF.: A506/6

**LAKE KEOWEE
FORD**

10815 CLEMSON BLVD.
SENECA, SC 29678



WWW.CLEARDRAFTINGSOLUTIONS.COM

GLAZING CONTRACTOR

ARCHITECT

THIS DRAWING AND THE INFORMATION ON THIS PAGE ARE PROPERTY OF CLEAR DRAFTING SOLUTIONS AND ITS CLIENT. REPRODUCTION AND DISTRIBUTION OF THIS INFORMATION IS PROHIBITED WITHOUT WRITTEN CONSENT

ISSUE/REVISION

PROJECT NAME

LAKE KEOWEE FORD

FILE NAME

lake_keowee_ford.dwg

SCALE

DRAWN BY

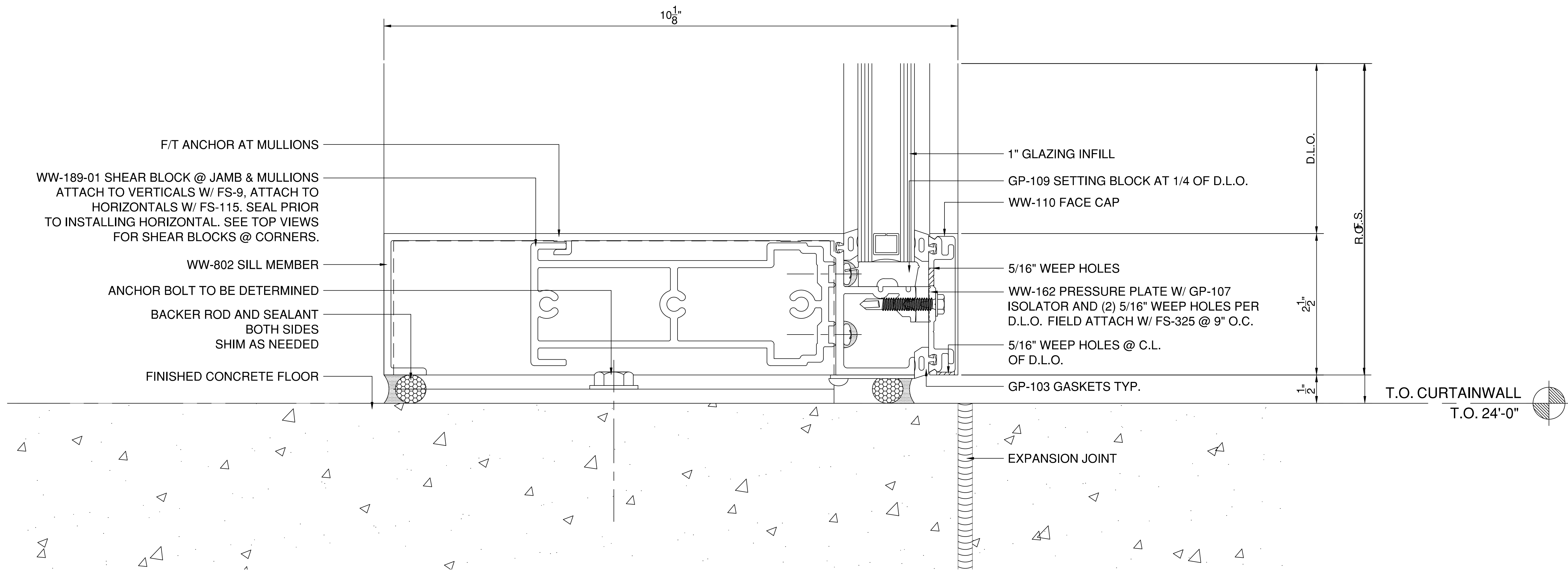
AP

CHECKED BY

SHEET DESCRIPTION
ELEVATION

SHEET

704



1
704 CURTAIN WALL AT SILL
1 FT. = 1 FT.
ARCH. REF.: A506/1

**LAKE KEOWEE
FORD**

10815 CLEMSON BLVD.
SENECA, SC 29678



WWW.CLEARDRAFTINGSOLUTIONS.COM

GLAZING CONTRACTOR

ARCHITECT

THIS DRAWING AND THE INFORMATION ON THIS PAGE ARE PROPERTY OF CLEAR DRAFTING SOLUTIONS AND ITS CLIENT. REPRODUCTION AND DISTRIBUTION OF THIS INFORMATION IS PROHIBITED WITHOUT WRITTEN CONSENT

ISSUE/REVISION

PROJECT NAME

LAKE KEOWEE FORD

FILE NAME

lake_keowee_ford.dwg

SCALE

DRAWN BY

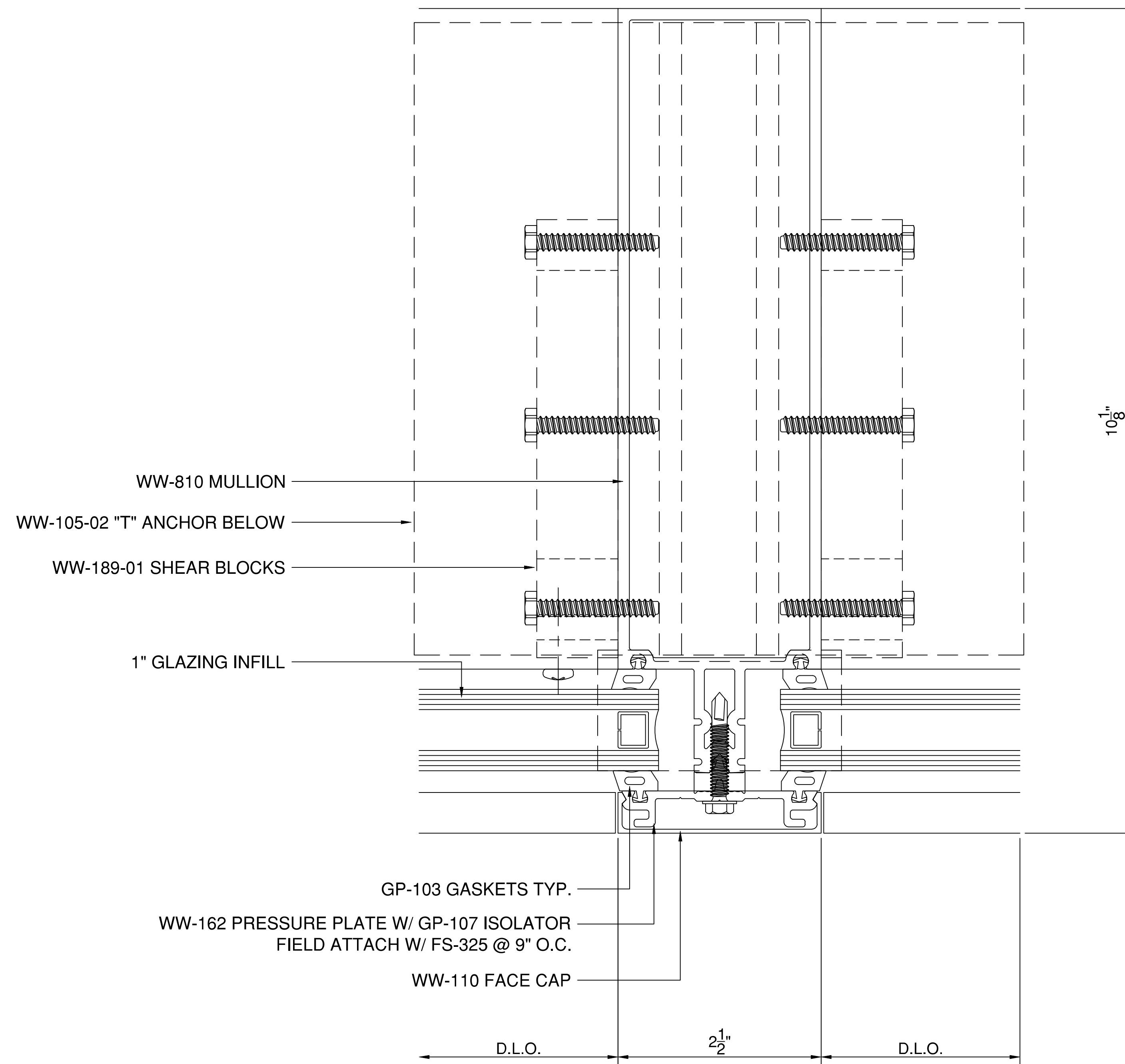
AP

CHECKED BY

SHEET DESCRIPTION
ELEVATION

SHEET

705



1 CURTAIN WALL MULLION DETAIL
705 1 FT. = 1 FT.
ARCH. REF.: NA

**LAKE KEOWEE
FORD**

10815 CLEMSON BLVD.
SENECA, SC 29678



WWW.CLEARDRAFTINGSOLUTIONS.COM

GLAZING CONTRACTOR

ARCHITECT

THIS DRAWING AND THE INFORMATION ON THIS PAGE ARE PROPERTY OF CLEAR DRAFTING SOLUTIONS AND ITS CLIENT. REPRODUCTION AND DISTRIBUTION OF THIS INFORMATION IS PROHIBITED WITHOUT WRITTEN CONSENT

ISSUE/REVISION

PROJECT NAME

LAKE KEOWEE FORD

FILE NAME

lake_keowee_ford.dwg

SCALE

DRAWN BY

AP

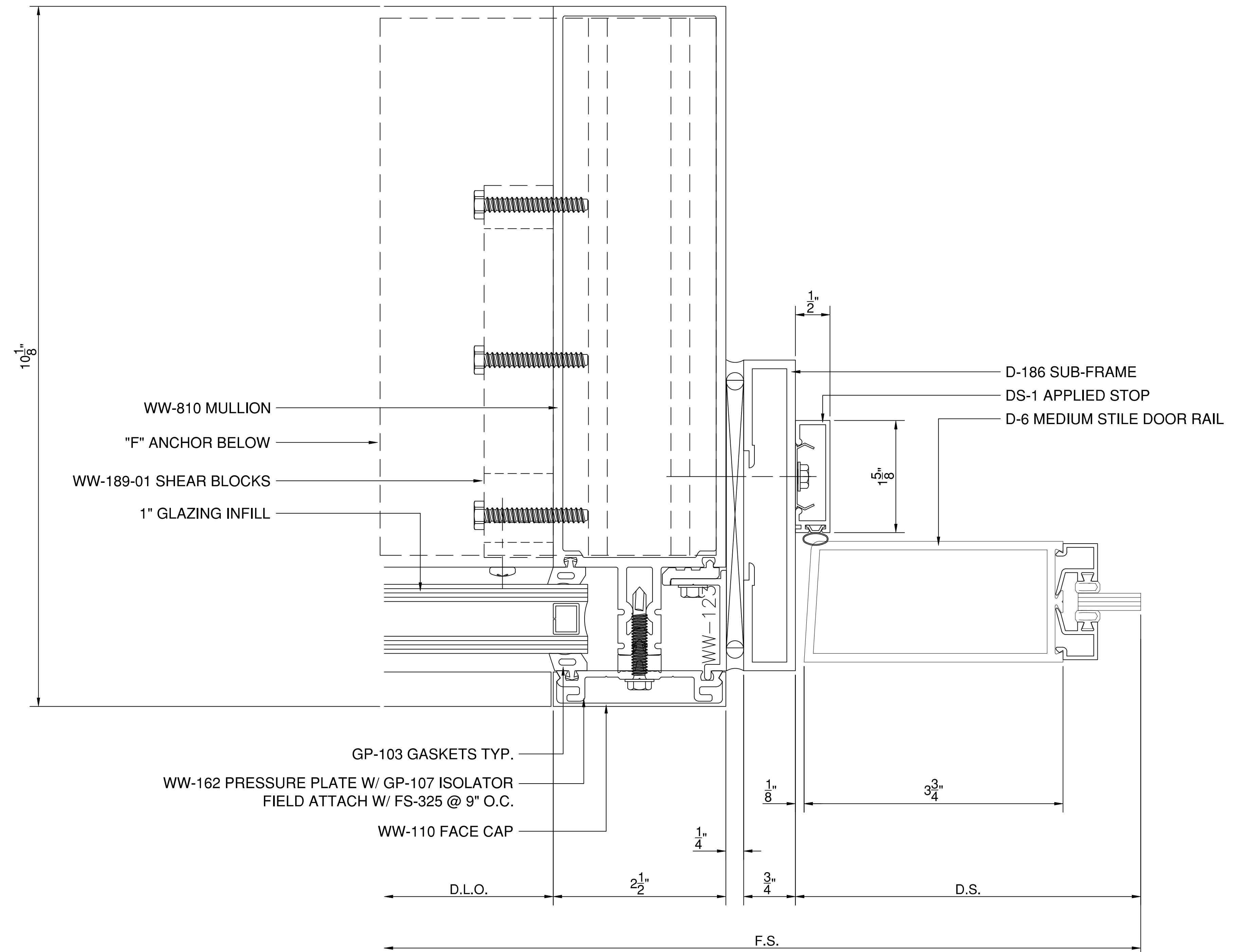
CHECKED BY

SHEET DESCRIPTION

ELEVATION

SHEET

706



1 MULLION AT DOOR JAMB DETAIL
706 1 FT. = 1 FT.
ARCH. REF.: NA

**LAKE KEOWEE
FORD**

10815 CLEMSON BLVD.
SENECA, SC 29678



WWW.CLEARDRAFTINGSOLUTIONS.COM

GLAZING CONTRACTOR

ARCHITECT

THIS DRAWING AND THE INFORMATION ON THIS PAGE ARE PROPERTY OF CLEAR DRAFTING SOLUTIONS AND ITS CLIENT. REPRODUCTION AND DISTRIBUTION OF THIS INFORMATION IS PROHIBITED WITHOUT WRITTEN CONSENT

ISSUE/REVISION

PROJECT NAME

LAKE KEOWEE FORD

FILE NAME

lake_keowee_ford.dwg

SCALE

DRAWN BY

AP

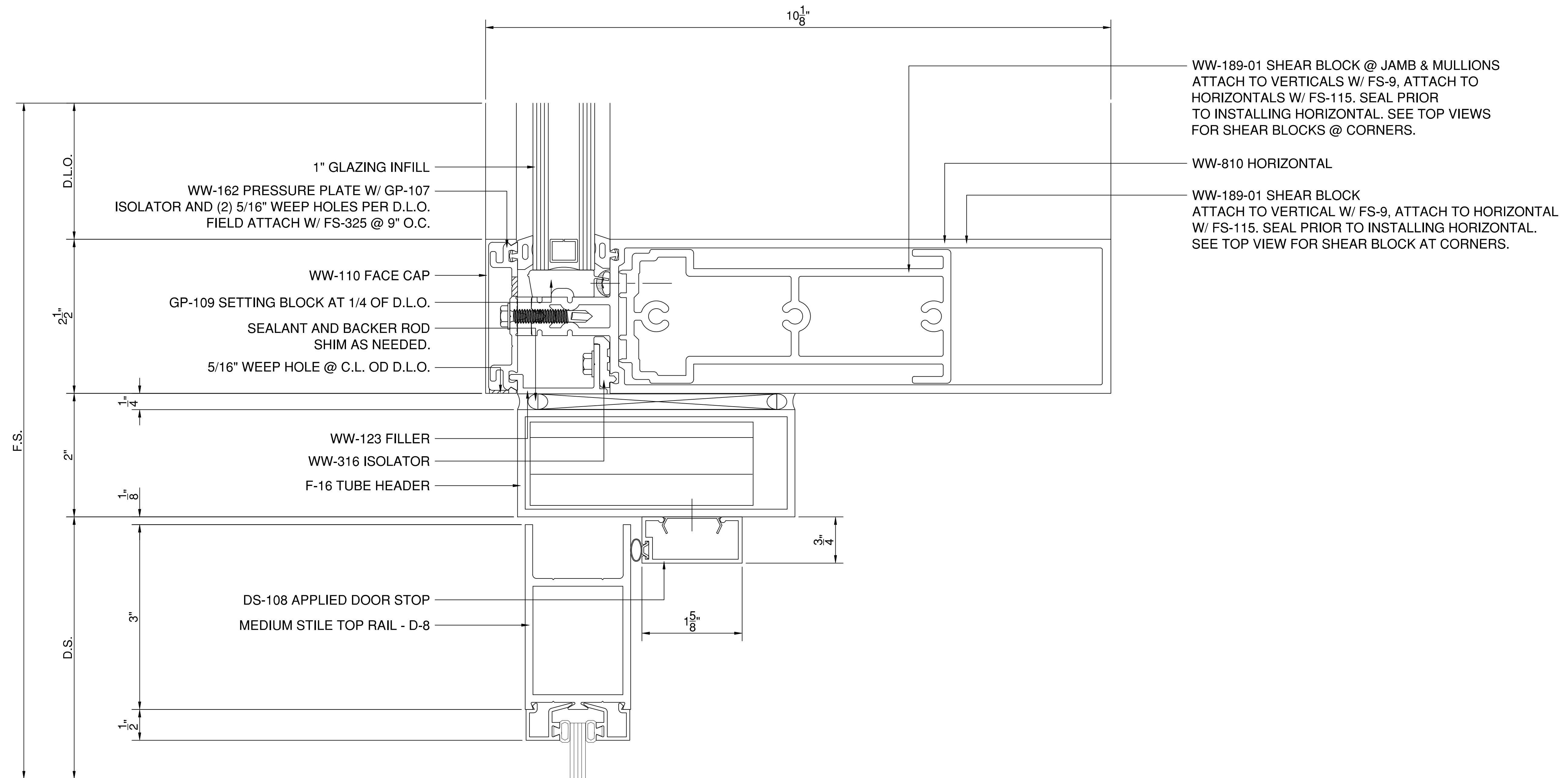
CHECKED BY

SHEET DESCRIPTION

ELEVATION

SHEET

707



1 HORIZONTAL AT DOOR HEAD DETAIL
707 1 FT. = 1 FT.
ARCH. REF.: NA

**LAKE KEOWEE
FORD**

10815 CLEMSON BLVD.
SENECA, SC 29678



WWW.CLEARDRAFTINGSOLUTIONS.COM

GLAZING CONTRACTOR

ARCHITECT

THIS DRAWING AND THE INFORMATION
ON THIS PAGE ARE PROPERTY OF CLEAR
DRAFTING SOLUTIONS AND ITS CLIENT.
REPRODUCTION AND DISTRIBUTION OF
THIS INFORMATION IS PROHIBITED
WITHOUT WRITTEN CONSENT

ISSUE/REVISION

PROJECT NAME

LAKE KEOWEE FORD

FILE NAME

lake_keowee_ford.dwg

SCALE

DRAWN BY

AP

CHECKED BY

SHEET DESCRIPTION

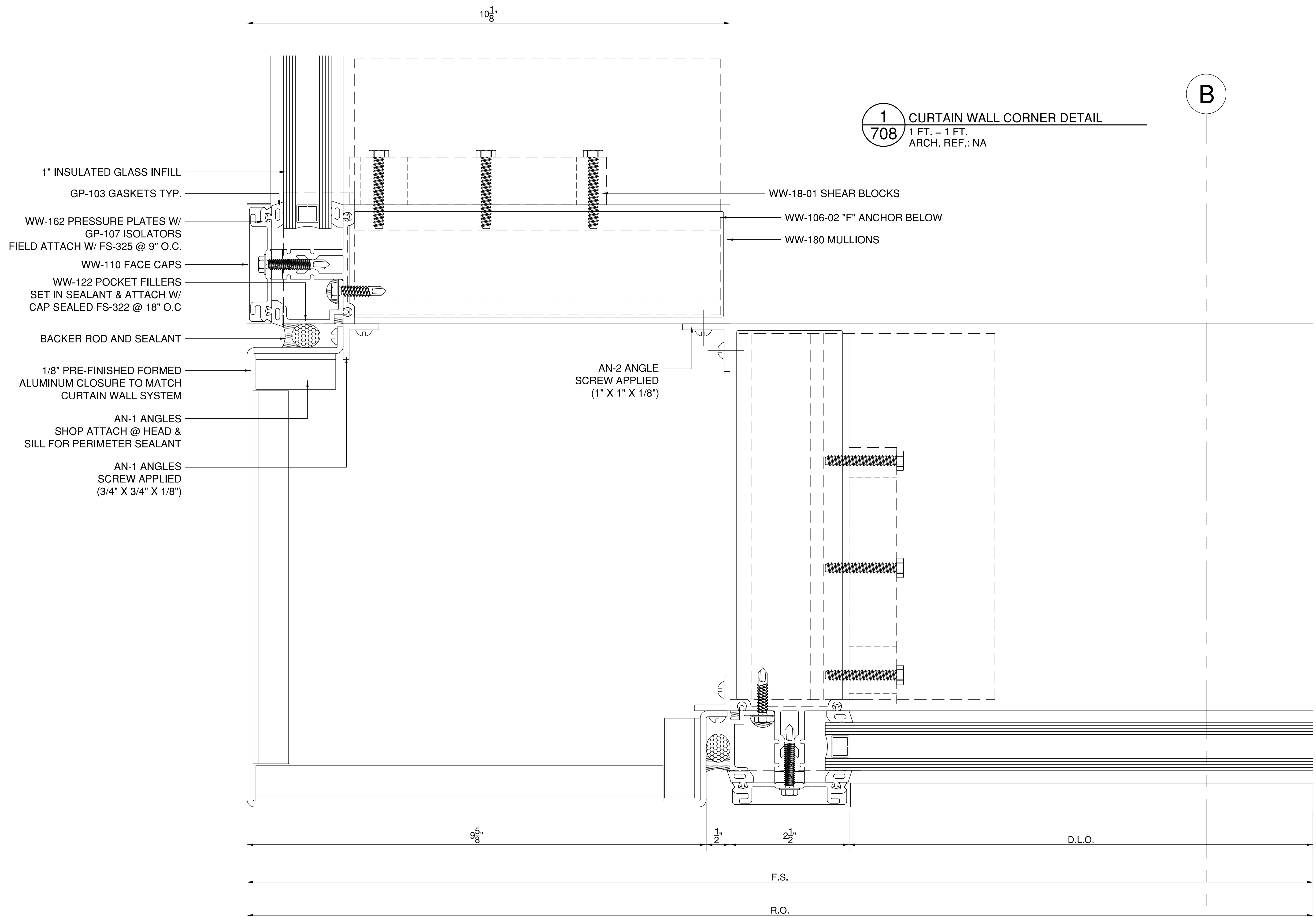
CW DETAILS

SHEET

708

1 CURTAIN WALL CORNER DETAIL
708 1 FT. = 1 FT.
ARCH. REF.: NA

B



**LAKE KEOWEE
FORD**

10815 CLEMSON BLVD.
SENECA, SC 29678



WWW.CLEARDRAFTINGSOLUTIONS.COM

GLAZING CONTRACTOR

ARCHITECT

THIS DRAWING AND THE INFORMATION ON THIS PAGE ARE PROPERTY OF CLEAR DRAFTING SOLUTIONS AND ITS CLIENT. REPRODUCTION AND DISTRIBUTION OF THIS INFORMATION IS PROHIBITED WITHOUT WRITTEN CONSENT

ISSUE/REVISION

PROJECT NAME

LAKE KEOWEE FORD

FILE NAME

lake_keowee_ford.dwg

SCALE

DRAWN BY

AP

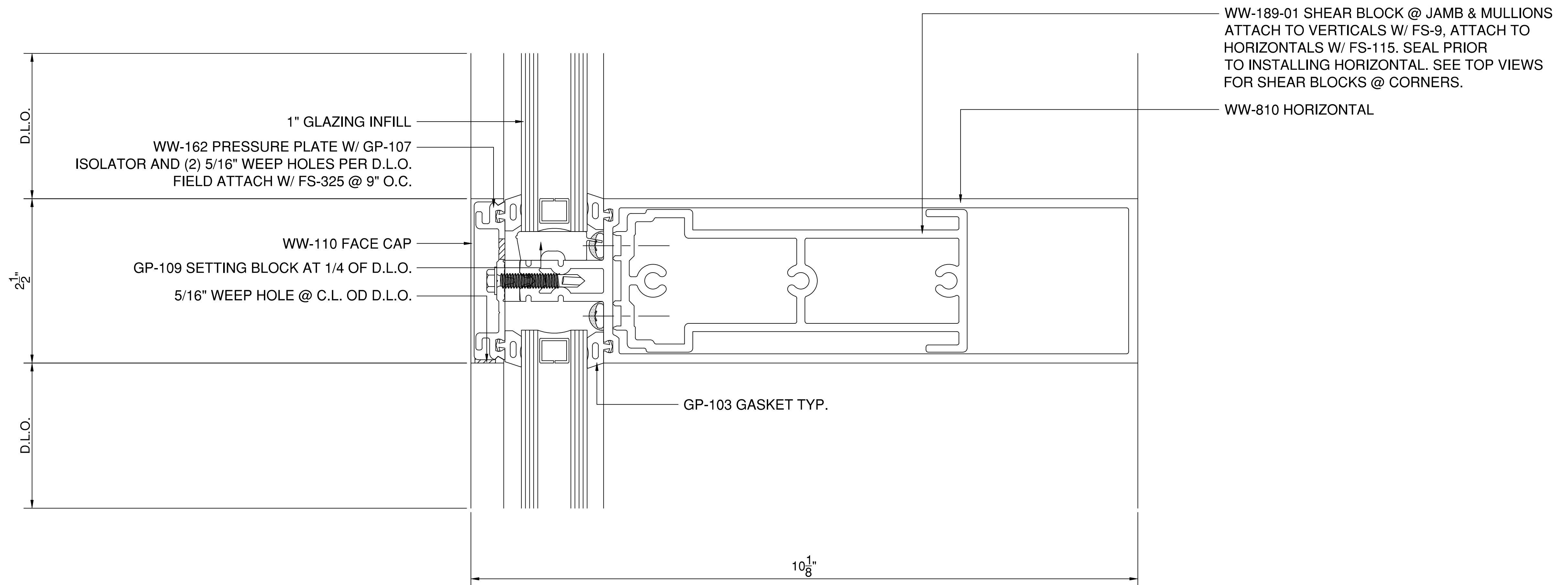
CHECKED BY

SHEET DESCRIPTION

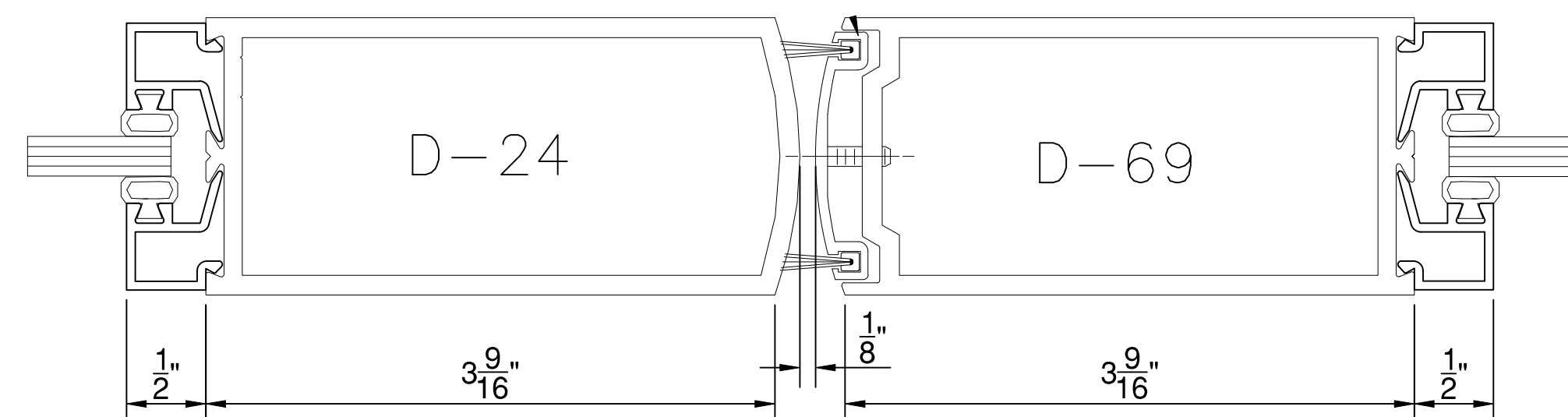
CW DETAILS

SHEET

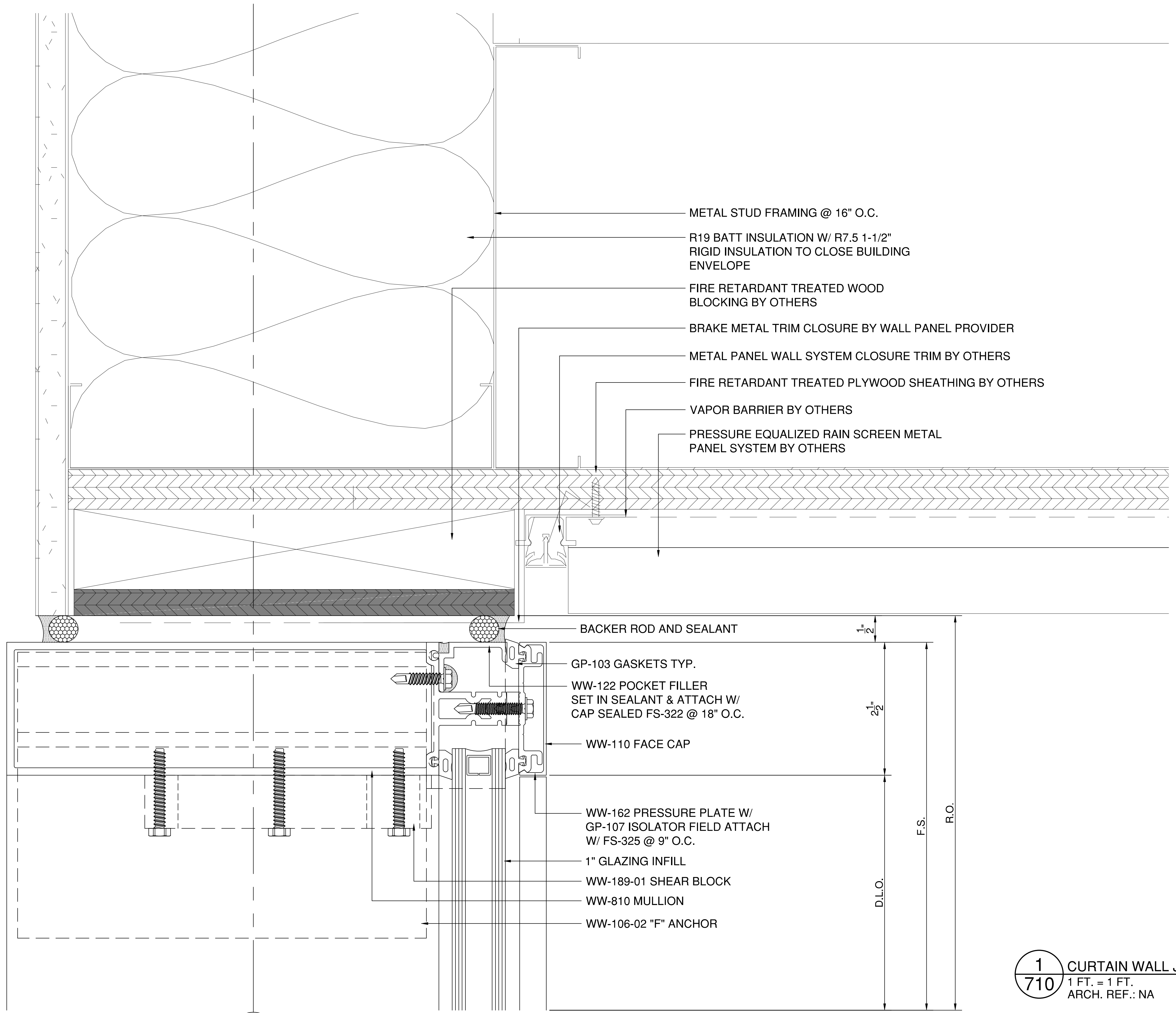
709



2 TYP. HORIZONTAL DETAIL
709 1 FT. = 1 FT.
ARCH. REF.: NA



1 DOOR MEETING DETAIL
709 1 FT. = 1 FT.
ARCH. REF.: NA



- METAL STUD FRAMING @ 16" O.C.
- R19 BATT INSULATION W/ R7.5 1-1/2" RIGID INSULATION TO CLOSE BUILDING ENVELOPE
- FIRE RETARDANT TREATED WOOD BLOCKING BY OTHERS
- BRAKE METAL TRIM CLOSURE BY WALL PANEL PROVIDER
- METAL PANEL WALL SYSTEM CLOSURE TRIM BY OTHERS
- FIRE RETARDANT TREATED PLYWOOD SHEATHING BY OTHERS
- VAPOR BARRIER BY OTHERS
- PRESSURE EQUALIZED RAIN SCREEN METAL PANEL SYSTEM BY OTHERS

- BACKER ROD AND SEALANT
- GP-103 GASKETS TYP.
- WW-122 POCKET FILLER SET IN SEALANT & ATTACH W/ CAP SEALED FS-322 @ 18" O.C.
- WW-110 FACE CAP
- WW-162 PRESSURE PLATE W/ GP-107 ISOLATOR FIELD ATTACH W/ FS-325 @ 9" O.C.
- 1" GLAZING INFILL
- WW-189-01 SHEAR BLOCK
- WW-810 MULLION
- WW-106-02 "F" ANCHOR

1
710 CURTAIN WALL JAMB DETAIL
1 FT. = 1 FT.
ARCH. REF.: NA

LAKE KEOWEE FORD

10815 CLEMSON BLVD.
SENECA, SC 29678



WWW.CLEARDRAFTINGSOLUTIONS.COM

GLAZING CONTRACTOR

ARCHITECT

THIS DRAWING AND THE INFORMATION ON THIS PAGE ARE PROPERTY OF CLEAR DRAFTING SOLUTIONS AND ITS CLIENT. REPRODUCTION AND DISTRIBUTION OF THIS INFORMATION IS PROHIBITED WITHOUT WRITTEN CONSENT

ISSUE/REVISION

PROJECT NAME
LAKE KEOWEE FORD

FILE NAME
lake_keowee_ford.dwg

SCALE

DRAWN BY
AP

CHECKED BY

SHEET DESCRIPTION
CW DETAILS

SHEET

710

**LAKE KEOWEE
FORD**

10815 CLEMSON BLVD.
SENECA, SC 29678



WWW.CLEARDRAFTINGSOLUTIONS.COM

GLAZING CONTRACTOR

ARCHITECT

THIS DRAWING AND THE INFORMATION ON THIS PAGE ARE PROPERTY OF CLEAR DRAFTING SOLUTIONS AND ITS CLIENT. REPRODUCTION AND DISTRIBUTION OF THIS INFORMATION IS PROHIBITED WITHOUT WRITTEN CONSENT

ISSUE/REVISION

PROJECT NAME

LAKE KEOWEE FORD

FILE NAME

lake_keowee_ford.dwg

SCALE

DRAWN BY

AP

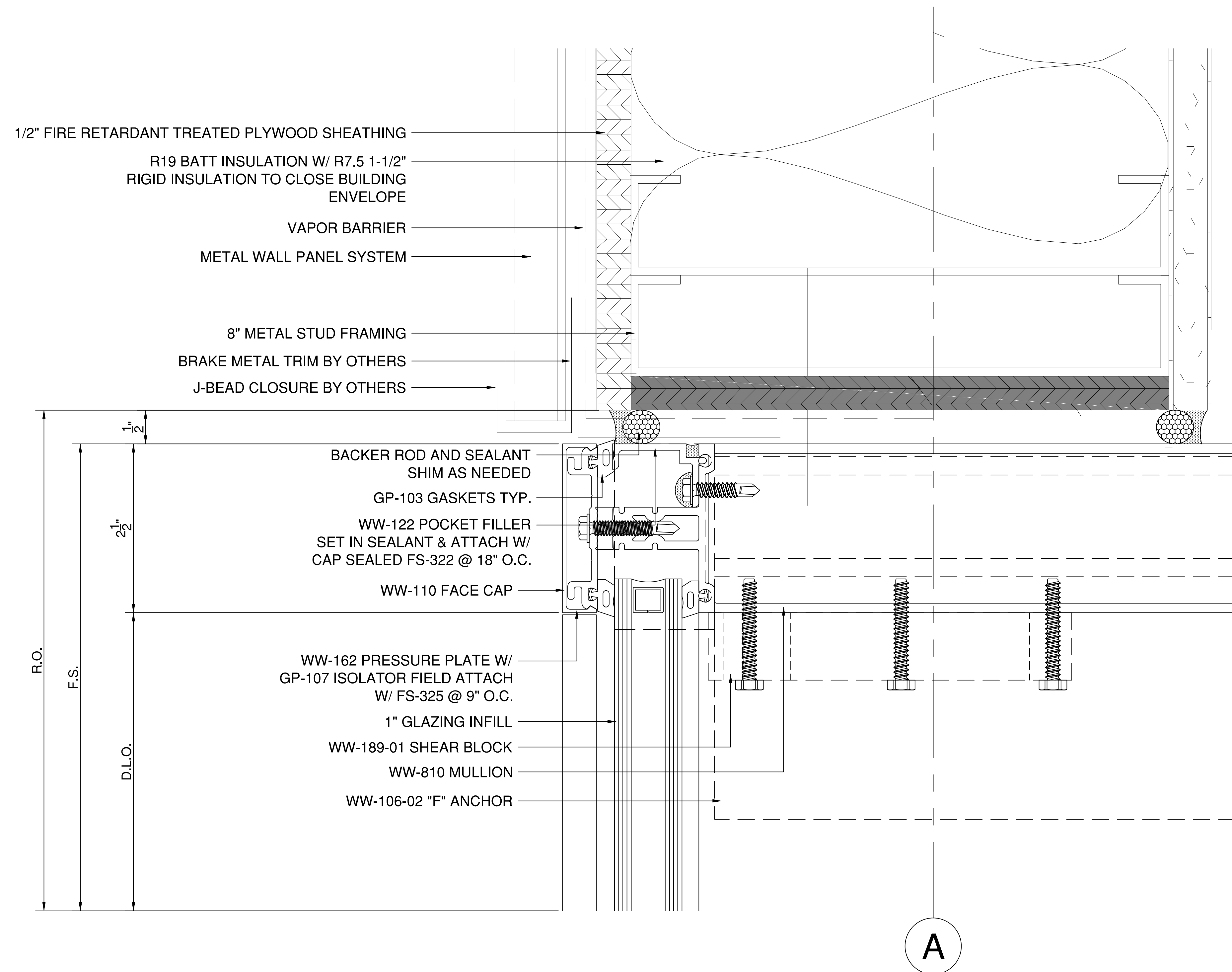
CHECKED BY

SHEET DESCRIPTION

CW DETAILS

SHEET

711



1 CURTAIN WALL JAMB DETAIL
711 1 FT. = 1 FT.
ARCH. REF.: NA

**LAKE KEOWEE
FORD**

10815 CLEMSON BLVD.
SENECA, SC 29678



WWW.CLEARDRAFTINGSOLUTIONS.COM

GLAZING CONTRACTOR

ARCHITECT

THIS DRAWING AND THE INFORMATION ON THIS PAGE ARE PROPERTY OF CLEAR DRAFTING SOLUTIONS AND ITS CLIENT. REPRODUCTION AND DISTRIBUTION OF THIS INFORMATION IS PROHIBITED WITHOUT WRITTEN CONSENT

ISSUE/REVISION

PROJECT NAME

LAKE KEOWEE FORD

FILE NAME

lake_keowee_ford.dwg

SCALE

DRAWN BY

AP

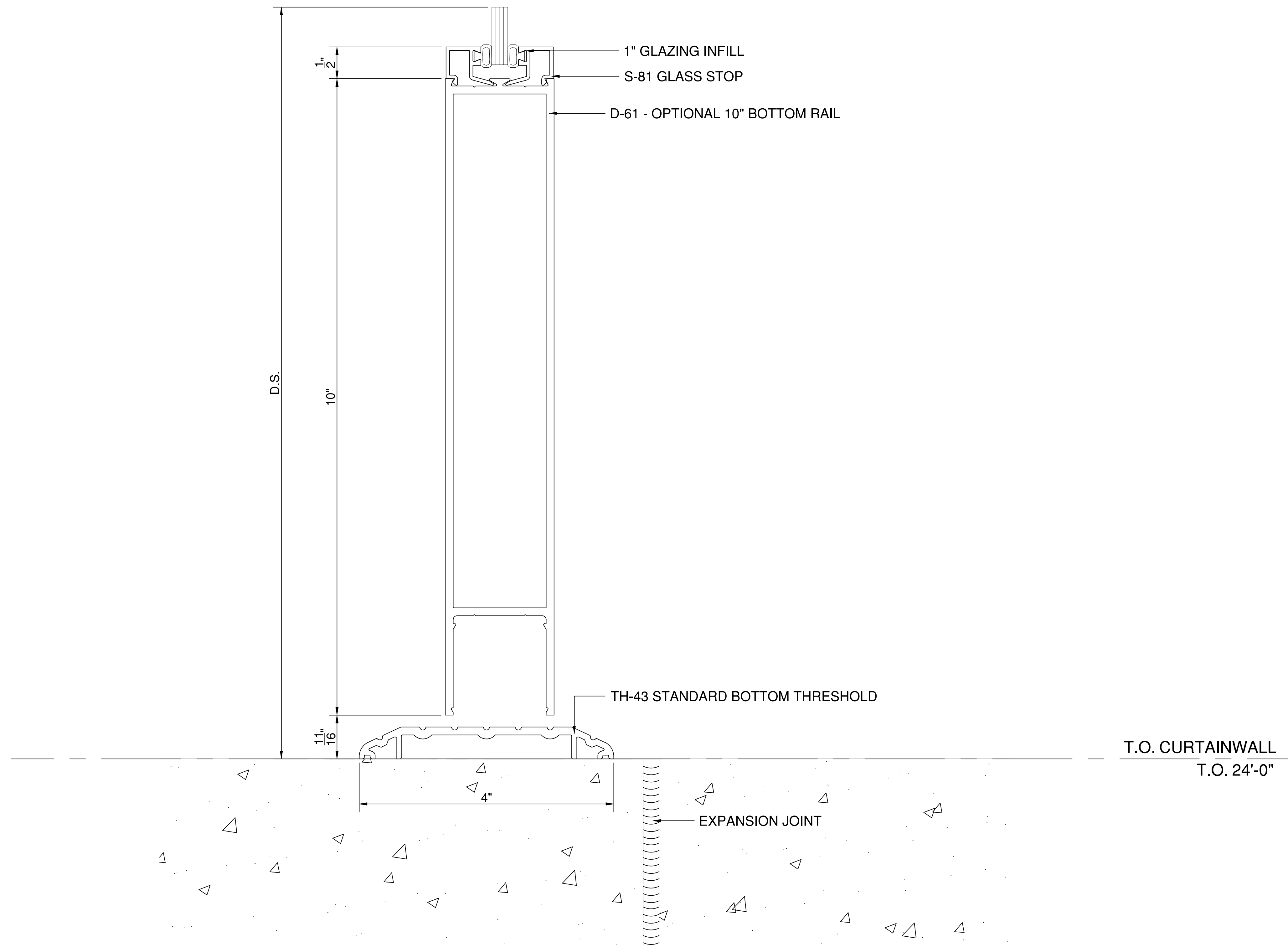
CHECKED BY

SHEET DESCRIPTION

CW DETAILS

SHEET

712



1 BOTTOM RAIL DETAIL
712 1 FT. = 1 FT.
ARCH. REF.: NA

**LAKE KEOWEE
FORD**

10815 CLEMSON BLVD.
SENECA, SC 29678



WWW.CLEARDRAFTINGSOLUTIONS.COM

GLAZING CONTRACTOR

ARCHITECT

THIS DRAWING AND THE INFORMATION ON THIS PAGE ARE PROPERTY OF CLEAR DRAFTING SOLUTIONS AND ITS CLIENT. REPRODUCTION AND DISTRIBUTION OF THIS INFORMATION IS PROHIBITED WITHOUT WRITTEN CONSENT

ISSUE/REVISION

PROJECT NAME

LAKE KEOWEE FORD

FILE NAME

lake_keowee_ford.dwg

SCALE

DRAWN BY

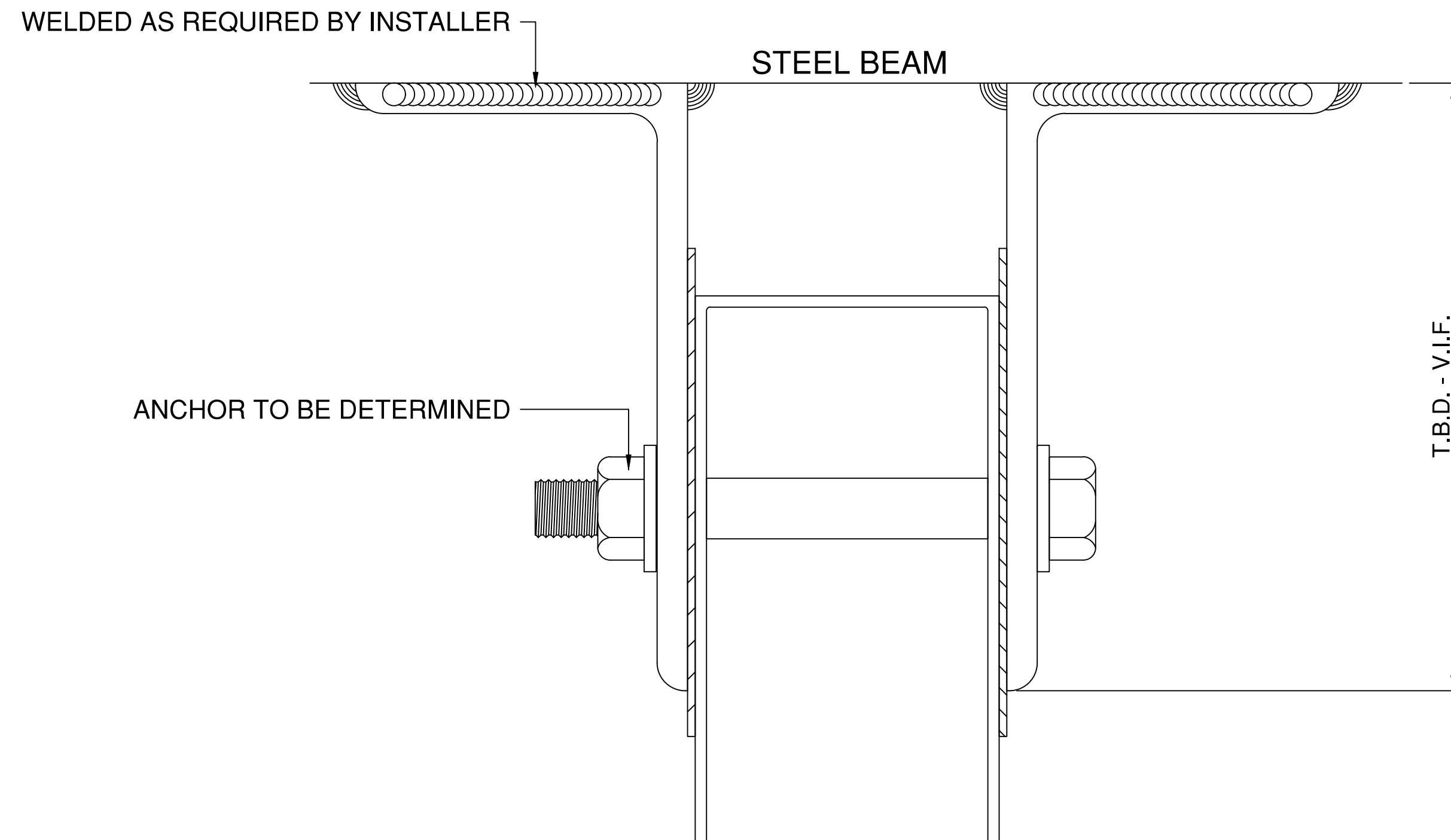
AP

CHECKED BY

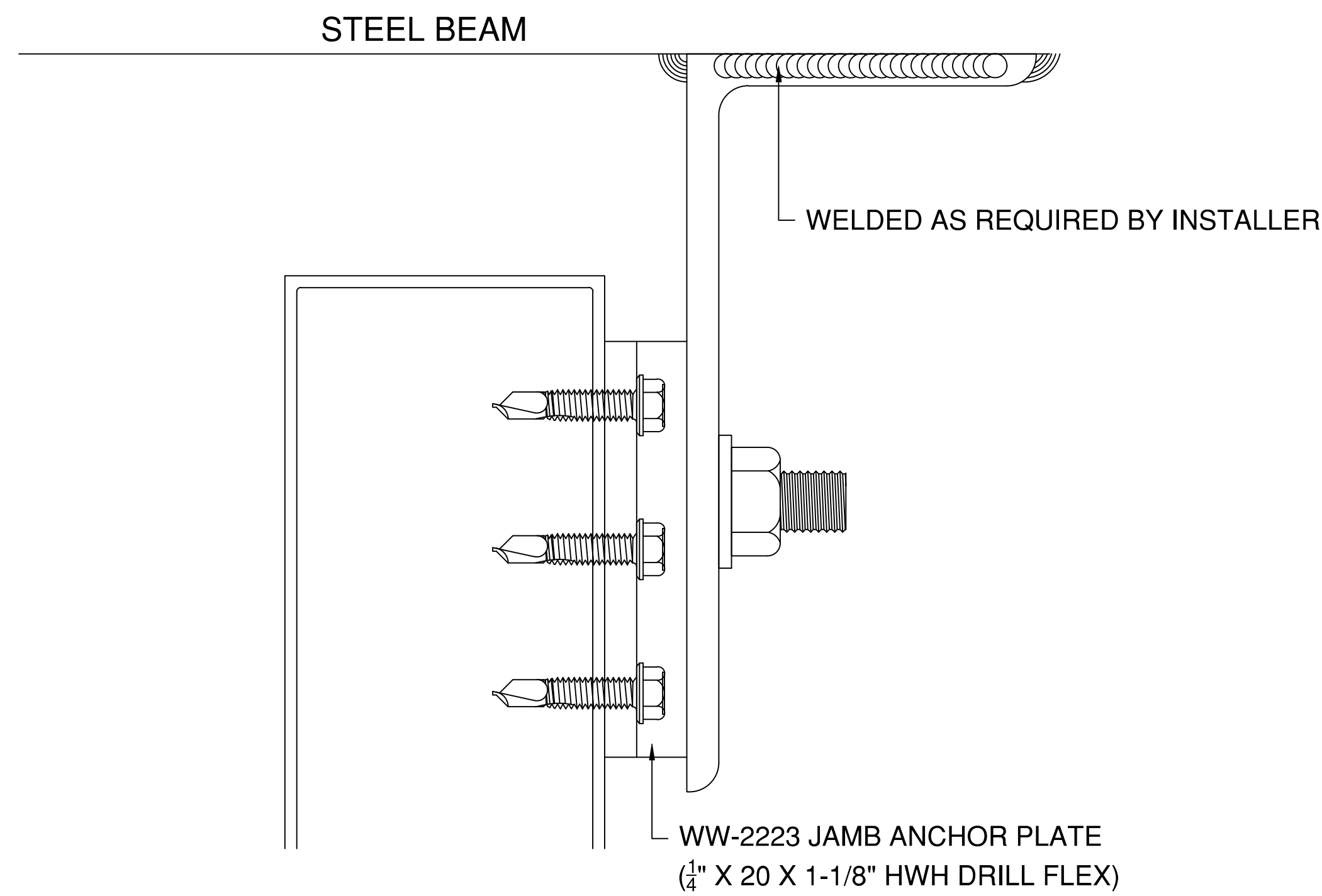
SHEET DESCRIPTION
CW DETAILS

SHEET

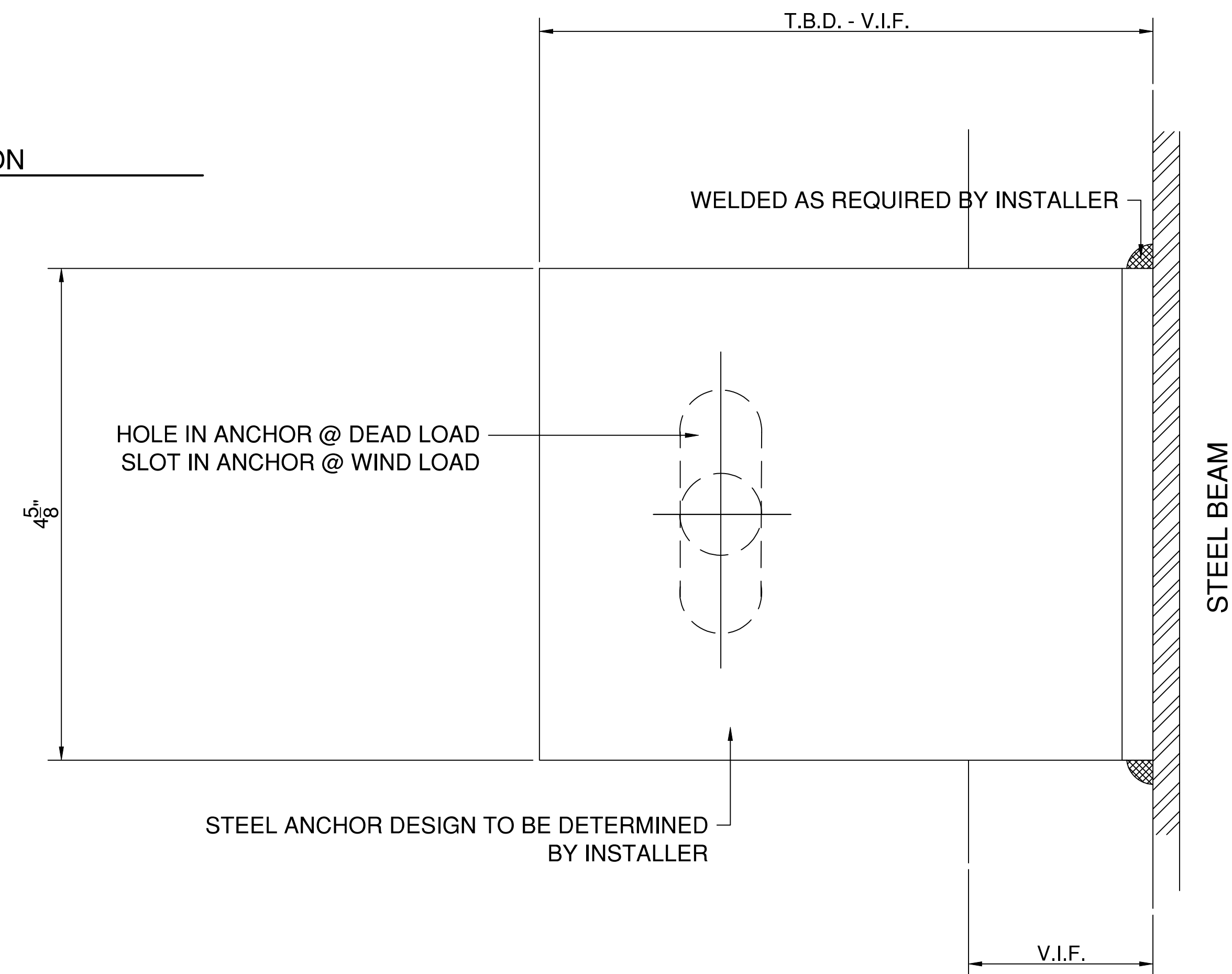
713



3
713 PLAN VIEW - INT. MULLION
1 FT. = 1 FT.
ARCH. REF.: NA



2
713 PLAN VIEW - JAMB ANCHOR
1 FT. = 1 FT.
ARCH. REF.: NA



1
713 STD. JAMB ANCHOR
1 FT. = 1 FT.
ARCH. REF.: NA

**LAKE KEOWEE
FORD**

10815 CLEMSON BLVD.
SENECA, SC 29678



WWW.CLEARDRAFTINGSOLUTIONS.COM

GLAZING CONTRACTOR

ARCHITECT

THIS DRAWING AND THE INFORMATION ON THIS PAGE ARE PROPERTY OF CLEAR DRAFTING SOLUTIONS AND ITS CLIENT. REPRODUCTION AND DISTRIBUTION OF THIS INFORMATION IS PROHIBITED WITHOUT WRITTEN CONSENT

ISSUE/REVISION

PROJECT NAME

LAKE KEOWEE FORD

FILE NAME

lake_keowee_ford.dwg

SCALE

DRAWN BY

AP

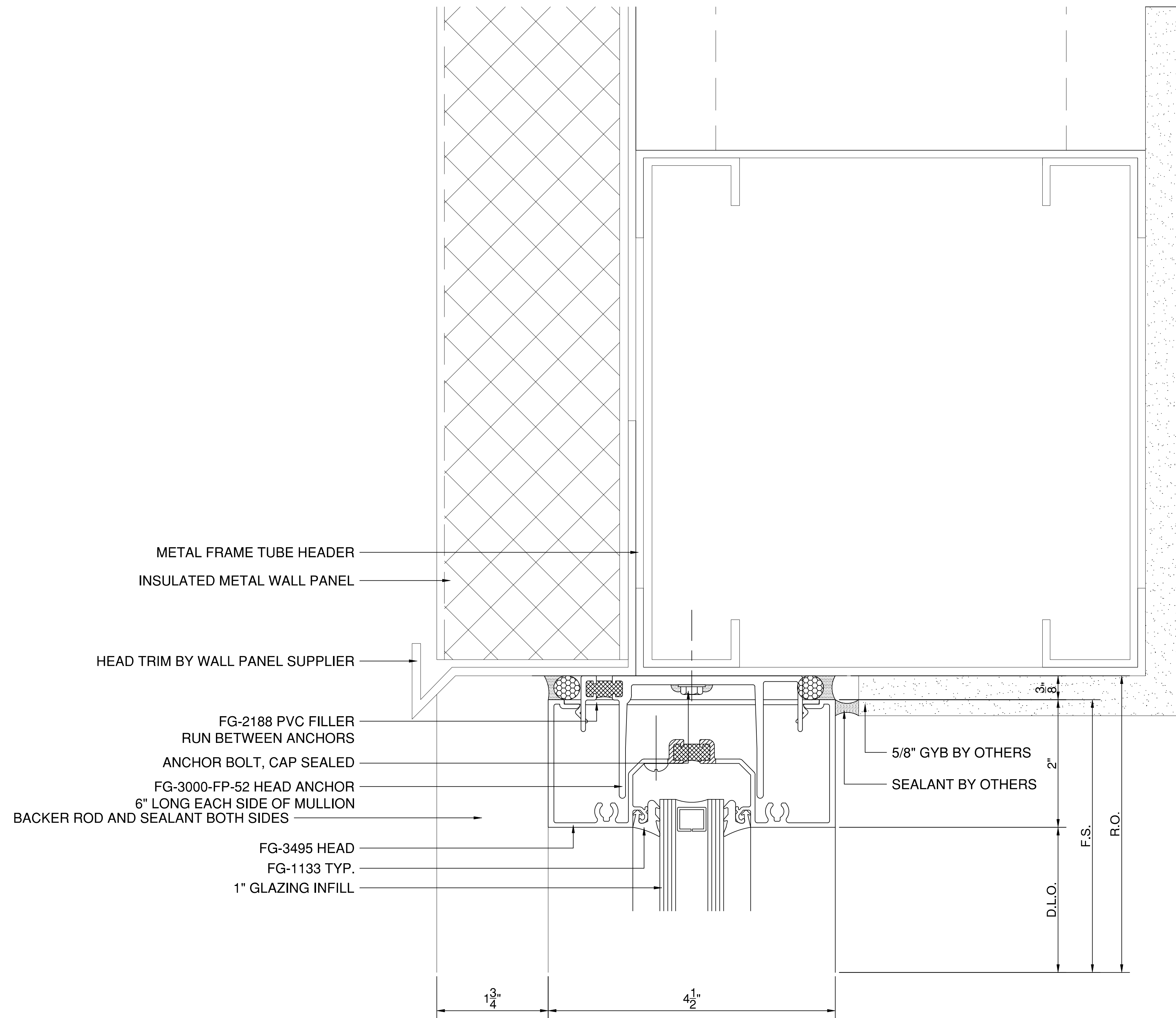
CHECKED BY

SHEET DESCRIPTION

EXT. SF DETAILS

SHEET

801



1 STOREFRONT HEAD DETAIL
801 1 FT. = 1 FT.
ARCH. REF.: A603/4

**LAKE KEOWEE
FORD**

10815 CLEMSON BLVD.
SENECA, SC 29678



WWW.CLEARDRAFTINGSOLUTIONS.COM

GLAZING CONTRACTOR

ARCHITECT

THIS DRAWING AND THE INFORMATION ON THIS PAGE ARE PROPERTY OF CLEAR DRAFTING SOLUTIONS AND ITS CLIENT. REPRODUCTION AND DISTRIBUTION OF THIS INFORMATION IS PROHIBITED WITHOUT WRITTEN CONSENT

ISSUE/REVISION

PROJECT NAME

LAKE KEOWEE FORD

FILE NAME

lake_keowee_ford.dwg

SCALE

DRAWN BY

AP

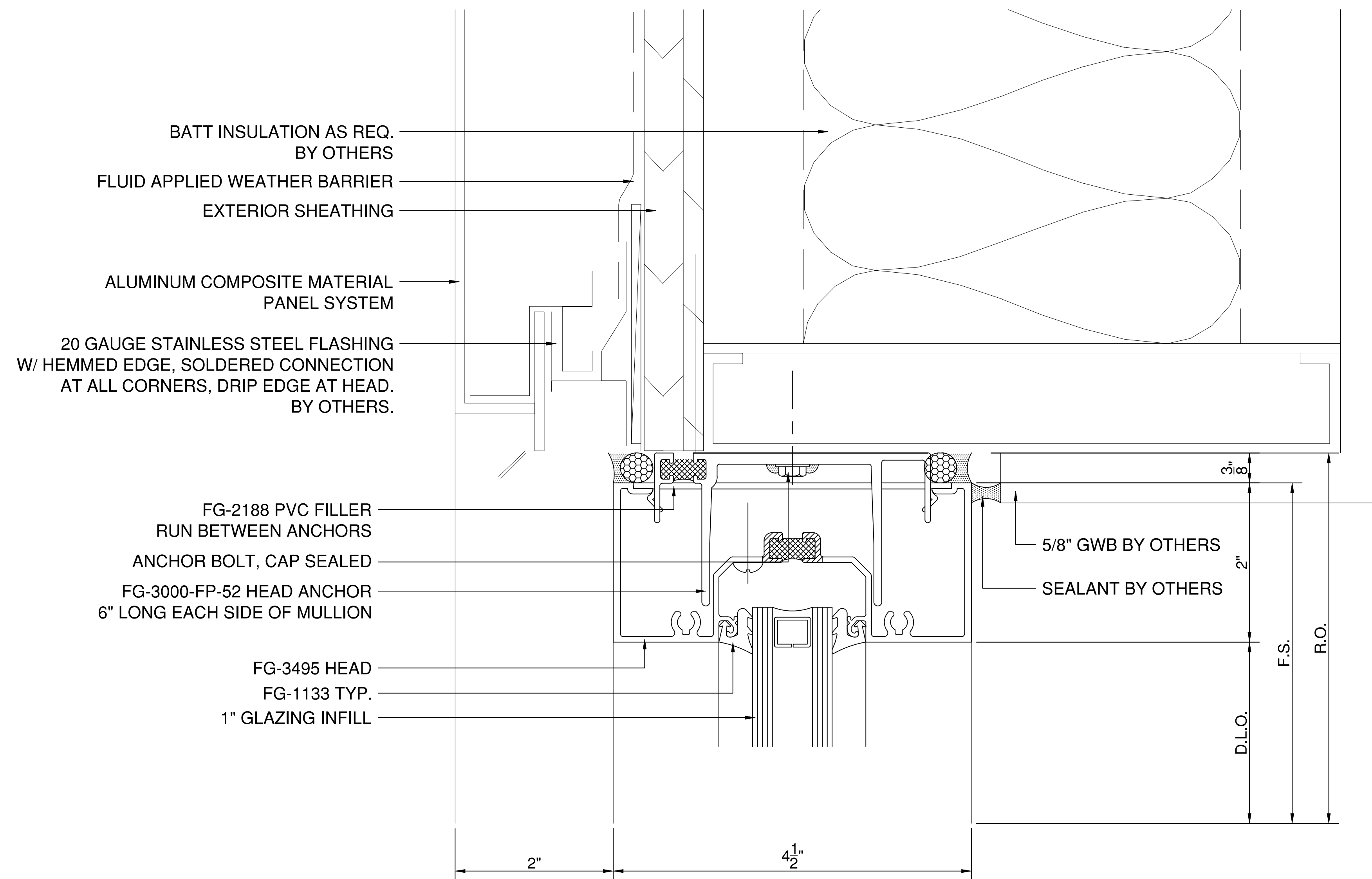
CHECKED BY

SHEET DESCRIPTION

EXT. SF DETAILS

SHEET

802



- BATT INSULATION AS REQ. BY OTHERS
- FLUID APPLIED WEATHER BARRIER
- EXTERIOR SHEATHING
- ALUMINUM COMPOSITE MATERIAL PANEL SYSTEM
- 20 GAUGE STAINLESS STEEL FLASHING W/ HEMMED EDGE, SOLDERED CONNECTION AT ALL CORNERS, DRIP EDGE AT HEAD. BY OTHERS.

- FG-2188 PVC FILLER RUN BETWEEN ANCHORS
- ANCHOR BOLT, CAP SEALED
- FG-3000-FP-52 HEAD ANCHOR 6" LONG EACH SIDE OF MULLION
- FG-3495 HEAD
- FG-1133 TYP.
- 1" GLAZING INFILL

- 5/8" GWB BY OTHERS
- SEALANT BY OTHERS

1 STOREFRONT HEAD DETAIL
802 1 FT. = 1 FT.
ARCH. REF.: A603/1

**LAKE KEOWEE
FORD**

10815 CLEMSON BLVD.
SENECA, SC 29678



WWW.CLEARDRAFTINGSOLUTIONS.COM

GLAZING CONTRACTOR

ARCHITECT

THIS DRAWING AND THE INFORMATION ON THIS PAGE ARE PROPERTY OF CLEAR DRAFTING SOLUTIONS AND ITS CLIENT. REPRODUCTION AND DISTRIBUTION OF THIS INFORMATION IS PROHIBITED WITHOUT WRITTEN CONSENT

ISSUE/REVISION

PROJECT NAME

LAKE KEOWEE FORD

FILE NAME

lake_keowee_ford.dwg

SCALE

DRAWN BY

AP

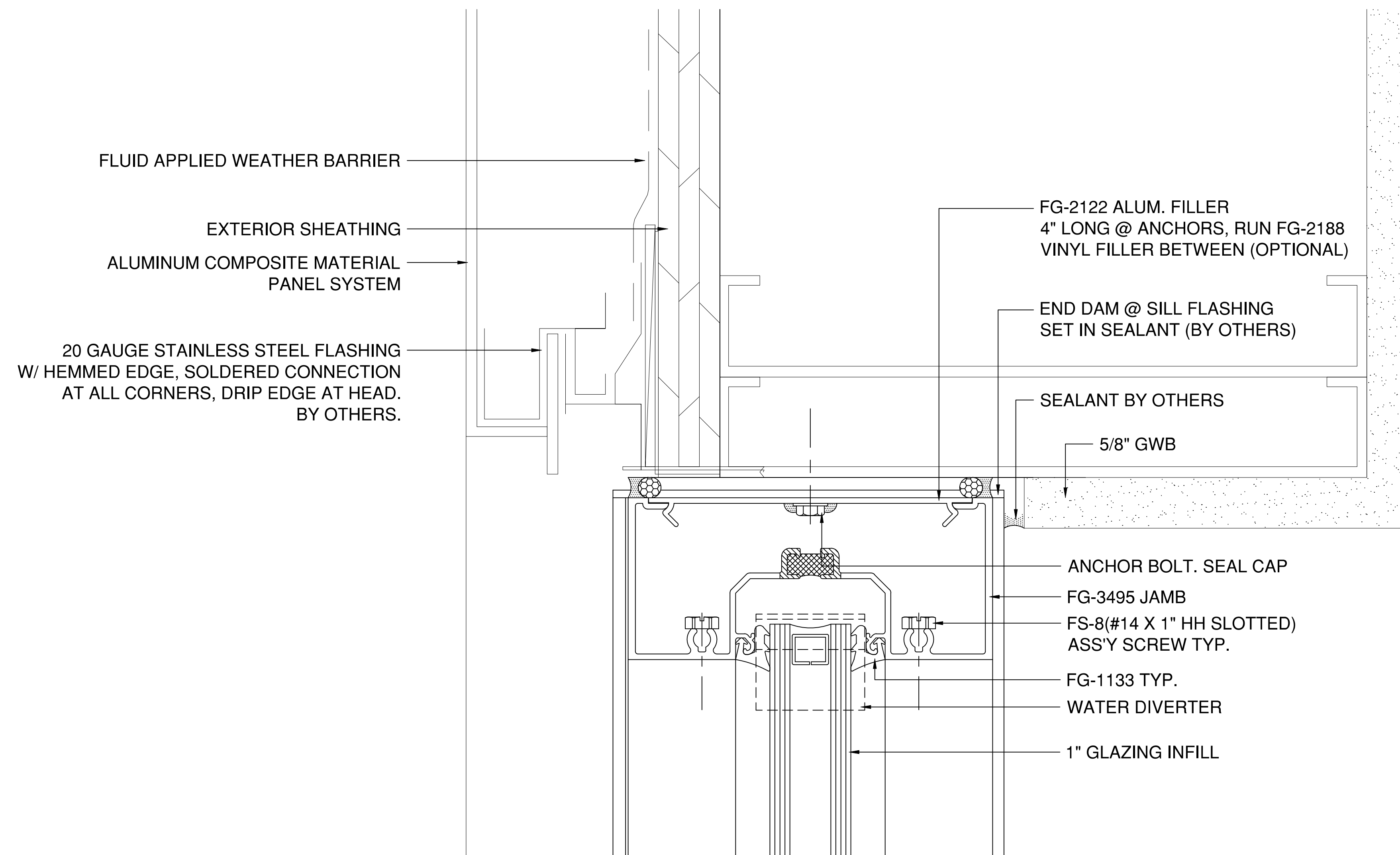
CHECKED BY

SHEET DESCRIPTION

EXT. SF DETAILS

SHEET

803



1 STOREFRONT JAMB DETAIL
803 1 FT. = 1 FT.
ARCH. REF.: A603/9

**LAKE KEOWEE
FORD**

10815 CLEMSON BLVD.
SENECA, SC 29678



WWW.CLEARDRAFTINGSOLUTIONS.COM

GLAZING CONTRACTOR

ARCHITECT

THIS DRAWING AND THE INFORMATION ON THIS PAGE ARE PROPERTY OF CLEAR DRAFTING SOLUTIONS AND ITS CLIENT. REPRODUCTION AND DISTRIBUTION OF THIS INFORMATION IS PROHIBITED WITHOUT WRITTEN CONSENT

ISSUE/REVISION

PROJECT NAME

LAKE KEOWEE FORD

FILE NAME

lake_keowee_ford.dwg

SCALE

DRAWN BY

AP

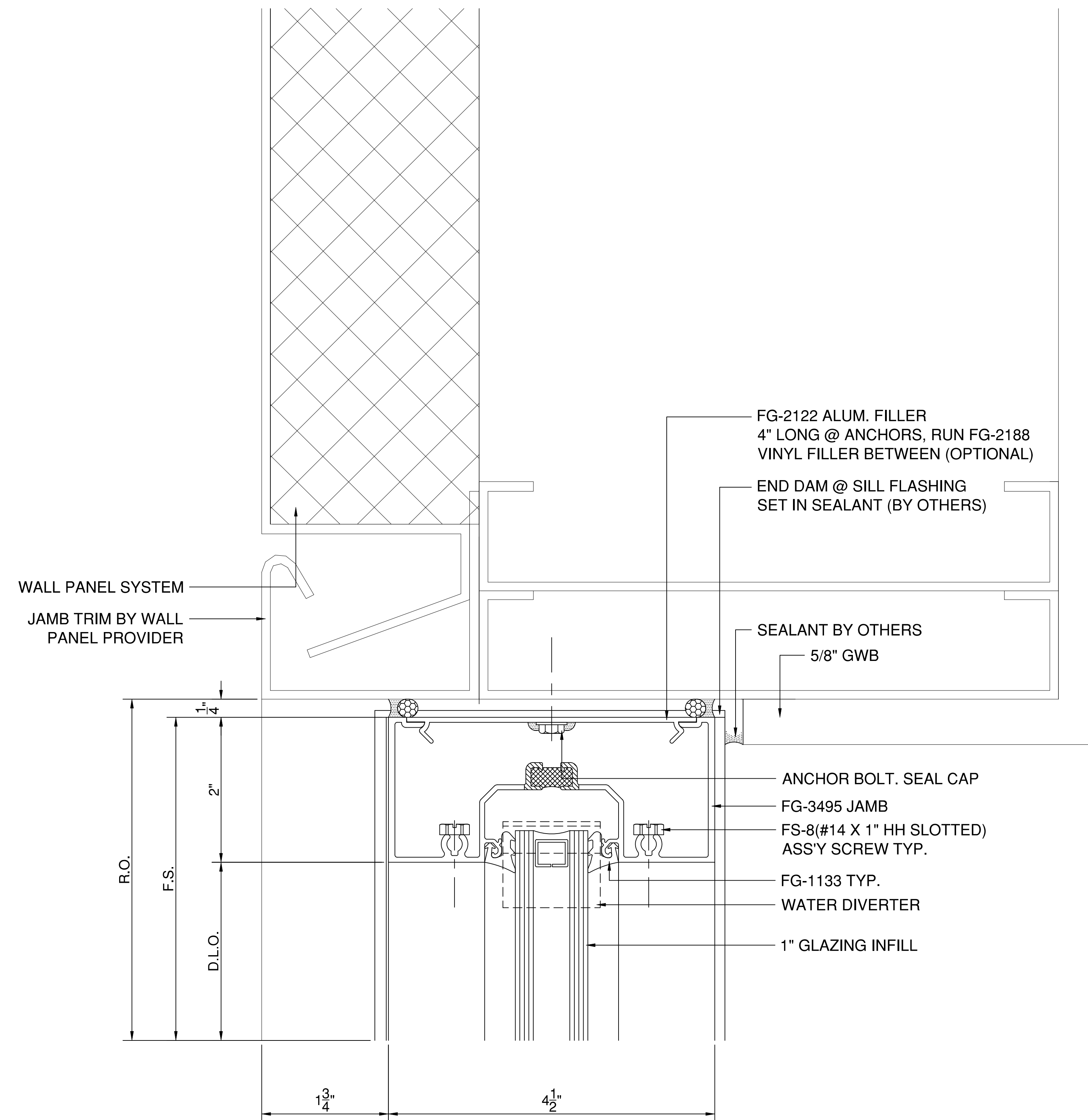
CHECKED BY

SHEET DESCRIPTION

EXT. SF DETAILS

SHEET

804



1 STOREFRONT JAMB DETAIL
804 1 FT. = 1 FT.
ARCH. REF.: A603/13

**LAKE KEOWEE
FORD**

10815 CLEMSON BLVD.
SENECA, SC 29678



WWW.CLEARDRAFTINGSOLUTIONS.COM

GLAZING CONTRACTOR

ARCHITECT

THIS DRAWING AND THE INFORMATION ON THIS PAGE ARE PROPERTY OF CLEAR DRAFTING SOLUTIONS AND ITS CLIENT. REPRODUCTION AND DISTRIBUTION OF THIS INFORMATION IS PROHIBITED WITHOUT WRITTEN CONSENT

ISSUE/REVISION

PROJECT NAME

LAKE KEOWEE FORD

FILE NAME

lake_keowee_ford.dwg

SCALE

DRAWN BY

AP

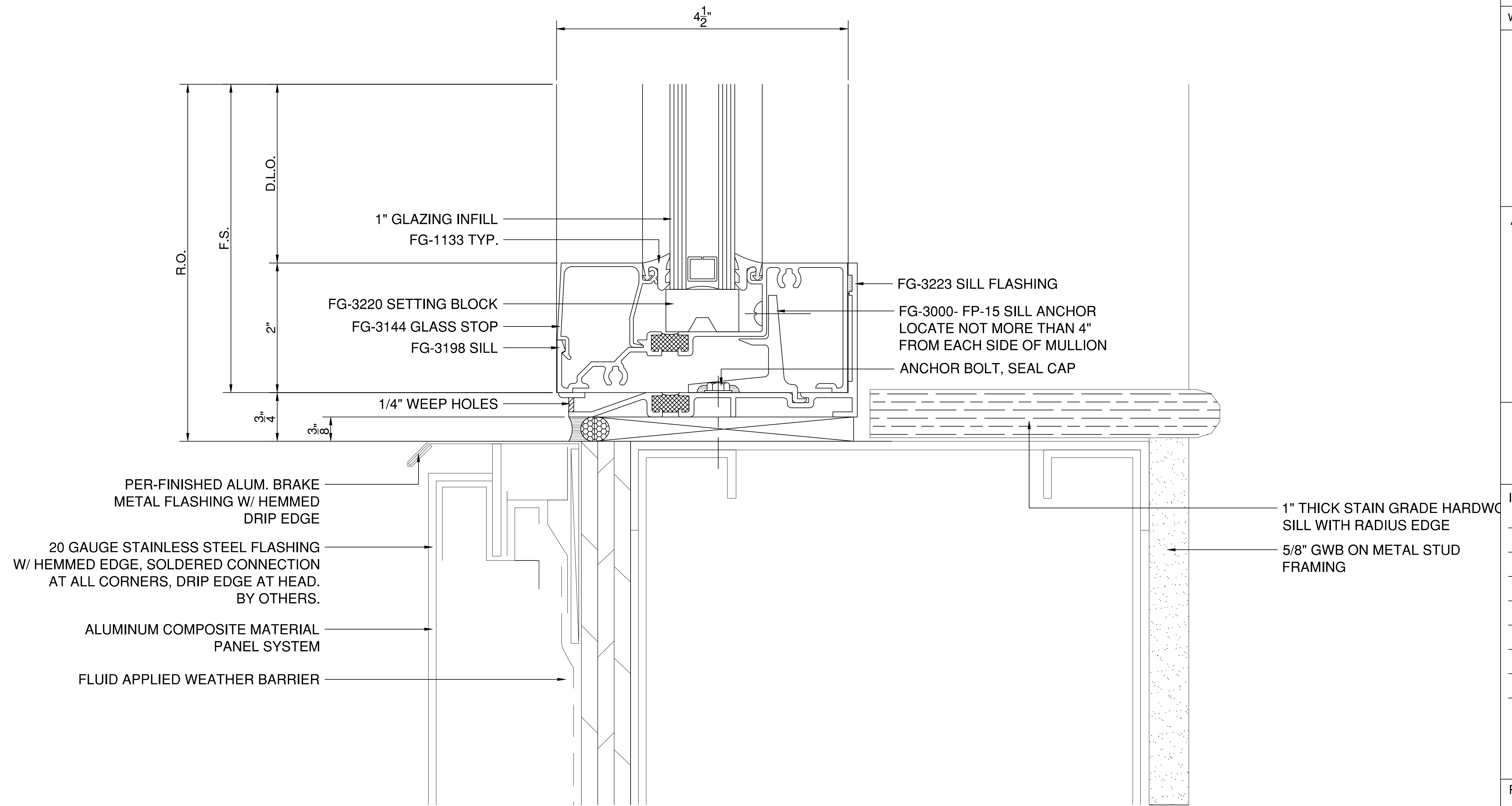
CHECKED BY

SHEET DESCRIPTION

EXT. SF DETAILS

SHEET

805



1 STOREFRONT SILL DETAIL
805 1 FT. = 1 FT.
ARCH. REF.: A603/17

**LAKE KEOWEE
FORD**

10815 CLEMSON BLVD.
SENECA, SC 29678



WWW.CLEARDRAFTINGSOLUTIONS.COM

GLAZING CONTRACTOR

ARCHITECT

THIS DRAWING AND THE INFORMATION ON THIS PAGE ARE PROPERTY OF CLEAR DRAFTING SOLUTIONS AND ITS CLIENT. REPRODUCTION AND DISTRIBUTION OF THIS INFORMATION IS PROHIBITED WITHOUT WRITTEN CONSENT

ISSUE/REVISION

PROJECT NAME

LAKE KEOWEE FORD

FILE NAME

lake_keowee_ford.dwg

SCALE

DRAWN BY

AP

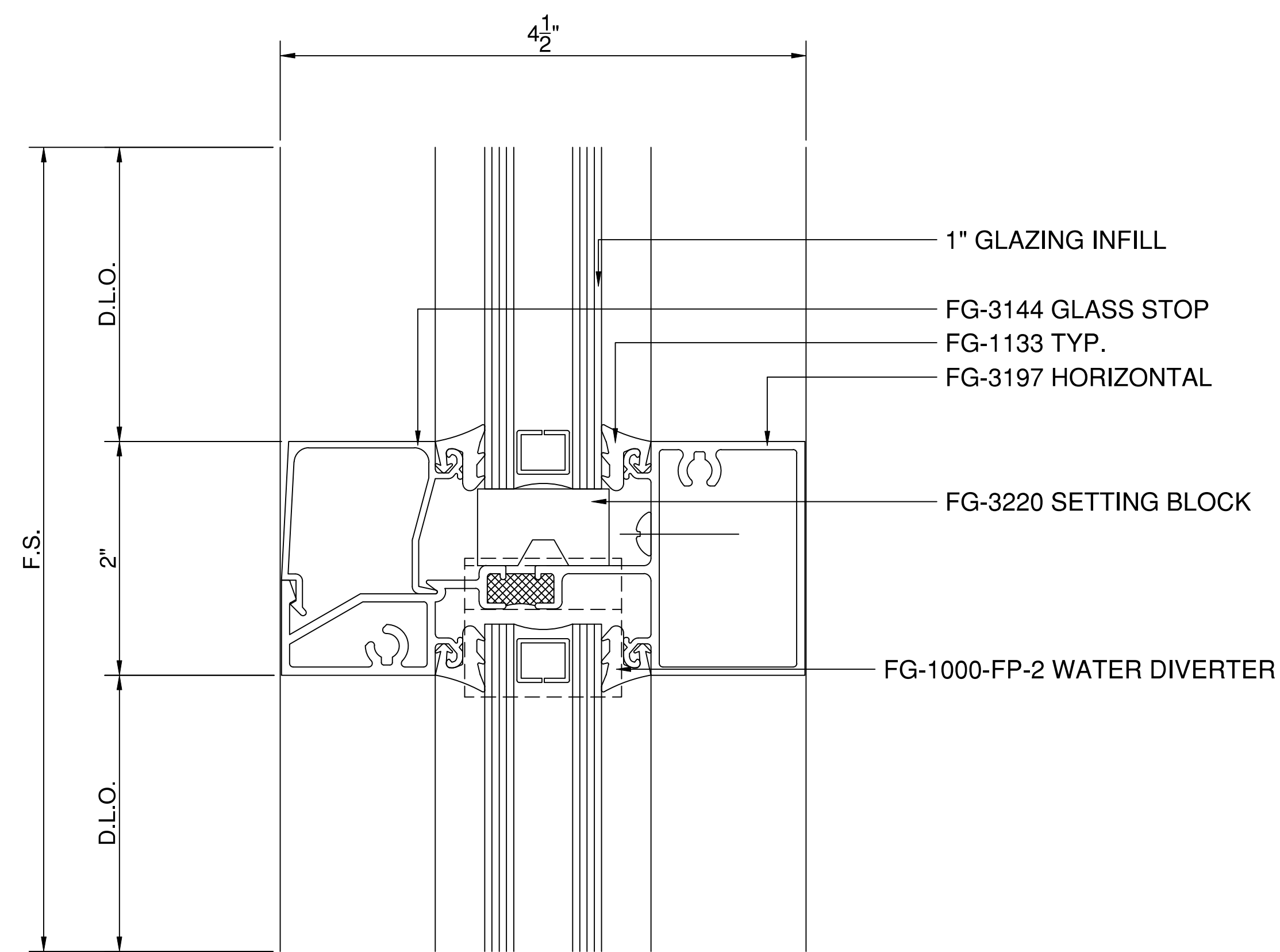
CHECKED BY

SHEET DESCRIPTION

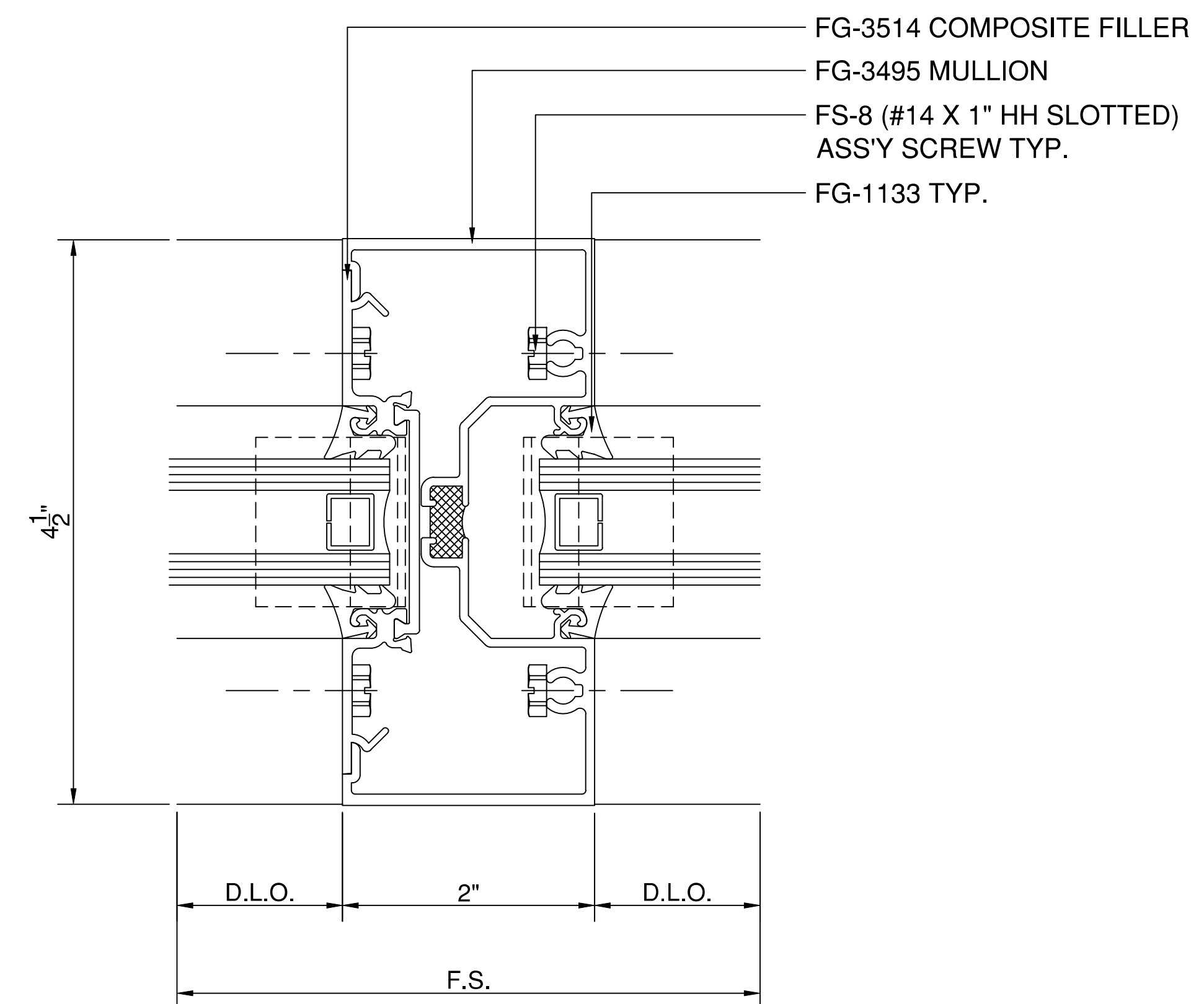
EXT. SF DETAILS

SHEET

806



2 STOREFRONT HORIZONTAL
806 1 FT. = 1 FT.
ARCH. REF.: NA



1 STOREFRONT MULLION
806 1 FT. = 1 FT.
ARCH. REF.: NA

**LAKE KEOWEE
FORD**

10815 CLEMSON BLVD.
SENECA, SC 29678



WWW.CLEARDRAFTINGSOLUTIONS.COM

GLAZING CONTRACTOR

ARCHITECT

THIS DRAWING AND THE INFORMATION ON THIS PAGE ARE PROPERTY OF CLEAR DRAFTING SOLUTIONS AND ITS CLIENT. REPRODUCTION AND DISTRIBUTION OF THIS INFORMATION IS PROHIBITED WITHOUT WRITTEN CONSENT

ISSUE/REVISION

PROJECT NAME

LAKE KEOWEE FORD

FILE NAME

lake_keowee_ford.dwg

SCALE

DRAWN BY

AP

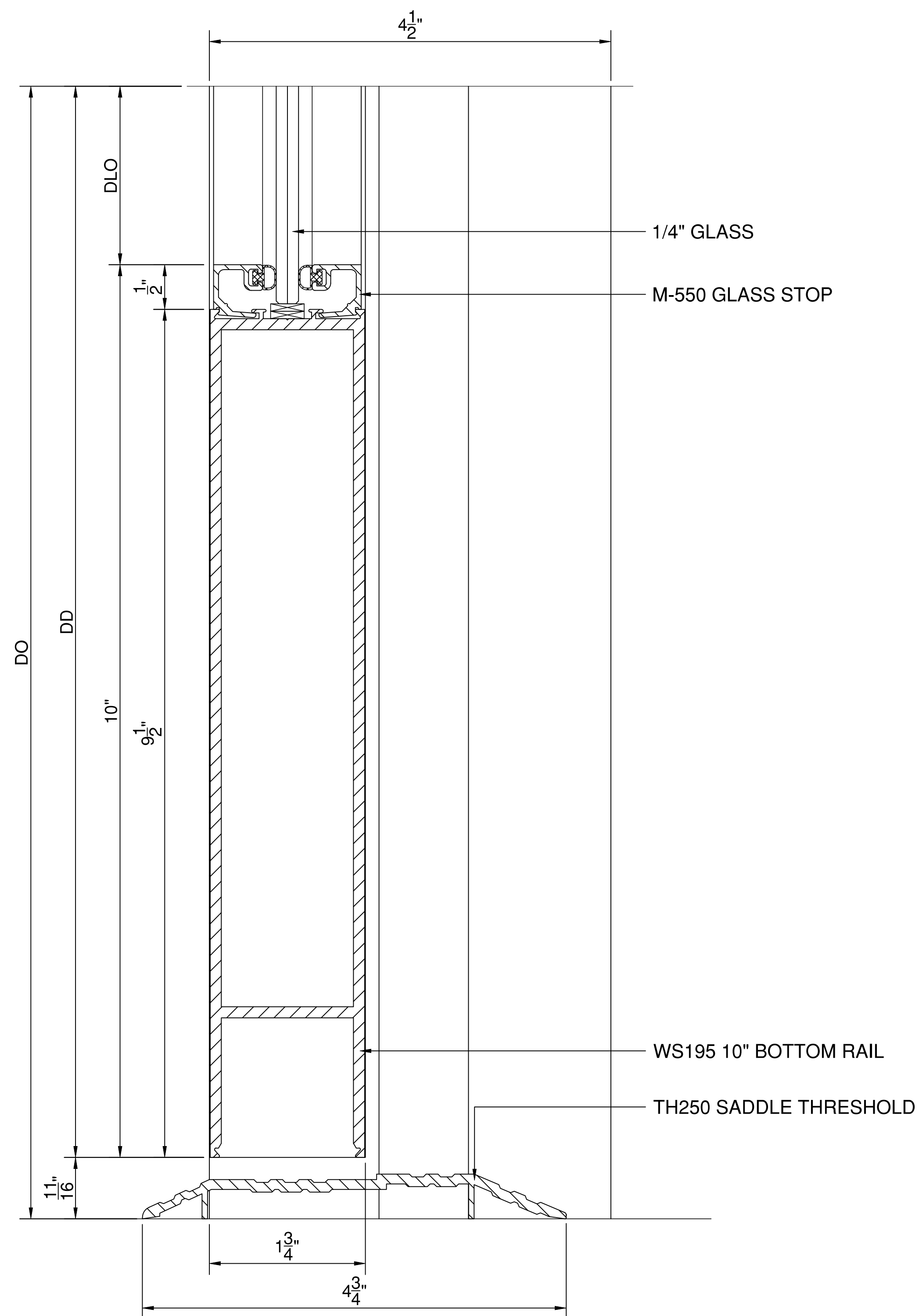
CHECKED BY

SHEET DESCRIPTION

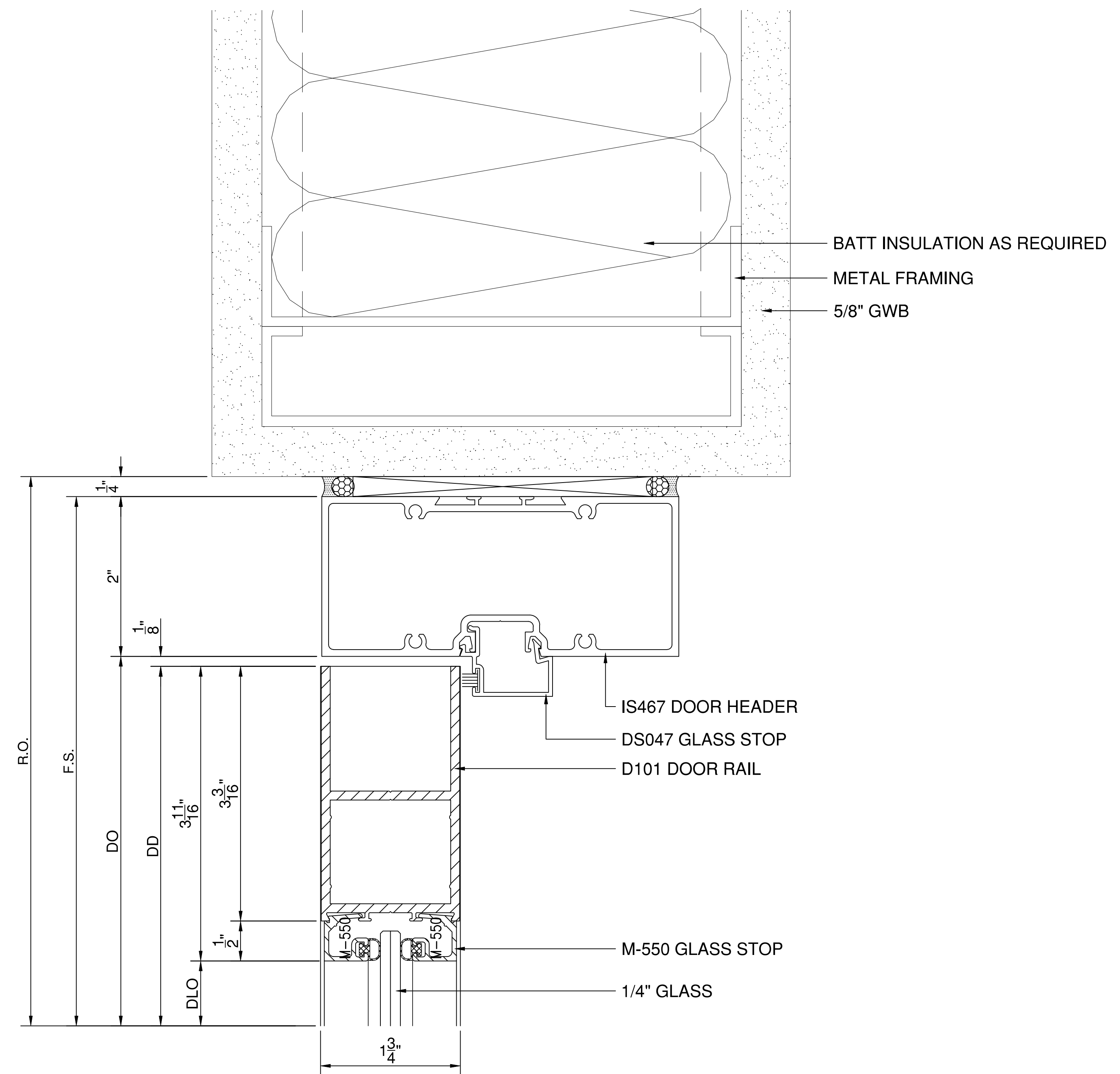
EXT. SF DETAILS

SHEET

807



2 BI-FOLD DOOR BOTTOM RAIL
807 1 FT. = 1 FT.
ARCH. REF.: NA



1 BI-FOLD DOOR HEADER
807 1 FT. = 1 FT.
ARCH. REF.: NA

**LAKE KEOWEE
FORD**

10815 CLEMSON BLVD.
SENECA, SC 29678



WWW.CLEARDRAFTINGSOLUTIONS.COM

GLAZING CONTRACTOR

ARCHITECT

THIS DRAWING AND THE INFORMATION ON THIS PAGE ARE PROPERTY OF CLEAR DRAFTING SOLUTIONS AND ITS CLIENT. REPRODUCTION AND DISTRIBUTION OF THIS INFORMATION IS PROHIBITED WITHOUT WRITTEN CONSENT

ISSUE/REVISION

PROJECT NAME

LAKE KEOWEE FORD

FILE NAME

lake_keowee_ford.dwg

SCALE

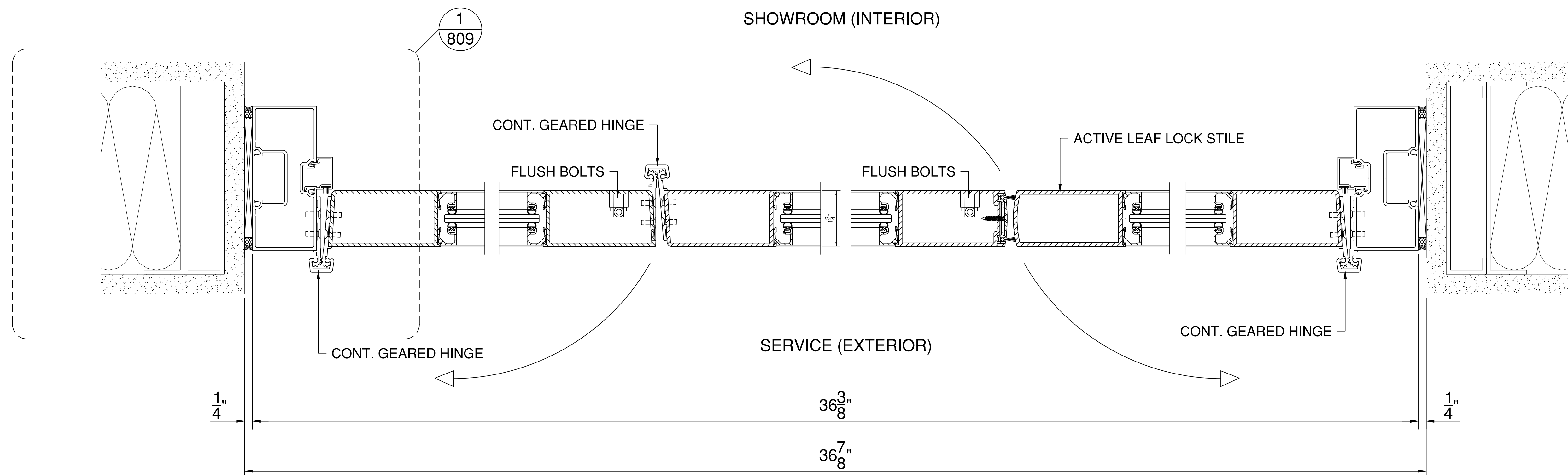
DRAWN BY
AP

CHECKED BY

SHEET DESCRIPTION
EXT. SF DETAILS

SHEET

808



1 BI-FOLD DOOR LAYOUT
808 6" = 1 FT.
ARCH. REF.: NA

**LAKE KEOWEE
FORD**

10815 CLEMSON BLVD.
SENECA, SC 29678



WWW.CLEARDRAFTINGSOLUTIONS.COM

GLAZING CONTRACTOR

ARCHITECT

THIS DRAWING AND THE INFORMATION ON THIS PAGE ARE PROPERTY OF CLEAR DRAFTING SOLUTIONS AND ITS CLIENT. REPRODUCTION AND DISTRIBUTION OF THIS INFORMATION IS PROHIBITED WITHOUT WRITTEN CONSENT

ISSUE/REVISION

PROJECT NAME

LAKE KEOWEE FORD

FILE NAME

lake_keowee_ford.dwg

SCALE

DRAWN BY

AP

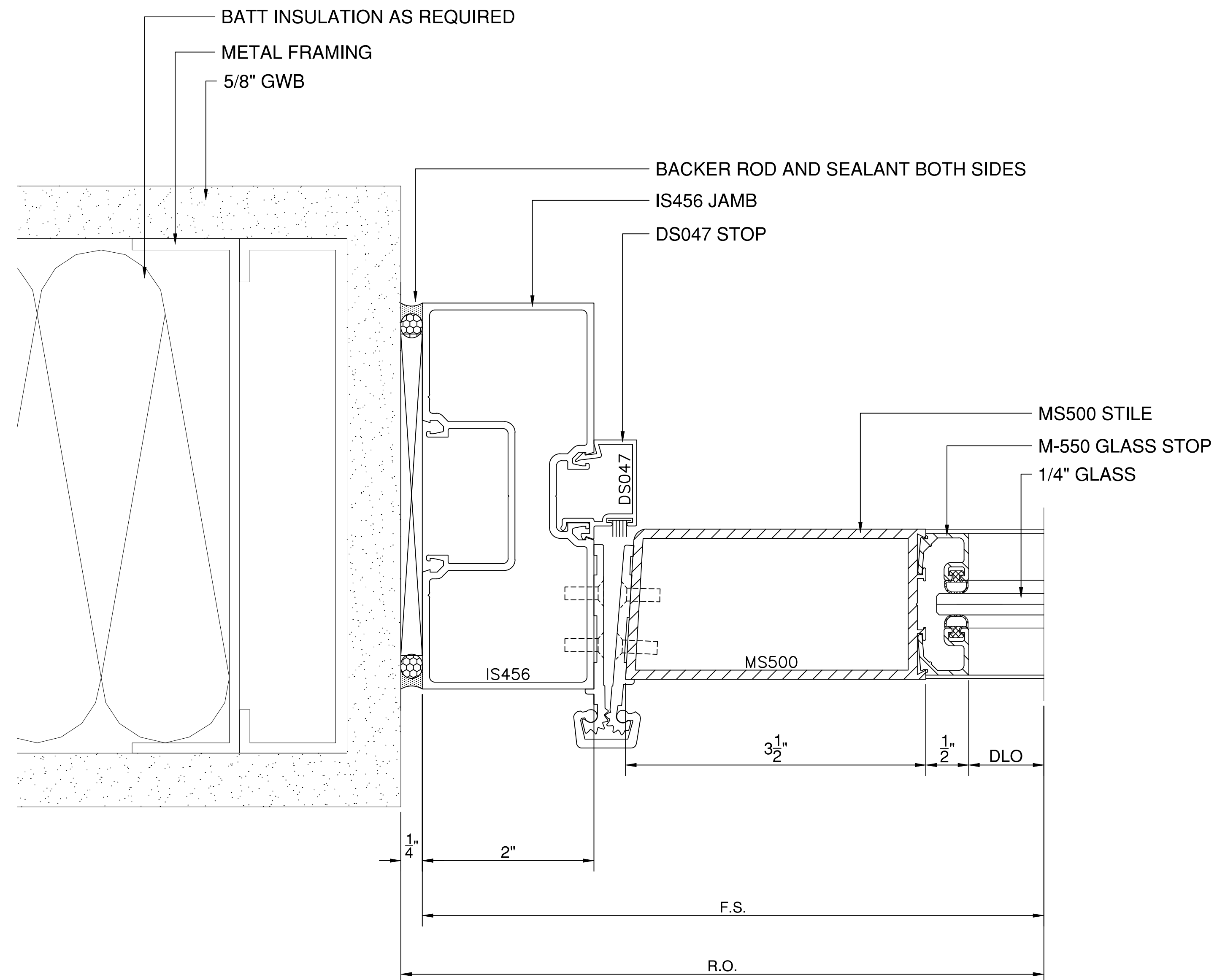
CHECKED BY

SHEET DESCRIPTION

EXT. SF DETAILS

SHEET

809



1 BI-FOLD DOOR JAMB
809 1 FT. = 1 FT.
 ARCH. REF.: NA

**LAKE KEOWEE
FORD**

10815 CLEMSON BLVD.
SENECA, SC 29678



WWW.CLEARDRAFTINGSOLUTIONS.COM

GLAZING CONTRACTOR

ARCHITECT

THIS DRAWING AND THE INFORMATION ON THIS PAGE ARE PROPERTY OF CLEAR DRAFTING SOLUTIONS AND ITS CLIENT. REPRODUCTION AND DISTRIBUTION OF THIS INFORMATION IS PROHIBITED WITHOUT WRITTEN CONSENT

ISSUE/REVISION

PROJECT NAME

LAKE KEOWEE FORD

FILE NAME

lake_keowee_ford.dwg

SCALE

DRAWN BY

AP

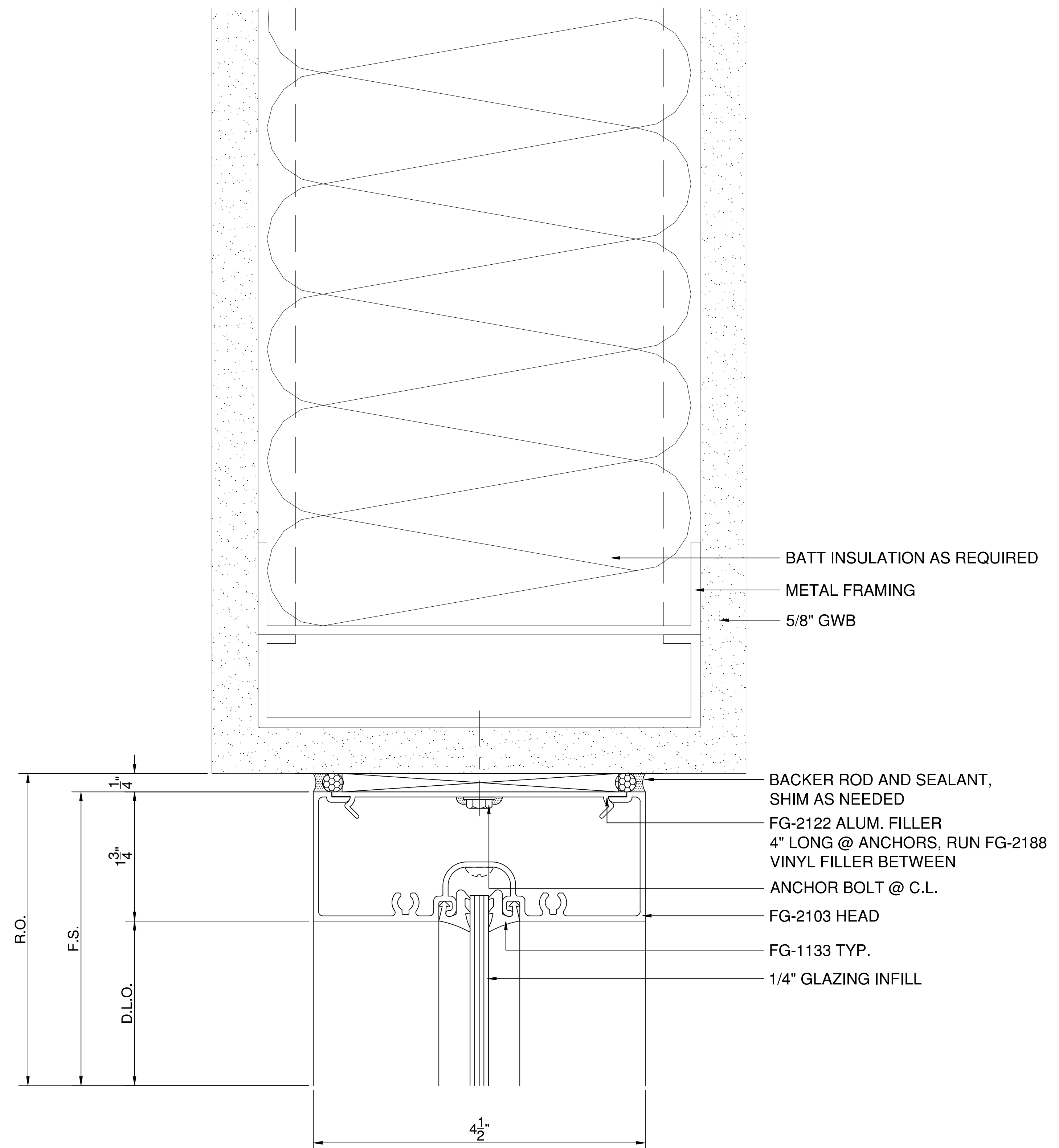
CHECKED BY

SHEET DESCRIPTION

EXT. SF DETAILS

SHEET

901



1 STOREFRONT HEAD DETAIL

901 1 FT. = 1 FT.
ARCH. REF.: A603/2

**LAKE KEOWEE
FORD**

10815 CLEMSON BLVD.
SENECA, SC 29678



WWW.CLEARDRAFTINGSOLUTIONS.COM

GLAZING CONTRACTOR

ARCHITECT

THIS DRAWING AND THE INFORMATION ON THIS PAGE ARE PROPERTY OF CLEAR DRAFTING SOLUTIONS AND ITS CLIENT. REPRODUCTION AND DISTRIBUTION OF THIS INFORMATION IS PROHIBITED WITHOUT WRITTEN CONSENT

ISSUE/REVISION

PROJECT NAME

LAKE KEOWEE FORD

FILE NAME

lake_keowee_ford.dwg

SCALE

DRAWN BY

AP

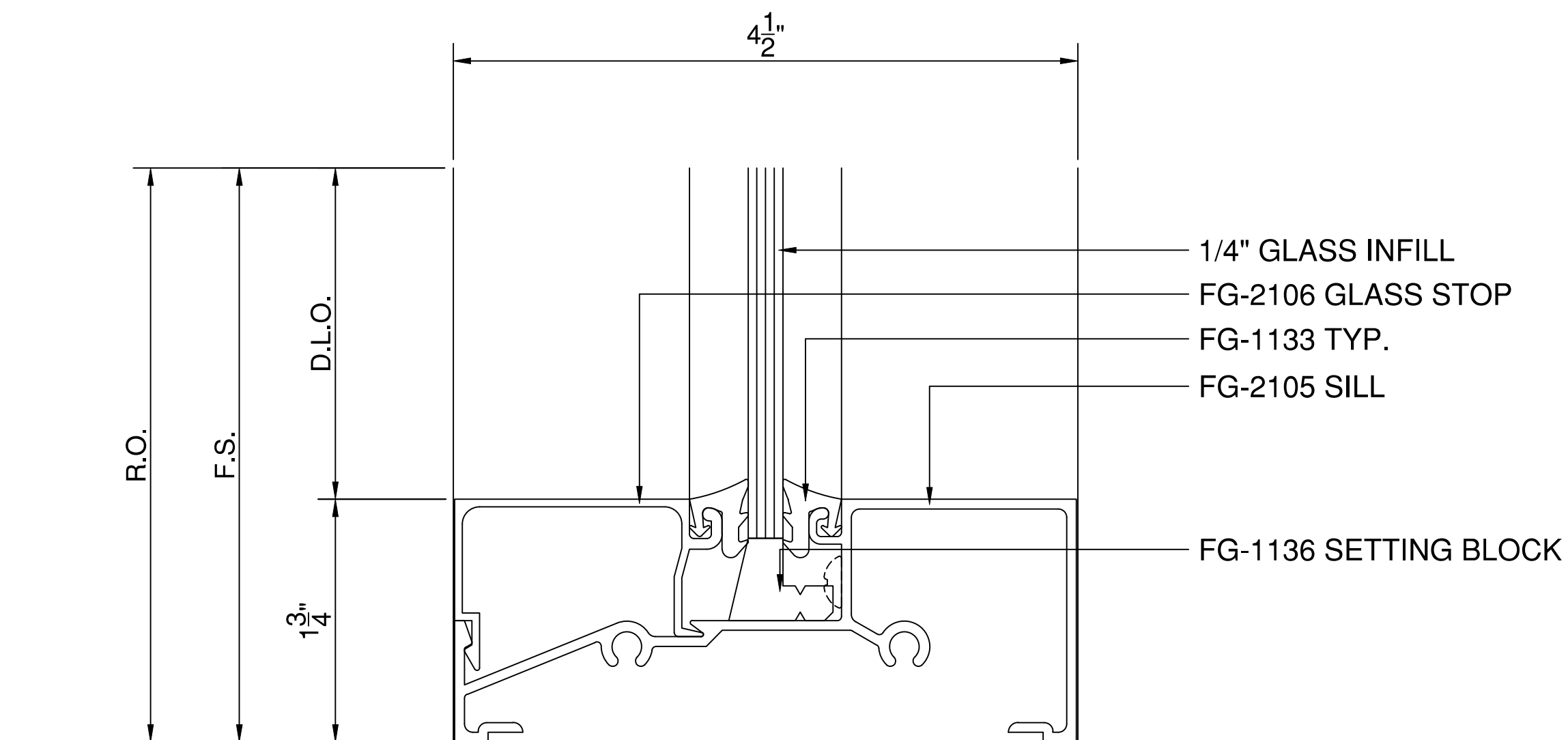
CHECKED BY

SHEET DESCRIPTION

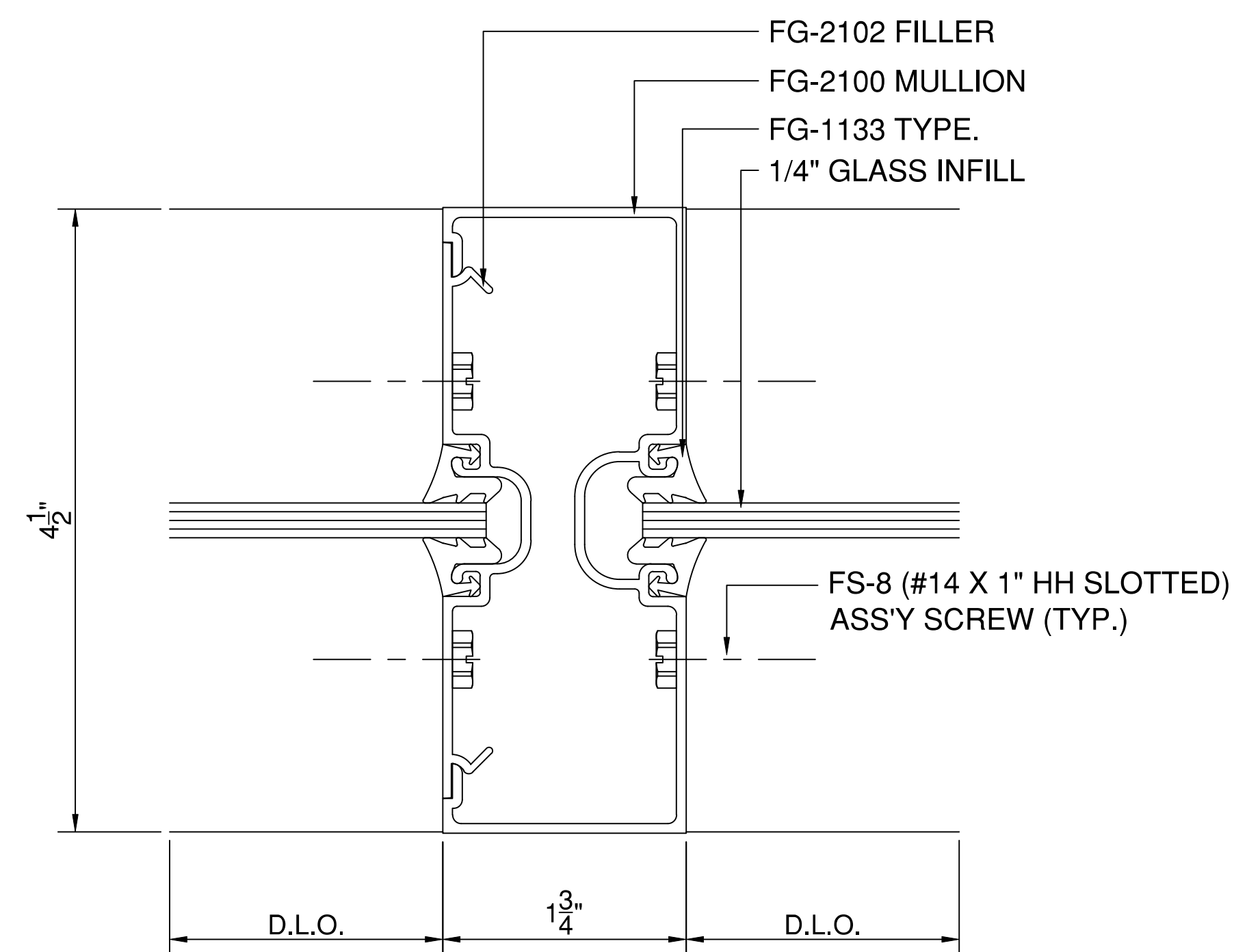
EXT. SF DETAILS

SHEET

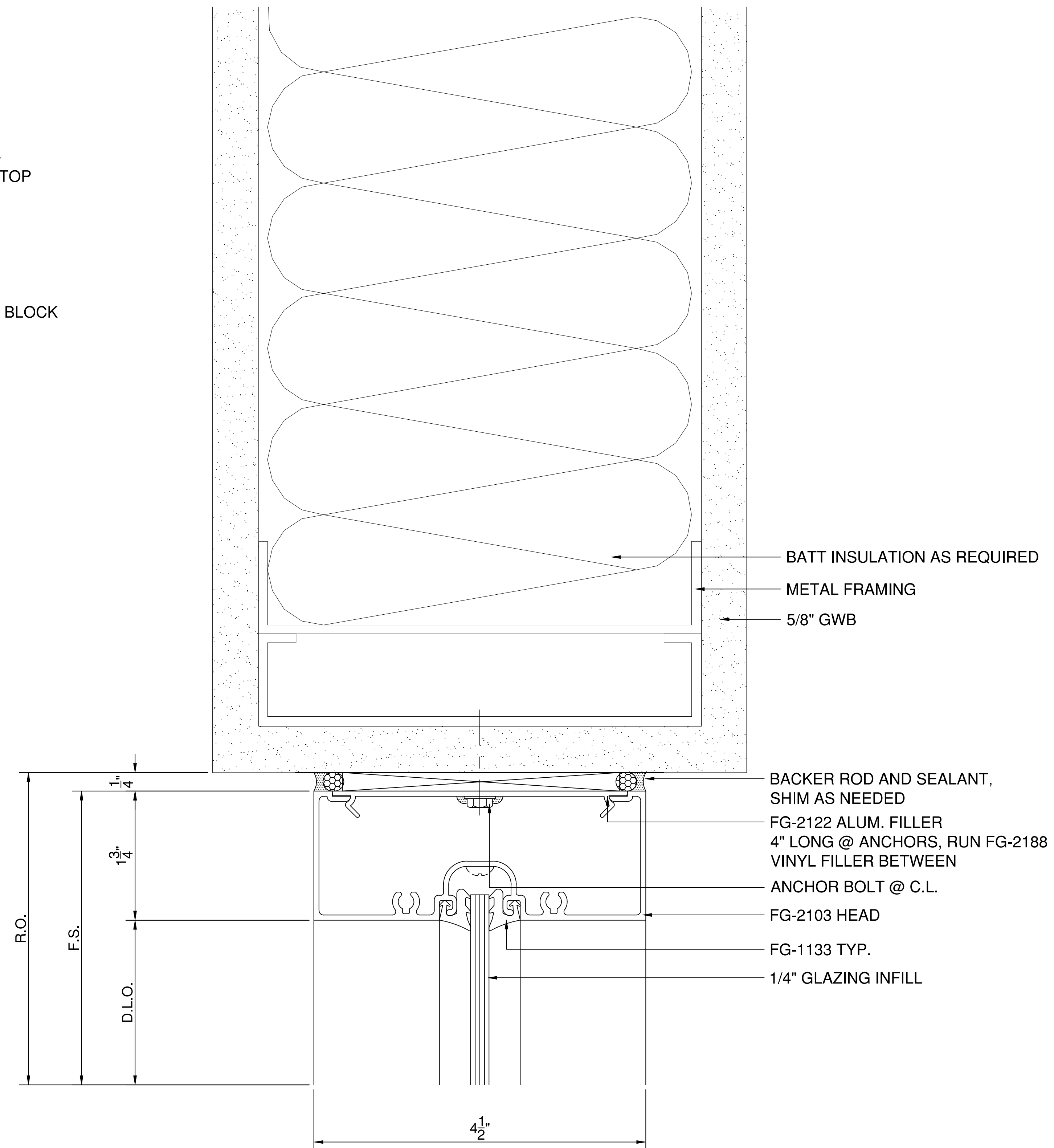
902



2 STOREFRONT SILL DETAIL
902 1 FT. = 1 FT.
ARCH. REF.: NA



3 STOREFRONT MULLION DETAIL
902 1 FT. = 1 FT.
NA



1 STOREFRONT JAMB DETAIL
902 1 FT. = 1 FT.
ARCH. REF.: A603/10

**LAKE KEOWEE
FORD**

10815 CLEMSON BLVD.
SENECA, SC 29678



WWW.CLEARDRAFTINGSOLUTIONS.COM

GLAZING CONTRACTOR

ARCHITECT

THIS DRAWING AND THE INFORMATION ON THIS PAGE ARE PROPERTY OF CLEAR DRAFTING SOLUTIONS AND ITS CLIENT. REPRODUCTION AND DISTRIBUTION OF THIS INFORMATION IS PROHIBITED WITHOUT WRITTEN CONSENT

ISSUE/REVISION

PROJECT NAME

LAKE KEOWEE FORD

FILE NAME

lake_keowee_ford.dwg

SCALE

DRAWN BY

AP

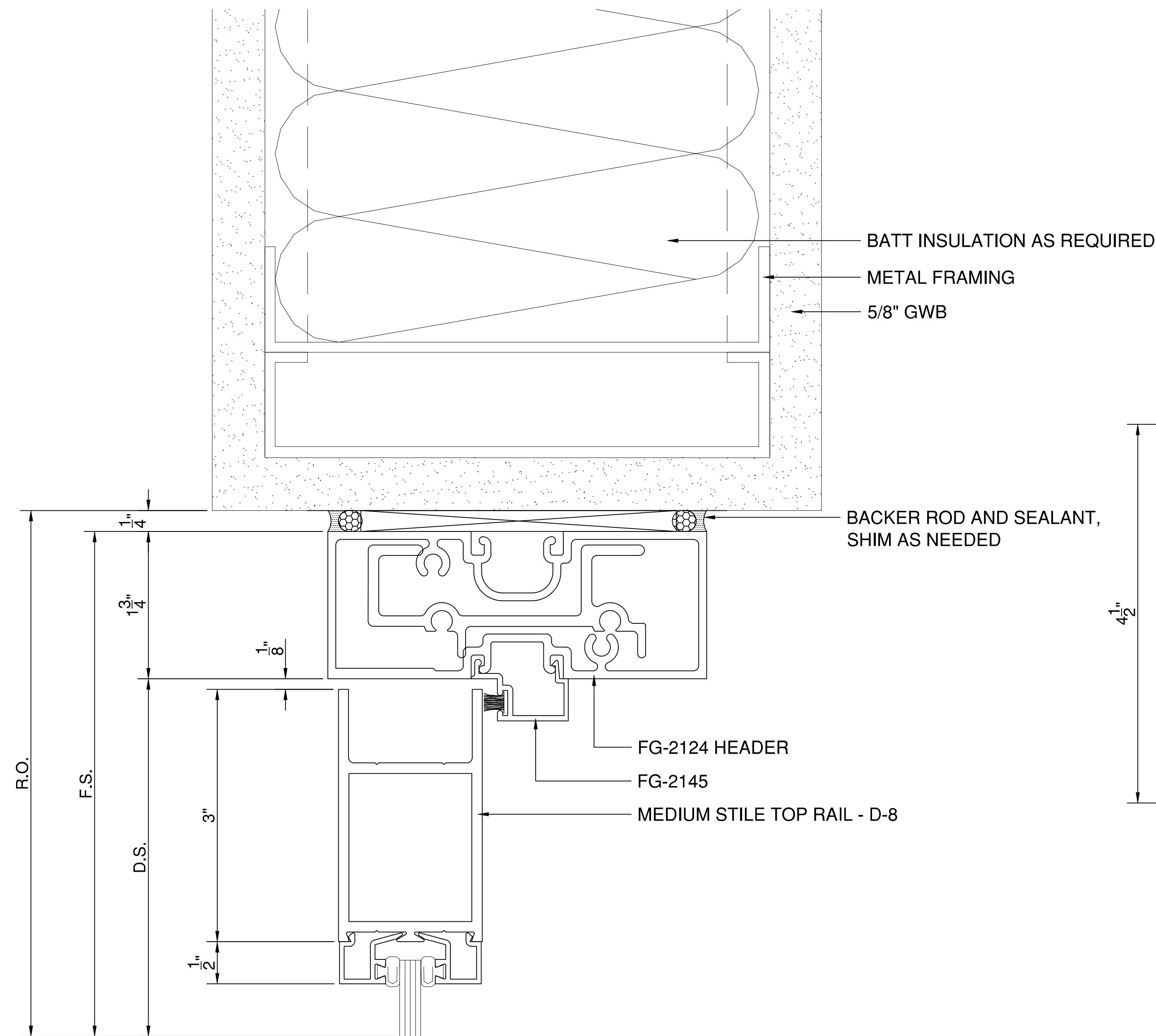
CHECKED BY

SHEET DESCRIPTION

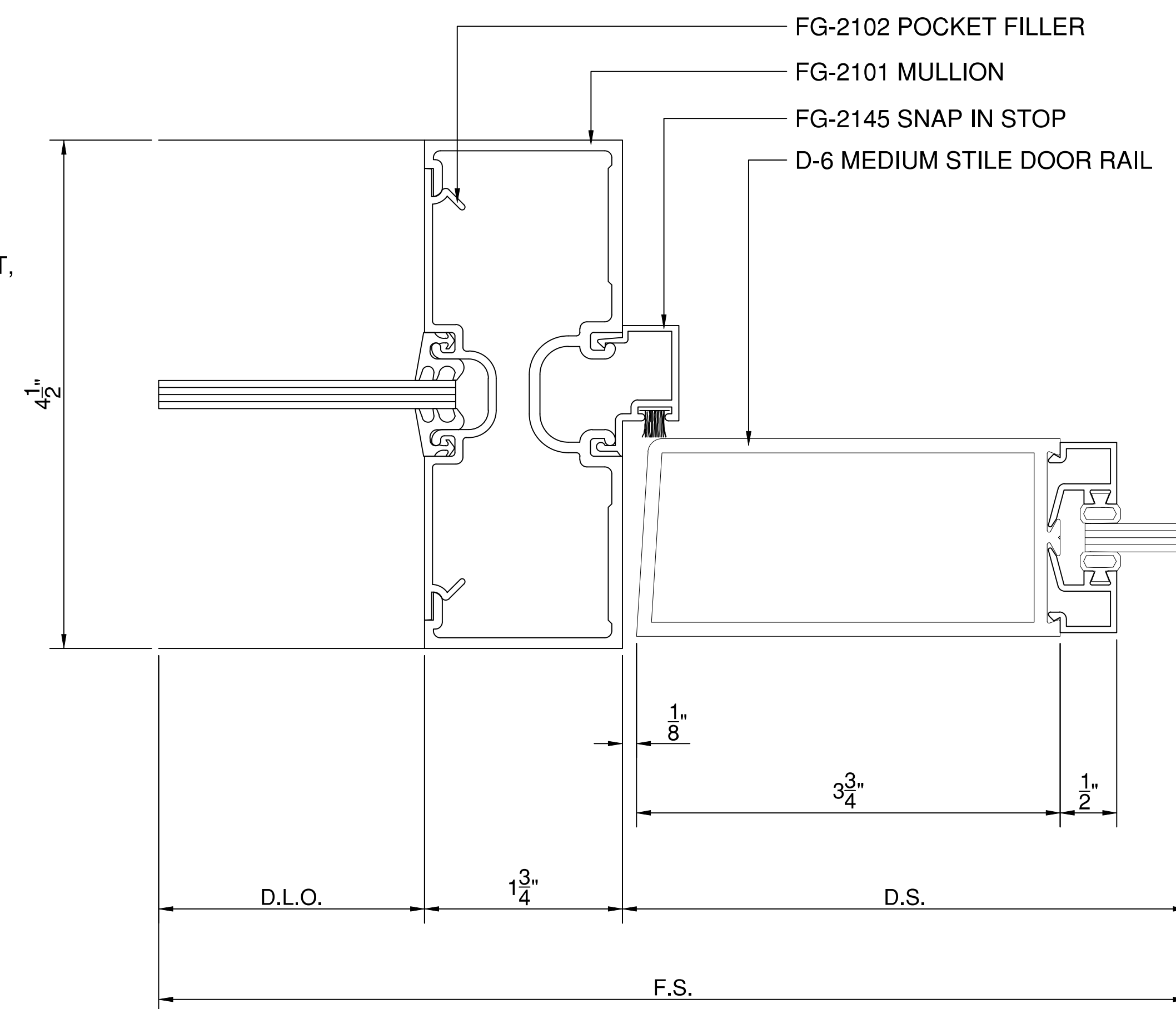
EXT. SF DETAILS

SHEET

903



2 STOREFRONT DOOR HEAD DETAIL
903 1 FT. = 1 FT.
ARCH. REF.: NA



1 STOREFRONT DOOR JAMB DETAIL
903 1 FT. = 1 FT.
ARCH. REF.: NA

**LAKE KEOWEE
FORD**

10815 CLEMSON BLVD.
SENECA, SC 29678



WWW.CLEARDRAFTINGSOLUTIONS.COM

GLAZING CONTRACTOR

ARCHITECT

THIS DRAWING AND THE INFORMATION ON THIS PAGE ARE PROPERTY OF CLEAR DRAFTING SOLUTIONS AND ITS CLIENT. REPRODUCTION AND DISTRIBUTION OF THIS INFORMATION IS PROHIBITED WITHOUT WRITTEN CONSENT

ISSUE/REVISION

PROJECT NAME

LAKE KEOWEE FORD

FILE NAME

lake_keowee_ford.dwg

SCALE

DRAWN BY

AP

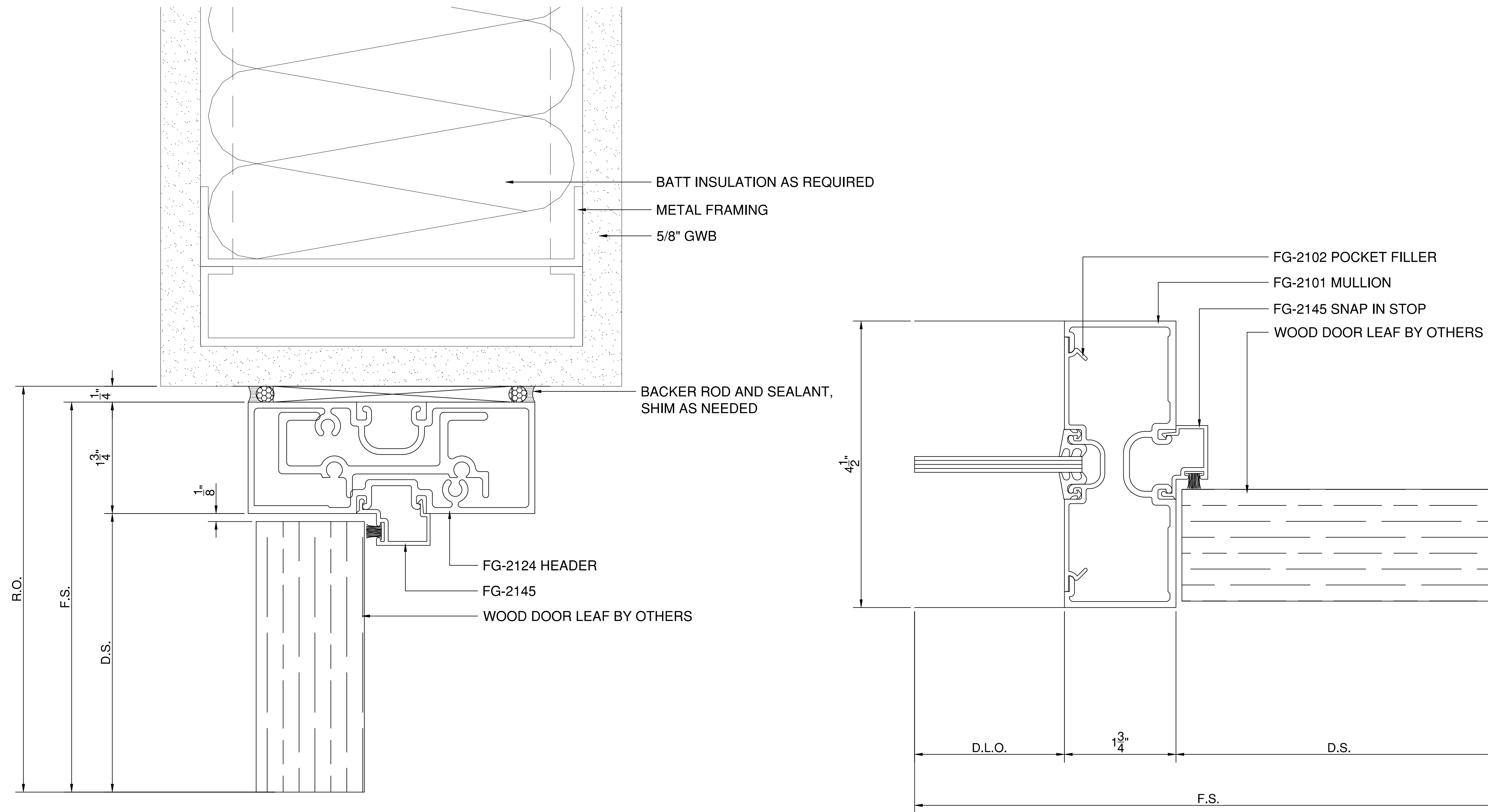
CHECKED BY

SHEET DESCRIPTION

EXT. SF DETAILS

SHEET

904



2 STOREFRONT DOOR HEAD DETAIL
904 1 FT. = 1 FT.
ARCH. REF.: NA

1 STOREFRONT DOOR JAMB DETAIL
904 1 FT. = 1 FT.
ARCH. REF.: NA