

# CAITLIN RUSSELL + JT MOORE RESIDENCE

## GLAZING SHOP DRAWINGS

### SHEET INDEX

SHEET	DESCRIPTION
101	COVER
401	B + D ELEVATIONS
402	Fa + Fb ELEVATIONS
403	G ELEVATION
501	YKK YCW 752 DETAILS
502	YKK YCW 752 DETAILS
503	YKK YCW 752 DETAILS
504	YKK YCW 752 DETAILS
505	YKK YCW 752 DETAILS
506	YKK YCW 752 DETAILS
507	YKK YCW 752 DETAILS

**RUSSELL MOORE RESIDENCE**



WWW.CLEARDRAFTINGSOLUTIONS.COM

GLAZING CONTRACTOR

ARCHITECTS

THIS DRAWING AND THE INFORMATION ON THIS PAGE ARE PROPERTY OF CLEAR DRAFTING SOLUTIONS AND ITS CLIENT. REPRODUCTION AND DISTRIBUTION OF THIS INFORMATION IS PROHIBITED WITHOUT WRITTEN CONSENT

ISSUE/REVISION

REV-1: 09.30.20

PROJECT NAME  
RUSSELL MOORE RESIDENCE

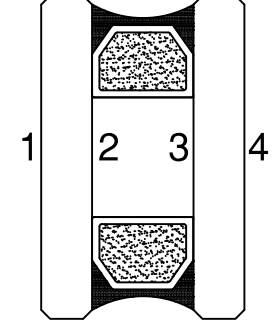
FILE NAME  
RUSSELL RESIDENCE.dwg

SCALE

DRAWN BY  
AP      CHECKED BY

SHEET DESCRIPTION  
COVER

SHEET  
**101**

DOOR SCHEDULE							GLAZING SCHEDULE		MATERIAL SPECS	ABBREVIATIONS
DOOR #	SIZE	GLAZING	STILE	SWING	FRAME	HW SET	SYMBOL	GLASS INFORMATION		
							(GL01)	1" O.A. CLEAR INSULATED UNITS W/ SNX 62/27 ON #2 SURFACE, TEMPERED WHERE REQ.	EXTERIOR STOREFRONT SYSTEM MATERIAL: TRULITE CT451 (2" X 4-1/2") FINISH: DARK BRONZE ANODIZED FRAMES: SEE ELEVATIONS	<p>A - ANNEALED AFF - ABOVE FINISH FLOOR BOH - BOTTOM OF HORIZONTAL DIM - DIMENSION DLO - DAY LIGHT OPENING DO - DOOR OPENING DS - DOOR SIZE FF - FINISHED FLOOR FS - FRAME SIZE GC - GENERAL CONTRACTOR GS - GLASS SIZE HW - HARDWARE ML - MULLION LENGTH NTS - NOT TO SCALE REF - REFERENCE RO - ROUGH OPENING T - TEMPERED TOH - TOP OF HORIZONTAL</p>
								NOT USED	SILICON SEALANT MATERIAL: TBD FINISH: TBD FRAMES: ALL	
								NOT USED		
							INSULATED GLASS SURFACE ILLUSTRATION  EXTERIOR      INTERIOR 1      2      3      4 * ALL UNITS TEMPERED WHERE REQUIRED BY CODE			

HARDWARE SCHEDULE		DESIGN CRITERIA	GENERAL NOTES
SET NUMBER	HARDWARE INFORMATION	NONE PROVIDED AT TIME OF DRAWINGS	1. CLEAR DRAFTING SOLUTIONS LLC. ASSUMES NO RESPONSIBILITY FOR ERRORS RESULTING IN THE UNAUTHORIZED USE OF THESE DRAWINGS. 2. BLOCKING AND SUPPORT REQUIRED FOR INSTALLATION WILL BE SPECIFIED AND INSTALLED BY OTHERS. 3. ALL DIMENSIONS ARE TO BE FIELD VERIFIED AND/OR APPROVED BY GENERAL CONTRACTOR PRIOR TO MATERIALS BEING ORDERED AND FABRICATED. 4. ROUGH OPENINGS PROVIDED MUST BE SQUARE/PLUMB AND WITHIN BUILDING TOLERANCES 5. ALL STRUCTURAL AND FASTENER INFORMATION CONVEYED BY THESE DRAWINGS ARE FOR REFERENCE ONLY. IT IS THE RESPONSIBILITY OF THE CUSTOMER TO COMPLY WITH MANUFACTURER REQUIREMENTS. 6. IT IS THE RESPONSIBILITY OF THE ARCHITECT AND GENERAL CONTRACTOR TO ENSURE THE PRODUCTS SELECTED BY THEM MEET ALL CODE REQUIREMENTS FOR THIS PROJECT. 7. ALL FRAMING SYSTEMS AND PRODUCTS IN THIS DOCUMENT ARE TO BE INSTALLED PER THE MANUFACTURER. 8. IT IS THE RESPONSIBILITY OF THE CONTRACTOR AND ARCHITECT TO ENSURE THAT THE STRUCTURE PROVIDED CAN SUPPORT AND WITHSTAND THE LOADS IMPOSED BY THE SYSTEM DETAILED IN THESE DRAWINGS. 9. IT IS IMPORTANT THAT ALL PRODUCTS INSTALLED BE PROTECTED FROM DAMAGE AFTER INSTALLATION. THE GLAZING CONTRACTOR TAKES NO RESPONSIBILITY FOR MATERIAL DAMAGE BY OTHER TRADES ONCE INSTALLED. IT IS THE GC'S RESPONSIBILITY TO PROTECT AND MONITOR THE MATERIAL AFTER INSTALL.
HW-1	NOT USED		
HW-2	NOT USED		
HW-3	NOT USED		

# RUSSELL MOORE RESIDENCE



WWW.CLEARDRAFTINGSOLUTIONS.COM

GLAZING CONTRACTOR

ARCHITECT

THIS DRAWING AND THE INFORMATION ON THIS PAGE ARE PROPERTY OF CLEAR DRAFTING SOLUTIONS AND ITS CLIENT. REPRODUCTION AND DISTRIBUTION OF THIS INFORMATION IS PROHIBITED WITHOUT WRITTEN CONSENT

ISSUE/REVISION

REV-1: 09.30.20

PROJECT NAME  
RUSSELL MOORE RESIDENCE

FILE NAME  
RUSSELL RESIDENCE.dwg

SCALE

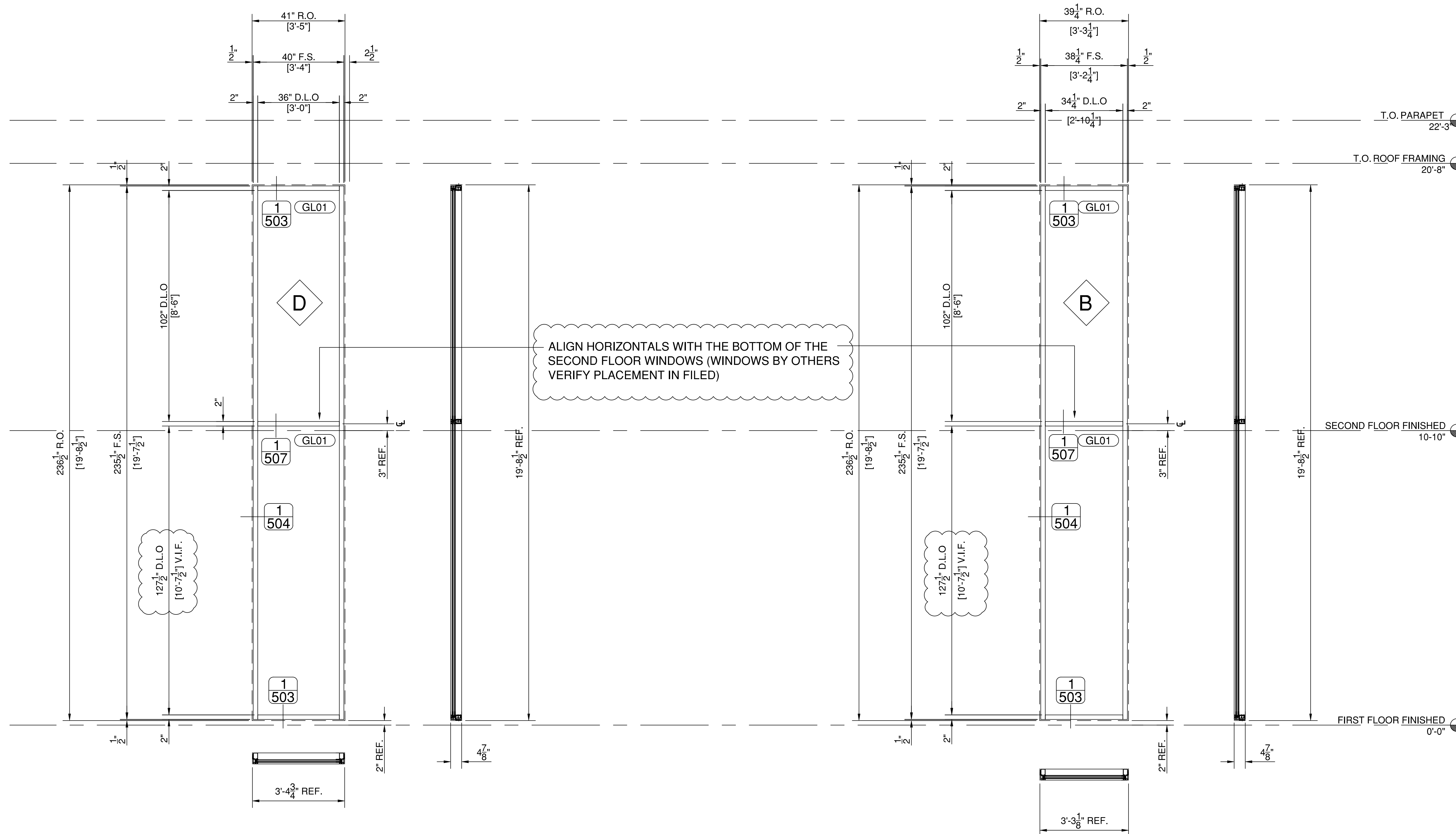
DRAWN BY  
AP

CHECKED BY

SHEET DESCRIPTION  
ELEVATION

SHEET

# 401



**1**  
**401** ELEVATION - "D"  
SCALE: 1/2" = 1 FT.  
QTY: 1  
ARCH. REF.: A3.4/1  
SYSTEM: YKK YCW 752 CW SYSTEM - 2" X 4-7/8"  
FINISH: STD. PAINTED, TBD

**1**  
**401** ELEVATION - "B"  
SCALE: 1/2" = 1 FT.  
QTY: 1  
ARCH. REF.: A3.4/1  
SYSTEM: YKK YCW 752 CW SYSTEM - 2" X 4-7/8"  
FINISH: STD. PAINTED, TBD

GLASS LEGEND	
GL01	1" INSULATED, SNX 62/27

**RUSSELL MOORE RESIDENCE**



WWW.CLEARDRAFTINGSOLUTIONS.COM

GLAZING CONTRACTOR

ARCHITECT

THIS DRAWING AND THE INFORMATION ON THIS PAGE ARE PROPERTY OF CLEAR DRAFTING SOLUTIONS AND ITS CLIENT. REPRODUCTION AND DISTRIBUTION OF THIS INFORMATION IS PROHIBITED WITHOUT WRITTEN CONSENT

ISSUE/REVISION

REV-1: 09.30.20

PROJECT NAME  
RUSSELL MOORE RESIDENCE

FILE NAME  
RUSSELL RESIDENCE.dwg

SCALE

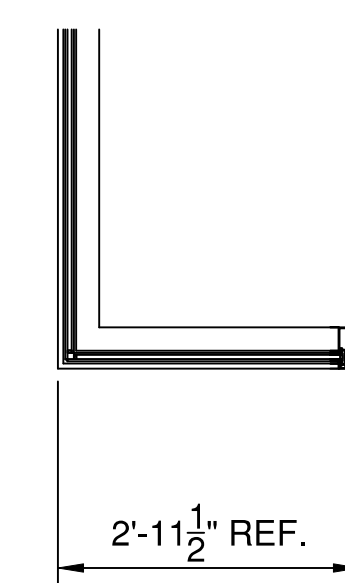
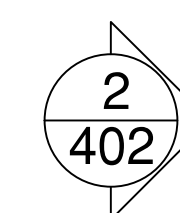
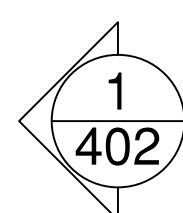
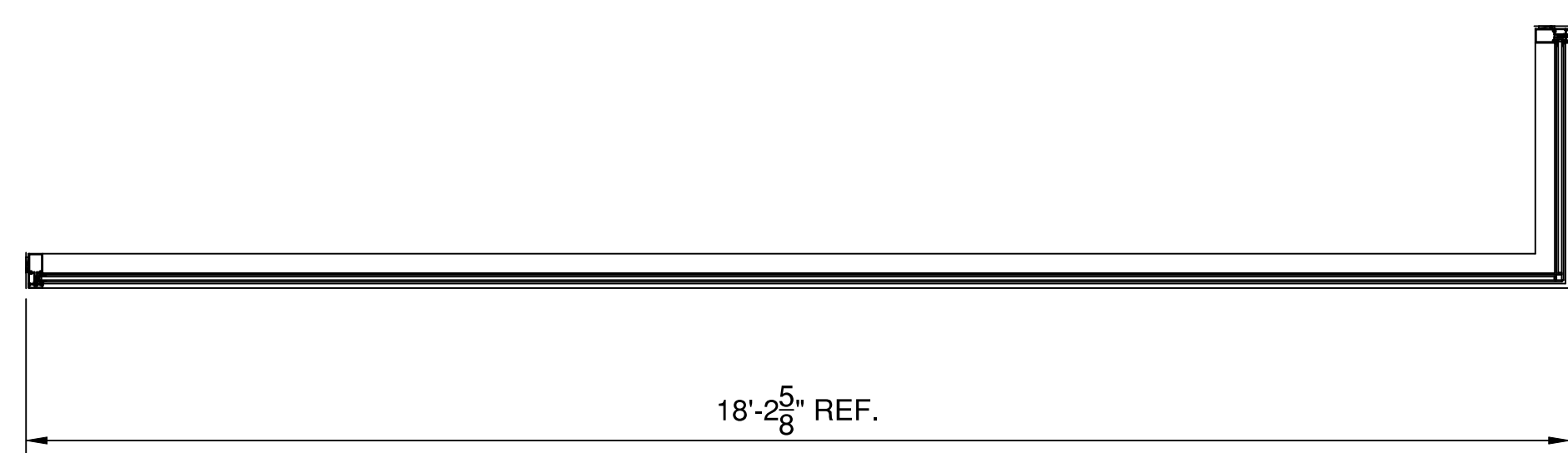
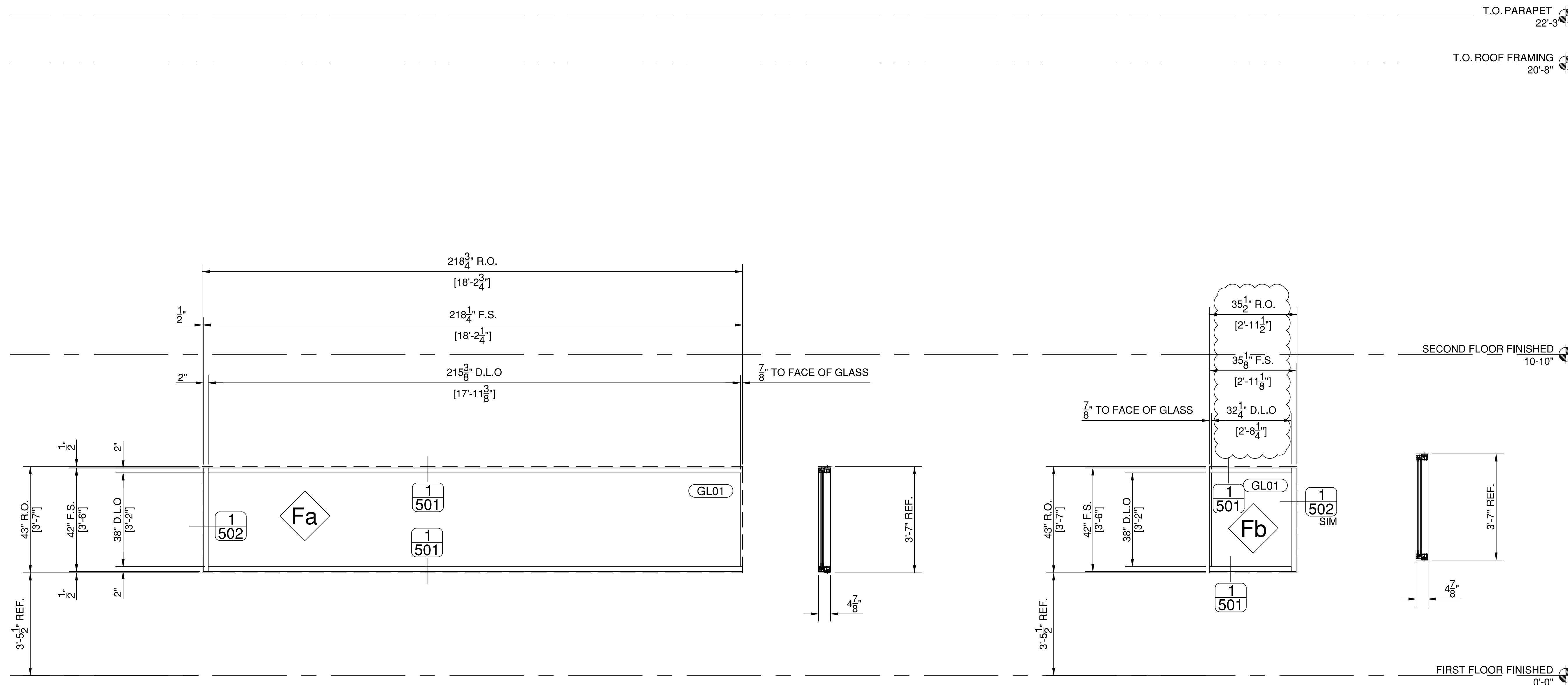
DRAWN BY  
AP

CHECKED BY

SHEET DESCRIPTION  
ELEVATION

SHEET

**402**



**1**  
**402** ELEVATION - "Fa"  
SCALE: 1/2 = 1 FT.  
QTY: 1  
ARCH. REF.: A3.4/1  
SYSTEM: YKK YCW 752 CW SYSTEM - 2" X 4-7/8"  
FINISH: STD. PAINTED, TBD

**1**  
**402** ELEVATION - "Fb"  
SCALE: 1/2 = 1 FT.  
QTY: 1  
ARCH. REF.: A3.4/1  
SYSTEM: YKK YCW 752 CW SYSTEM - 2" X 4-7/8"  
FINISH: STD. PAINTED, TBD

GLASS LEGEND	
GL01	1" INSULATED, SNX 62/27

**RUSSELL  
MOORE  
RESIDENCE**



WWW.CLEARDRAFTINGSOLUTIONS.COM

GLAZING CONTRACTOR

ARCHITECT

THIS DRAWING AND THE INFORMATION ON THIS PAGE ARE PROPERTY OF CLEAR DRAFTING SOLUTIONS AND ITS CLIENT. REPRODUCTION AND DISTRIBUTION OF THIS INFORMATION IS PROHIBITED WITHOUT WRITTEN CONSENT

ISSUE/REVISION

△ REV-1: 09.30.20

PROJECT NAME  
RUSSELL MOORE RESIDENCE

FILE NAME  
RUSSELL RESIDENCE.dwg

SCALE

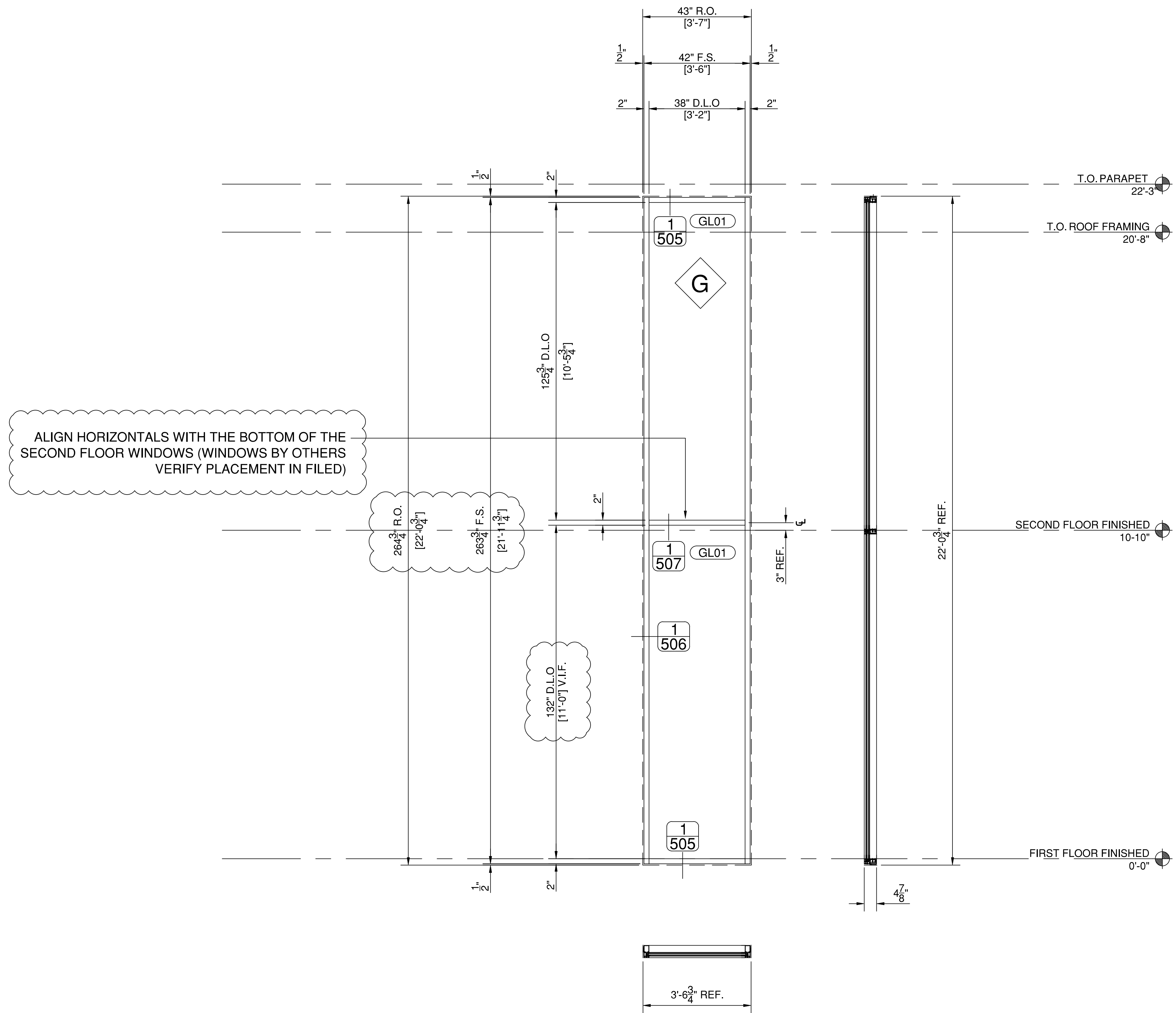
DRAWN BY  
AP

CHECKED BY

SHEET DESCRIPTION  
ELEVATION

SHEET

**403**



**1**  
**503** ELEVATION - "G"  
SCALE: 1/2" = 1 FT.  
QTY: 1  
ARCH. REF.: A3.4/1  
SYSTEM: YKK YCW 752 CW SYSTEM - 2" X 4-7/8"  
FINISH: STD. PAINTED, TBD

GLASS LEGEND	
GL01	1" INSULATED, SNX 62/27

**RUSSELL  
MOORE  
RESIDENCE**



WWW.CLEARDRAFTINGSOLUTIONS.COM

GLAZING CONTRACTOR

ARCHITECT

THIS DRAWING AND THE INFORMATION ON THIS PAGE ARE PROPERTY OF CLEAR DRAFTING SOLUTIONS AND ITS CLIENT. REPRODUCTION AND DISTRIBUTION OF THIS INFORMATION IS PROHIBITED WITHOUT WRITTEN CONSENT

ISSUE/REVISION

REV-1: 09.30.20

PROJECT NAME  
RUSSELL MOORE RESIDENCE

FILE NAME  
RUSSELL RESIDENCE.dwg

SCALE  
1/2" = 1 FT.

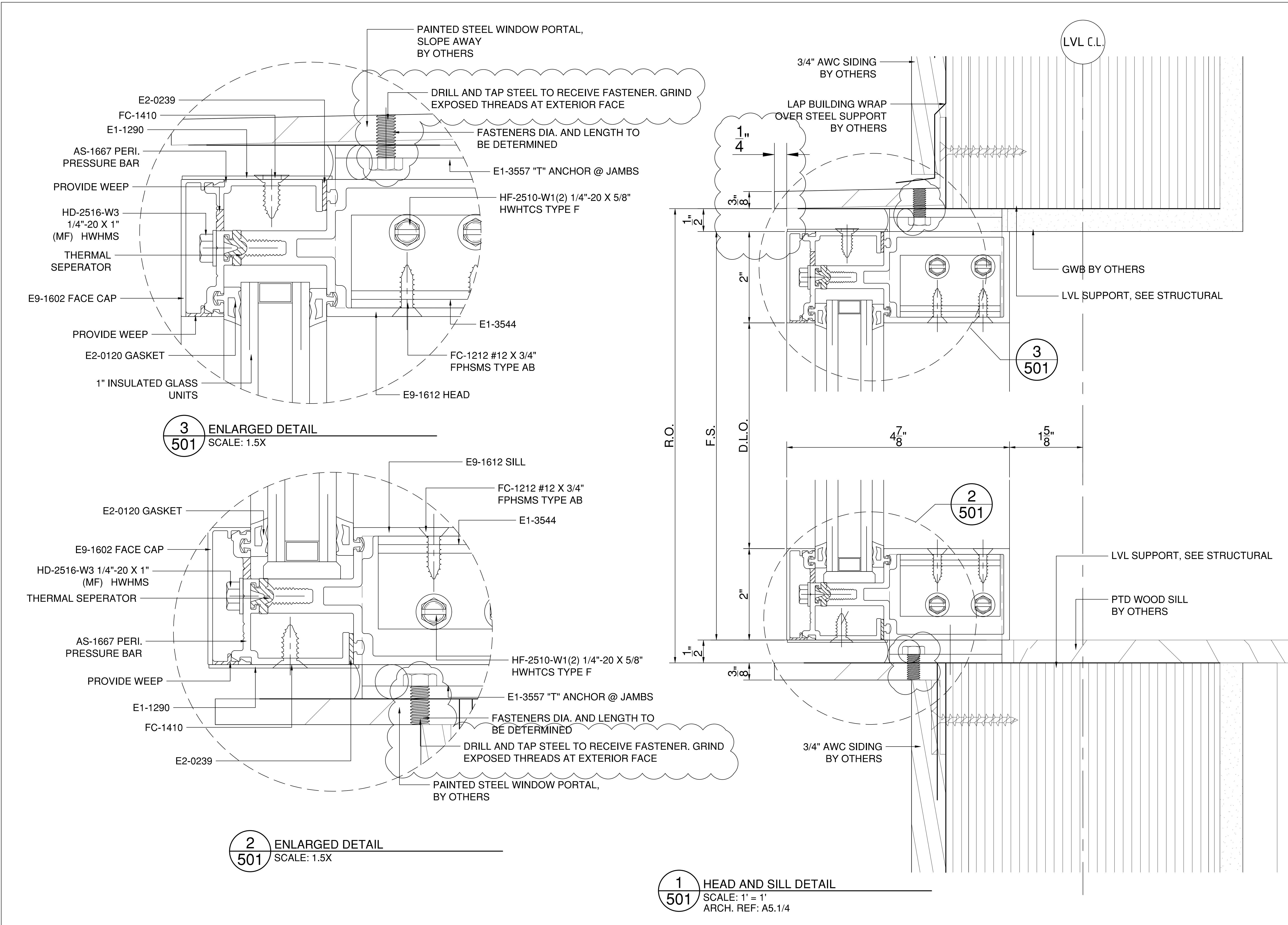
DRAWN BY  
AP

CHECKED BY

SHEET DESCRIPTION  
DETAILS

SHEET

**501**



**RUSSELL  
MOORE  
RESIDENCE**



WWW.CLEARDRAFTINGSOLUTIONS.COM

GLAZING CONTRACTOR

ARCHITECT

THIS DRAWING AND THE INFORMATION ON THIS PAGE ARE PROPERTY OF CLEAR DRAFTING SOLUTIONS AND ITS CLIENT. REPRODUCTION AND DISTRIBUTION OF THIS INFORMATION IS PROHIBITED WITHOUT WRITTEN CONSENT

ISSUE/REVISION

△ REV-1: 09.30.20

PROJECT NAME  
RUSSELL MOORE RESIDENCE

FILE NAME  
RUSSELL RESIDENCE.dwg

SCALE  
1/2" = 1 FT.

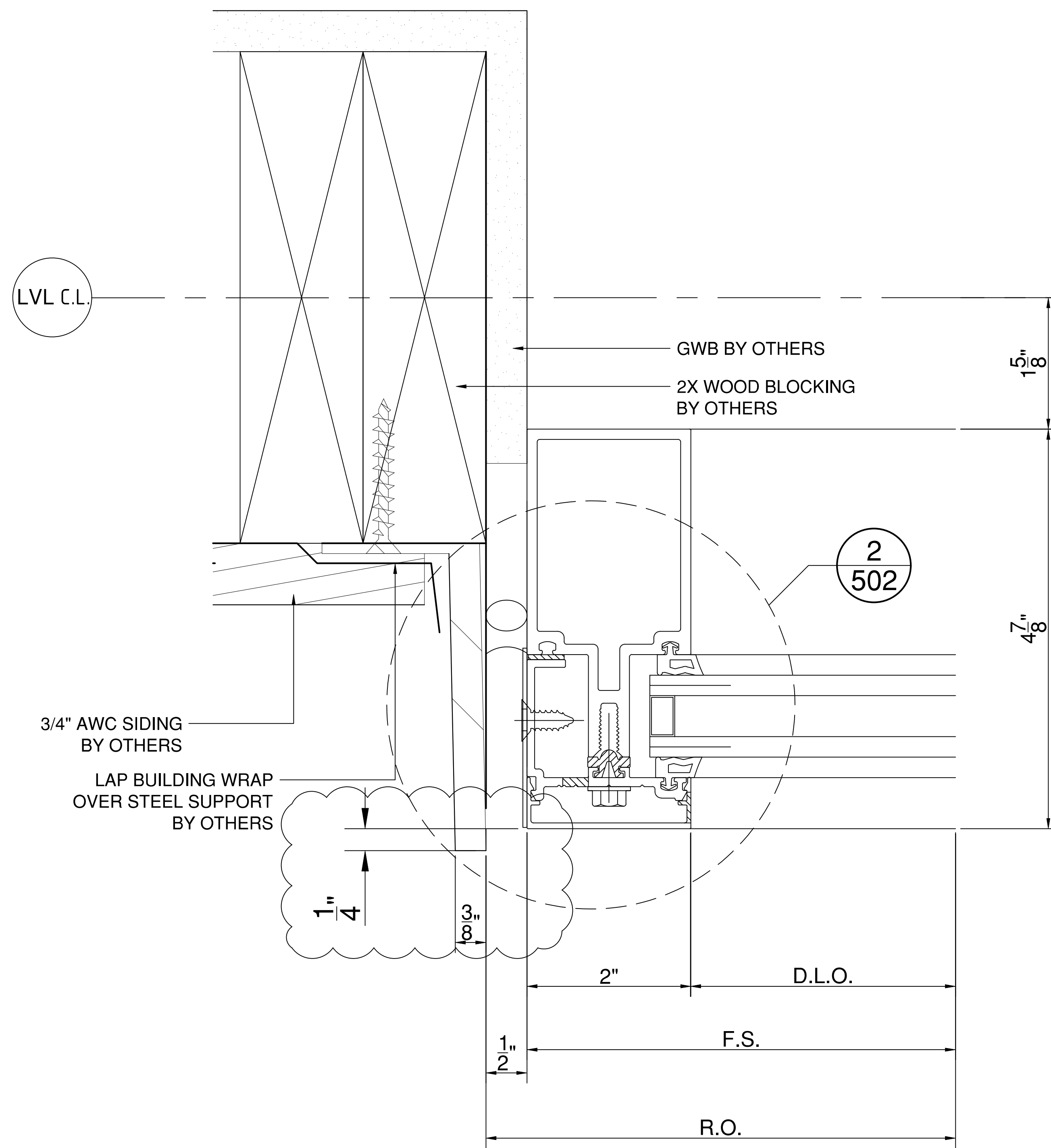
DRAWN BY  
AP

CHECKED BY

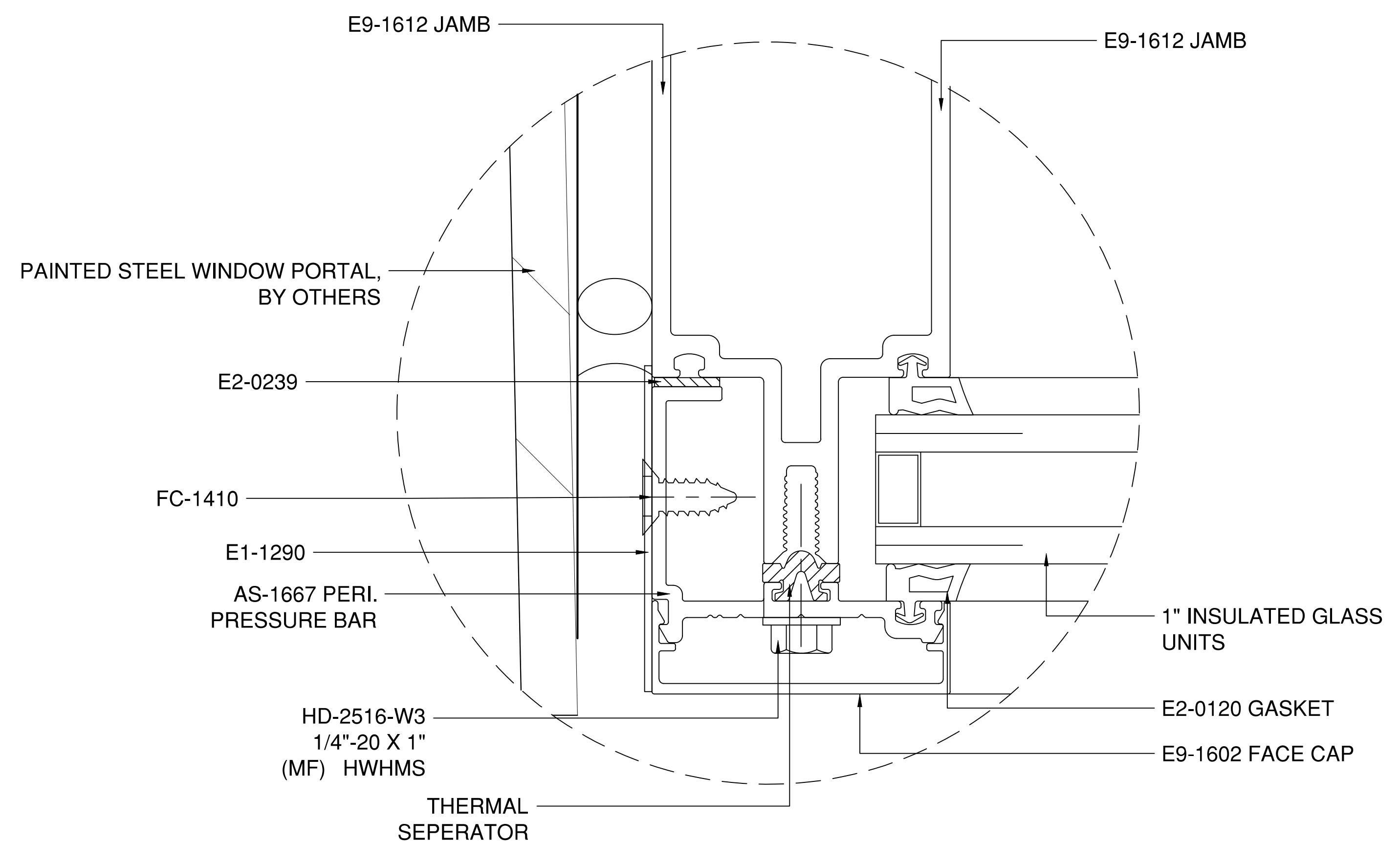
SHEET DESCRIPTION  
DETAILS

SHEET

**502**



**1** JAMB DETAIL  
SCALE: 1' = 1'  
ARCH. REF: NA



**2** ENLARGED DETAIL  
SCALE: 1.5X

**RUSSELL  
MOORE  
RESIDENCE**



WWW.CLEARDRAFTINGSOLUTIONS.COM

GLAZING CONTRACTOR

ARCHITECT

THIS DRAWING AND THE INFORMATION ON THIS PAGE ARE PROPERTY OF CLEAR DRAFTING SOLUTIONS AND ITS CLIENT. REPRODUCTION AND DISTRIBUTION OF THIS INFORMATION IS PROHIBITED WITHOUT WRITTEN CONSENT

ISSUE/REVISION

△ REV-1: 09.30.20

PROJECT NAME  
RUSSELL MOORE RESIDENCE

FILE NAME  
RUSSELL RESIDENCE.dwg

SCALE  
1/2" = 1 FT.

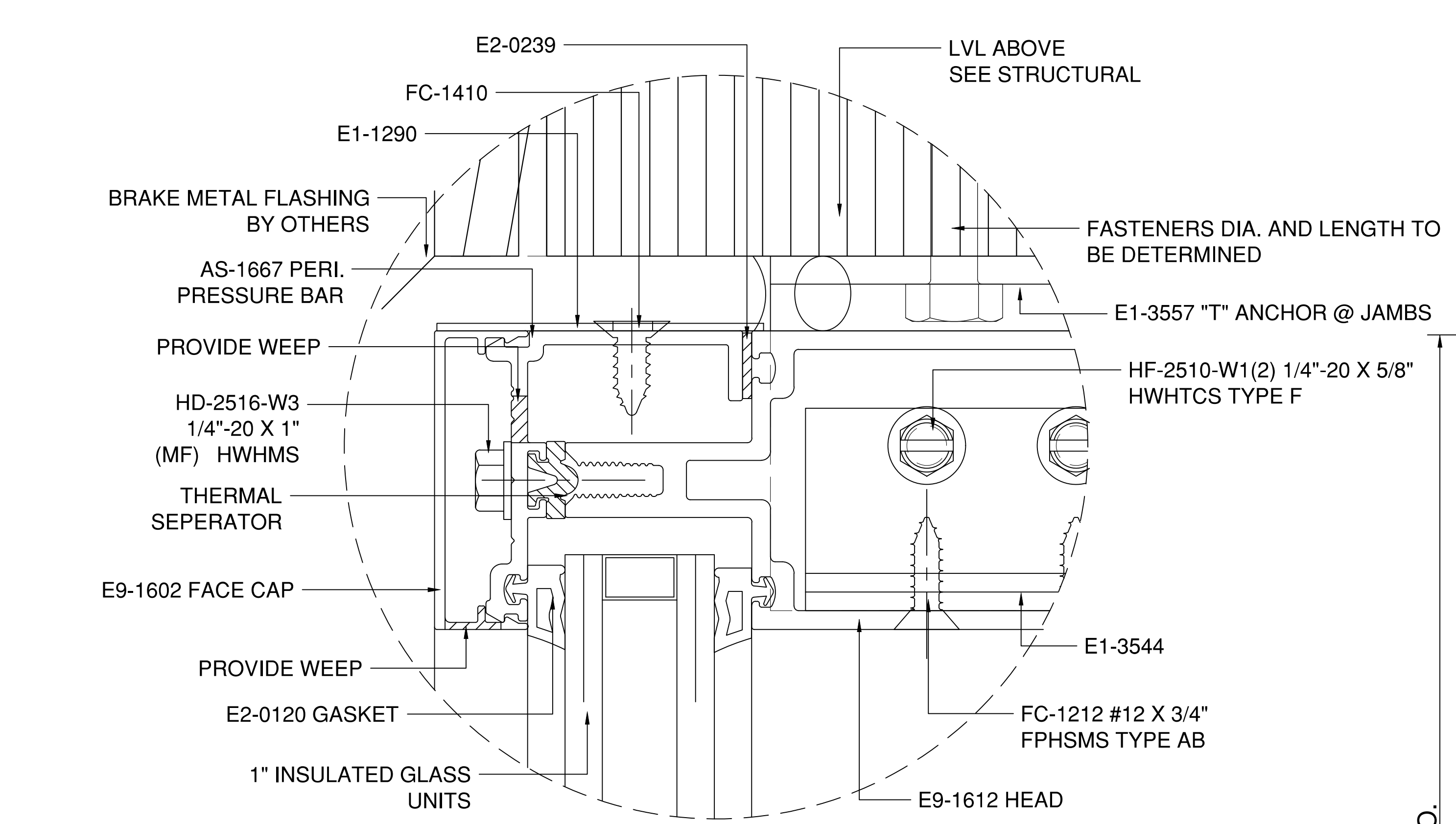
DRAWN BY  
AP

CHECKED BY

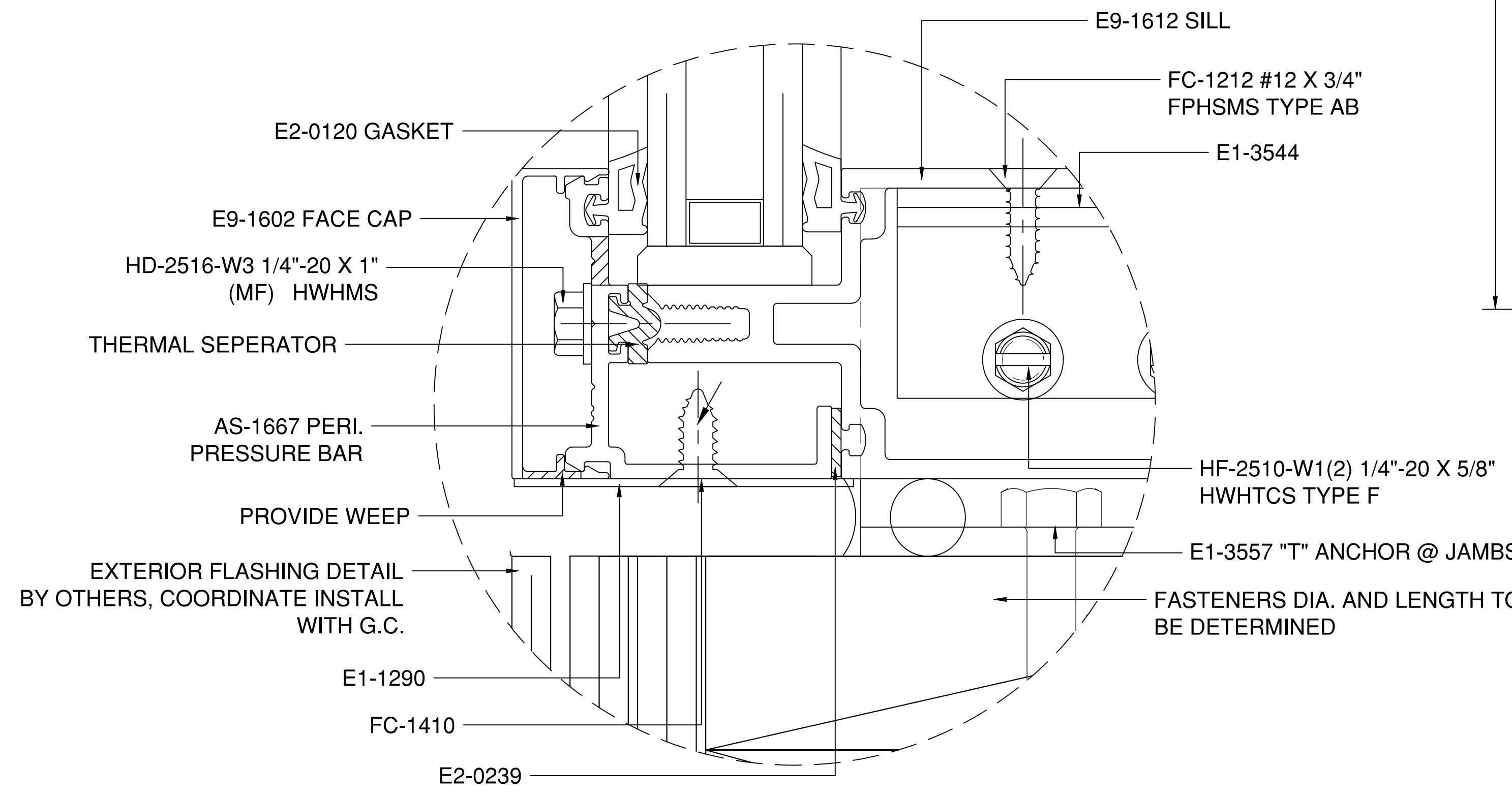
SHEET DESCRIPTION  
DETAILS

SHEET

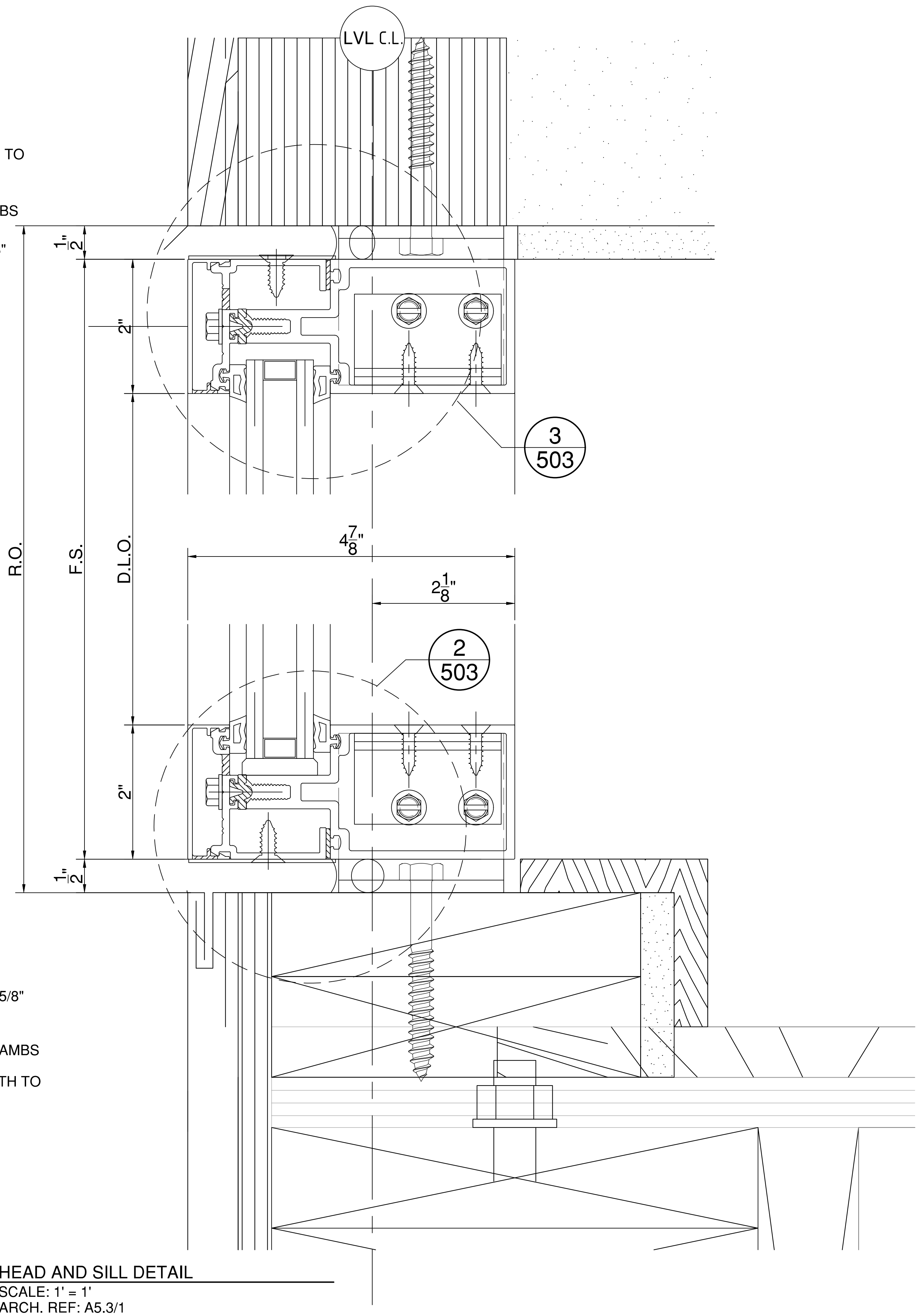
**503**



**3** ENLARGED DETAIL  
**503** SCALE: 1.5X



**2** ENLARGED DETAIL  
**503** SCALE: 1.5X



**1** HEAD AND SILL DETAIL  
**503** SCALE: 1" = 1"  
ARCH. REF: A5.3/1

**RUSSELL  
MOORE  
RESIDENCE**



WWW.CLEARDRAFTINGSOLUTIONS.COM

GLAZING CONTRACTOR

ARCHITECT

THIS DRAWING AND THE INFORMATION ON THIS PAGE ARE PROPERTY OF CLEAR DRAFTING SOLUTIONS AND ITS CLIENT. REPRODUCTION AND DISTRIBUTION OF THIS INFORMATION IS PROHIBITED WITHOUT WRITTEN CONSENT

ISSUE/REVISION

△ REV-1: 09.30.20

PROJECT NAME  
RUSSELL MOORE RESIDENCE

FILE NAME  
RUSSELL RESIDENCE.dwg

SCALE  
1/2" = 1 FT.

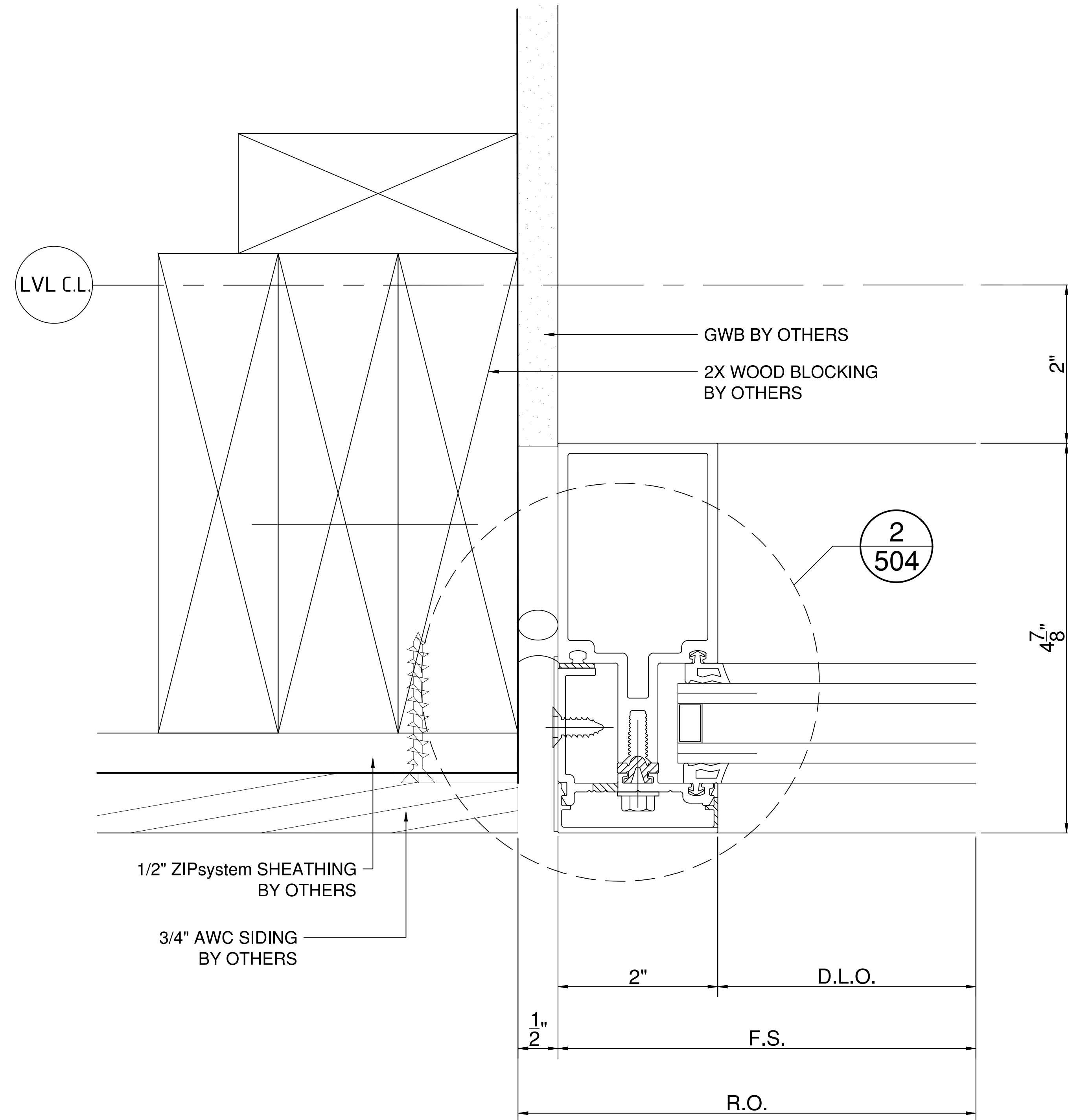
DRAWN BY  
AP

CHECKED BY

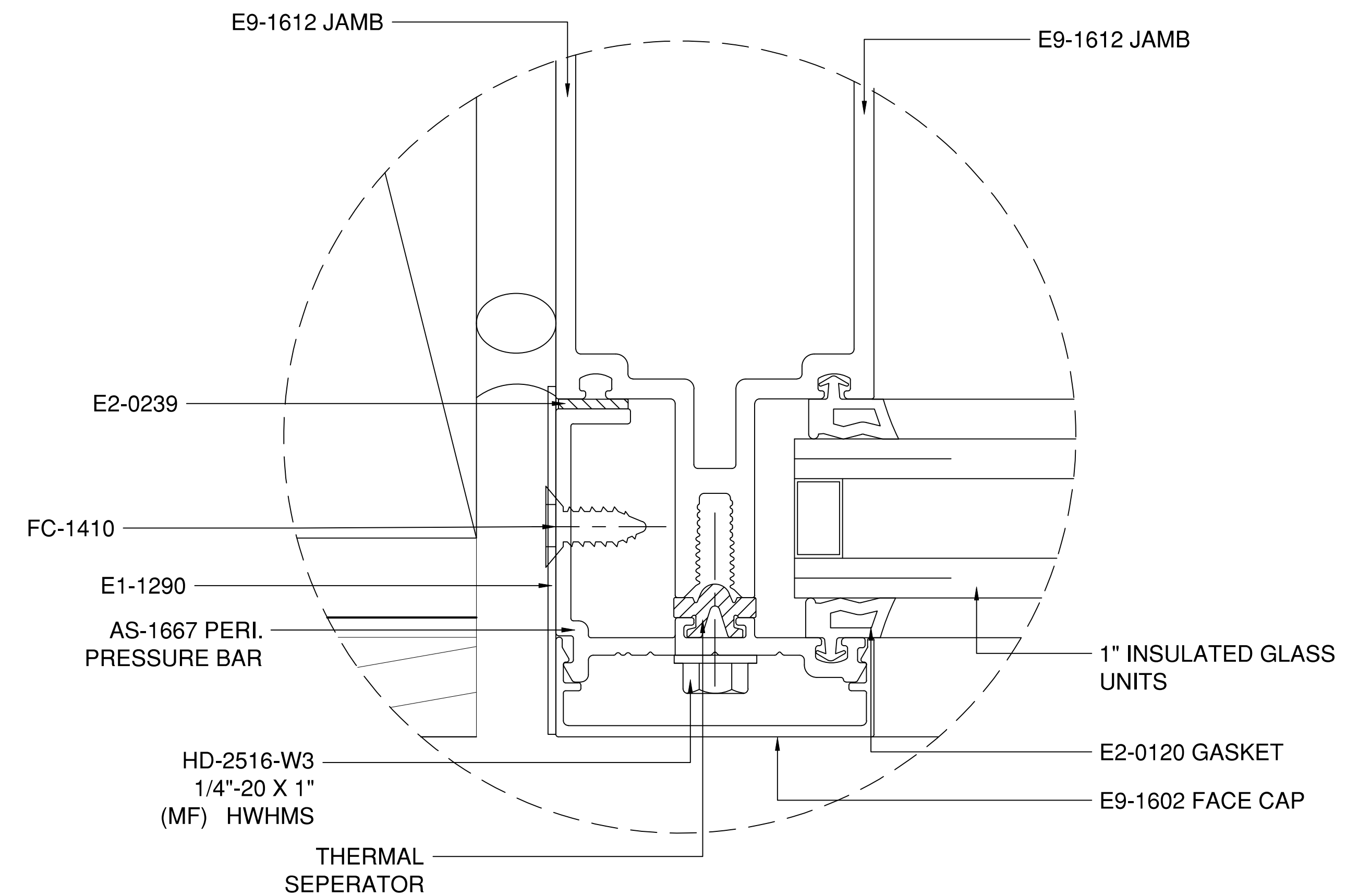
SHEET DESCRIPTION  
DETAILS

SHEET

**504**



**1**  
**504** JAMB DETAIL  
SCALE: 1' = 1'  
ARCH. REF: A2.5/3



**2**  
**504** ENLARGED DETAIL  
SCALE: 1.5X



**RUSSELL  
MOORE  
RESIDENCE**



WWW.CLEARDRAFTINGSOLUTIONS.COM

GLAZING CONTRACTOR

ARCHITECT

THIS DRAWING AND THE INFORMATION ON THIS PAGE ARE PROPERTY OF CLEAR DRAFTING SOLUTIONS AND ITS CLIENT. REPRODUCTION AND DISTRIBUTION OF THIS INFORMATION IS PROHIBITED WITHOUT WRITTEN CONSENT

ISSUE/REVISION

REV-1: 09.30.20

PROJECT NAME  
RUSSELL MOORE RESIDENCE

FILE NAME  
RUSSELL RESIDENCE.dwg

SCALE  
1/2" = 1 FT.

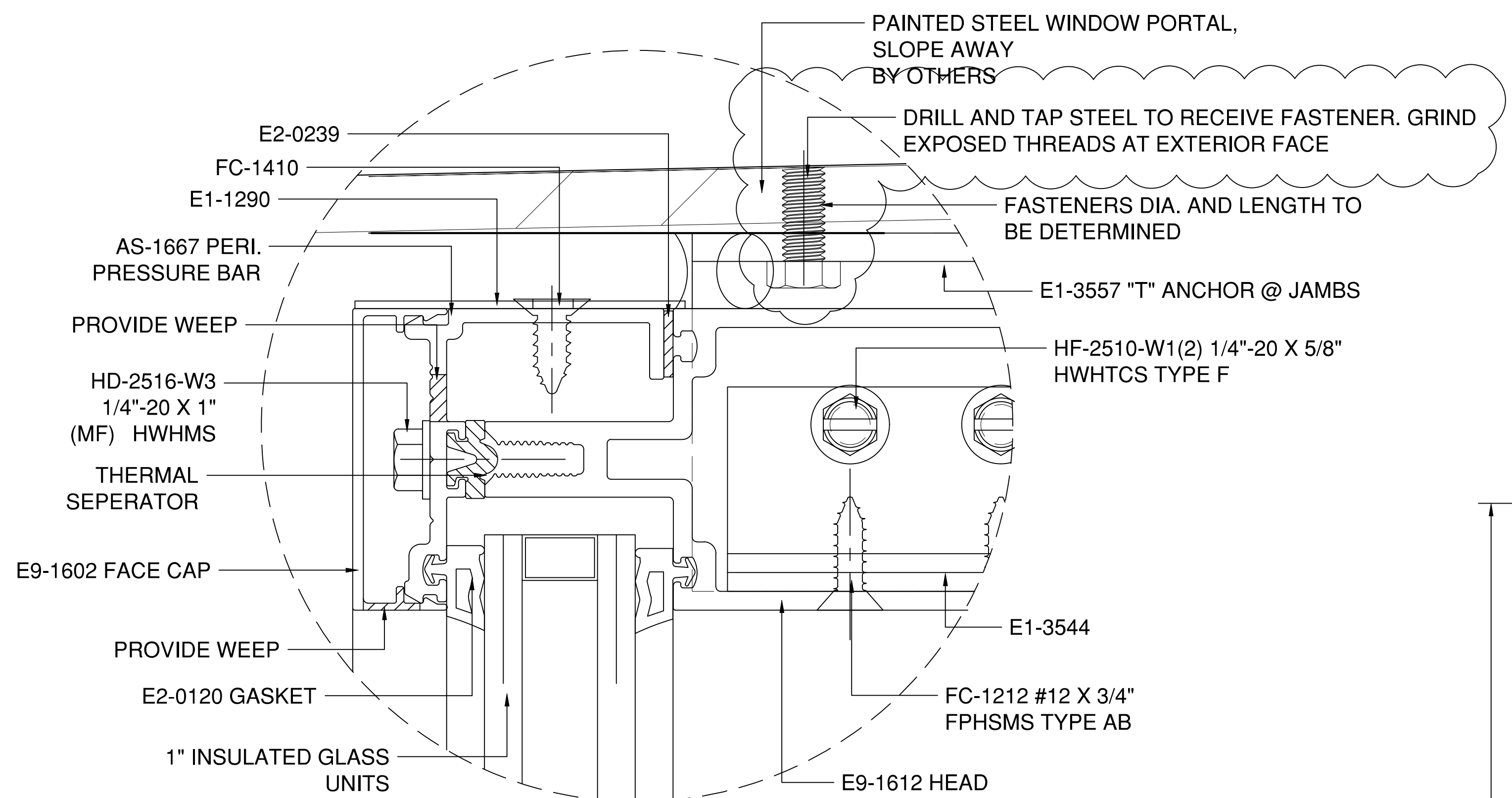
DRAWN BY  
AP

CHECKED BY

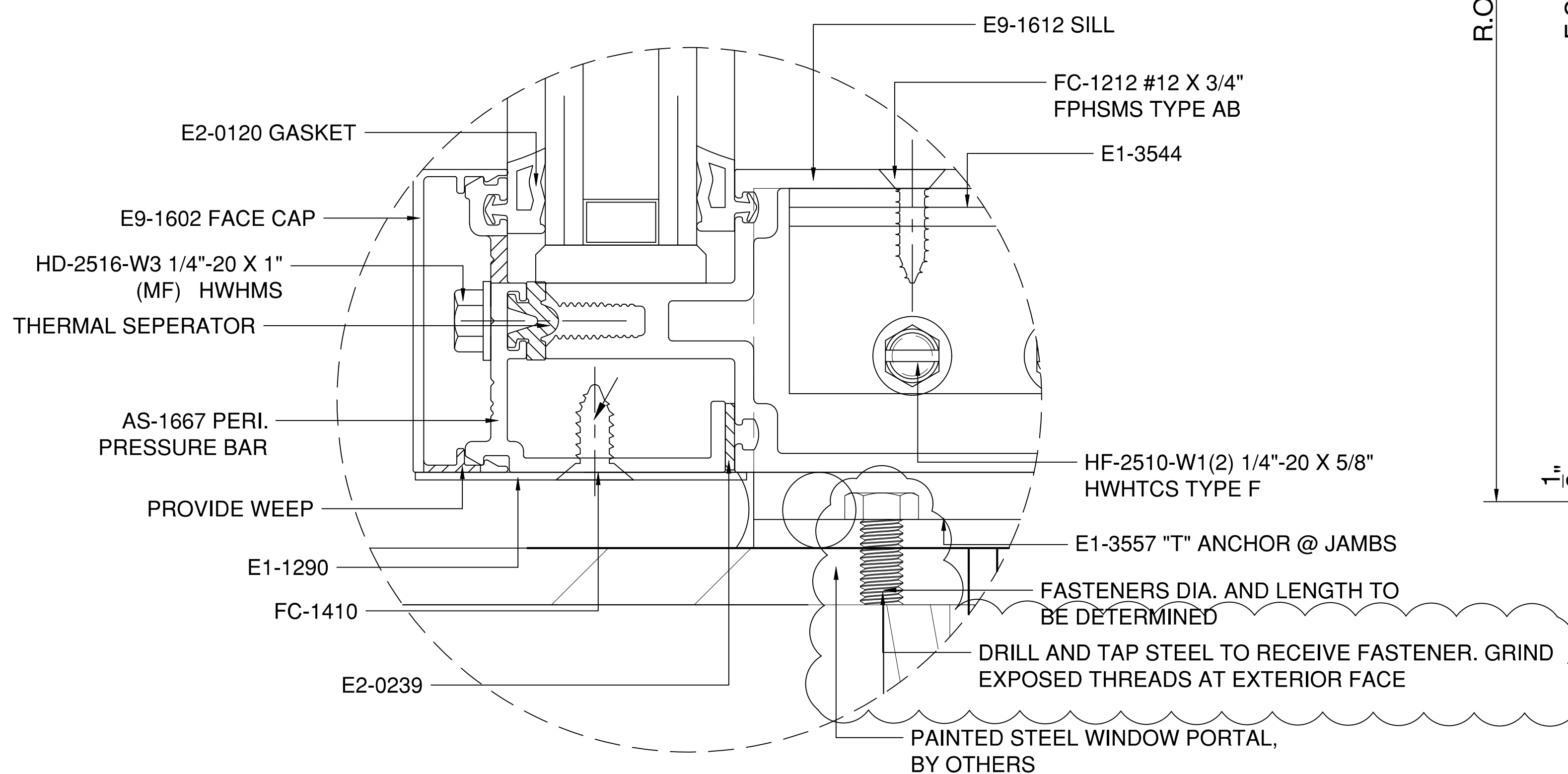
SHEET DESCRIPTION  
DETAILS

SHEET

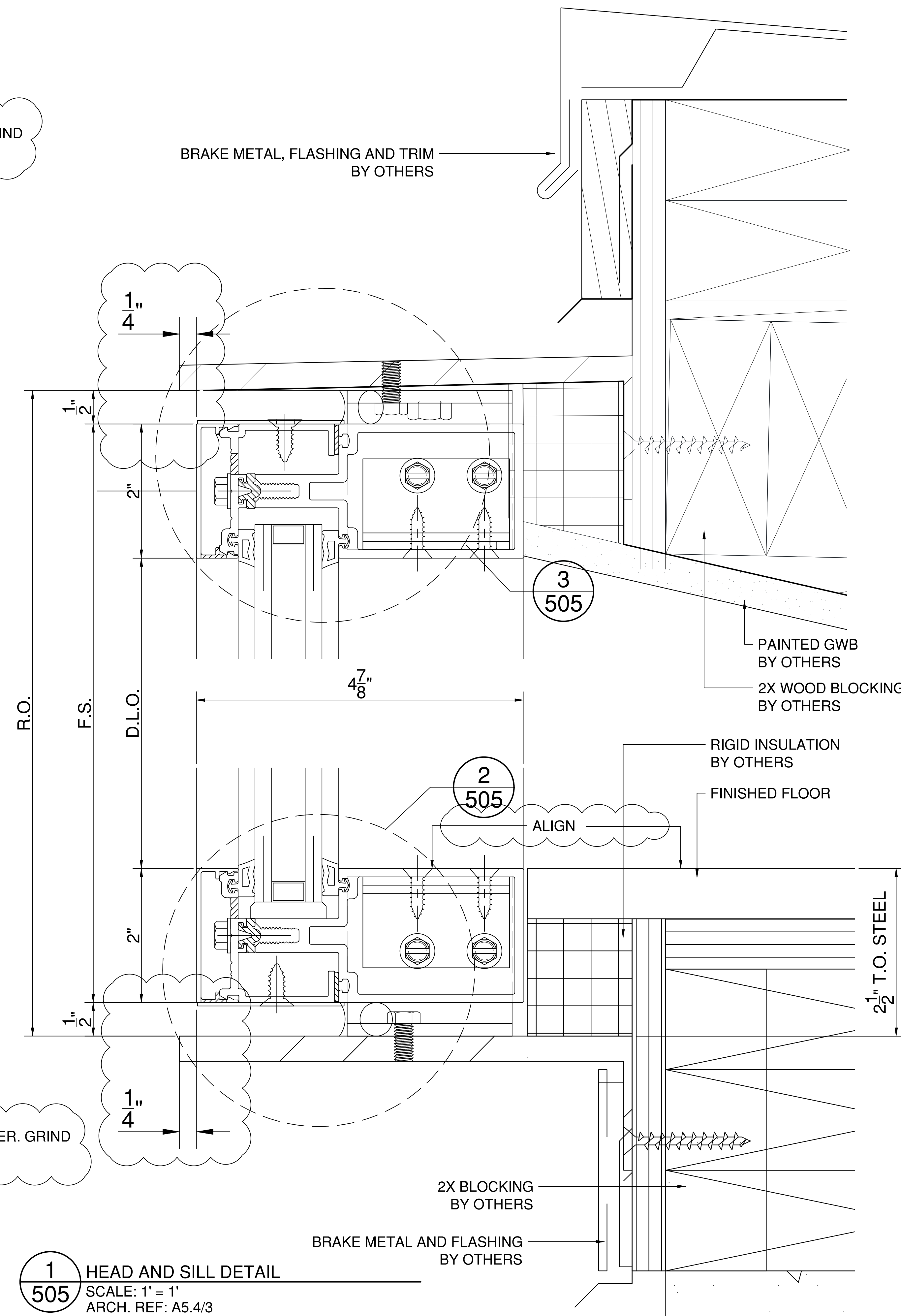
**505**



**3** ENLARGED DETAIL  
**505** SCALE: 1.5X



**2** ENLARGED DETAIL  
**505** SCALE: 1.5X



**1** HEAD AND SILL DETAIL  
**505** SCALE: 1" = 1" ARCH. REF: A5.4/3

**RUSSELL  
MOORE  
RESIDENCE**



WWW.CLEARDRAFTINGSOLUTIONS.COM

GLAZING CONTRACTOR

ARCHITECT

THIS DRAWING AND THE INFORMATION ON THIS PAGE ARE PROPERTY OF CLEAR DRAFTING SOLUTIONS AND ITS CLIENT. REPRODUCTION AND DISTRIBUTION OF THIS INFORMATION IS PROHIBITED WITHOUT WRITTEN CONSENT

ISSUE/REVISION

△ REV-1: 09.30.20

PROJECT NAME  
RUSSELL MOORE RESIDENCE

FILE NAME  
RUSSELL RESIDENCE.dwg

SCALE  
1/2" = 1 FT.

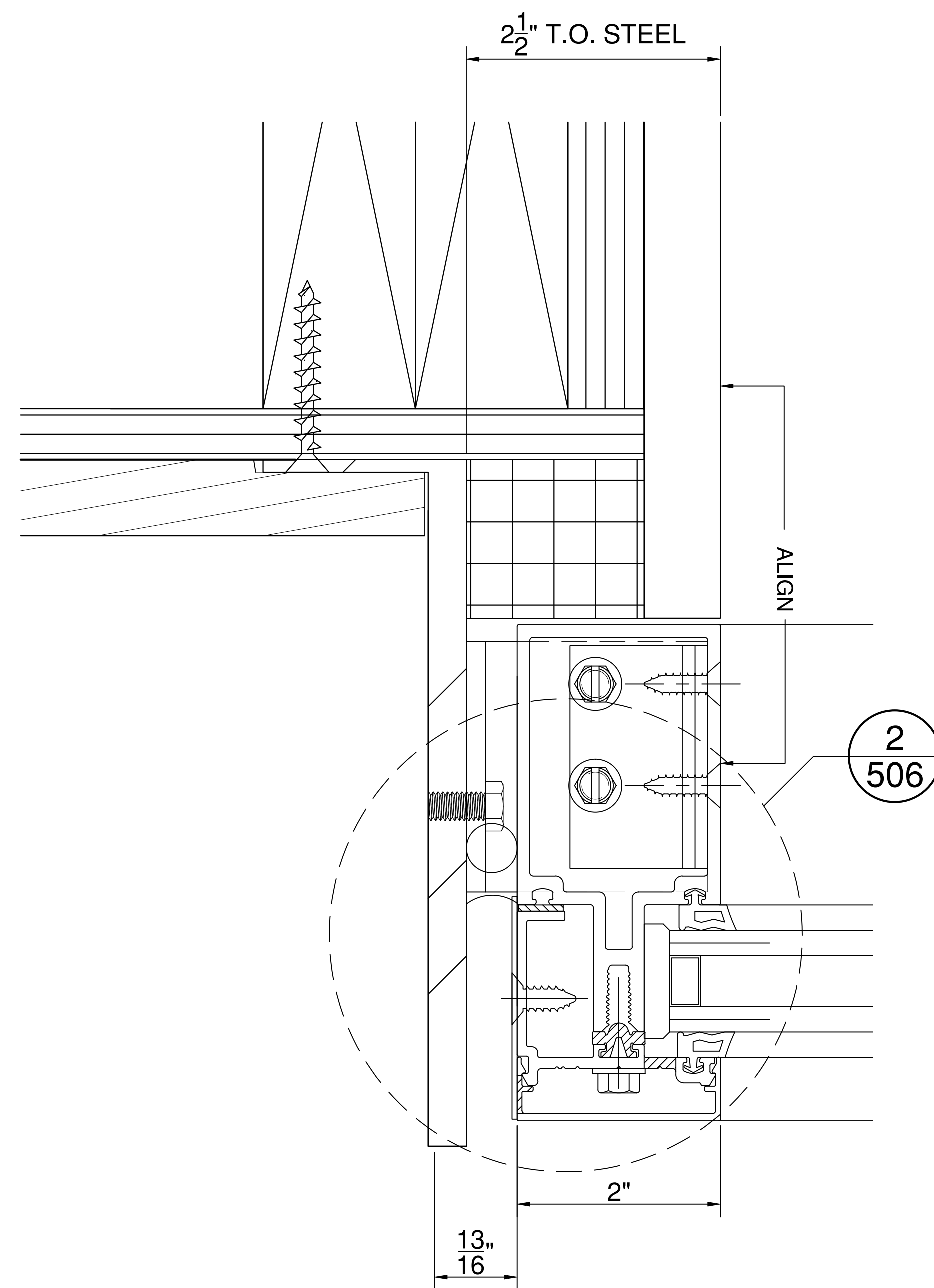
DRAWN BY  
AP

CHECKED BY

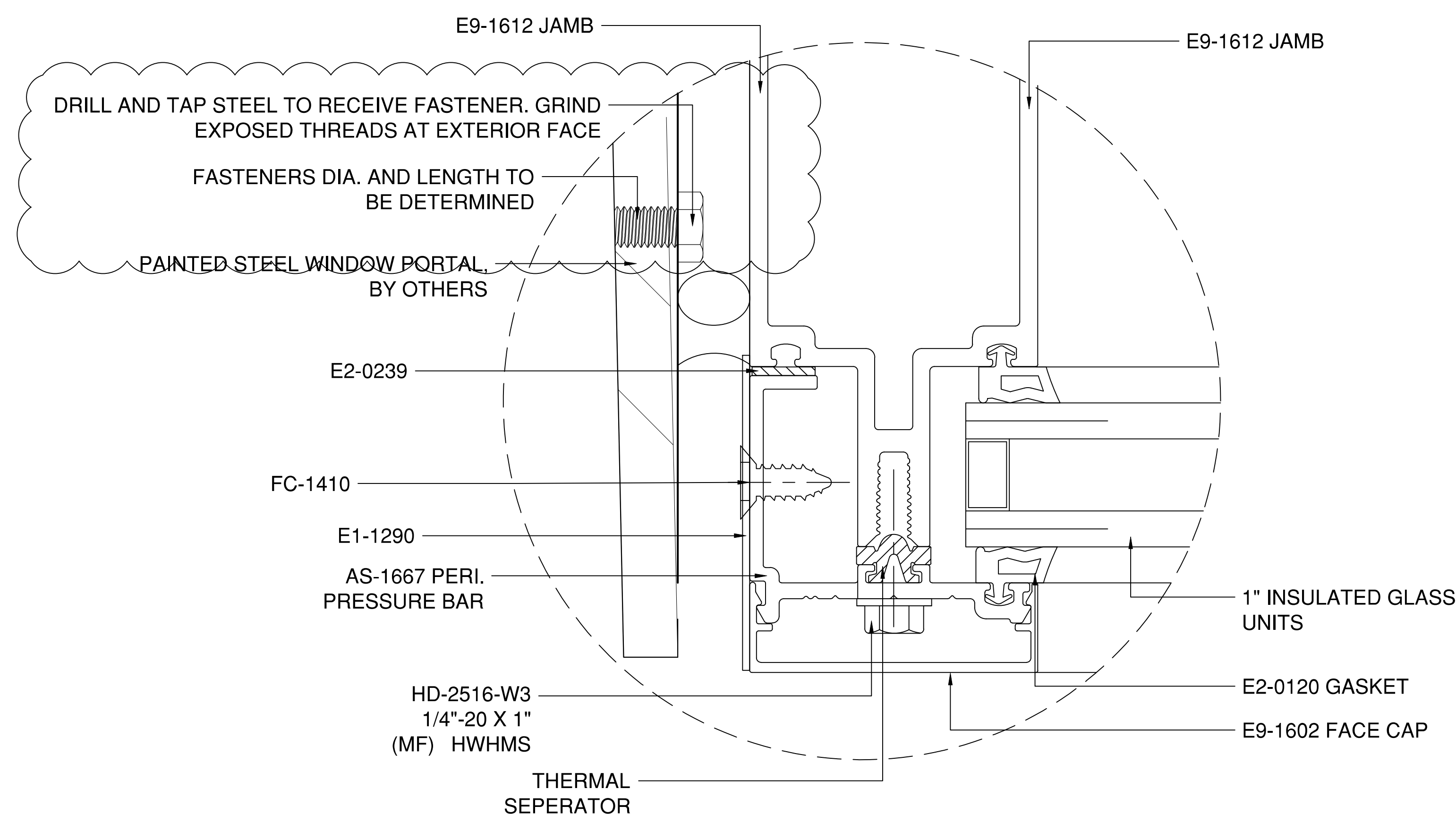
SHEET DESCRIPTION  
DETAILS

SHEET

**506**



**1**  
**506** JAMB DETAIL  
SCALE: 1' = 1'  
ARCH. REF: A2.5/3



**2**  
**506** ENLARGED DETAIL  
SCALE: 1.5X

**RUSSELL  
MOORE  
RESIDENCE**



WWW.CLEARDRAFTINGSOLUTIONS.COM

GLAZING CONTRACTOR

ARCHITECT

THIS DRAWING AND THE INFORMATION ON THIS PAGE ARE PROPERTY OF CLEAR DRAFTING SOLUTIONS AND ITS CLIENT. REPRODUCTION AND DISTRIBUTION OF THIS INFORMATION IS PROHIBITED WITHOUT WRITTEN CONSENT

ISSUE/REVISION

△ REV-1: 09.30.20

PROJECT NAME  
RUSSELL MOORE RESIDENCE

FILE NAME  
RUSSELL RESIDENCE.dwg

SCALE  
1/2" = 1 FT.

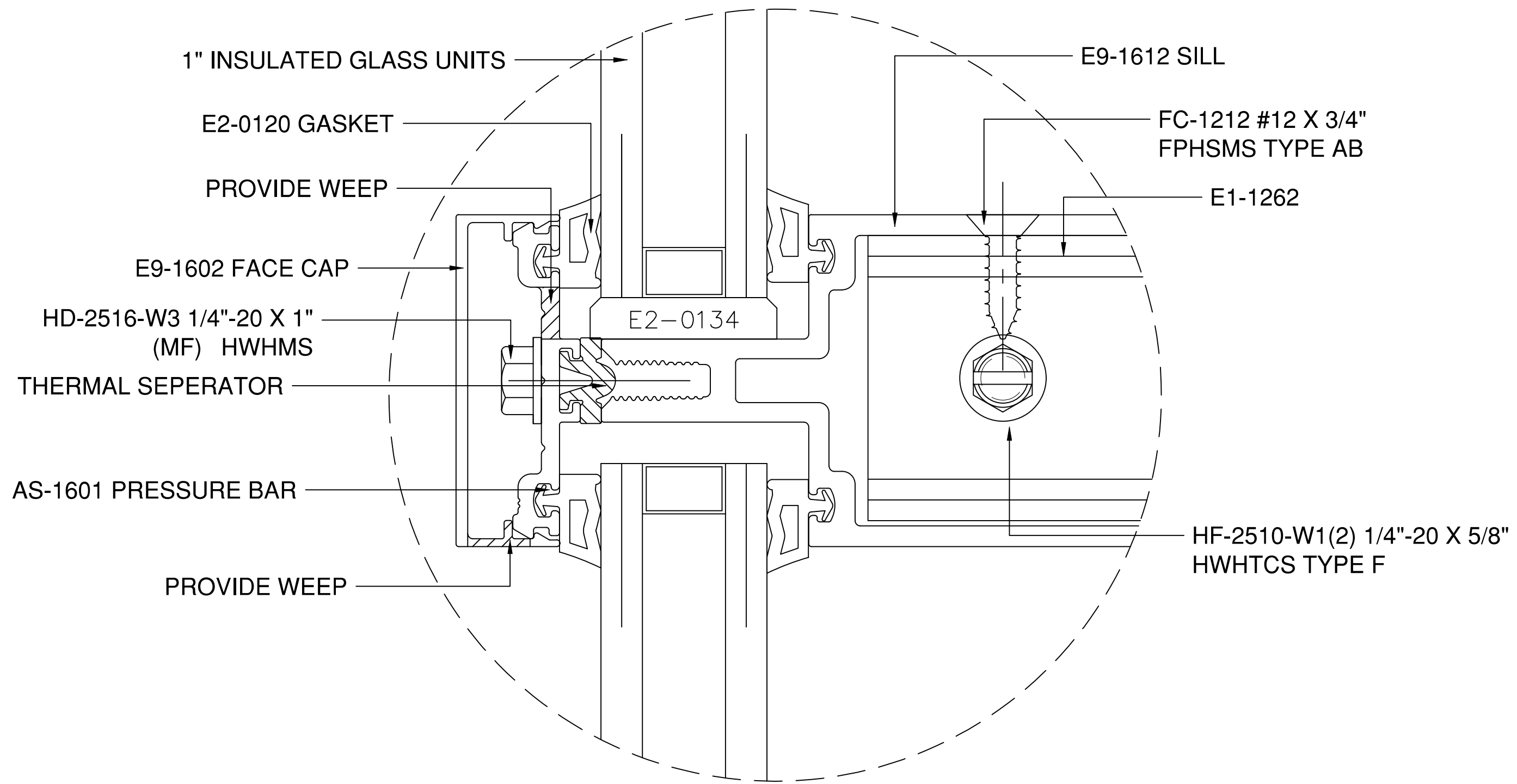
DRAWN BY  
AP

CHECKED BY

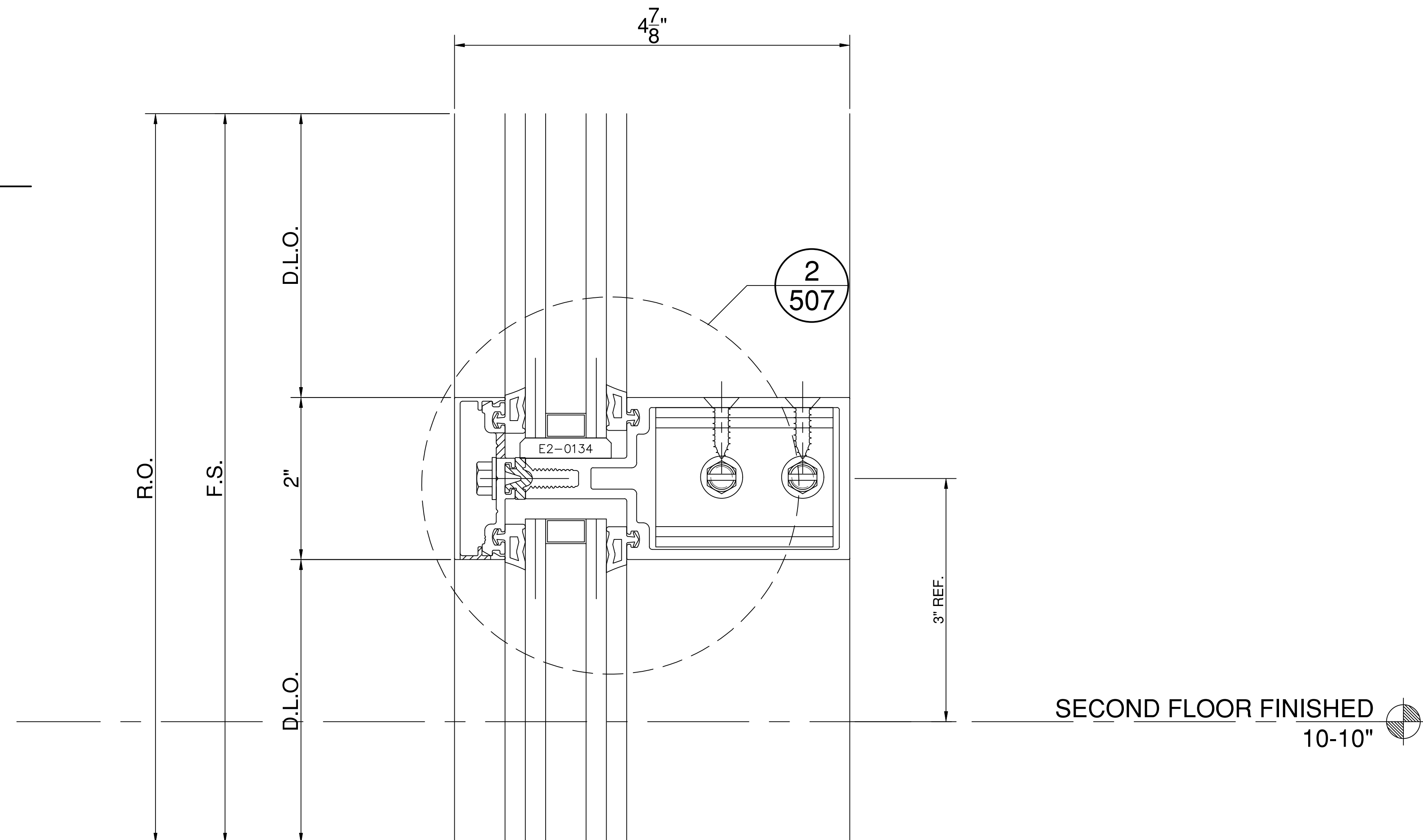
SHEET DESCRIPTION  
DETAILS

SHEET

**507**



**2** ENLARGED DETAIL  
**507** SCALE: 1.5X



**1** HORIZONTAL DETAIL  
**507** SCALE: 1" = 1'  
ARCH. REF: NA