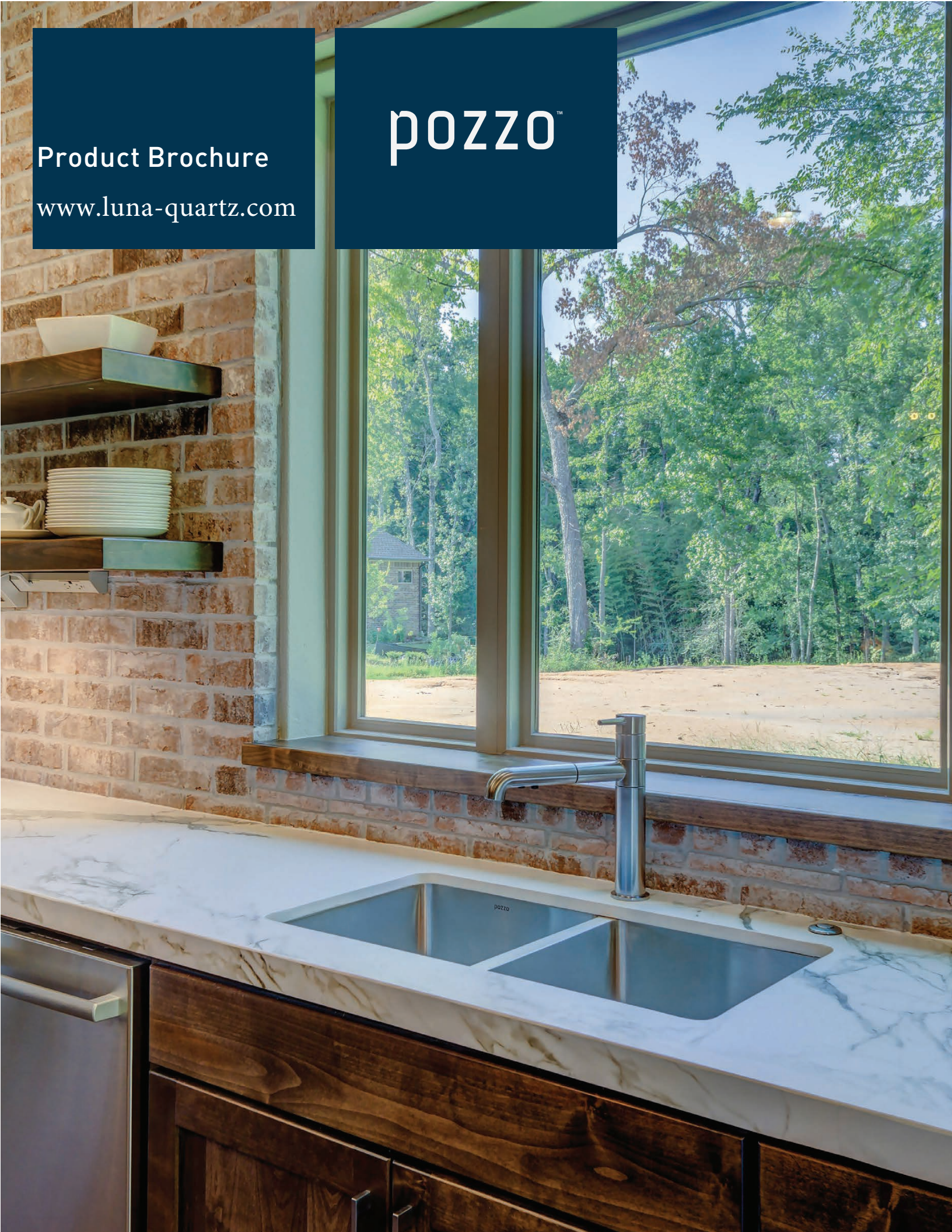


Product Brochure

www.luna-quartz.com

pozzo™



Handcrafted Stainless Steel Sinks

POZZO® undermount kitchen sinks have a simplistic design that is sure to bring sophistication and functionality to your kitchen. Engineered using 16G or 18G premium 304 series stainless steel, all our kitchen sinks are strong and sure to be a part of your kitchen for years to come.

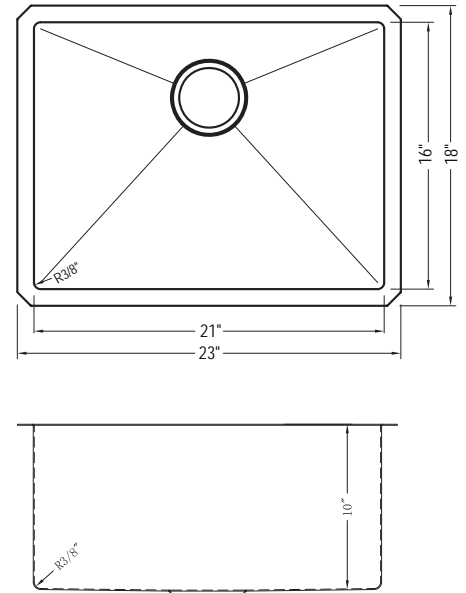
All the sinks feature full undercoating and unique multi-layer padding that work together to reduce sound and vibrations, and prevent condensation. POZZO® sinks are resistant to rust and stays strong for years. Thanks to the distinctive 10mm radius corners, our kitchen sinks are both stylish and functional.

POZZO® kitchen sink features a commercial-grade satin finish that is scratch resistant and does not fade away easily. It is also acid resistant that makes it food safe and drip-free to eliminate mess.

pozzo™



PS-101



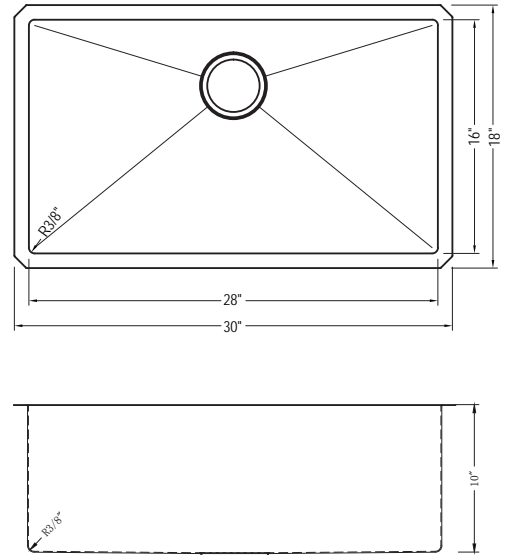
Features

- Manufactured with 16-gauge premium 304 Series stainless steel construction
- Mounting hardware included
- ADA 5" Deep Bowl Available
- Distinctive 10mm radius corners design for convenient functionality and stylish look
- Cutout template provided for 1/8" reveal or flush installation
- Commercial grade premium scratch resistant stainless steel finish
- Fully undercoated and padded with unique multi-layer, sound-eliminating technology, which also prevents condensation

Weights & Dimensions

Basin (W x L)	21" x 16"
Overall Sink Depth - Top to Bottom	10"
Overall Length - Side to Side	23"
Overall Width - Front to Back	18"
Drain Connection Diameter	3.5"

PS-102



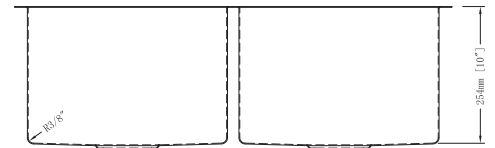
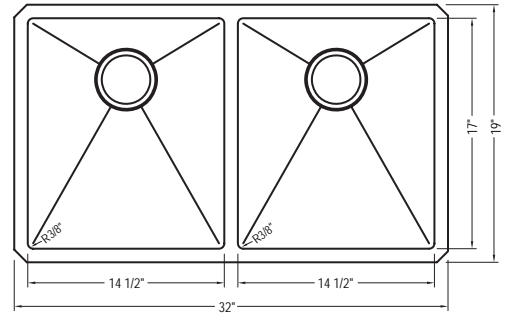
Features

- Manufactured with 16-gauge premium 304 Series stainless steel construction
- Mounting hardware included
ADA 5" Deep Bowl Available
- Distinctive 10mm radius corners design for convenient functionality and stylish look
- Cutout template provided for 1/8" reveal or flush installation
- Commercial grade premium scratch resistant stainless steel finish
- Fully undercoated and padded with unique multi-layer, sound-eliminating technology, which also prevents condensation

Weights & Dimensions

Basin (W x L)	28" x 16"
Overall Sink Depth - Top to Bottom	10"
Overall Length - Side to Side	30"
Overall Width - Front to Back	18"
Drain Connection Diameter	3.5"

PS-103



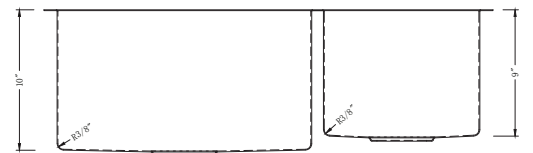
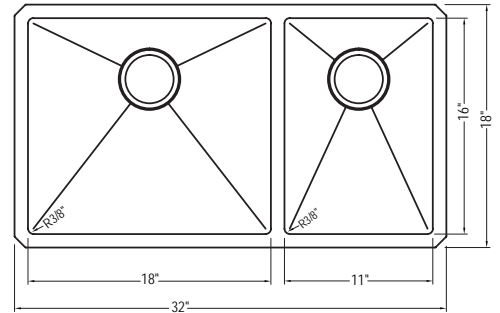
Features

- Manufactured with 16-gauge premium 304 Series stainless steel construction
- Mounting hardware included
ADA 5" Deep Bowl Available
- Distinctive 10mm radius corners design for convenient functionality and stylish look
- Cutout template provided for 1/8" reveal or flush installation
- Commercial grade premium scratch resistant stainless steel finish
- Fully undercoated and padded with unique multi-layer, sound-eliminating technology, which also prevents condensation

Weights & Dimensions

Basin (W x L)	Left Bowl: 14 1/2" x 17"	Right Bowl: 14 1/2" x 17"
Overall Sink Depth - Top to Bottom	10"	
Overall Length - Side to Side	32"	
Overall Width - Front to Back	19"	
Drain Connection Diameter	3.5"	

PS-104



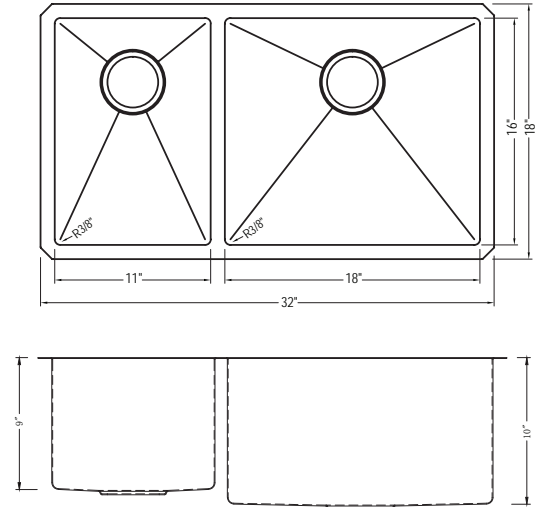
Features

- Manufactured with 16-gauge premium 304 Series stainless steel construction
- Mounting hardware included
- ADA 5" Deep Bowl Available
- Distinctive 10mm radius corners design for convenient functionality and stylish look
- Cutout template provided for 1/8" reveal or flush installation
- Commercial grade premium scratch resistant stainless steel finish
- Fully undercoated and padded with unique multi-layer, sound-eliminating technology, which also prevents condensation

Weights & Dimensions

Basin (W x L)	Left Bowl: 18" x 16"	Right Bowl: 11" x 16"
Overall Sink Depth - Top to Bottom	Left Bowl: 10"	Right Bowl: 9"
Overall Length - Side to Side	32"	
Overall Width - Front to Back	18"	
Drain Connection Diameter	3.5"	

PS-105



Features

- Manufactured with 16-gauge premium 304 Series stainless steel construction
- Mounting hardware included
- ADA 5" Deep Bowl Available
- Distinctive 10mm radius corners design for convenient functionality and stylish look
- Cutout template provided for 1/8" reveal or flush installation
- Commercial grade premium scratch resistant stainless steel finish
- Fully undercoated and padded with unique multi-layer, sound-eliminating technology, which also prevents condensation

Weights & Dimensions

Basin (W x L)	Left Bowl: 11" x 16" Right Bowl: 18" x 16"
Overall Sink Depth - Top to Bottom	Left Bowl: 9" Right Bowl: 10"
Overall Length - Side to Side	32"
Overall Width - Front to Back	18"
Drain Connection Diameter	3.5"



