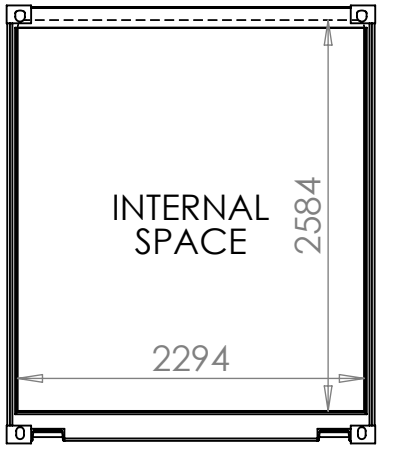
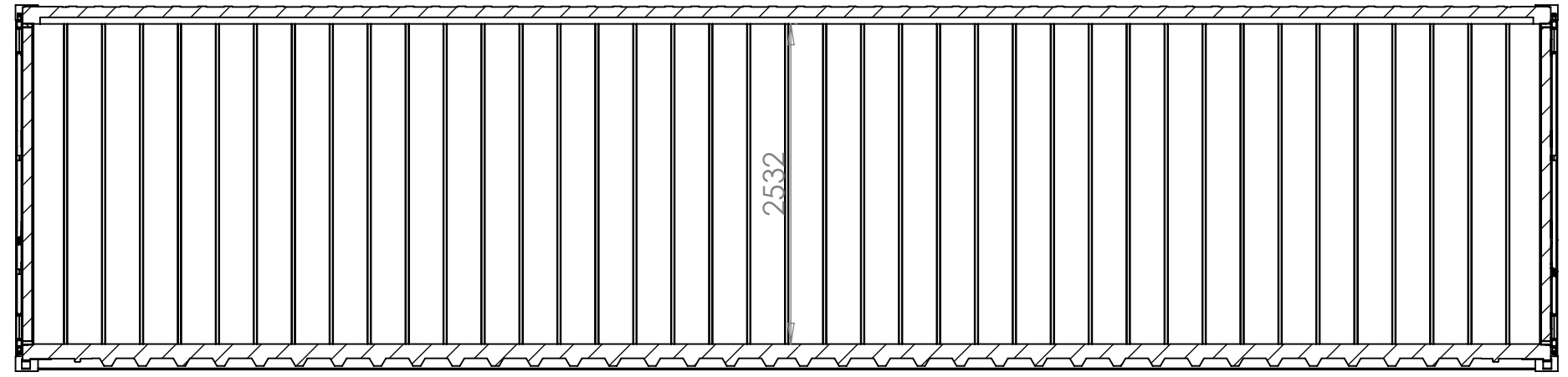
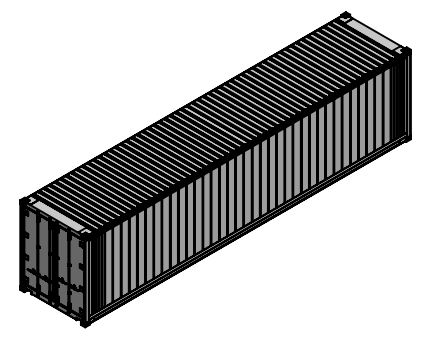
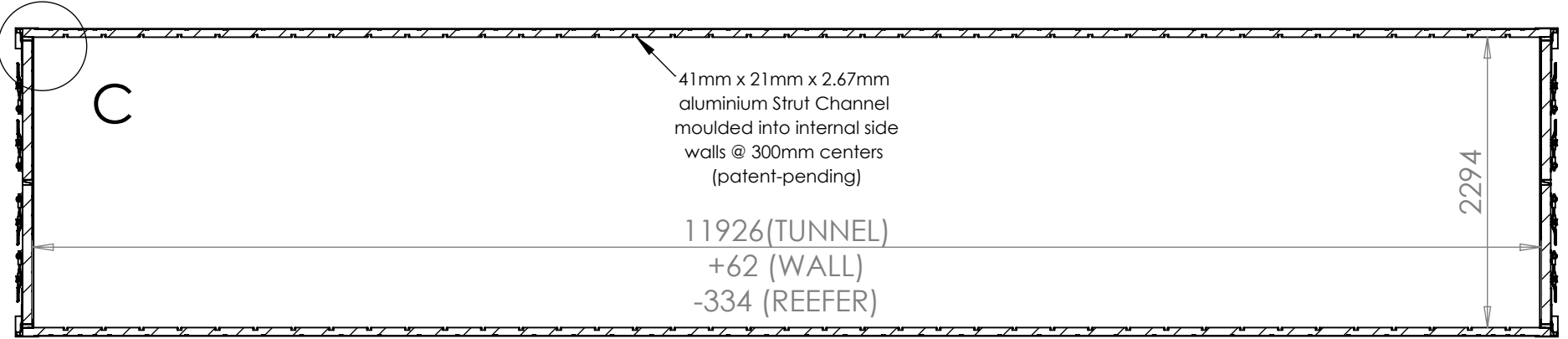
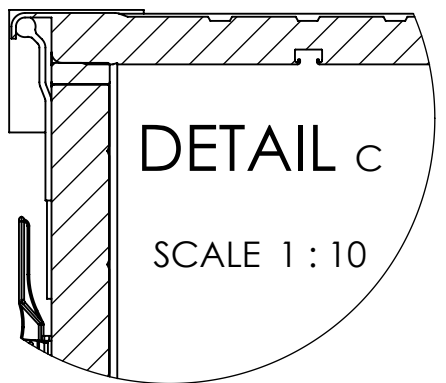


8 7 6 5 4 3 2 1

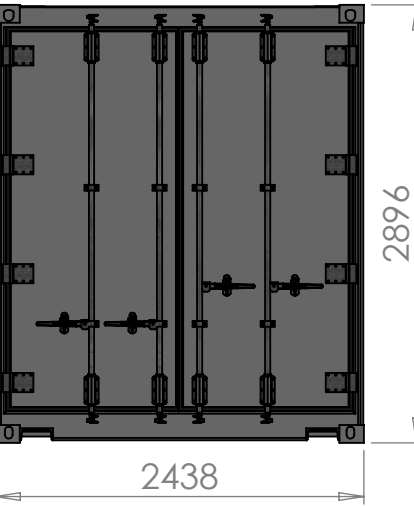
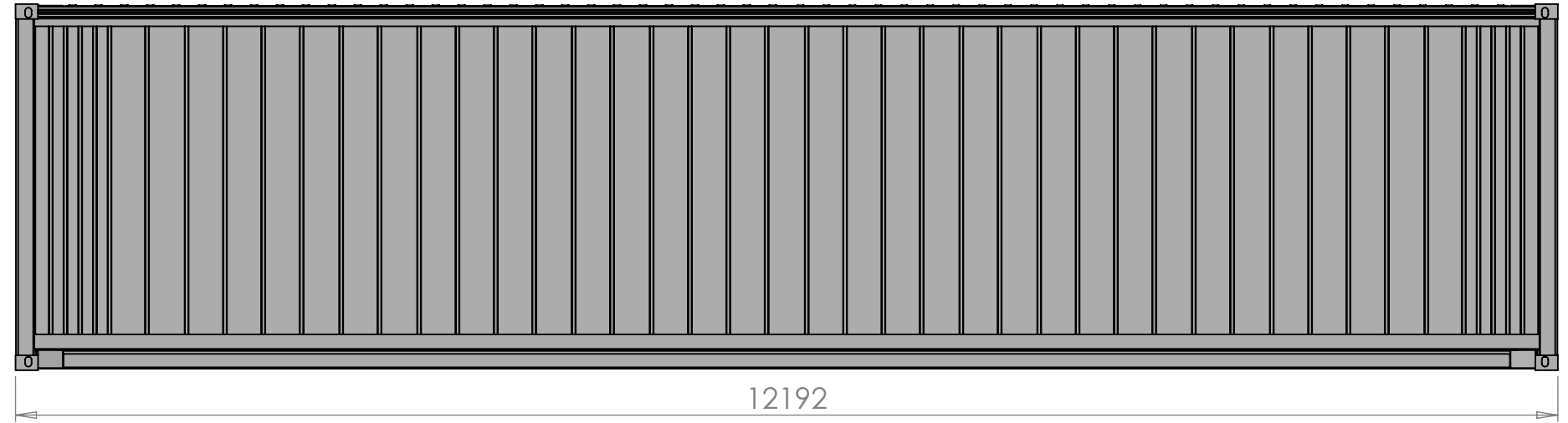
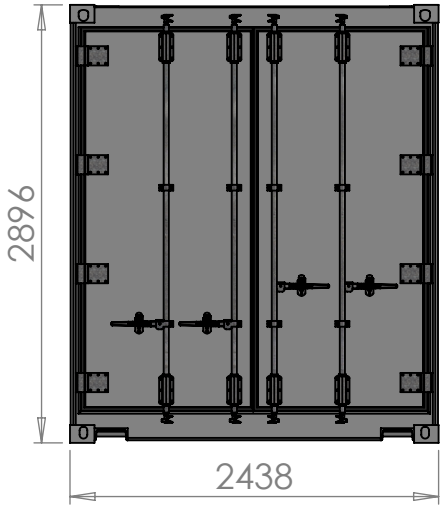


3/4 locking bar options

REAR

FRONT

door/wall/reefer options



CONVERSION CONTAINERS

INSULATION DESIGN: Polyurethane (PUR) foam with Cyclopentane (non-CFC) blowing agent: λ = 0.022 W/m.K

LOCATION	Thickness mm	U-Value W/m².K	R-Value (SI) K.m²/W	R-Value (I-P) °F.ft².h/BTU	R-Value (I-P) per inch
ROOF	80	0.275	3.636	20.655	6.558
WALL	58	0.379	2.636	14.975	6.558
FLOOR	113	0.196	5.114	29.045	6.558
DOOR	74	0.297	3.364	19.105	6.558

NOTE: Imperial expressed R-Values (e.g. USA) are a factor of 5.68 x Metric R-Values (e.g. Europe)

CLASSIFICATION		DIMENSION	
EXTERNAL	LENGTH	12,192 mm (+0/-6)	40 ft
	WIDTH	2,438 mm (+0/-5)	8 ft
	HEIGHT	2,896 mm (+0/-5)	9ft 6in
INTERNAL	LENGTH	11,926 mm (+0/-12)	
	WIDTH	2,294 mm (+0/-10)	
	HEIGHT	2,567 mm (+0/-10)	
DOOR OPENING	WIDTH	2,294 mm (+0/-10)	
	HEIGHT	2,519 mm (+0/-10)	
CARGO ACCESS HEIGHT		2,515 mm (+0/-10)	
INTERNAL CUBIC CAPACITY		70.2 m³	2,480 ft³
MAX. GROSS WEIGHT		34,000 kg	74,960 lbs
TARE WEIGHT (±2%)		4,600 kg	10,140 lbs
MAX. PAYLOAD		29,400 kg	64,820 lbs
STACKING TEST LOAD		97,200 kgf/post	214,290 lbf/post
FLOOR STRENGTH		7,260 kg	16,000 lbs
HEAT LEAKAGE (U20)		45.9 W/K	39.5 kcal/hr°C
AIR LEAKAGE (1" WGP)		5.0 m³/h	176.6 ft³/hr

PART NAME		MATERIAL	REMARK
FRAME	SIDE TOP RAIL	SPA-H	4.0 mm
	SIDE BOTTOM RAIL	SPA-H	4.0 mm
	END FRAME	SPA-H	3.0/4.0/6.0 mm
	FORK POCKET	SPA-H	4.0 mm
PANEL	ROOF		MGSS 0.8 & 1.0mm
	SIDE		MGSS 1.0 mm
	DOOR		MGSS 1.6 mm
	SUB-FLOOR	MAIN	SPA-H 1.6 mm
		ROOF	AA5052-H16/H46 0.8 mm
	INSIDE LINING	SIDE	AA6061-T6 2.67 mm
		DOOR	BN4 or eq. SS 0.7 mm
	FLOOR (FLAT)		AA6061-T6 H30
CORNER FITTING		SCW480 H118 x W162 x L178	
INSULATION		POLYURETHANE 0.022 W/m.k	
DOOR HARDWARE		HOT DIP GALVANIZED STEEL	

DRAWN: Niall McDermott DATE: 2024-09-29

UNLESS OTHERWISE SPECIFIED:
DIMENSIONS IN MILLIMETERS

TITLE
40ft ISO Insulated Shipping Container
with integrated Strut Channel framing

General Arrangement Drawing

DWG NO. SCP40896HT REVISION: B

A3 SHEET SCALE: 1:50 SHEET 1 OF 1

8 7 6 5 4 3 2 1