

3½+ DIGITS NEMA 4X LOOP-POWERED PROCESS METER

SURVIVOR • MODEL PD662



Survivor

FEATURES

- 4-20 mA Input
- 3½+ Digit 0.6" Display
- Easy Four-Button Programming
- NEMA 4X Enclosure
- Programmable Noise Filter
- Loop-Powered Backlight Option
- Max/Min Display
- HART Protocol Transparent
- 1.7 V Drop without Backlight
- CSA Certified for -40 to 75°C Operation (-55 to 75°C with Heater Option)

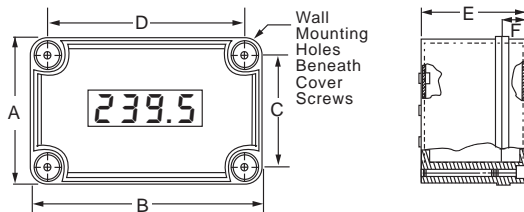
INTRODUCTION

The PD662 NEMA 4X, CSA Certified loop-powered meter is perfect for applications where a simple, inexpensive display is required and AC power is not available. The PD662 derives all its power from the 4-20 mA loop. The PD662 is scaled using four push buttons and can be done without applying an actual calibration signal. The PD662's display will read up to 2999; we call this 3½+ digits! The loop-powered backlighting option lets you see the display under any lighting condition and is powered completely from the 4-20 mA loop. This means there is no need for additional wiring and never any batteries to change. The PD662 is housed in a rugged NEMA 4X enclosure and is provided with one ½" NPT pipe conduit hole. The PD662 is also available with an optional DC-powered heater that allows the PD662 to operate in temperatures as low as -55°C.



Actual Size Digits

DIMENSIONS



Units: Inches (mm)

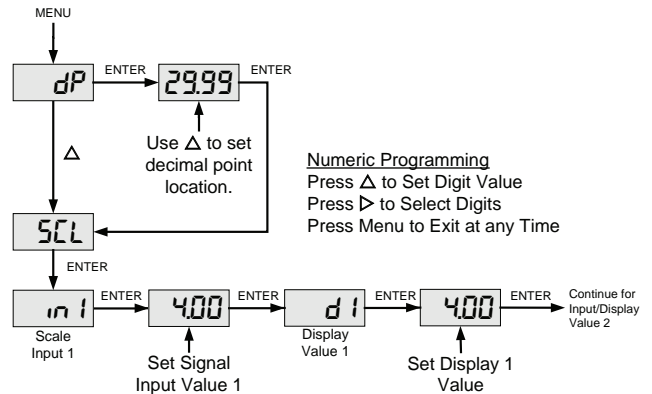
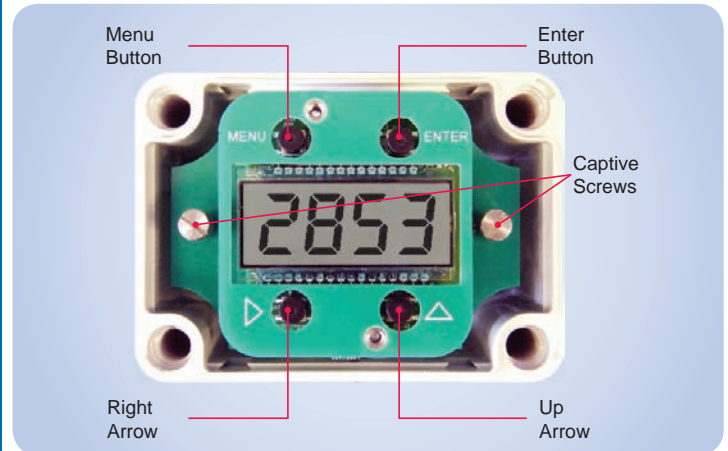
A: 3.15 (80) C: 2.44 (62) E: 2.76 (70); 3.35 (85) with heater option
 B: 4.33 (110) D: 3.62 (92) F: 0.79 (20); 1.38 (35) with heater option

QUICKSTART

The PD662 is designed to be easily wired into your current loop and quickly programmed.

Programming

The PD662 Survivor comes calibrated and scaled at the factory to display a 4.00 to 20.00 mA signal on startup. To change the scaling, follow along using the 4 button interface.



PD662 Menu Progression

SPECIFICATIONS

Except where noted all specifications apply to operation at +25°C.

General

- Display:** 0.6" (15.24 mm) LCD, 3½+ digits; -1999 to 2999
- Display Update Rate:** 2 Updates/Second
- Over-Range:** Display Flashes 2999
- Under-Range:** Display Flashes -1999
- Programming Method:** 4 Front Panel Pushbuttons
- Noise Filter:** Programmable HI, LOW, or OFF
- Recalibration:** Recalibration is recommended at least every 12 months.
- Max/Min Display:** Max/Min readings reached by the process are stored until reset by the user or until power to the meter is turned off.
- Non-Volatile Memory:** All programmed settings are stored in non-volatile memory for a minimum of ten years if power is lost.
- Normal Mode Rejection:** 64 dB at 50/60 Hz
- Environmental:** Operating Temperature for CSA Certification: -40 to 75°C. Functional Temperature Range: -40 to 85°C. Storage Temp.: -40 to 85°C. Relative Humidity: 0 to 90% non-condensing.
- Connections:** Removable screw terminals accept 12 to 22 AWG
- Tightening Torque:** Screw terminal connectors: 4.5 lb-in (0.5 Nm)
- Enclosure:** Impact-resistant polyester plastic, body color gray, clear cover with blue faceplate; NEMA 4X, IP66; ½" conduit hole provided at base
- Weight:** 9.3 oz (264 g)
- Overall Dimensions:** 3.15" x 4.33" x 2.76" (80 mm x 110 mm x 70 mm) (W x H x D)
- Warranty:** 3 years parts & labor

Input

- Input:** 4-20 mA
- Accuracy:** ±1 count
- Temperature Drift:** 50 PPM/°C from -40 to 85°C ambient
- Decimal Point:** User selectable decimal point
- Minimum Span:** Input 1 & Input 2: 0.40 mA
- Maximum Voltage Drop:** 1.7 VDC @ 20 mA; 3.7 VDC @ 20 mA with backlight option.
- Equivalent Resistance:** 85 Ω @ 20 mA without backlight; 185 Ω @ 20 mA with backlight
- Loop-Powered Backlight Option:** Factory installed only with field wiring option. Powered directly from the 4-20 mA loop, no batteries required. The display brightness will increase as the input signal current increases.

Heater Option

- Power:** 24 VDC, 11 W Maximum.
- Required Switch & Fuse: A CSA Approved fuse rated min 30 VDC, 1 A, T and a readily accessible switch or a circuit breaker shall be provided to facilitate the disconnection of power to the heater.
- Environmental:** Operating Temperature for CSA Certification: -55 to 75°C. Functional Operation: -55 to 85°C. Storage Temperature: -55 to 85°C. Relative Humidity: 0 to 90% non-condensing.
- Temperature Cutoff:** Internal 104°C thermal cutoff for over temperature protection.

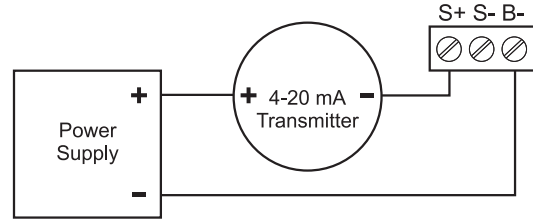
CSA Certification

- CSA Certified:** U.S. & Canada. 2252 05 – Process Control Equipment. 2252 85 – Process Control Equipment, U.S. Standards.
- CSA File Number:** 157123
- CSA Applicable Requirements:** CAN/CSA C22.2 No. 61010-1-04 Safety Requirements for Electrical Equipment for Measurement, Control, and Laboratory Use – Part 1: General Requirements UL 61010-1:2004, 2nd Edition Safety Requirements for Electrical Equipment for Measurement, Control, and Laboratory Use – Part 1: General Requirements.

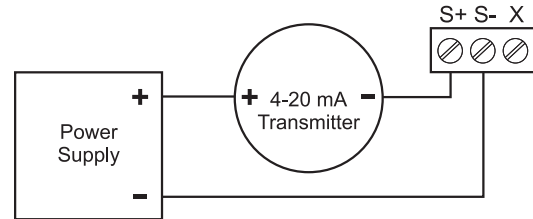
Disclaimer

The information contained in this document is subject to change without notice. Precision Digital Corporation makes no representations or warranties with respect to the contents hereof, and specifically disclaims any implied warranties of merchantability or fitness for a particular purpose. ©2010 Precision Digital Corporation. All rights reserved.

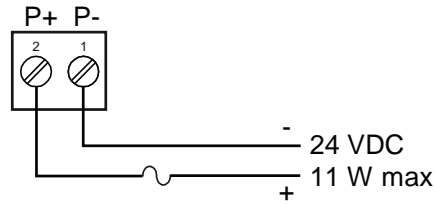
CONNECTIONS



PD662 Input Connections with Backlight



PD662 Input Connections without Backlight



PD662 Heater Connections

ORDERING INFORMATION

Survivor • Model PD662 Loop-Powered Process Meter	
Model	Options Installed
PD662-0L0-00*	None
PD662-0K0-00	Backlight
PD662-0L0-A0	Heater
PD662-0K0-A0	Backlight + Heater

* Quick Shipment Program product, typically shipped within 2 working days

Accessories	
Model	Description
PDA6624	Panel Mounting Kit
PDA6845	2" Pipe Mounting Kit



Your Local Distributor is:

LDS662_C 09/10