

OmniBeacon™

ALARM LIGHT

WITH CELLULAR TRANSMITTER AND SIREN

USER GUIDE

GUARDDOG VERSION

*Copyright 2016, OmniSite
All Rights Reserved, Ver 1.0*



Email: support@omnisite.com

CONTENTS

Technical Support	5
Technical Specifications	6
Introduction	7
Operating Modes	8
Internal Components	10
Unpacking	11
External Components	12
Installation	14
Safety Precautions	15
Panel Mounting	18
Hole Sealing Kit	20
Pole Mounting	22
Electrical Connection - 110 -120VAC	24
Six Position Wiring Diagram - 110-120VAC	26
Electrical Connection - 12VDC	28

Six Position Wiring Diagram - 12 VDC	30
Mounting Battery Backup	32
Activation	34
Connecting to Cellular Service	36
GuardDog Website Setup	37
Create Callout List	38
Independent Text Messaging	42
SMS Configuration	44
SMS Commands	51
SMS Messages	54
LED Status Indicators	56
System Power	57
Alarm Inputs	58
Troubleshooting	60
Product Safety, Use and Limited Warranty	62

WARNING: Not to be used as a visual public mode alarm notification appliance

WHAT DOES THIS MEAN?

To prevent misapplication of a visual signal appliance, it is the manufacturer's responsibility to warn the installer in the field and Authority Having Jurisdiction (AHJ) of what would be an inappropriate use of the product.

"Public Operating Mode" and "Notification Appliance" as defined in the National Fire Alarm Code, NFPA 72 is as follows:

Public Operating Mode - Audible or visible signaling to occupants or inhabitants of the area protected by the fire alarm system.

Notification Appliance - A fire alarm system component such as a bell, horn, speaker, light, or text display that provides audible, tactile, or visible outputs, or any combination thereof. In other words, this device should not be used as a component of a commercial fire alarm system.

Technical Support

Have questions or comments about your OmniBeacon™ Alarm Light? Please contact:



203 W. Morris Street
Indianapolis, IN 46225
support@omnisite.com



317-885-6330 x3

FREE WORLD CLASS SUPPORT!

www.OmniSite.com

Technical Specifications

- Dual Input Alarm Channels: (1) 12VAC/VDC to 120VAC/VDC, Opto-isolated to 1500VAC input and (1) Dry Contact input
- Backup Battery: External 6VDC Sealed Lead Acid, 1.3 AH, Re-chargeable, .187" Faston spades
- Operating Temperature: -20° to 150° F
- Operating Humidity: 0-90% RH, non-condensing
- Alarm Light Bulb: Super bright LEDs, long-life
- Alarm Light Annunciator: 2.8kHz, 85dB
- Alarm Light State: Pulses LEDs and Annunciator at 3Hz when input #1 is in alarm
- Cellular Radio: CDMA Dual Band 1xRTT (CDMA2000) 800/1900
- Certifications: FCC Parts 15, 22, 24; RoHS compliant; IC: RSS-132 & 133
- Antenna: Integrated, on board
- Input Power: 120VAC +/-20% @ 0.5A max
12VDC Version: 12VDC +/-15% @ 1.5A max
- Enclosure: NEMA 4 equivalent rating for direct mounting indoors or outdoors.
- Dimensions: 5"W round base x 5"H
- Weight: 1 lb.
- Protection: US Patent #7,228,129 and #7,778,633

Introduction

World's Best Alarm Beacon!

You've just purchased the best! The OmniSite OmniBeacon™ combines a wireless cellular transmitter, LED light source, and alarm siren into one convenient weather protected package. No matter your location, receive alerts from your equipment when you need it most.

How does the OmniBeacon™ Work?

The OmniBeacon™ can be configured to work for you in two different modes:

- (1) Powered by our GuardDog Intelligent Website
- (2) Independent text messaging mode

Operating Modes

OPTION 1 | GuardDog Intelligent Website

When configured in this way, the OmniBeacon™ will report events to the GuardDog website. GuardDog can be told to redistribute alarm events to any number of users via text messaging, email, or computer simulated voice message. You can also login to see your device on a Google map and GuardDog will keep a 2 year history of all events. For more information on how to setup and use this mode see page 37.

Operating Modes (Cont'd)

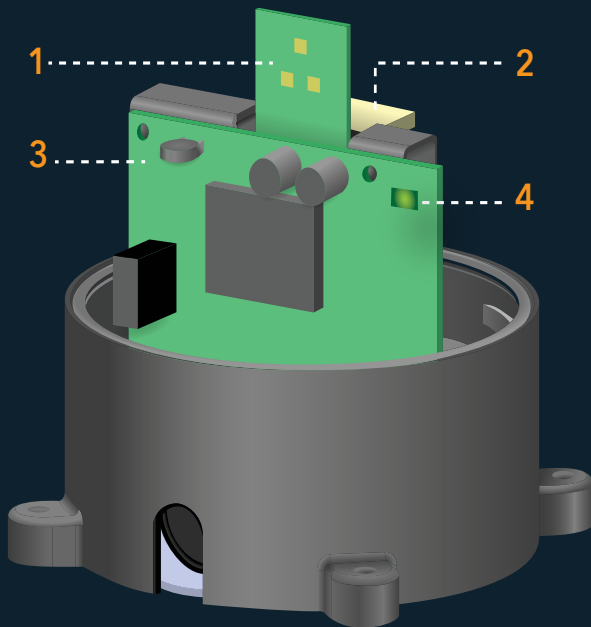
OPTION 2 | Text Messaging Backup

If the OmniBeacon™ **CANNOT CONNECT** to the GuardDog website for any reason, then it can be configured to directly send text messages to (3) phone numbers, and then bypass the GuardDog website.

In this mode, the OmniBeacon sends the text messages and does not rely on the GuardDog website to relay alarm information.

This is an "industry first" feature brought to you by OmniSite providing peace of mind that you always receive critical alarms. For more information on how to setup and use this mode, see page 42.

Internal components



- (1) LED Multicluster Light Stick
- (2) 12VDC Power Supply
- (3) Cellular Transmitter & Battery Charger
- (4) Status LED Indicator Light



In field service is not required for OmniBeacon™ internal components.

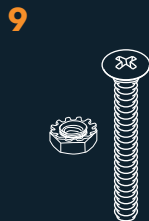
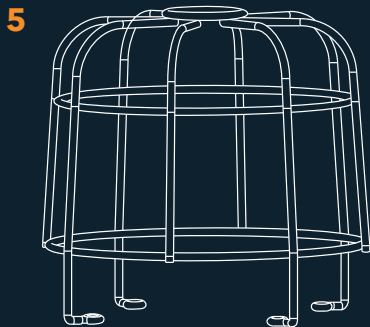
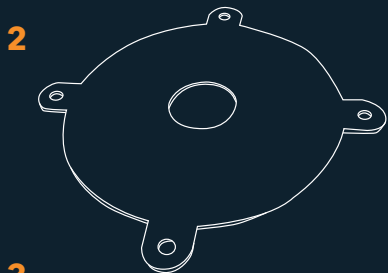
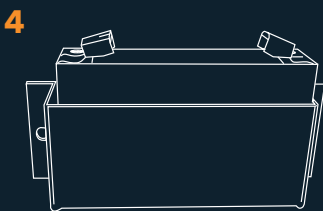
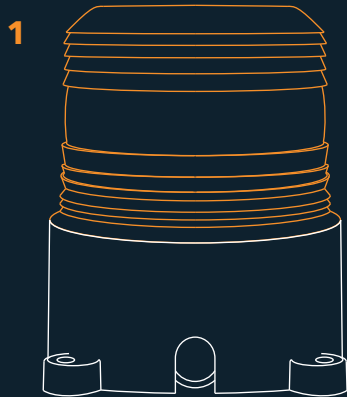
Unpacking

After unpacking your OmniBeacon™, examine it for damage that may have occurred in transit. If the device has been damaged, do not attempt to install or operate it.

File a claim immediately with the carrier stating the extent of the damage. Carefully check all bags, shipping labels, and tags before discarding them.

External components

- (1) OmniBeacon™
- (2) Control Panel Gasket (x1)
- (3) Quick-Connect Field Wiring Connector
- (4) Backup Battery (with Mounting Pocket)
- (5) Impact Guard Cage
- (6) Conduit Nut 3/4" (x1)
- (7) #10 Self Drilling/Tapping Screws (x2)
- (8) Quick Connect Terminals (x2)
- (9) Stainless 8-32 Screw and Nut (x4)
- (10) #8 Neoprene Sealing Washers (x4)
- (A) Large Hole Sealing Kit used to fill/cover large hole in electrical panel (Optional)



Installation

SAFETY MESSAGE TO INSTALLERS, USERS, AND MAINTENANCE PERSONNEL

It is important to follow all instructions shipped with this product. This device is to be installed by a trained electrician who is thoroughly familiar with the National Electrical Code/ Canadian Electrical Code and will follow the NEC/CEC Guidelines as well as local codes.

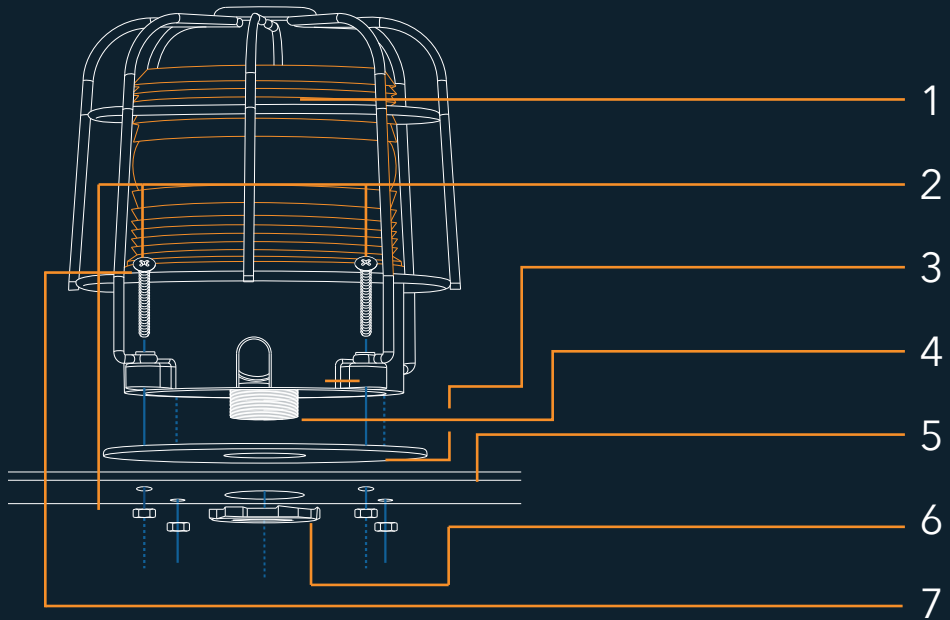
Installation of this device should be lead by the direction of the facilities engineer and the safety engineer. In addition, listed on the next page are some important safety precautions.

Failure to follow all safety precautions and instructions may result in property damage, serious injury, or death.

Safety Precautions

- Read and understand all instructions before installing or operating the OmniBeacon™.
- Disconnect the OmniBeacon™ from the power supply before any installation or maintenance is performed.
- After installation, test the OmniBeacon™ to ensure that it is operating properly.
- After testing is complete, provide a copy of this instruction sheet to all operating personnel.
- Establish a procedure to routinely check the OmniBeacon™ installation for integrity and proper operation.
- The product nameplate should not be obscured in any way.

Panel Mounting Overview

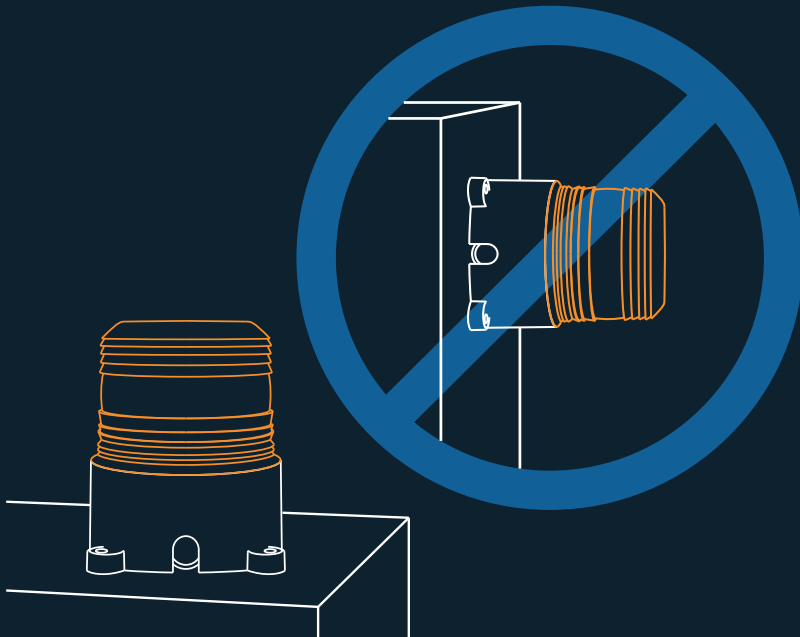


- (1) OmniBeacon™
- (2) Stainless Steel 8-32 Screw & Nut (x4)
- (3) Control Panel Gasket
- (4) Chase Nipple
- (5) Control Panel Surface
- (6) Conduit Nut 3/4" (x1)
- (7) #8 Neoprene Sealing Washers (x4)

Panel Mounting Instructions

DO NOT SIDE MOUNT OMNIBEACON™.

Mount the OmniBeacon™ in the vertical orientation only.



- (1)** Using the base foam gasket as a drilling template, mark hole locations in 5 places. Drill or punch four 3/16" holes and one 3/4" hole.
- (2)** Place the gasket on a mounting surface and line up four 3/16" holes for the #8 machine screws.
- (3)** Remove the 3/4" conduit nut from the chase nipple. It will be secured in step (7).
- (4)** Pass the OmniBeacon wires and chase nipple through the 3/4" hole. Line up four 3/16" holes with the mounting feet.
- (5)** Locate the four 8-32 Stainless Steel machine screws and four #8 Neoprene Sealing Washers.
- (6)** Insert the 8-32 Stainless Steel machine screws into the #8 Neoprene Sealing Washers, and then insert this into the four base feet. Attach the four 8-32 Stainless Steel nuts from the underside. Tighten the nuts snugly.
- (7)** Feed wires through the 3/4" conduit nut and tighten to chase nipple.
- (8)** Refer to Electrical Connections section for wiring details.

OmniBeacon™ Large Hole Sealing Kit (Optional)

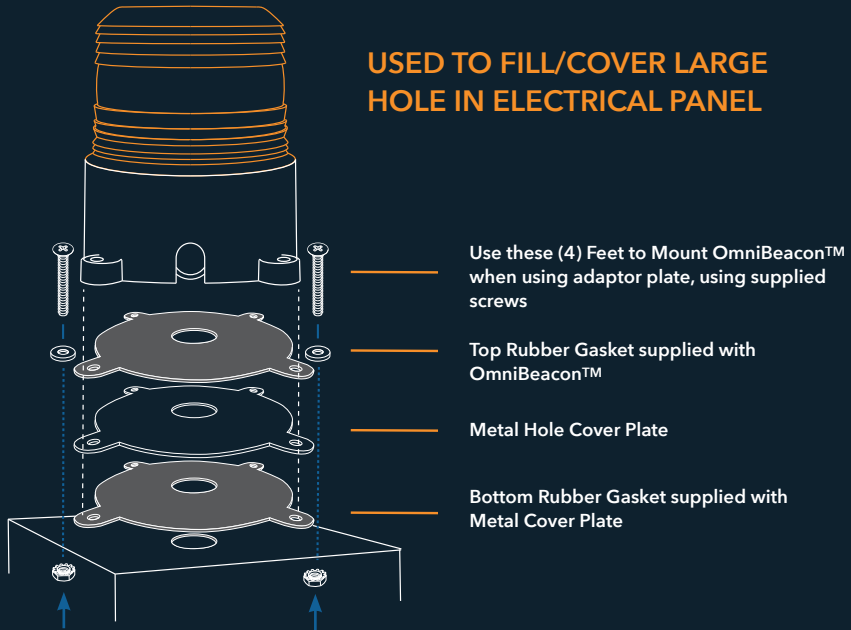


Figure #1 - Correct installation shows sandwiching metal plate between (2) rubber gaskets to cover a large hole in the electrical control panel.

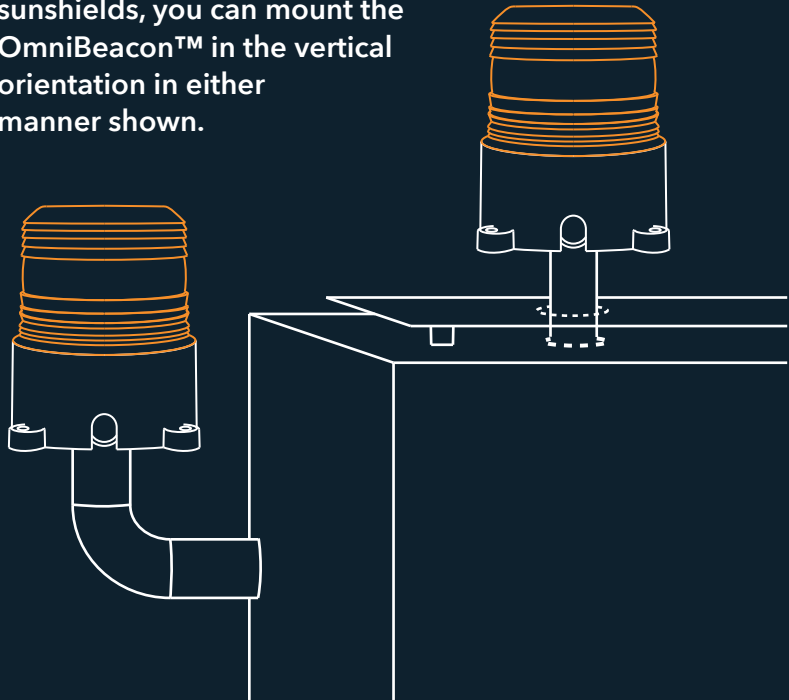
The standard OmniBeacon™ is intended to be mounted using the 3/4" conduit fitting which extends out of the bottom of the device. If you are replacing an existing alarm light with the OmniBeacon™, and you have a large hole to cover, the OmniBeacon™ accessory plate can be used to cover the hole as shown in Figure #1.

The metal plate should be sandwiched between (2) rubber gaskets to provide a complete seal.

NOTE: Do not attempt to cover a large hole without this plate. The siren on the bottom of the OmniBeacon™ is not weathertight and will allow water to leak into your control panel without the adaptor plate.

Pole Mounting OmniBeacon™

For panels with external sunshields, you can mount the OmniBeacon™ in the vertical orientation in either manner shown.



- (1) Using $\frac{3}{4}$ " EMT conduit adapters, connect the $\frac{3}{4}$ " chase nipple on the OmniBeacon™ base to the $\frac{3}{4}$ " EMT conduit.
- (2) Feed the field harness through the conduit.
- (3) Attach the conduit to the control housing.
- (4) Refer to Electrical Connections section for wiring details.

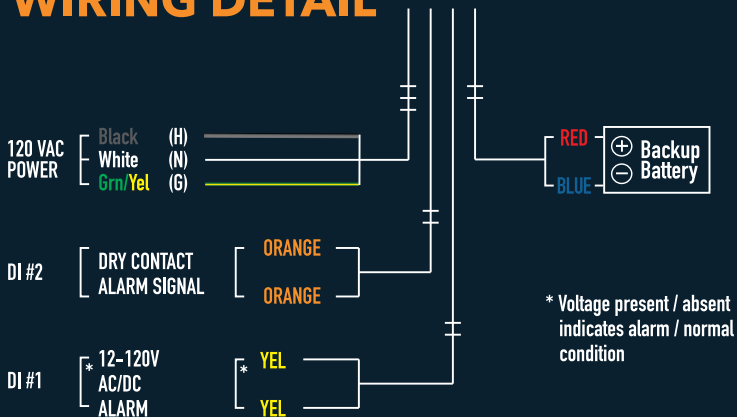
Electrical Connection - 110 - 120VAC

WARNING

To avoid electrical shock hazards, do not connect to supply circuit when power is applied.

The OmniBeacon™ is supplied with a 6' field harness for easy electrical connection.

WIRING DETAIL



- (1) Connect the field harness to the OmniBeacon™.
- (2) Route the wires to the desired location in the control panel and cut to length.
- (3) Locate two - ¼" Quick connectors and crimp to the Blue and Red wires.
- (4) Connect the Red wire to the positive battery terminal.
- (5) Connect the Blue wire to the negative battery terminal.
- (6) Connect the Yellow wires to desired alarm power source (12v - 120v AC or DC).
- (7) Connect the Mains power. Green/Yellow connects to earth ground, Black to Line Hot, White to Neutral.

Six Position Wiring Diagram - 110 - 120VAC

Backup battery connection.
Quick connects included.

Non-powered, dry contact, input. Does not trigger siren or light beacon, sends alarms only.

Universal Voltage Alarm Channel.
Connect to 12VAC/VDC to 120VAC/VDC alarm signal.
(No polarity required)
Voltage present = alarm condition
No Voltage = non-alarm condition

Connect to user supplied 120VAC circuit capable of supplying 0.5 Amps minimum. 14-18 AWG recommended



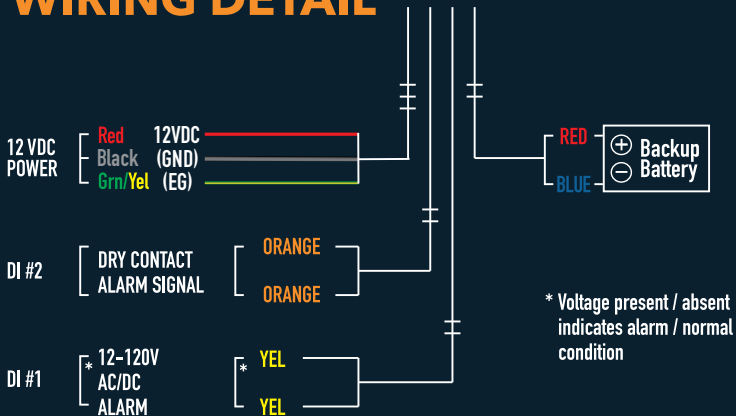
Electrical Connection - 12VDC

WARNING

To avoid electrical shock hazards, do not connect to supply circuit when power is applied.

The OmniBeacon™ is supplied with a 6' field harness for easy electrical connection.

WIRING DETAIL



- (1) Connect the field harness to the OmniBeacon™.
- (2) Route the wires to the desired location in the control panel and cut to length.
- (3) Locate two - ¼" Quick connectors and crimp to the Blue and Red wires.
- (4) Connect the Red wire to the positive battery terminal.
- (5) Connect the Blue wire to the negative battery terminal.
- (6) Connect the Yellow wires to desired alarm power source (12v - 120v AC or DC).
- (7) Connect the DC power. Green/Yellow connects to earth Ground, Red to 12VDC, Black to Ground.

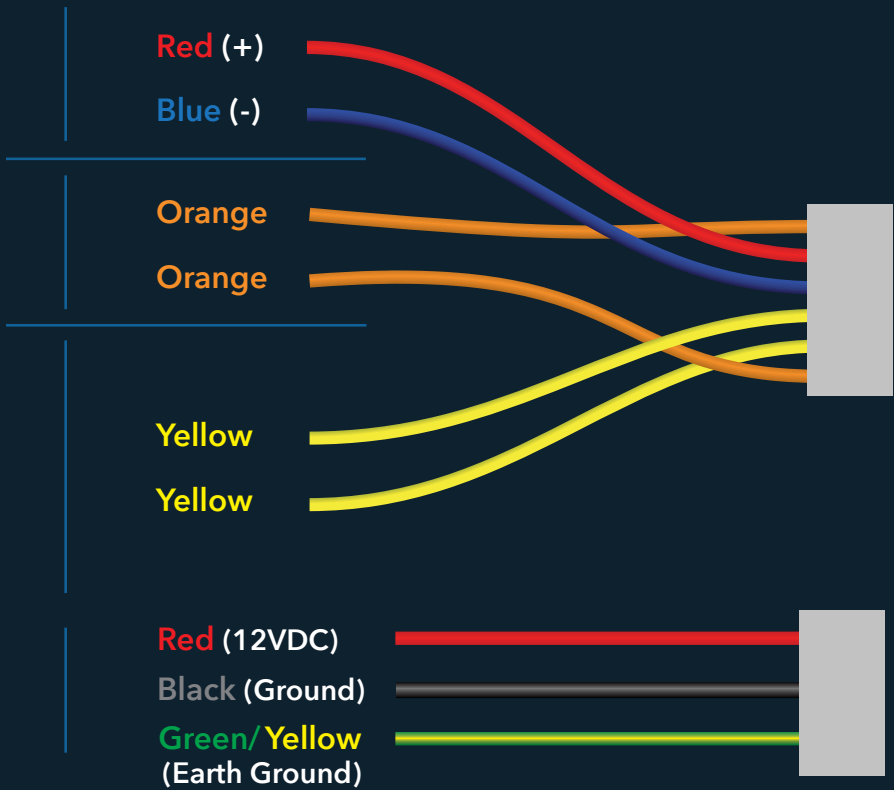
Six Position Wiring Diagram - 12VDC

Backup battery connection.
Quick connects included.

Non-powered, dry contact, input. Does not trigger siren or light beacon, sends alarms only.

Universal Voltage Alarm Channel.
Connect to 12VAC/VDC to 120VAC/VDC alarm signal.
(No polarity required)
Voltage present = alarm condition
No Voltage = non-alarm condition

Connect to user supplied 12VDC circuit capable of supplying 1.5 Amps minimum. 14-18 AWG recommended



Mounting Backup Battery

The OmniBeacon™ is supplied with a 6 volt backup battery and mounting bracket.

- (1) Find suitable location for attaching the battery bracket inside the weather proof control panel.
- (2) Using the bracket as a template, mark and drill two 3/16" holes.
- (3) Locate two 10-16x1/2" self tapping screws.
- (4) Pilot drill holes for self tapping screws if control panel is heavy gage metal. Drive self tapping screws through battery pocket, mounting holes to complete pocket installation.
- (5) Place the battery in the bracket.

- (6) Refer to Electrical Connections section for wiring details.
- (7) The OmniBeacon™ will automatically charge this battery using a high quality, temperature compensated battery charger. This charger works anytime primary power is present. If battery will not charge, or becomes disconnected, a low battery alarm is issued. The backup battery allows OmniBeacon™ to continue to monitor up to 12 hours after a primary power loss.

Device Activation

The OmniBeacon™ is a cellular device just like your portable cell phone, as such... all OmniSite devices require activation before they will transmit alarms. Please follow the instructions below to activate your device.

- (1) Navigate to www.omnisite.com/activate to launch the Activation Wizard
- (2) Select an appropriate account type
 - If you are a new customer, select "New Customer" to create a new account
 - If you are an existing customer, select "Existing Customer" to log into your account
 - If you are an OmniSite representative, select "OmniSite Representative" to log into your account

- (3) Take note of the device's Unit ID, which can be found on a label on the device. Enter this Unit ID when prompted by the Activation Wizard.
- (4) Please read and follow the instructions carefully as you progress through the Activation Wizard.
- (5) Once you finish the Activation Wizard, OmniSite will be notified and will begin processing your activation request. Please allow up to one business day to process your request.
- (6) You will receive an email from OmniSite when device activation is complete.
- (7) The notification email you receive from OmniSite will include your user name and password to access your secure historical website, and also the units telephone number for configuration of text message backup messages.

Connecting to Cellular Network

The OmniBeacon™ is now ready to be powered on. Once powered on, it will attempt to connect to the cellular network.

- (1) As soon as OmniBeacon™ is connected to power, it will turn on and attempt to connect with the cellular network.
- (2) While OmniBeacon™ is attempting to connect the status light will blink **green** and will also beep.
- (3) Wait for the status light to turn solid **green**; this can take up to 1 minute.



*The status light may briefly turn **red**. If the status light stays **red** for more than 1 minute, refer to the troubleshooting section of this manual.*

NOTE: The status light is the tiny LED light on the main circuit board. It is **NOT** the large alarm light cluster. The tiny status LED is located under the OmniBeacon™ orange protective lens, and can be faintly seen through the lens. Don't worry, this small LED is only used during startup to troubleshoot weak cellular signals, and is not used after startup is complete.

GuardDog Website Setup

GuardDog is used to view device status, see current alarms, configure devices, and setup notifications. GuardDog must be configured to send notifications and alarms regarding your OmniSite devices.

There are two main steps required to configure GuardDog:

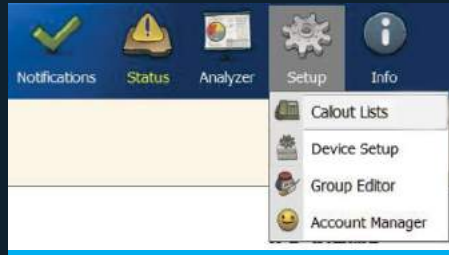
- (1) Create Callout List
- (2) Configure Alarms

Create Callout List

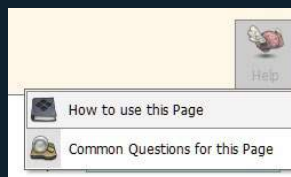
The first step is to create a callout list. Callout lists define who will be notified, in what order, and how. Please follow these steps:

Navigate to <https://guarddog.omnisite.com> and enter your username and password to log in. If you are a new customer, your username and password will be provided when activation of your device is complete.

- (2) Using the navigation buttons at the top of the screen, click "Setup" and then click "Callout List."



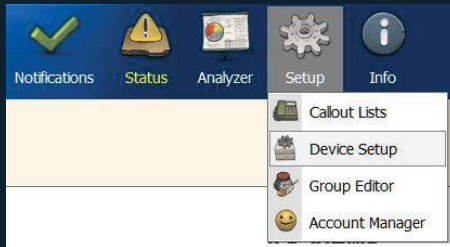
- (3) Detailed instructions on how to create a recipient library and callout list can be found within GuardDog's help pages. Near the top right side of the screen, you'll see a "Help" icon. Hover over this icon and select "How to use this Page." Please read and follow the instructions.



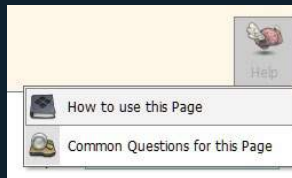
Configure Alarms

Once a callout list has been created, you can configure your device to use that callout list when an alarm condition occurs. Please follow these steps:

- (1) If not already logged in, navigate to <https://guarddog.omnisisite.com> and enter your username and password to log in.
- (2) Using the navigation buttons at the top of the screen, click "Setup" and then click "Device Setup."



- (3) Detailed instructions on how to configure your device can be found within GuardDog's help pages. Near the top right side of the screen, you'll see a "Help" icon. Hover over this icon and select "How to use this Page." Please read and follow the instructions.



Advanced SMS Features

The OmniBeacon™ features advanced SMS messaging capabilities that allows users to interact with the device from any cellular phone with SMS messages, also known as text messages. The OmniBeacon™ has a unique phone number, just like cellular phones have. Users can send SMS commands directly to the device's phone number from their cell phone.

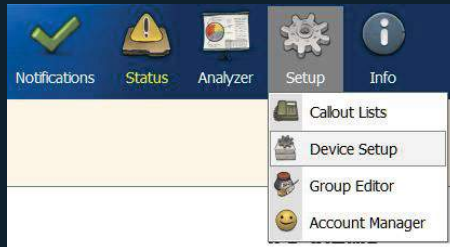
The OmniBeacon™ supports "SMS fallback" when the primary method of alarm delivery via GuardDog fails. If the device loses contact with OmniSite's GuardDog server for over 30 minutes, it enters "SMS fallback" mode. In this mode, the unit will send SMS notifications of any alarm conditions (input alarms, power loss, low battery, etc.) to all phone numbers configured in the device. Upon entering this mode, all phone numbers programmed in the unit will receive a message indicating data communications was lost, along with a status message which includes information such as input alarm status. When the OmniBeacon™ re-establishes contact with the OmniSite servers, it sends a messaging indicating that it restored data communications.

When the device first starts up, it enters "configuration mode", which allows it to process SMS commands from any phone number. It will stay in "configuration mode" for 15 minutes and then it enters "normal mode". In "normal mode", the device will only respond to commands that it receives from phone numbers that have been configured in the device. If there are no phone number configured in the unit, or if the phone number that you are sending commands from is not configured in the device, the device will not process the commands. This is a security measure to prevent unauthorized access to the device via SMS messages.


SMS Configuration



Please follow the steps below to enable the OmniBeacon's™ SMS features:

- (1) Navigate to <https://guarddog.omnisite.com> and enter your username and password to log in.
- (2) Using the navigation buttons at the top of the screen, click "Setup" and then click "Device Setup."



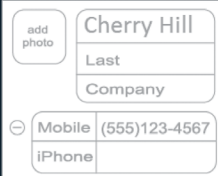
- (3) Take note of the OmniBeacon's phone number. The device's phone number can be found in GuardDog under the "Device Setup" page (see screenshot below).

- Station Information - 

Name:	Dave's PLC OmniBeacon		
Num:			
Address:			
City:	State:	Zip:	
Unit Model:	OmniBeacon	UnitID:	28645
Unit Phone Number:	(555)123-4567		
Package:	OmniBeacon/SmartLight	Cycle:	Annually Amt: NA
Icon:		<input type="checkbox"/> Coordinate Override	

- (4) Save the device's phone number as a contact in your mobile device with an appropriate name, such as "Cherry Hill Lift Station."

Phone #: (555) 123-4567 →



A screenshot of a mobile contact card. The card has a white background with rounded corners. At the top left is a small circular icon with the text "add photo". To the right of this icon is the name "Cherry Hill" in a large, bold font. Below the name are three stacked rectangular fields: "Last", "Company", and "Mobile". The "Mobile" field contains the number "(555)123-4567". Below the "Mobile" field is another field labeled "iPhone" which is currently empty. A small minus sign icon is located to the left of the "Mobile" field.

- (5) Power cycle the OmniBeacon so the device enters "configuration" mode. The unit will stay in configuration mode for 15 minutes.

NOTE: You will have to unplug the battery to power cycle the OmniBeacon. Plug the battery in once power cycled.

- (6) Wait for the status LED to turn solid green. This could take a couple of minutes.

- (7) Create and send a text message to the unit phone number that you saved in step 4 and include the following in the body of the message:

phone1 5557654321

- (8) Where 5557654321 is replaced by your 10-digit phone number. This phone number is saved to position #1, and will receive text messages from the OmniBeacon™ in SMS fallback mode

Programming phone1

phone1 5557654321

EXAMPLE MESSAGE

- (9) If successful, the unit will chirp twice and you will receive a Settings and Help text message to the phone number you just entered. If you want notifications to additional phones, you can repeat this process with up to two additional phones, using the phone2, phone3 commands. If programming phone1 was successful, then you will receive the message below.

Unit Settings



Name: Unit 45612
#1 5557654321
#2
#3
Contractor:
Contact:

(10) Create and send a text message to the unit phone number that you saved in step 4 and include the following in the body of the message:

`status`

The unit will respond with the current status of the device.

Input #1: OK

Input #2: OK

AC Pwr: OK

Batt: 6.4 V OK

Signal: -73 dB OK

DID YOU KNOW?



SMARTPHONE APPLICATIONS **IPHONE™**, ANDROID & WINDOWS



View the status with ANY web enabled smartphone. Check the status of your alarms and analyze your equipment at any time and anywhere!

Simply search for OmniSite GuardDog from Iphone, Android or Windows App Store and use your GuardDog username and password to log in from your phone!

SMS Command Summary

Settings	Returns the current settings of the module in three separate messages
Status	Returns the current status of the module
Help	Requests a help message with a list of commands
Setup	Requests a series of three messages that have the most used setup commands
PhoneX [Phone number]	Configures phone numbers in the unit, where X is 1, 2, or 3
PhoneX none	Clears phone numbers in the unit, where X is 1, 2, or 3
Name [Device Name]	Names the device up to 20 characters. This setting does not change GuardDog's device configuration. If you change this setting, it is recommended to change the device's GuardDog configuration to match it.

SMS Command Summary (Cont'd)

InputX [Input Name]	Names the input, up to 20 characters, where X is 1 or 2. This setting does not change GuardDog's device configuration. If you change this setting, it is recommended to change the device's GuardDog configuration to match it.
CtypeX* [NO/NC]	Configures the contact type for the input (NC = normally closed, NO = normally open), where X is 1 or 2. Default state is NO. This setting does not change GuardDog's device configuration. If you change this setting, it is recommended to change the device's GuardDog configuration to match it.
DelayX [Seconds]	Sets input delay time in seconds up to 9999. Default delay is 5 seconds for each input.

** NOTE: Not recommended to change Input #1 contact type because the LED Stick's alarm status will be reversed.*

PwrDelay [Seconds]	Sets power loss delay time in seconds up to 9999. Default power delay is 60 seconds.
Test	Sends a test message to all phone numbers configured in the unit
Contractor* [Contractor Name]	Sets the contractor name to append to end of alarm messages, up to 20 characters
Contact [Phone Number]	Sets the contractor phone number to append to end of alarm messages, up to 14 characters
Sponsor [Sponsor Name]	Sets the sponsor name to append to end of alarm messages, up to 25 characters. Contractor settings override sponsor messages.

**Installing contractor - use the "contractor," "contact," and "sponsor" text commands to advertise your company name and phone number during an alarm event. This way the customer knows who to call for service during an emergency.*

SMS Message Summary

The OmniBeacon™ sends numerous messages to indicate alarm and system status. The list below is a summary of the SMS messages the OmniBeacon™ sends.

Input Alarm Messages:

[Device Name] has detected an alarm condition for [Input Name] at 00:00AM on MM/DD/YY.

[Device Name] has detected a normal condition for [Input Name] at 00:00AM on MM/DD/YY.

Power Loss Messages:

[Device Name] has detected that electrical power was lost at 00:00AM on MM/DD/YY.

[Device Name] has detected that electrical power was reestablished at 00:00AM on MM/DD/YY.

Battery Messages:

[Device Name] has a low battery at 00:00AM on MM/DD/YY.

[Device Name] has a critically low battery at 00:00AM on MM/DD/YY.

Test Messages:

[Device Name] is operating correctly at 00:00AM on MM/DD/YY.

SMS Fallback Messages:

[Device Name] has lost data communications and SMS fallback has been enabled at 00:00AM on MM/DD/YY.

[Device Name] has restored data communications and SMS fallback has been disabled at 00:00AM on MM/DD/YY.

Settings Messages:

Name: [Device Name]

Phone1: [Phone #1]

Phone2: [Phone #2]

Phone3: [Phone #3]

Input1 12-120VAC/DC: [Input Name], NC, 5sec

Input2 Non-Powered: [Input Name], NC, 5sec

PwrDelay: 60sec

Contractor: [Contractor Name]

Contact: [Contact Information]

Sponsor: [Sponsor Name]

Status Message:

Input #1: [OK/ALERT!]

Input #2: [OK/ALERT!]

AC Pwr: [OK/NONE]

Batt: #.# V [OK/LOW/CRITICAL]

Signal: -### dB [OK/WEAK]

Status Indicators

The OmniBeacon uses a red and green LED, along with a beeper, to indicate the status of the device. The table below describes the various status and the corresponding blink/beep patterns.

Status	Blink Pattern	Sounder
Error (Dead radio, radio error, could not send SMS, or could not send Guard-Dog report)	Red rapid blinks	With Sounder
Not Ready (Starting up, bad signal strength or bad network registration)	Red 2 blinks	With Sounder
Disabled	Red 1 blink	No Sounder
Input Alarm	Red solid	No Sounder
Ready	Green solid	No sounder
Config mode	Green 1 blink	No sounder
Transmitting	Green 2 blinks	No sounder

NOTE: The red/green LED indicators are the tiny LED on the main circuit board and are NOT the primary Alarm light LED cluster (see page 10)

System Power

This device utilizes a 6V sealed lead acid battery to keep the system powered during primary power loss. The default alarm delay for power loss is 60 seconds. When primary power is lost for 60 seconds, the device will transmit an alarm condition. Once primary power has been restored for 60 seconds, the device will transmit a return to normal condition.

The battery will supply power for at least 12 hours with a full charge. The system takes about 24 hours to recharge a fully discharged battery. The battery is considered charged when the voltage is 6V or higher; low at 5.75V and critically low at 5.55V and lower. The system automatically shuts down when running from the battery if the voltage drops to 5.25V.

The power loss alarm delay time can be reconfigured by sending the "PwrDelay" SMS command to the device. For example, to configure a 30 second power loss delay time, send the command "PwrDelay 30". See section "Advanced SMS Features" for information on how to use SMS features.

Alarm Input Time Delays

The OmniBeacon™ has two alarm inputs, each with different operation.

Input #1 | Powered input and can accept 12V to 120V AC or DC. Input #1 is also connected to the primary annunciator (LED bulb) and will trigger the flashing light and sounder.

Input #2 | Non-powered, dry-contact input - do not apply voltage to this input or it will be damaged. This input is designed to read a contact closure only. Input #2 is NOT connected to the primary annunciator - it will NOT trigger the flashing light and sounder.

The default alarm delay for both inputs is 5 seconds. If an input is in alarm for 5 seconds, the device will transmit an alarm condition. When the input returns to normal for 5 seconds, the device will transmit a return to normal condition.

The input delay times can be reconfigured by sending the "DelayX" SMS command to the device. For example, to configure a 15 second delay time for input 2, send the command "Delay2 15". See section "Advanced SMS Features" for information on how to use SMS features.

Troubleshooting

Problem

Cause

The status light is solid
red

Bad cellular signal
strength

The status light is flash-
ing **red** quickly

Some type of error has
occured

Text messages arrive
out of order and/or text
messages arrive late

Poor signal strength

Move the device to an area with better cellular reception, away from metal objects or to a higher elevation.

Power your device off for 10 seconds and power it back on.

Move your device to an area with better cell reception.
Or, the network may be temporarily congested, there is no remedy for network congestion.

Product Safety, Use & Limited Warranty

The following safety and use information and Limited Warranty applies to products sold by OmniSite (“OmniSite”) to you the end-user (“You”) on OmniSite namely an alarm with text notification capability, related accessories such as sensors (collectively “Products”), and cellular service, which is required in order for the alarm to send notification text messages (“Services” collectively with Products “Products and Services”).

Product Safety and Use Information

IMPORTANT: Use only supplied battery and with your Products. Routinely check the battery in Products; failure to routinely check the battery may result in the failure of Products to function during a loss of power. Routinely check the strength of the cellular signal to Products and/or perform tests to check the text notification capability of the Products.

WARNING: Products use electricity in the presence of water, therefore your safety and the safety of others depends upon you thoroughly reading and understanding the Installation Guide. If you have questions or do not understand the information presented in the Installation Guide, please call 1-317-885-6330. Be sure that electrical cords used are not frayed or placed in a located where they can pose a danger. To reduce the risk of fire, electric shock, injury or death, always disconnect all sources of electrical power before servicing or cleaning; do not touch the electrical terminals or controls with wet hands; and do not tilt, jolt or tip Products while powered-on. Never disassemble Products. Never allow children to use Products.

CAUTION: Products are cellular devices and must be activated before use. Please visit omnisite.com/activate to activate your Products. You must have a cellular device in which to communicate with Products. OmniSite utilizes automatic bill pay as a convenience to its customers and to ensure continuity of cellular service. OmniSite will notify you before cellular service is to be renewed and before the credit card you provided during activation is charged. If OmniSite is not able to successfully bill for the cellular service, OmniSite has the right to immediately disconnect cellular service to your Products and your Products will no longer send text notifications.

NOTE: Upon delivery inspect contents immediately and file claim with delivery carrier for any damage. OmniSite recommends saving the original box and packing material. You are responsible for damage to Products if returned to OmniSite improperly packed.

NOTE: OmniSite's primary method for contacting you is via email. Please add us as a contact to ensure delivery of these emails. Please promptly update your email address with us if it changes.

LIMITED WARRANTY: OmniSite ("OmniSite") warrants to You that Products will be free from defects in materials and workmanship under normal use and service for two (2) years from the purchase date. A claim under this Limited Warranty must be presented during the Limited Warranty period and within thirty (30) days after any covered condition has occurred. A claim under this Limited Warranty shall be satisfied by either, in OmniSite's sole discretion, repairing or replacing the Products and/or part. Replacement Products may be new or reconditioned.

To make a claim under this Limited Warranty, OmniSite must first issue You a Returned Material Authorization (RMA) number. This number can be obtained by contacting OmniSite and a copy will be provided by email. A copy of the RMA must be included with any materials shipped to OmniSite.

The entirety of Products must be sent back to OmniSite (unless specifically listed otherwise on the RMA form) and properly packaged to ensure against damage during shipping. If OmniSite determines that the claim is covered by this Limited Warranty, OmniSite will either, in its sole discretion, repair or replace the Products and/or part. Any damages not covered under this Limited Warranty will not be repaired until a written purchase order is received.

The Limited Warranty period shall not be extended by the replacement or repair of Products or parts under this Limited Warranty but the remaining Limited Warranty period shall continue in effect and be applicable to the replaced or repaired Products or parts under conditions of the Limited Warranty. Payment for cellular service covers only cellular transmission fees and in no way extends any portion of this Limited Warranty. This fee does not include out-of-warranty service or repair.

The cellular service provided in conjunction with the purchase and use of Products and Services is not guaranteed, and OmniSite cannot and does not guarantee or represent that cellular service will be available in Your area nor that cellular service will be continuous and uninterrupted in Your area. It is Your responsibility to determine if cellular coverage is available in your area and to monitor the warning light on Products and Services to determine the cellular signal strength to Products and Services.

You should contact OmniSite for assistance if needed. If cellular service is not available in your area, then your sole remedy is to return Products and Services as provided for in OmniSite's Return Policy as found at www.omnisite.com. As such, OmniSite is not liable for any causes of action, losses or damages of any kind whatsoever arising out of mistakes, omissions, interruptions, errors, or defects in the provision of cellular service and failures or defects in the cellular network.

Upon expiration of the Limited Warranty period, all liability of OmniSite shall be terminated. This Limited Warranty does not apply in the following cases: failure to follow installation and operating instructions, misuse, alteration, abuse, accident or tampering, and repair by anyone other than OmniSite.

THIS LIMITED WARRANTY IS EXCLUSIVE AND EXPRESSLY IN LIEU OF ALL OTHER WARRANTIES, OBLIGATIONS OR LIABILITIES, WHETHER WRITTEN, ORAL, EXPRESS OR IMPLIED, INCLUDING ANY WARRANTY OF MERCHANTABILITY OR FITNESS FOR A PARTICULAR PURPOSE, OR OTHERWISE. IN NO CASE SHALL OMNISITE BE LIABLE TO ANYONE FOR ANY CONSEQUENTIAL OR INCIDENTAL DAMAGES FOR BREACH OF THIS WARRANTY OR ANY OTHER WARRANTIES WHATSOEVER.

This Limited Warranty gives specific legal rights. You may have other rights, which vary from state to state. Some states do not allow the exclusion or limitation of incidental or consequential damages, so that the above limitation of exclusion may not apply to you. You, the individual user, should take care to determine prior to use whether Products and Services are suitable, adequate or safe for the use intended. Since individual applications are subject to great variation, OmniSite makes no representation or warranty as to suitability or fitness of Products and Services for any specific application.

OmniSite makes no representation that Products and Services will reduce any risk of property loss or personal injury or prolong the life of any equipment or other property; or that Products and Services will in all cases provide adequate warning and protection. You understand that Products and Services if properly installed and maintained may only reduce the risk of property loss or other loss but Products and Services are not an insurance or a guarantee that there will be no property loss or other loss as a result.

CONSEQUENTLY, OMNISITE SHALL HAVE NO LIABILITY FOR ANY PROPERTY DAMAGE, PERSONAL INJURY OR OTHER LOSS BASED ON A CLAIM THE PRODUCTS AND SERVICES FAILED TO GIVE WARNING.

However, if OmniSite is held liable, whether directly or indirectly, for any loss or damage arising under this Limited warranty or otherwise, OmniSite's liability shall be limited to the purchase price of Products and Services purchased and paid for by You, which shall be the complete and exclusive remedy against OmniSite.





Visit us Online at www.OmniSite.com