



ALL STAINLESS STEEL GAUGE



Model BR301L

SPECIFICATIONS:

- 316 Stainless Steel Case with bayonet bezel design
- 316 Stainless Steel Internals
- Stainless Steel Bourdon Tube & Connection
- IP65 Enclosure
- Glycerine fill standard, Dry available
- Accuracy: 2½" Dial - 1.6%;
4" and 6" Dials - 1%
- Dual Scale: PSI & BAR (x100=kPa)
- Ambient Temperature: Filled: +30 °F to +160 °F; Dry: -30 °F to +180 °F
- Safety Glass Lens
- Welded Socket
- Overpressure Limit: 30% FSO
- Working Pressure: 75% FSO

FIELD OPTIONS:

- 2½", 4", and 6" dial sizes
- ¼"(M) NPT on 2½" and 4"
- ½"(M) NPT on 4" and 6"
- Front Flange (FF) or Back Flange (BF) Mount
- U-Clamp Mount (UC)

MODEL BR300

FEATURES:

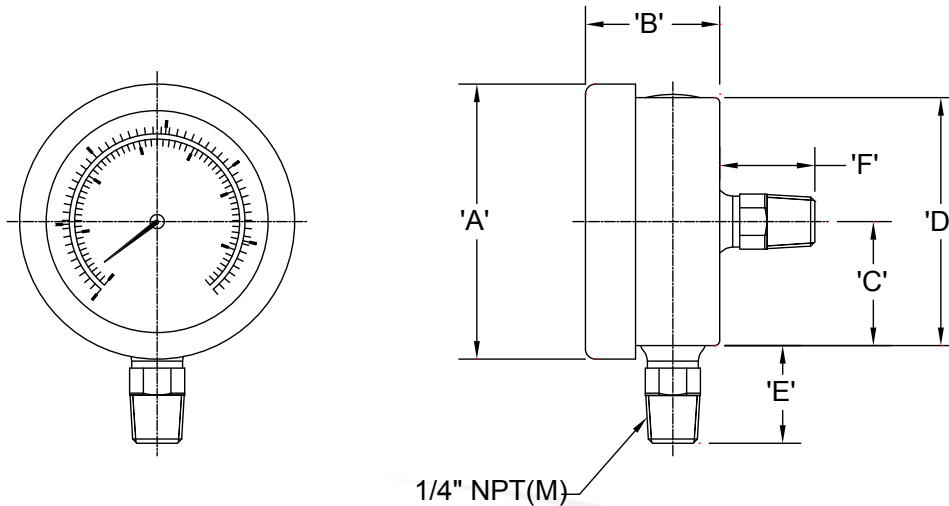
The Model BR300 series from Blue Ribbon Corporation is a high-quality dry or liquid-filled, all stainless steel back or bottom mount gauge for applications where brass may not be an option.

RANGE	RANGE CODES	MAJOR	MINOR
30/0" VAC	A	5	0.5
30/0/15	CB	5	0.5
30/0/30	CC	10	1
30/0/60	CD	10	1
30/0/100	CE	20	2
30/0/150	CF	20	2
30/0/300	CH	50	10
0/15	B	2	0.2
0/30	C	5	0.5
0/60	D	10	1
0/100	E	20	2
0/160	F	20	2
0/200	G	40	4
0/300	H	50	5
0/400	I	50	5
0/500	J	100	10
0/600	K	100	10
0/800	L	100	10
0/1000	M	200	20
0/1500	N	200	20
0/2000	O	400	50
0/3000	P	500	50
0/4000	Q	500	50
0/5000	R	1000	100
0/6000	S	2000	200
0/10,000	U	2000	200
0/15,000	V	2000	200

ALL STAINLESS STEEL GAUGES

DIMENSIONAL DRAWING

All dimensions are in inches (mm)



DIAL SIZE	'A'	'B'	'C'	'D'	'E'	'F'
Ø2.50 (1/4)	2.745	1.96	1.238	2.475	0.975	0.975
Ø2.50 (1/2)	2.745	1.96	1.238	2.475	1.37	1.37
Ø4.00 (1/2)	4.35	1.96	1.963	3.925	1.37	1.37
Ø6.00 (1/2)	6.35	1.96	2.925	5.85	1.37	1.37

ORDERING GUIDE

Example: BR301L254F

BR301	L	25	4	F
Model Number		Dial Size	Connector Size	Pressure Range
301 - bottom connect		2.5" - 25	4 - 1/4" NPT	See chart on page 1
302* - back connect		4" - 40	2 - 1/2" NPT	
Fill Type		6" - 60		
D - dry, non-filled				
L - Liquid, glycerin filled				

*Available in Front Flange (FF), Back Flange (BF), and U-Clamp (UC) Mount

All specifications are for reference purposes only. In the interests of continuous product improvement, all specifications are subject to change without notice. Please contact Blue Ribbon Corporation for assistance with your application.

