

## Application

The FSD-141 combination fire smoke damper employs triple-V blades for point-of-origin control of fire and smoke in static and dynamic smoke management systems. The FSD-141 is qualified to 2,000 ft/min (10.2 m/s) and 4 in.wg. (1.0 kPa) and may be installed in vertical walls or partitions, or horizontally in floors or assemblies with fire resistance ratings up to 2 hours.

## Standard Construction

**Frame:** 5" x 1" (127 x 25) galvanized steel hat channel with interlocking corner gusset. Equivalent to 13 gauge (2.4) channel frame. Low profile head and sill are used on sizes less than 13" (330) high.

**Blades:** 6" x 16 gauge (152 x 1.6) galvanized steel — triple-V.

**Sleeve:** 16" x 20 gauge (406 x 1.0) galvanized steel.

**Axles:** ½" (13) diameter plated steel hex.

**Linkage:** Concealed in frame.

**Bearings:** Stainless steel oilite, sleeve-type.

**Seals:** Silicone blade edge seals [450°F (232°C) rating] and flexible stainless steel jamb seals.

**Actuator:** 120 VAC, power-open, spring-close, external mount.

**Fire Closure Device:** HS-10 (electric actuators)  
PFV (pneumatic actuators)

**Fire Closure Temperature:** 165°F (75°C).

**Minimum Size:** 6" x 6" (152 x 152)

**Maximum Size:** Single section: 36" x 48" (914 x 1219)  
Vertical mount: 144" x 96" (3658 x 2438)  
Horizontal mount: 108" x 48" (2743 x 1219)

## Options

- Alternate actuator:
  - Internal mount (actuator in air-stream).
  - 24 VAC  24 VDC\*\*  230 VAC  Pneumatic
- DRS-30 — Two temperature fire closure device.  
(Includes PI-50 switch package)
- PI-50 — Dual position indicator switch package.
- Alternate factory installed sleeve:
  - Gauge:  18 (1.3)  16 (1.6)  14 (2.0)  10 (3.4)
  - Length:  20" (508)  24" (610)  Other \_\_\_\_\_
  - Side Plate  No Sleeve (Actuator must be internally mounted)
- Transitions:  Flanged
  - Round  Oval
  - Duct connections:  1" (25) S-clip  
 DM25  DM35  S & Drive  Ward
- Retaining angle systems:
  - Gauge:  20 (1.0)  16 (1.6)
  - Picture frame:  SSPF (single-side)  DSPF (2-sided)
  - Individual angle sets:  SS (single-side)  DS (2-sided)
- Alternate fire closure temperature:
  - 212°F (100°C)  250°F (121°C)
  - 350°F (177°C)
- Duct smoke detector factory mounted and wired:
  - D4120 (100-4,000 fpm [0.5-20.3 m/s])
  - 2151 (0-3,000 fpm [0-15.2 m/s])
- Duct access door factory mounted in common sleeve.
- Remote control stations:
  - RCP-1 (single)  RCP-1K (single, key controlled)
  - RCP-1M (single, momentary switch)
- Generic mullion for oversized masonry or concrete wall openings.

\*\* Maximum Temperature: 250°F (121°C)

Information is subject to change without notice or obligation.

## Ratings

**UL 555 Fire Resistance Rating:** 1½ hour (vertical and horizontal)

**UL 555S Leakage Class:** 1 [8 cfm/sq.ft. @ 4 in.wg.]  
[(0.04 m³/s/m² @ 1.0 kPa)]

**UL HNLJ.V-5:** Ventilation Duct Assemblies

**Maximum Dynamic Closure Velocity:** 2,000 fpm (10.2 m/s)

**Maximum UL555S Rated Pressure:** 4 in.wg. (1.0 kPa)

**Maximum Temperature:** 350°F (177°C)

## Listings

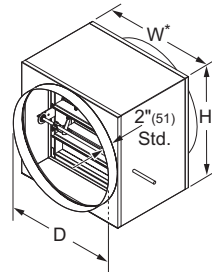
**UL 555 and 555S listing:** R11767

**CSFM listing:** 3225-0368:110 and 3230-0368:111

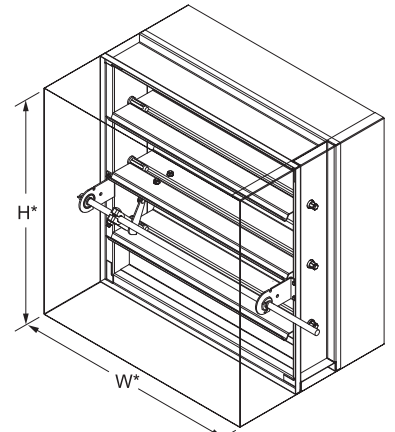
**New York City MEA listing:** 295-98-E

**Meets NFPA Standards:** 90A, 92A, 92B and 101

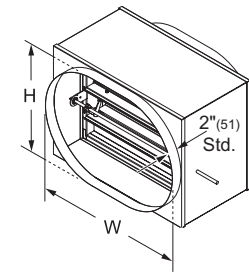
**Meets Building Code Standards:** IBC, NBC, NFPA, SBC and UBC



**Type R (optional)**  
Round duct transitions are standard with D=W=H. (available with D<W and H)



Model **FSD-141**  
(standard)



**Type O (optional)**  
Oval duct transitions are standard with W and H equal to damper width and height dimensions. (available with W and H smaller than damper width and height)

\*Damper dimensions furnished approximately ¼" (6) undersize. (sleeve thickness not included)



## Air Performance

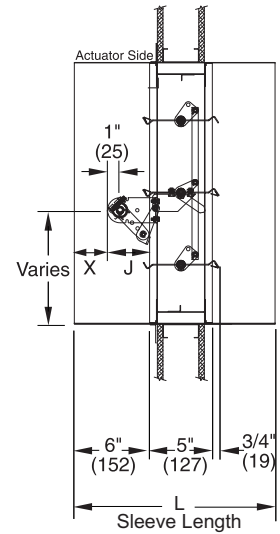
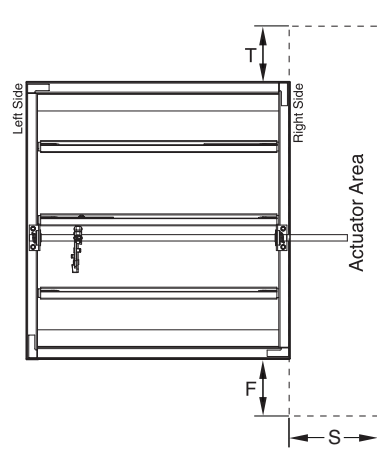
Pottorff certifies that the model FSD-141 shown herein is licensed to bear the AMCA seal. The ratings shown are based on tests and procedures performed in accordance with AMCA publication 511 and comply with the requirements of the AMCA Certified Ratings Program. The AMCA Certified Ratings Seal applies to air performance ratings only.

**NOTE:** Dimensions in parentheses ( ) are millimeters.

# Actuator and Sleeve Dimensional Data

The drawings and corresponding table illustrate the position of the damper when mounted in a factory sleeve and the relative space required for a given actuator. The standard mounting locations provide enough space for installation of retaining angles and duct connections.

|                 | Damper Height           | Actuator Model    |                   |                  |                  |              |              |
|-----------------|-------------------------|-------------------|-------------------|------------------|------------------|--------------|--------------|
|                 |                         | FSLF120<br>FSLF24 | FSNF120<br>FSNF24 | GGD221<br>GGD121 | ML4115<br>ML8115 | 331-4826     | 331-2998     |
| F               | 6"-7"                   | 5"                | 7"                | 9"               | 5"               | 9"           | 13"          |
|                 | 8"-9"                   | 4"                | 7"                | 8"               | 4"               | 8"           | 12"          |
|                 | 10"-11"                 | 1"                | 4"                | 6"               | 1"               | 5"           | 9"           |
|                 | 12"-13"                 | 0"                | 3"                | 5"               | 0"               | 4"           | 8"           |
|                 | 14"                     | 0"                | 2"                | 4"               | 0"               | 4"           | 8"           |
|                 | 15"-16"                 | 0"                | 1"                | 3"               | 0"               | 3"           | 7"           |
|                 | 17"                     | 0"                | 3"                | 5"               | 0"               | 5"           | 9"           |
|                 | 18" and 23"             | 0"                | 0"                | 0"               | 0"               | 0"           | 3"           |
|                 | 19"-20" and 25"         | 0"                | 0"                | 0"               | 0"               | 0"           | 2"           |
|                 | 21"-22" and 24"         | 0"                | 0"                | 0"               | 0"               | 0"           | 0"           |
| 26"-27"<br>>27" | 0"                      | 0"                | 0"                | 0"               | 0"               | 0"           |              |
| T               | 6" and 10"              | 3"                | 3"                | 3"               | 3"               | 3"           | 3"           |
|                 | 7" and 11"-12"          | 2"                | 2"                | 2"               | 2"               | 2"           | 2"           |
|                 | 8", 13"-14" and 21"     | 1"                | 1"                | 1"               | 1"               | 1"           | 1"           |
|                 | 9", 15"-17", and 20"    | 0"                | 0"                | 0"               | 0"               | 0"           | 0"           |
|                 | 18"-19"                 | 0"                | 1"                | 1"               | 0"               | 1"           | 1"           |
|                 | 22"-23" and >24"<br>24" | 0"                | 0"                | 0"               | 0"               | 0"           | 0"           |
| S               | All                     | 4-1/2"            | 4-1/2"            | 4-1/2"           | 4-1/2"           | 5"           | 7-1/4"       |
| X               | <8"<br>≥8"              | 4"<br>2-5/8"      | 4"<br>2-5/8"      | 4"<br>2-5/8"     | 4"<br>2-5/8"     | 4"<br>2-5/8" | 4"<br>2-5/8" |
| J               | <8"<br>≥8"              | 2"<br>3-3/8"      | 2"<br>3-3/8"      | 2"<br>3-3/8"     | 2"<br>3-3/8"     | 2"<br>3-3/8" | 2"<br>3-3/8" |



- NOTE:**
- Sleeve length "L" = wall/floor thickness + 10" (254). Standard sleeve length "L" = 16" (406).
  - Damper may be rotated 180° to position actuator area on the left side.
  - The entire damper frame is not required to be installed within the wall, partition or floor. However, the closed plane of the damper blades must be inside the wall, partition or floor.
  - Dimensions for FSLF120 apply to FSTF120.
  - Dimensions for FSNF120/FSNF24 apply to FSAF120/FSAF24.
  - Dimensions for ML4115/ML8115 apply to MS4209/MS8209.
  - For dimensions on actuators not shown above, contact factory.

## Airflow Performance Data

### Pressure Loss vs. Velocity

Figure 5.3 — Ducted Inlet and Outlet

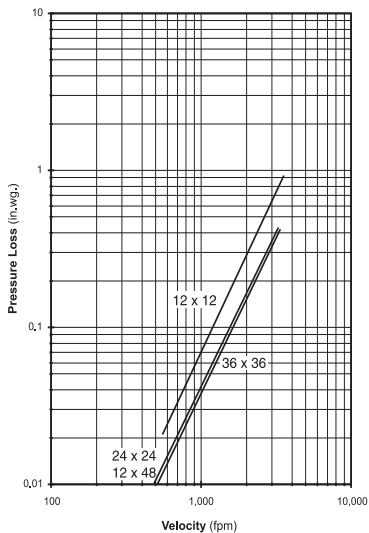


Figure 5.2 — Ducted Inlet

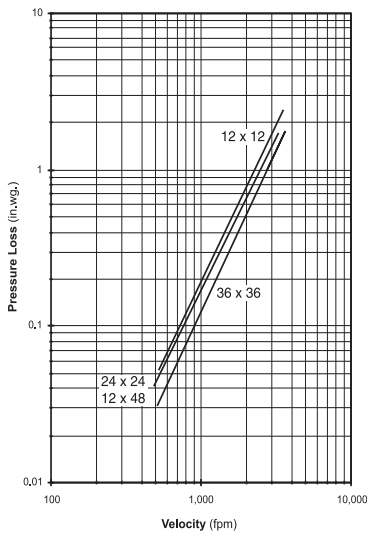
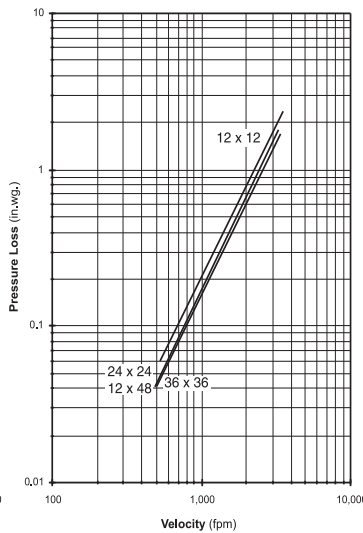


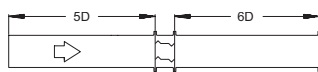
Figure 5.5 Plenum Mount



#### Air Performance

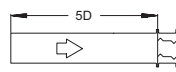
Pottorff certifies that the model FSD-141 shown herein is licensed to bear the AMCA seal. The ratings shown are based on tests and procedures performed in accordance with AMCA publication 511 and comply with the requirements of the AMCA Certified Ratings Program. The AMCA Certified Ratings Seal applies to air performance ratings only.

Pressure drop testing was performed in accordance with AMCA Standard 500-D using the three configurations shown. All data has been corrected to represent air density of 0.075 lb/ft. Actual pressure drop in any ducted HVAC system is a combination of many elements. This information, along with analysis of other system influences, should be used to estimate actual pressure losses for a damper installed in a given HVAC system.



#### Ducted Inlet and Outlet

AMCA Figure 5.3 illustrates a fully ducted damper. This configuration represents the lowest pressure drop of the three test configurations because entrance and exit losses are minimized by straight duct runs upstream and downstream of the damper.



#### Ducted Inlet

AMCA Figure 5.2 illustrates a ducted damper exhausting air into an open area. This configuration has a lower pressure drop than Figure 5.5 because entrance losses are minimized by a straight duct run upstream of the damper.



#### Plenum Mount

AMCA Figure 5.5 illustrates a plenum mounted damper. This configuration has the highest pressure drop because of extremely high entrance and exit losses due to the sudden changes of area in the system.