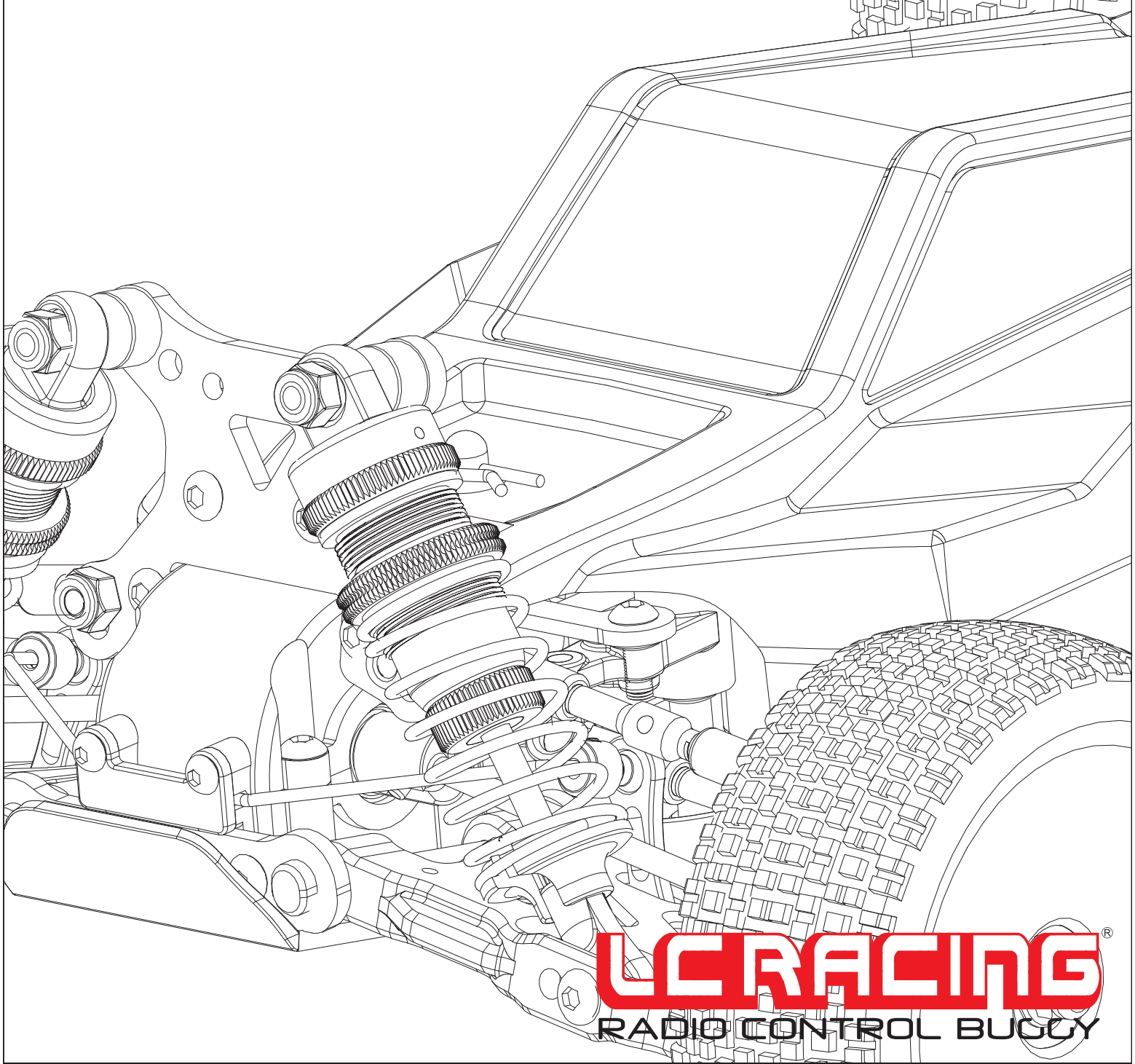


LC12B1

4WD ELECTRIC RACING BUGGY



LCRACING[®]
RADIO CONTROL BUGGY

SYMBOLS USED



Apply oil



Apply grease



Apply threadlock



Apply CA glue



Assemble as many times as specified



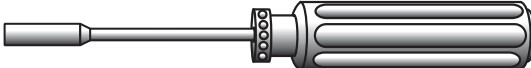
Option parts

TOOLS REQUIRED

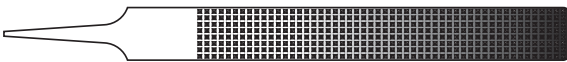
2.0mm 

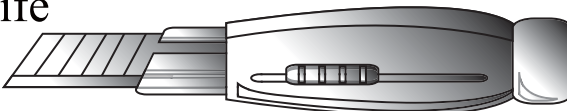
1.5mm 

Allen wrench
内六角螺丝刀

5.5mm Nut Driver
5.5mm套筒 

Screwdriver PHOD 20mm
十字螺丝刀 

Tweezers
镊子/小钳子 

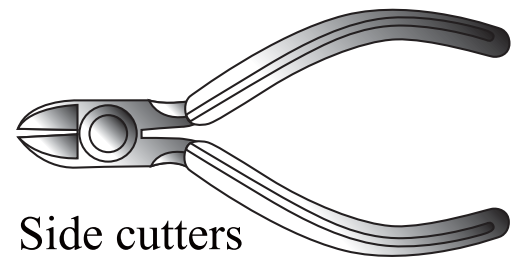
Modelling knife
美工刀 



Scissors
剪刀



Long nose pliers
尖嘴钳



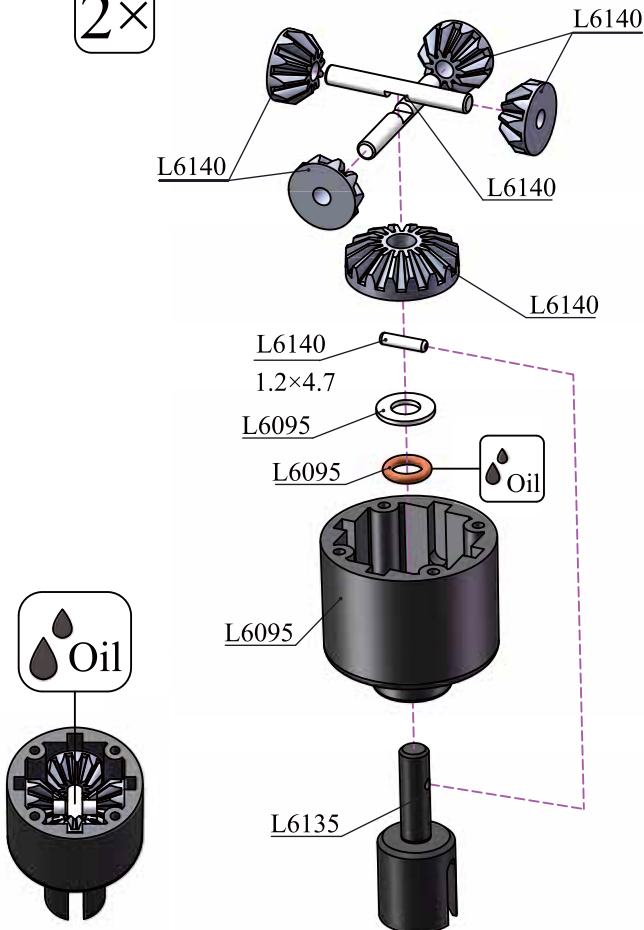
Side cutters
斜口钳



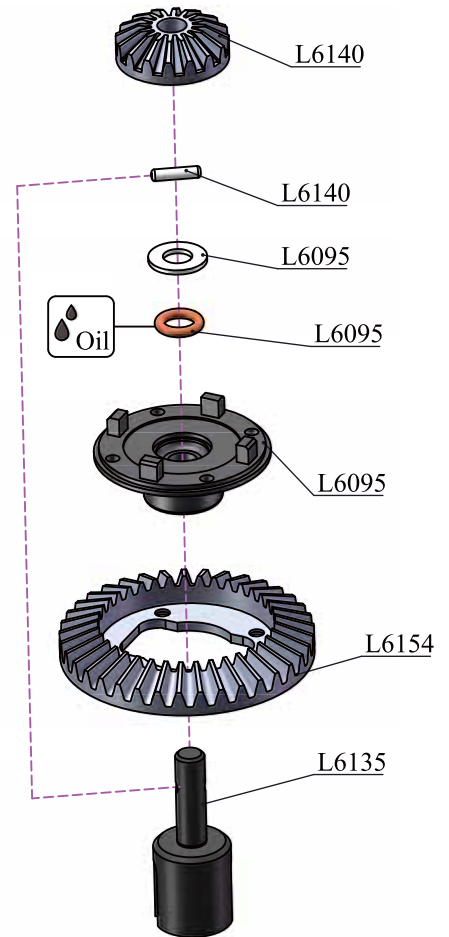
Reamer
扩孔器

Bag A 1. GEAR DIFFERENTIAL

2×



2×



L6125
8×12×3.5mm



L6095
3×5×0.5mm



L6140
∅1.2×4.7mm



L6095
KM1.4×10mm

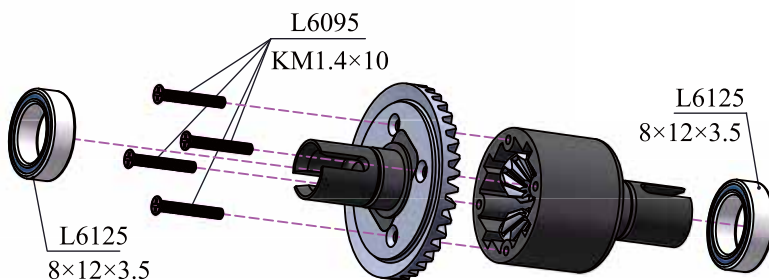


L6140
∅2×10.8mm

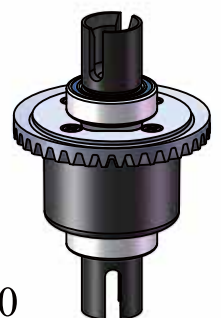


L6095
O 3×0.5mm

2×



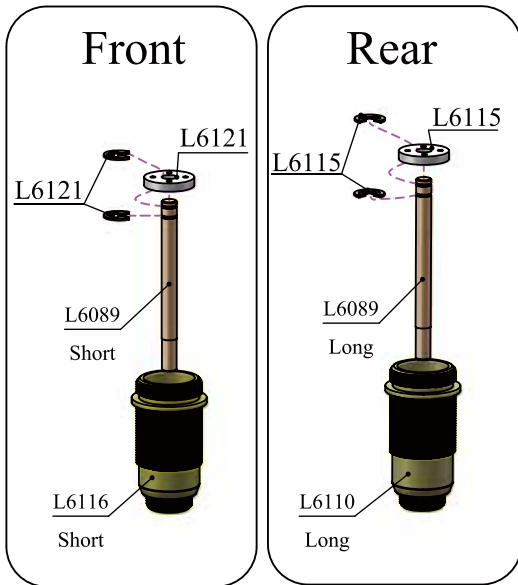
2×



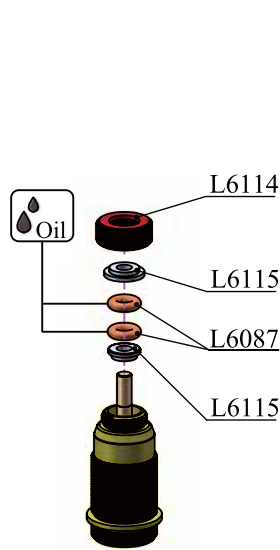
L6140

Bag B 1. SHOCK ABSORBERS

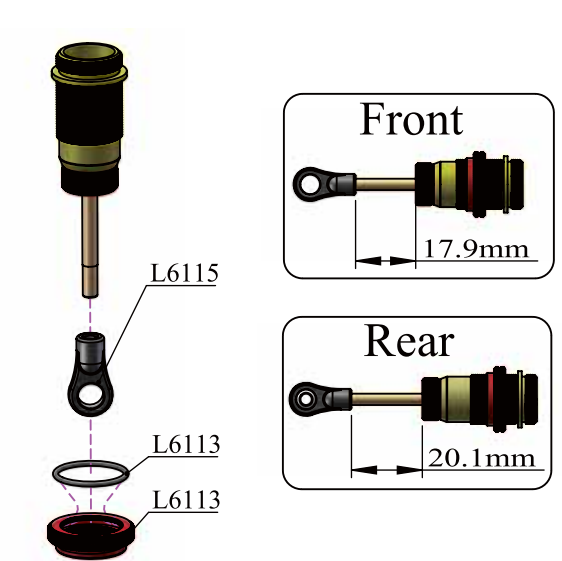
2×



4×



4×



L6121



L6115/L6121
SØ 5.8

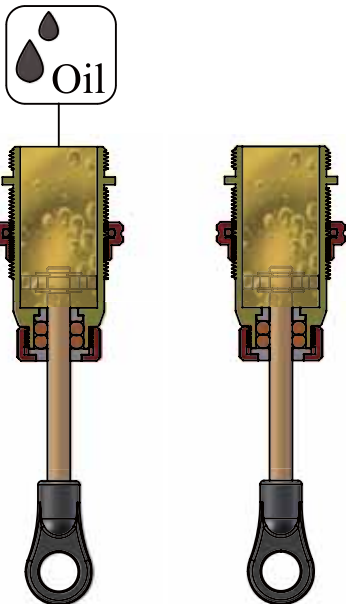


L6113
O 13×1.0



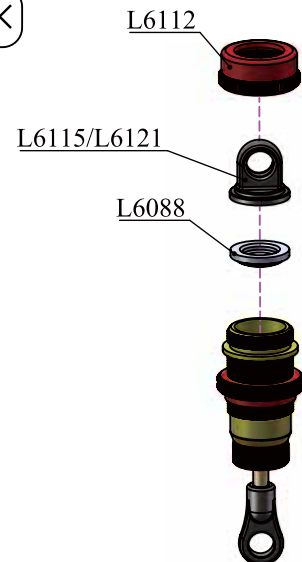
L6087
O 2.8×1.9

4×



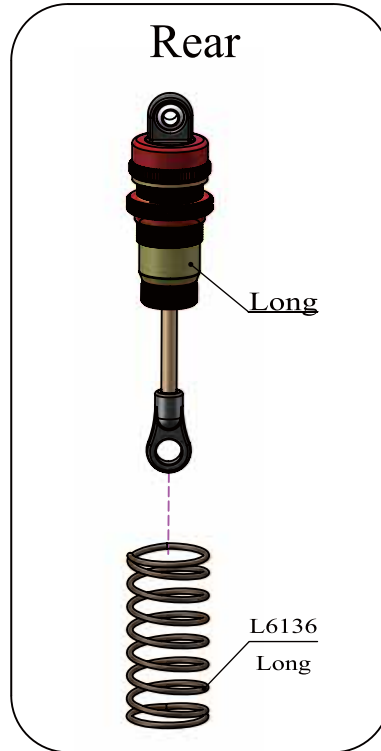
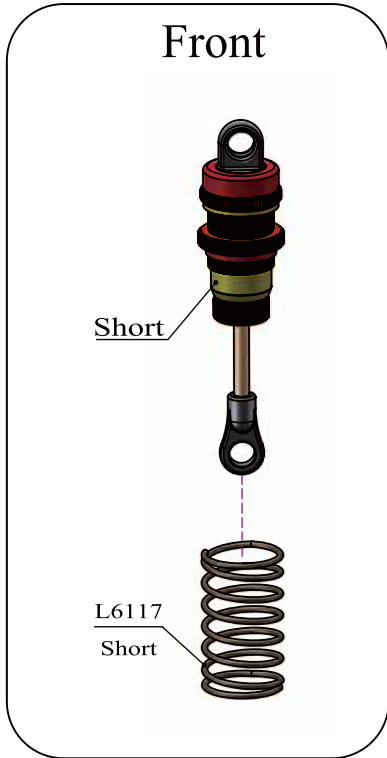
↑ Move the shock shaft up and down slowly a few times to release bubble air ↓

4×



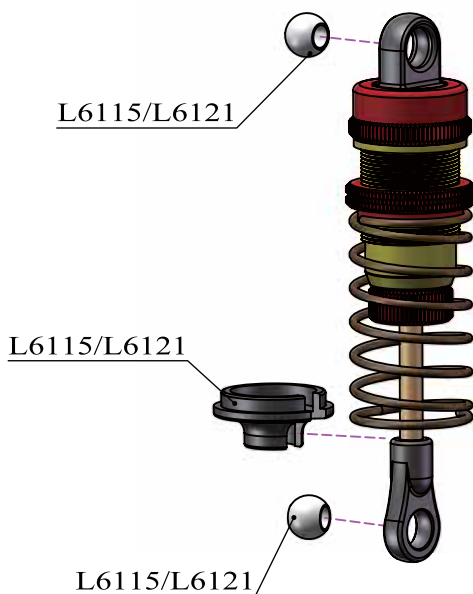
Bag B 2. SHOCK ABSORBERS

2x

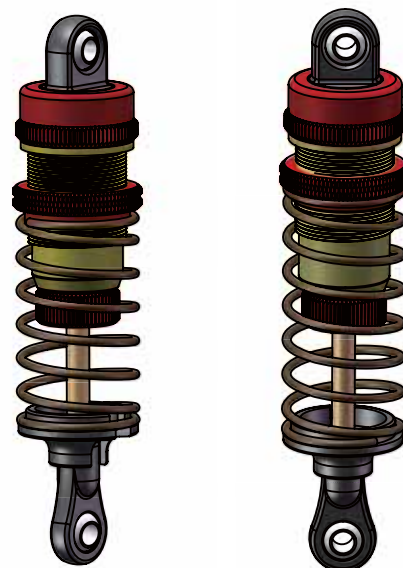


Front Springs	
L6117	∅ 1.1
L6137	∅ 1.2
L6139	∅ 1.3
Rear Springs	
L6111	∅ 1.0
L6136	∅ 1.1
L6138	∅ 1.2
L6197	∅ 1.3

4x

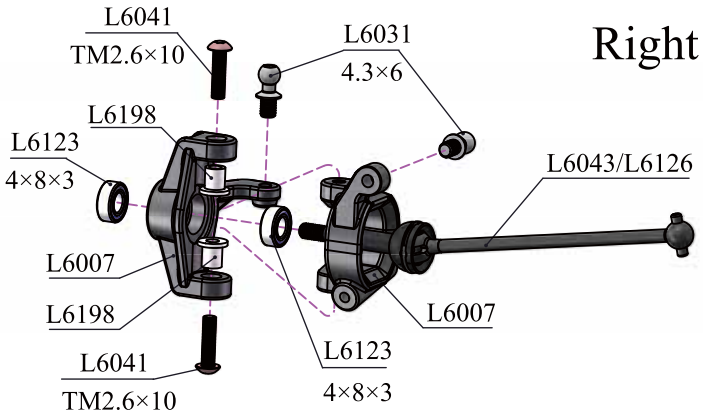


Two front shocks over all length must be same
Two rear shocks over all length must be same

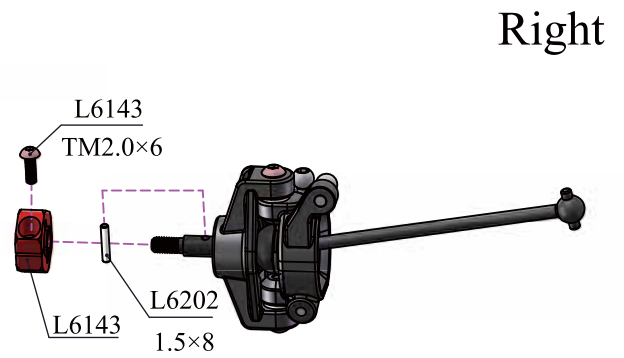


Bag C

1. FRONT SUSPENSION ASSEMBLY

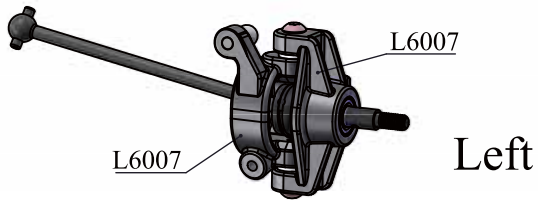


Right



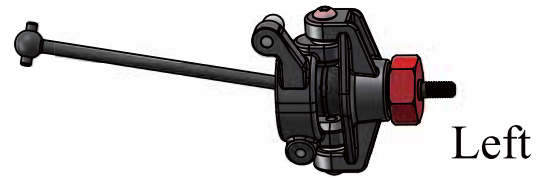
Right

Same way to assemble



Left

Same way to assemble



Left



L6031
SØ 4.3×6mm



L6119
M3×6mm



L6041
TM2.6×10mm



L6123
4×8×3mm



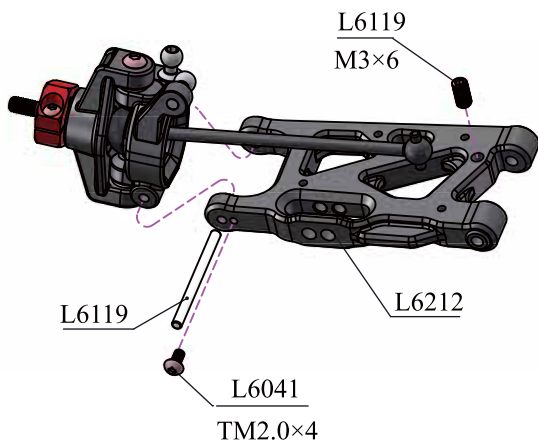
L6041
TM2.0×6mm



L6031
SØ 4.3×6mm

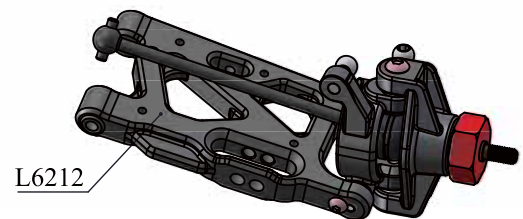


L6202
Ø1.5×8mm



Right

Same way to assemble



Left

Bag C 4. FRONT SUSPENSION ASSEMBLY



L6041/L6097
M3



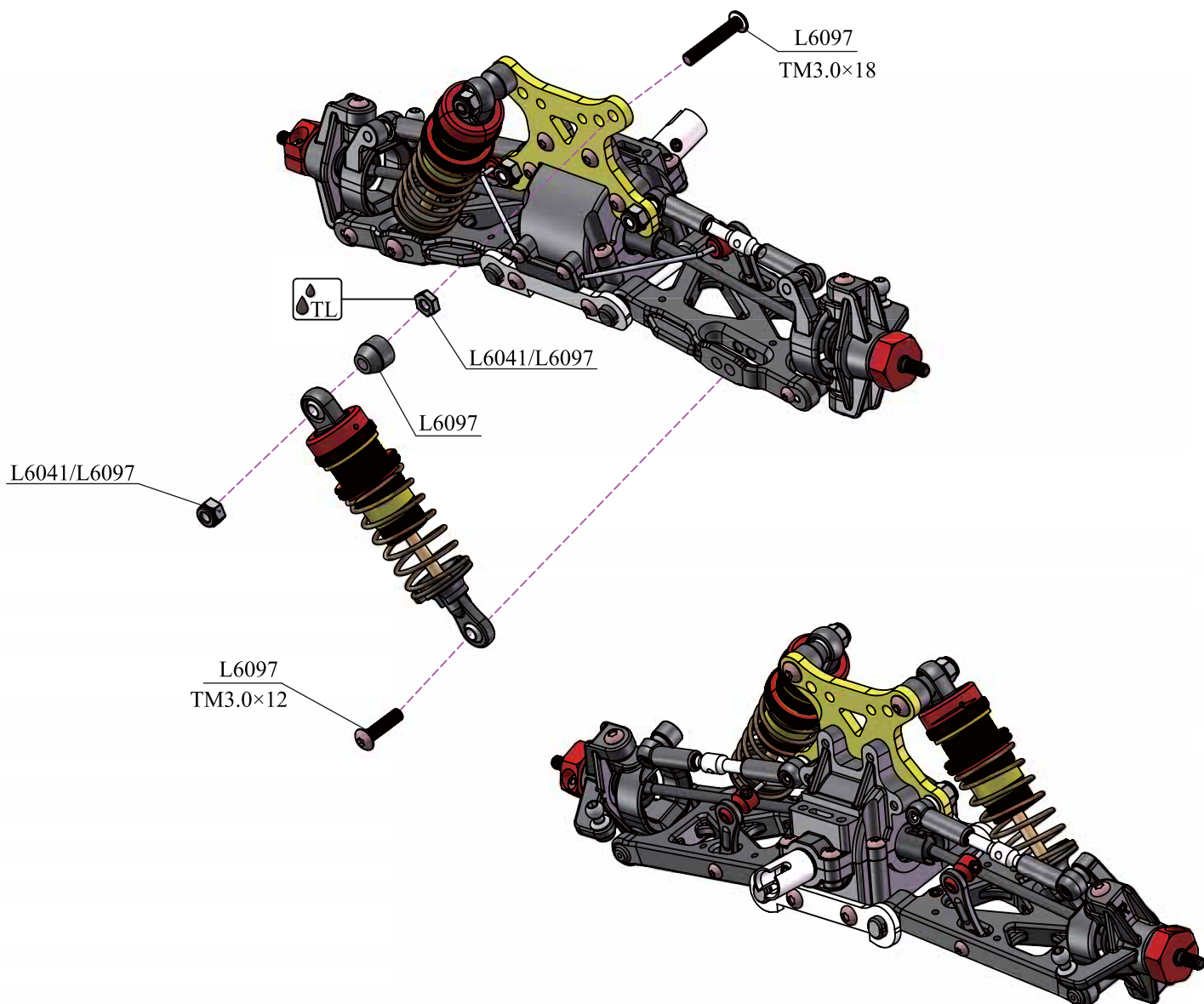
L6041/L6097
TM3.0×12mm



L6041/L6097
TM3.0×18mm

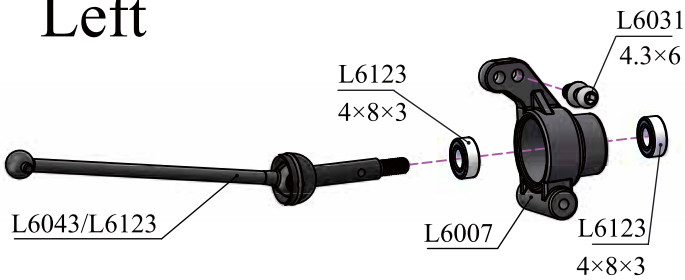


L6041/L6097
M3

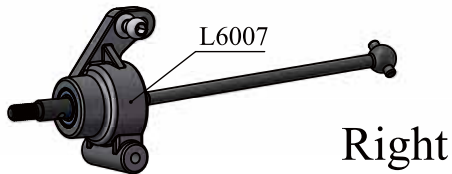


Bag D 1. REAR SUSPENSION ASSEMBLY

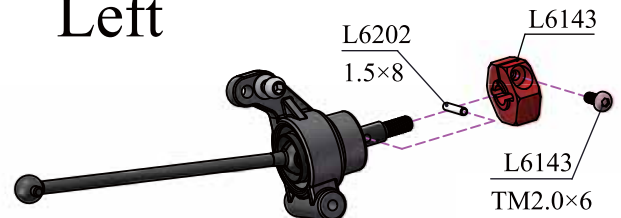
Left



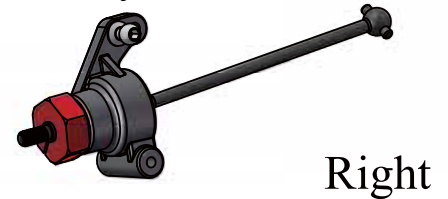
Same way to assemble



Left



Same way to assemble



L6031
SØ4.3x6mm



L6119
M3x10mm



L6123
4x8x3mm



L6041
TM2.0x4mm

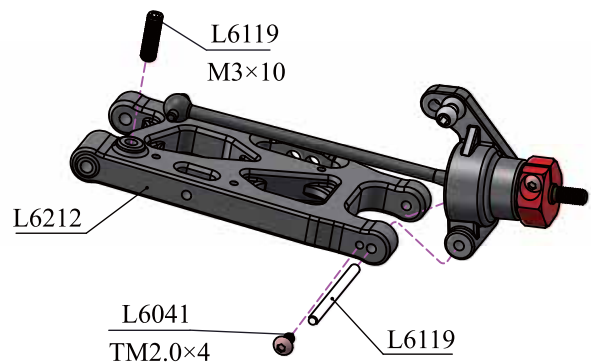
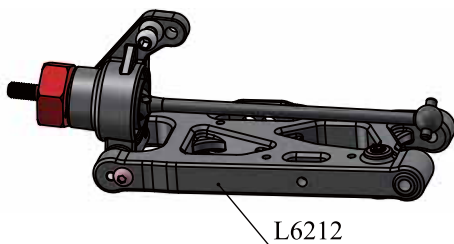


L6143
TM2.0x6mm



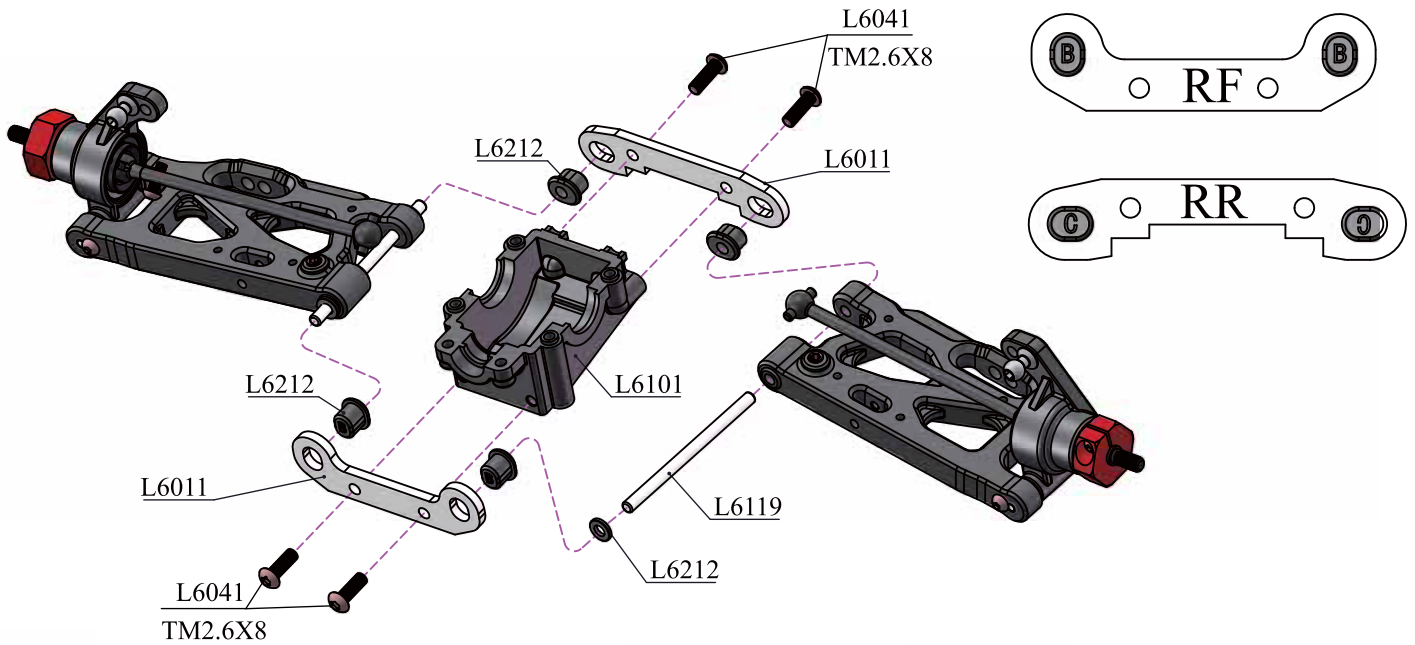
L6202
Ø1.5x8mm

Same way to assemble



Left

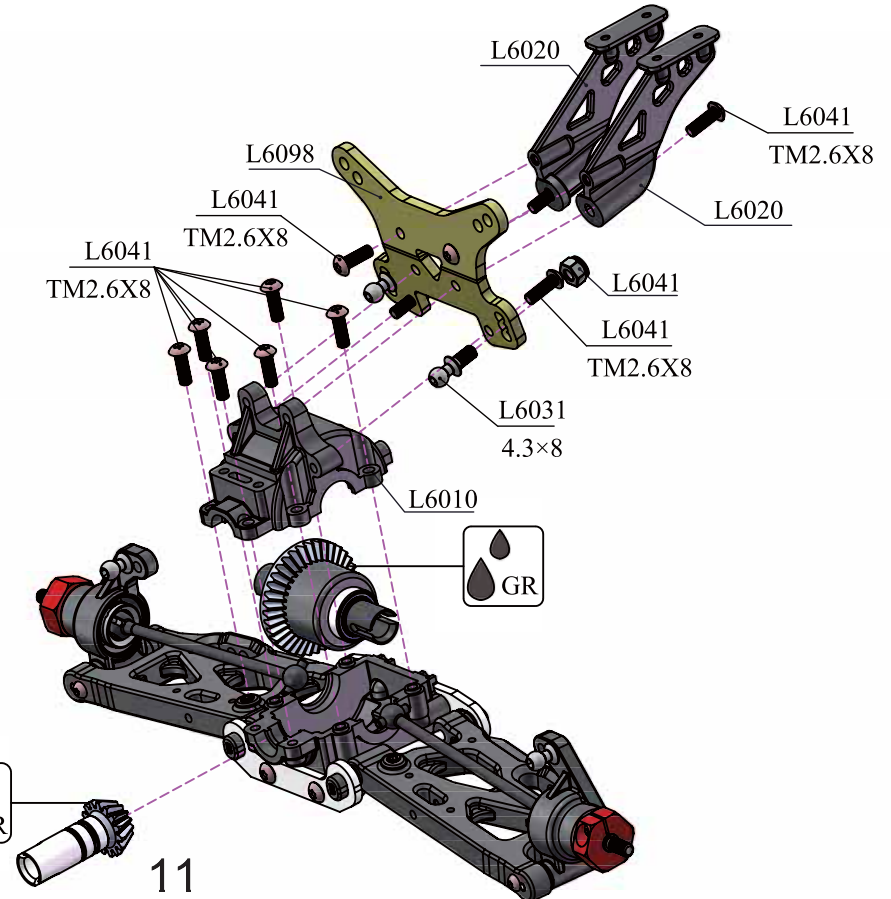
Bag D 2. REAR SUSPENSION ASSEMBLY



L6123 4×8×3mm	L6041 KM2.0×4mm	L6041 M3	L6041 TM2.6X8mm	L6031 SØ4.3×8mm	L6013 Ø1.5×6mm	L6013 M3×3

Option Parts

Outdrive Set (L6232)



Bag D 4. REAR SUSPENSION ASSEMBLY



L6041/L6098
TM3.0×12mm



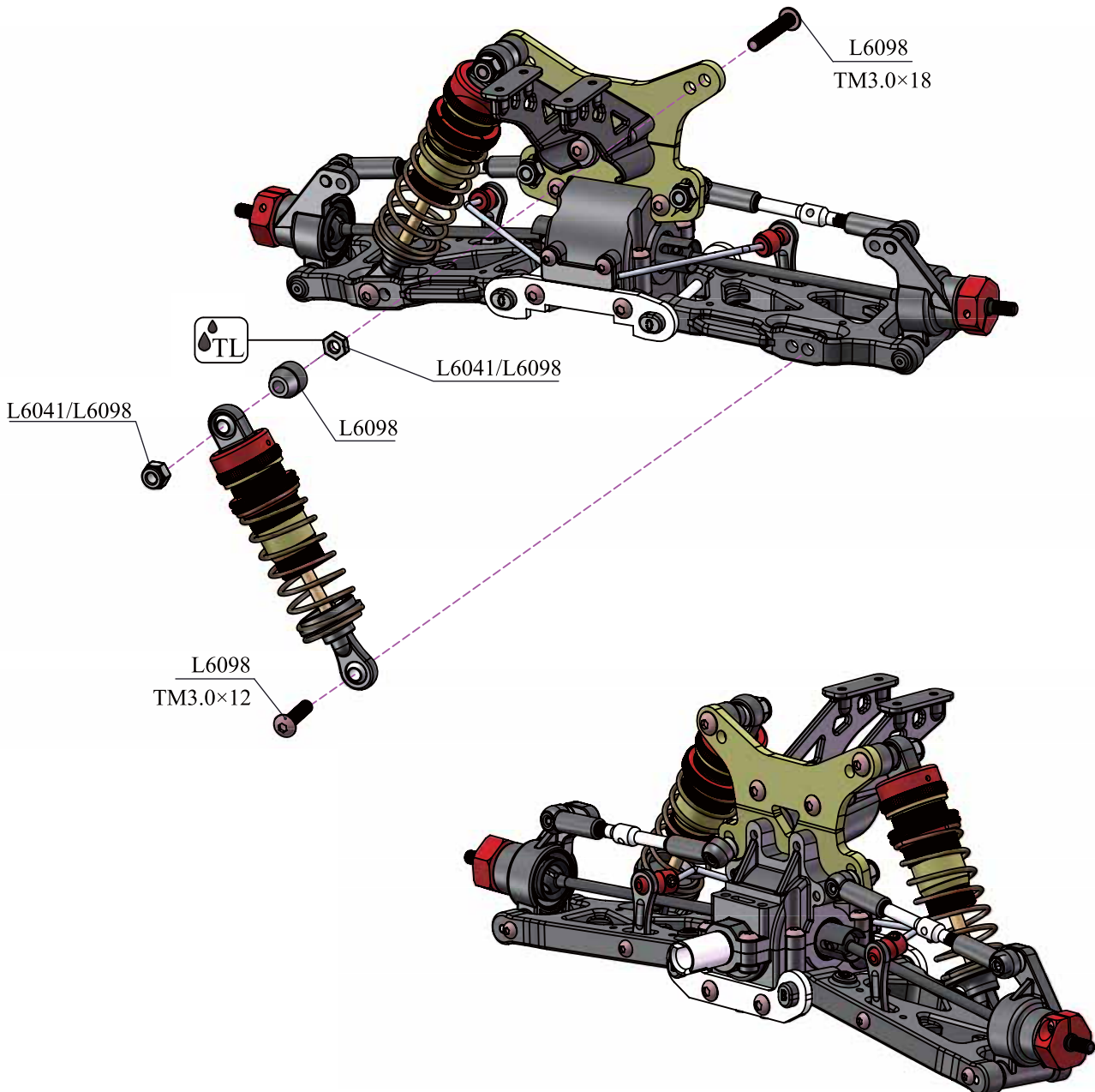
L6041/L6098
TM3.0×18mm



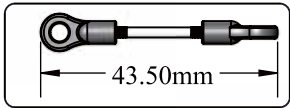
L6041/L6098
M3



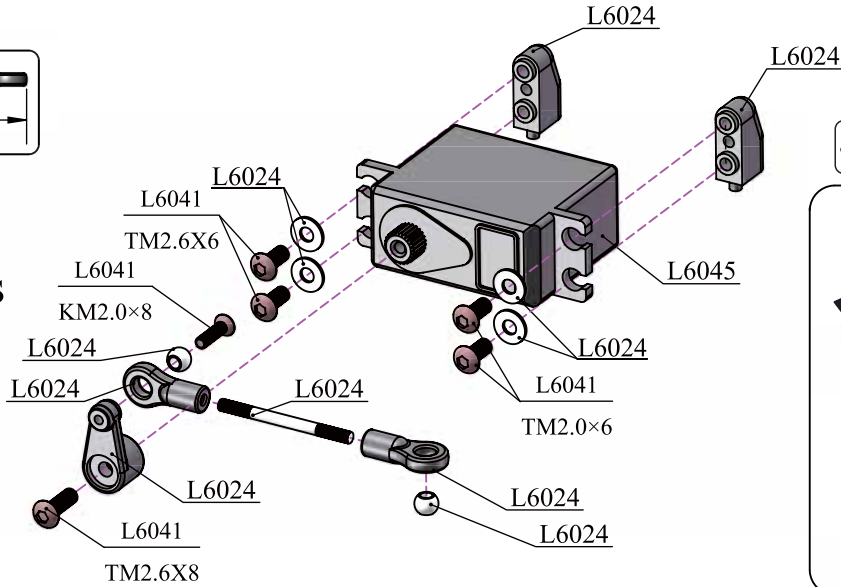
L6041/L6098
M3



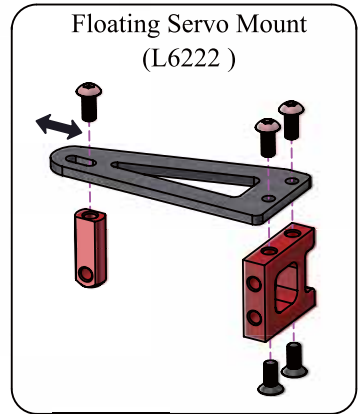
Bag E 1. STEERING



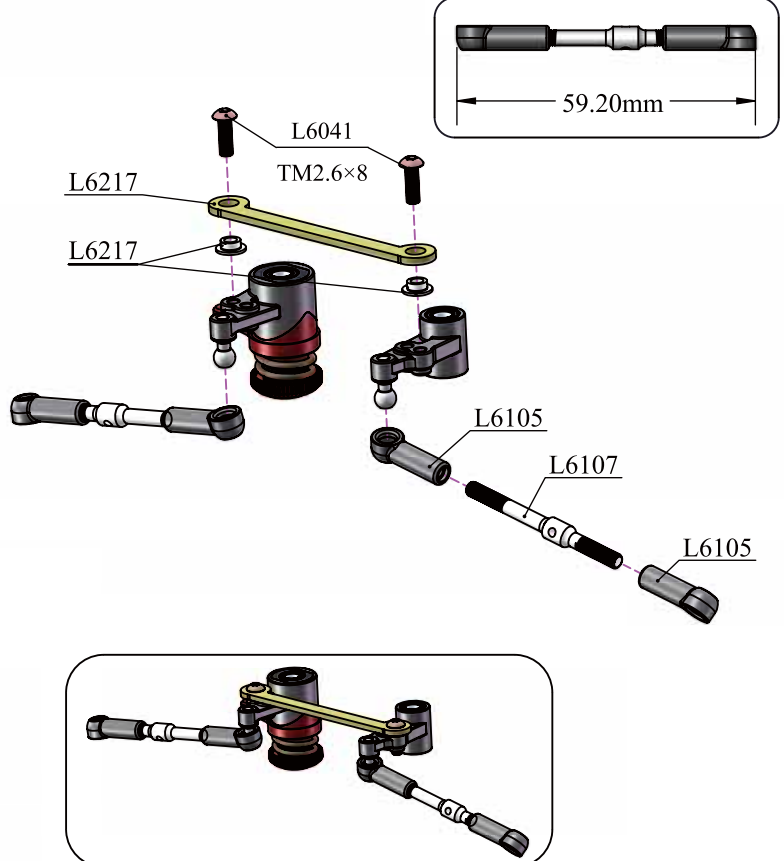
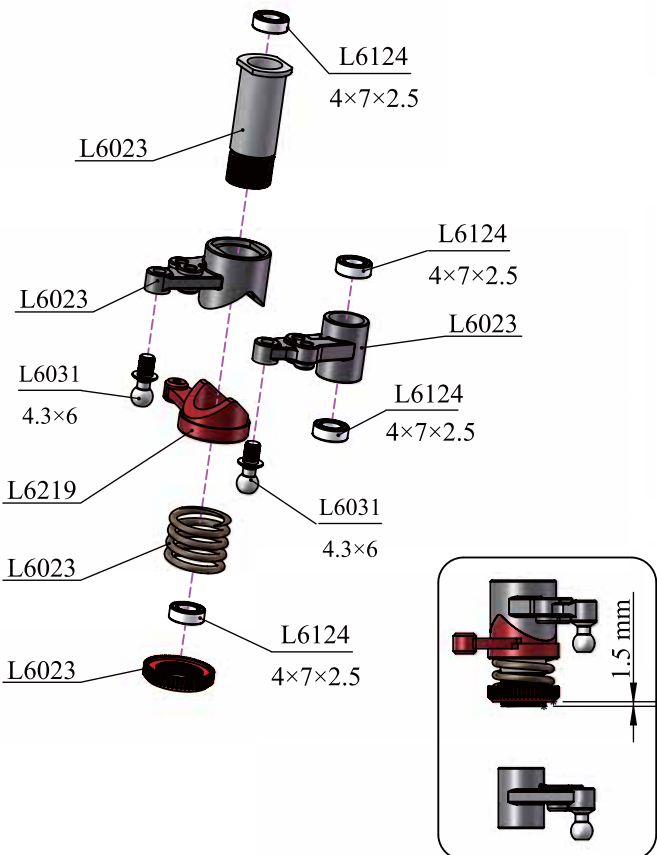
Option Parts



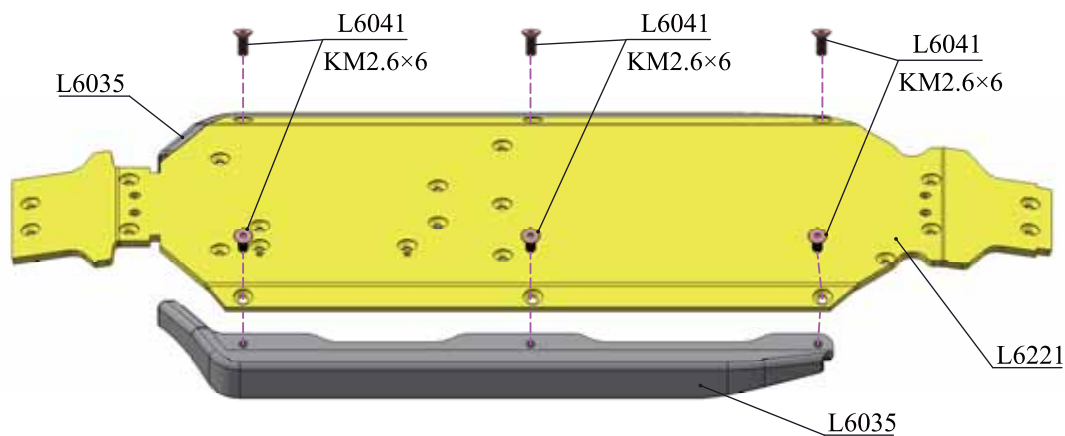
Option Parts



L6041	L6024	L6024	L6041	L6041	L6031	L6124	L6041
KM2.0×8mm	SØ 4.0	2.6×6×0.5mm	TM2.6×8mm	TM2.6×6mm	SØ 4.3×6mm	4×7×2.5mm	TM2.6×8mm



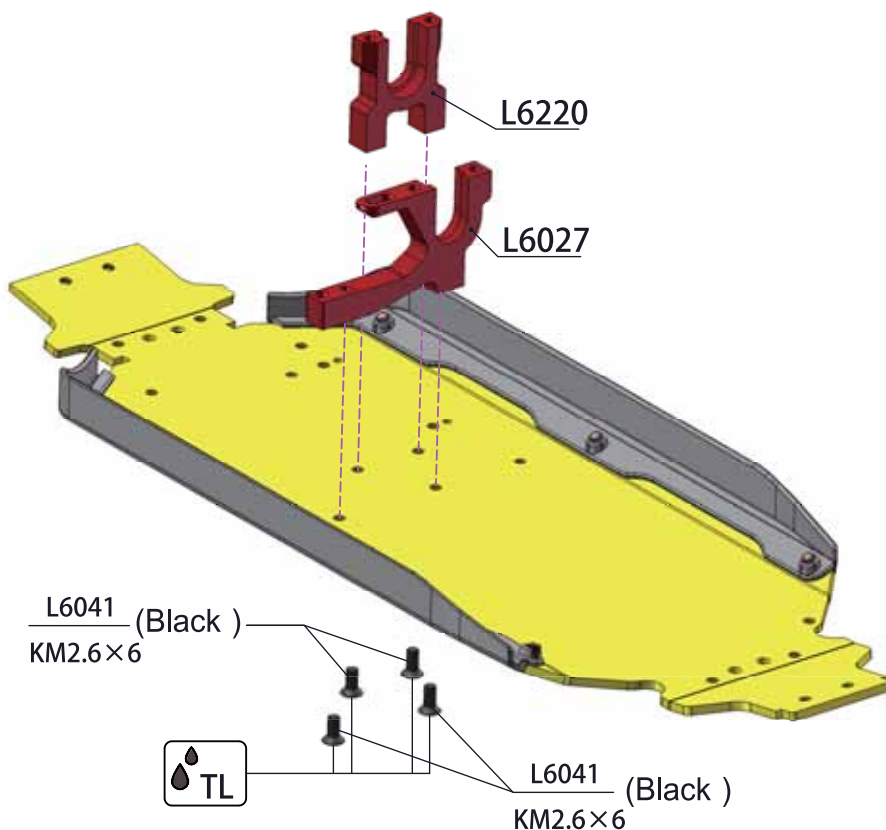
Bag F 1. CHASSIS



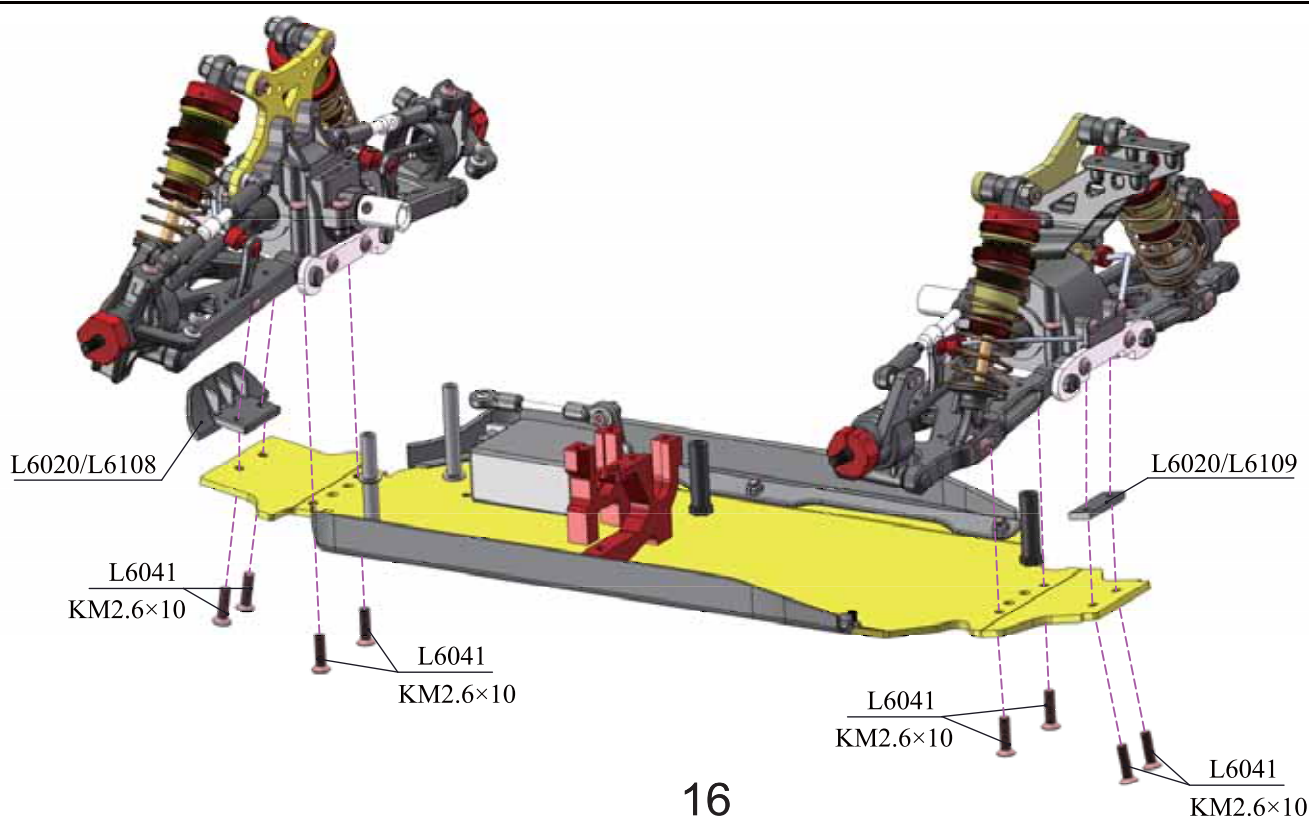
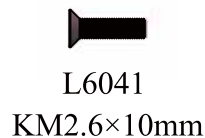
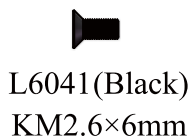
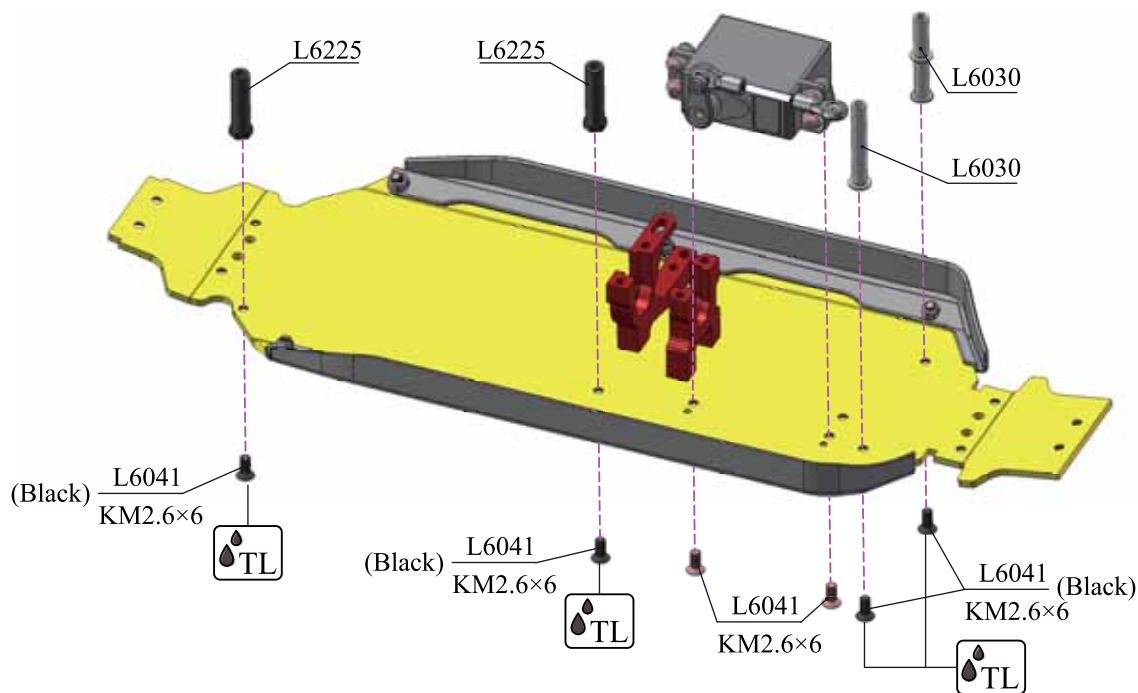
L6041
KM2.6x6mm



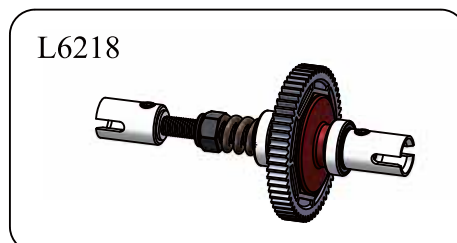
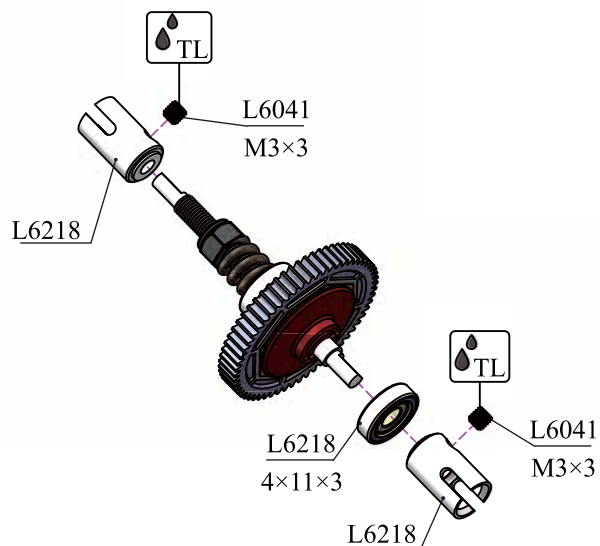
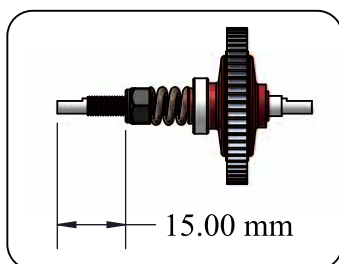
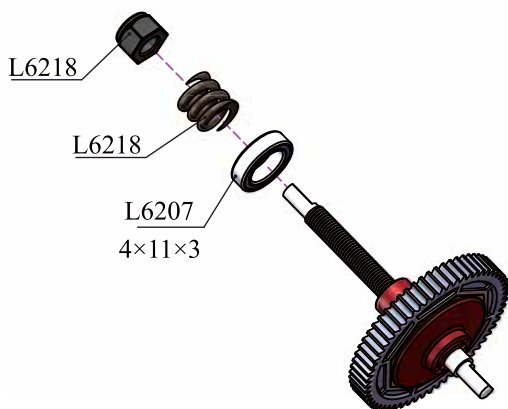
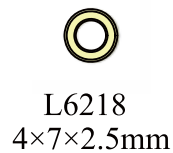
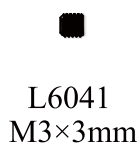
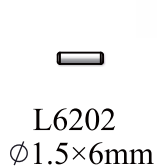
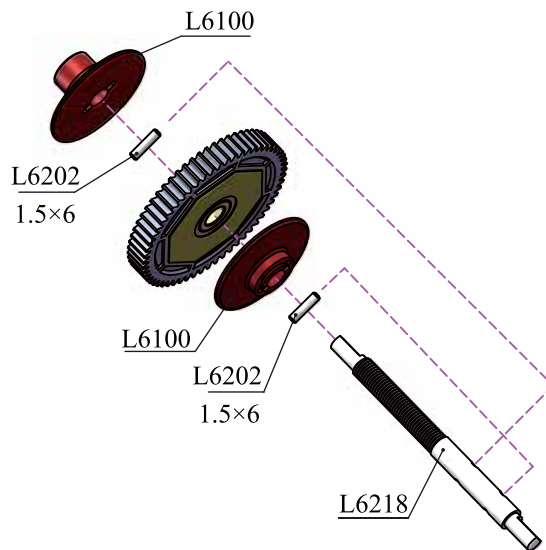
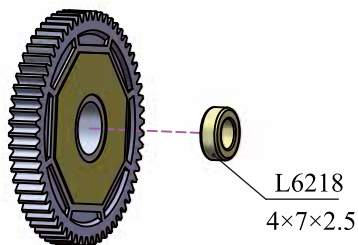
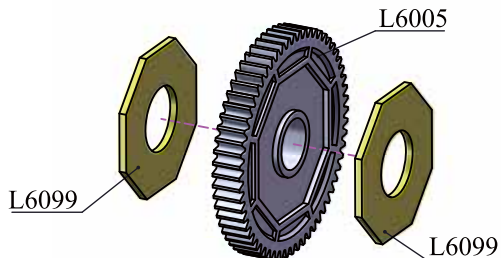
L6041(Black)
KM2.6x6mm



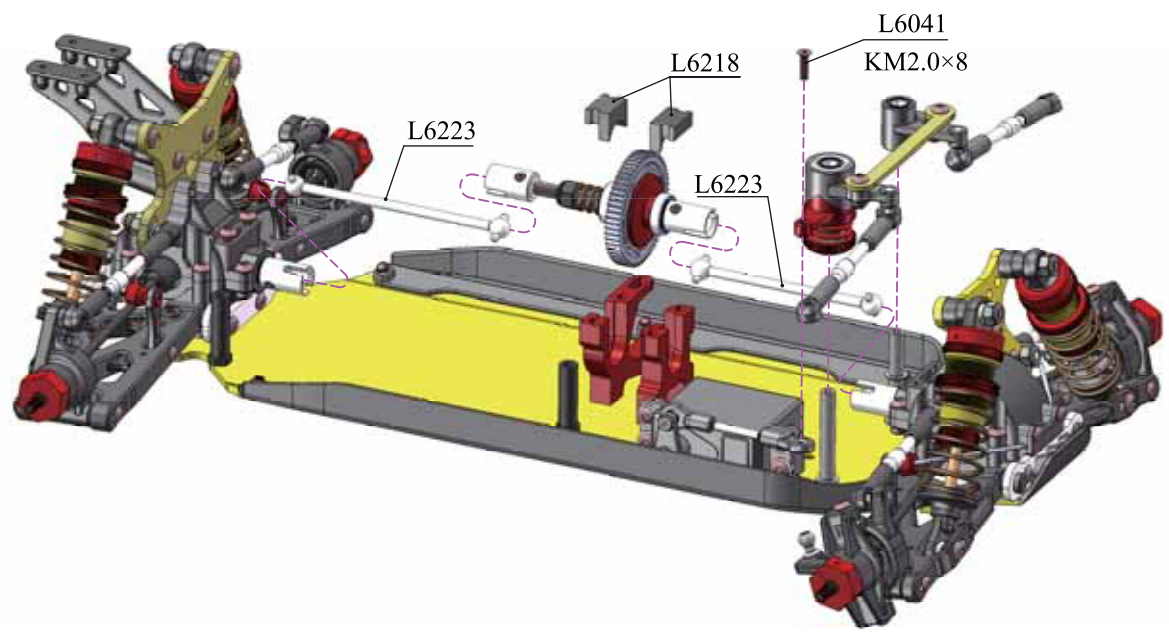
Bag F 2. CHASSIS




Bag F 3. SLIPPER CLUTCH ASSEMBLY




Bag F 4. FINAL ASSEMBLY

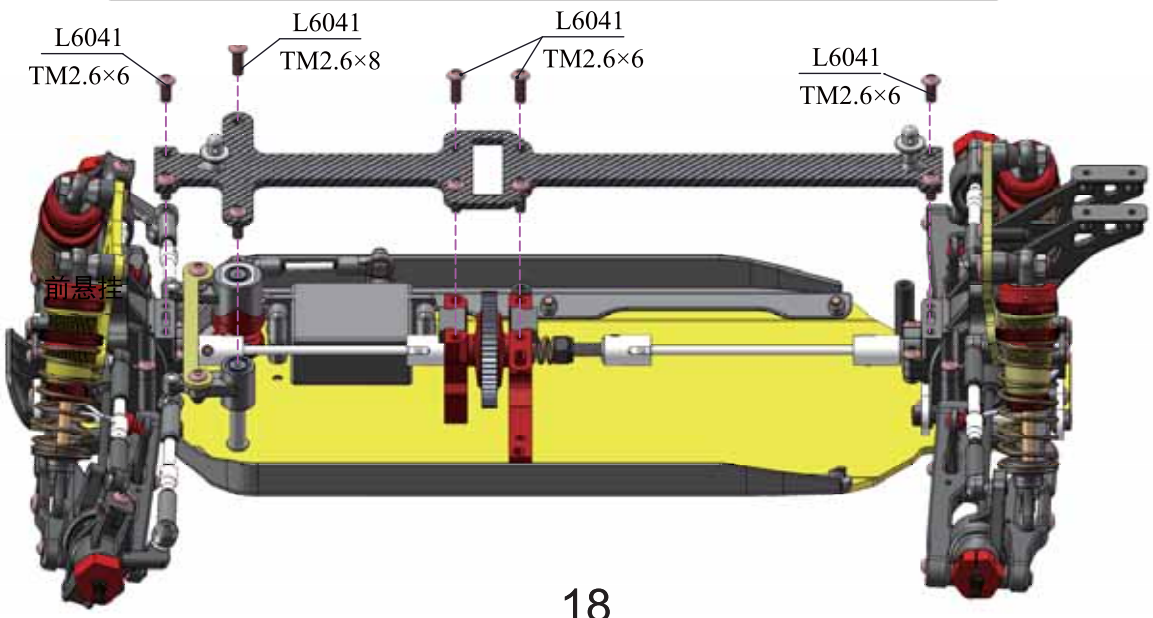
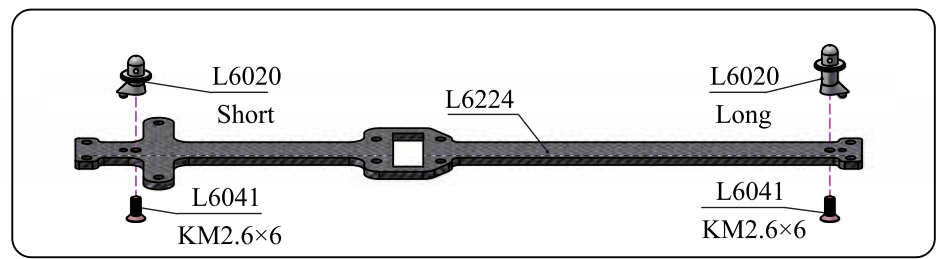



L6041
KM2.0×8mm

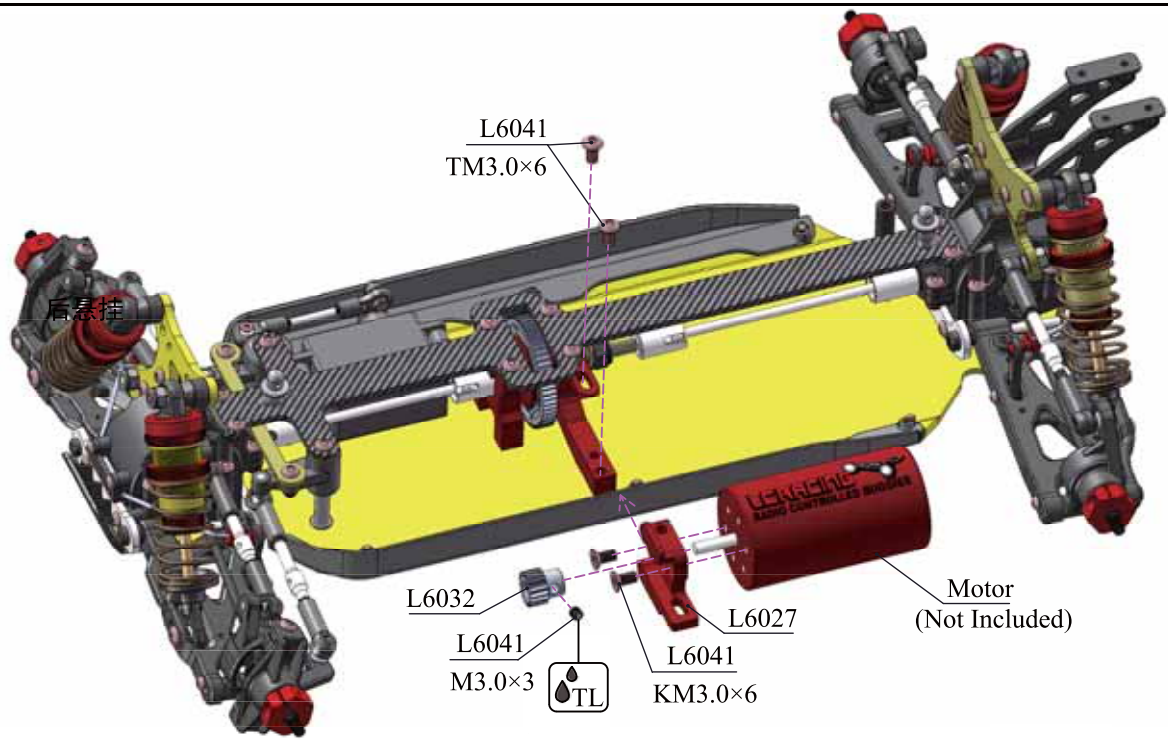

L6041
KM2.6×6mm


L6041
KM2.0×8mm


L6041
TM2.6×6mm




Bag F 5. FINAL ASSEMBLY

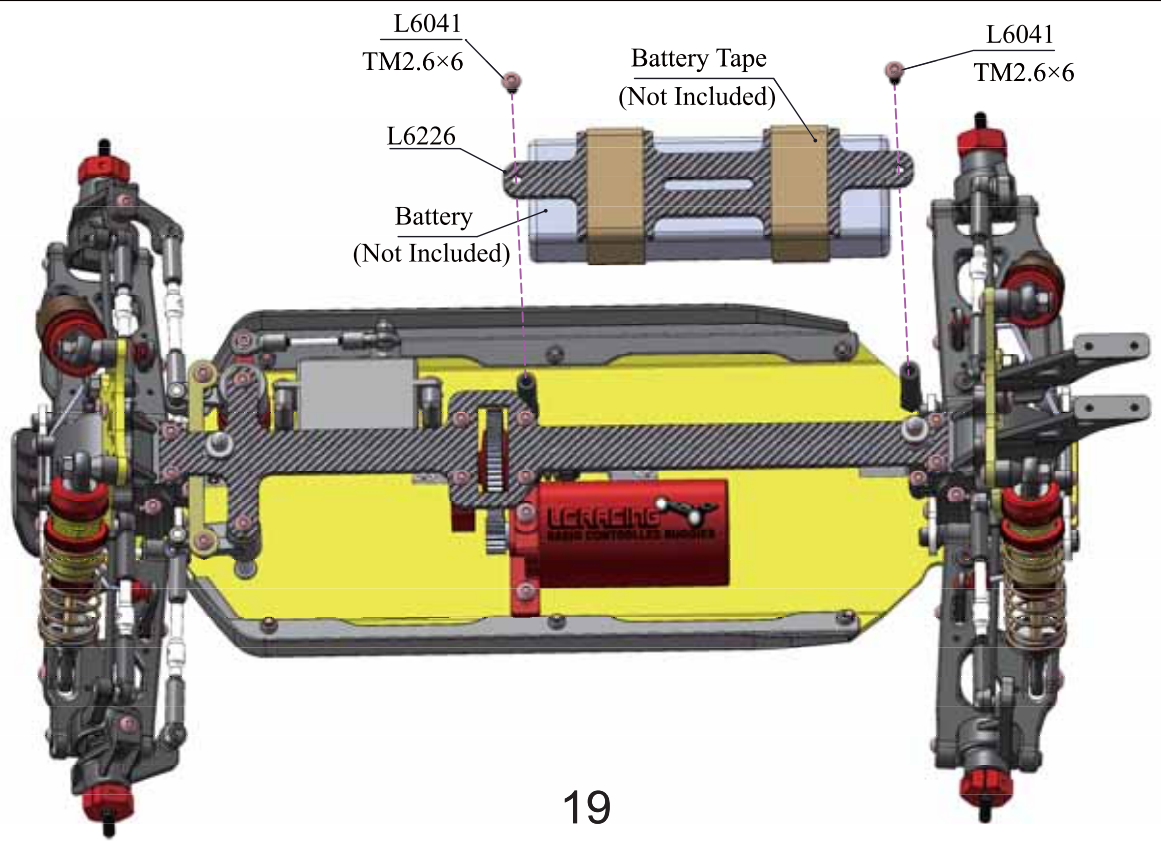



L6041
TM3.0x6mm


L6041
KM3.0x6mm

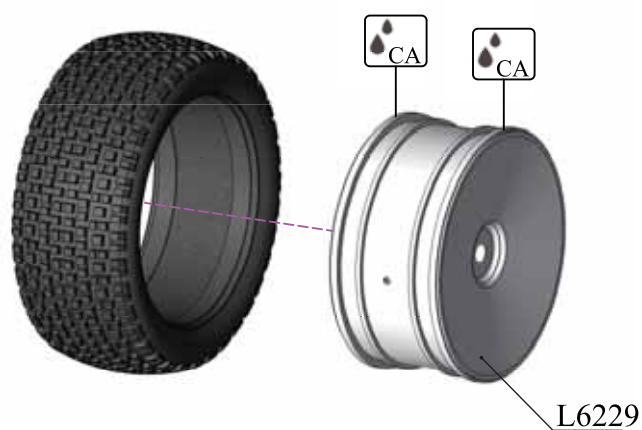
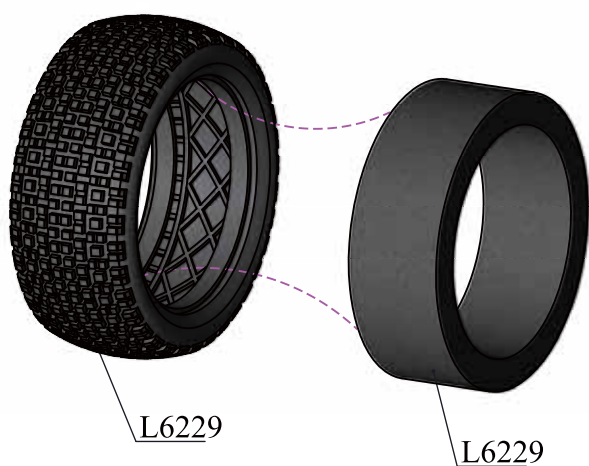

L6041
M3.0x3mm


L6041
TM2.6x6mm

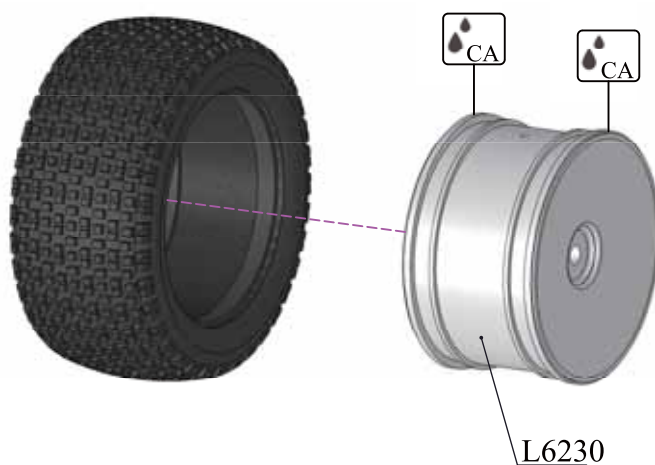
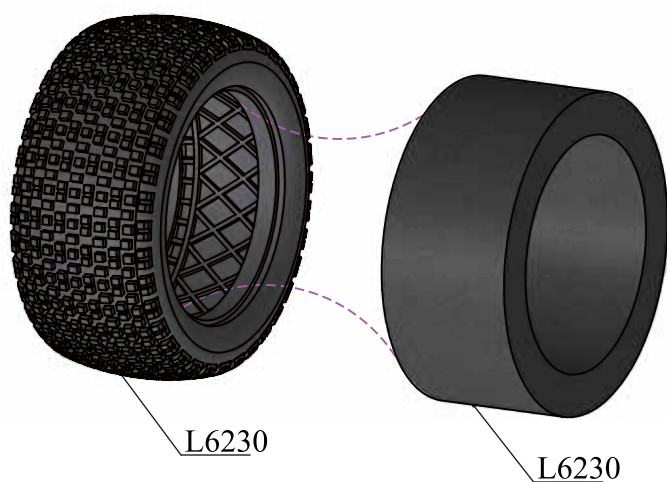


Bag F 6. TIRE ASSEMBLY

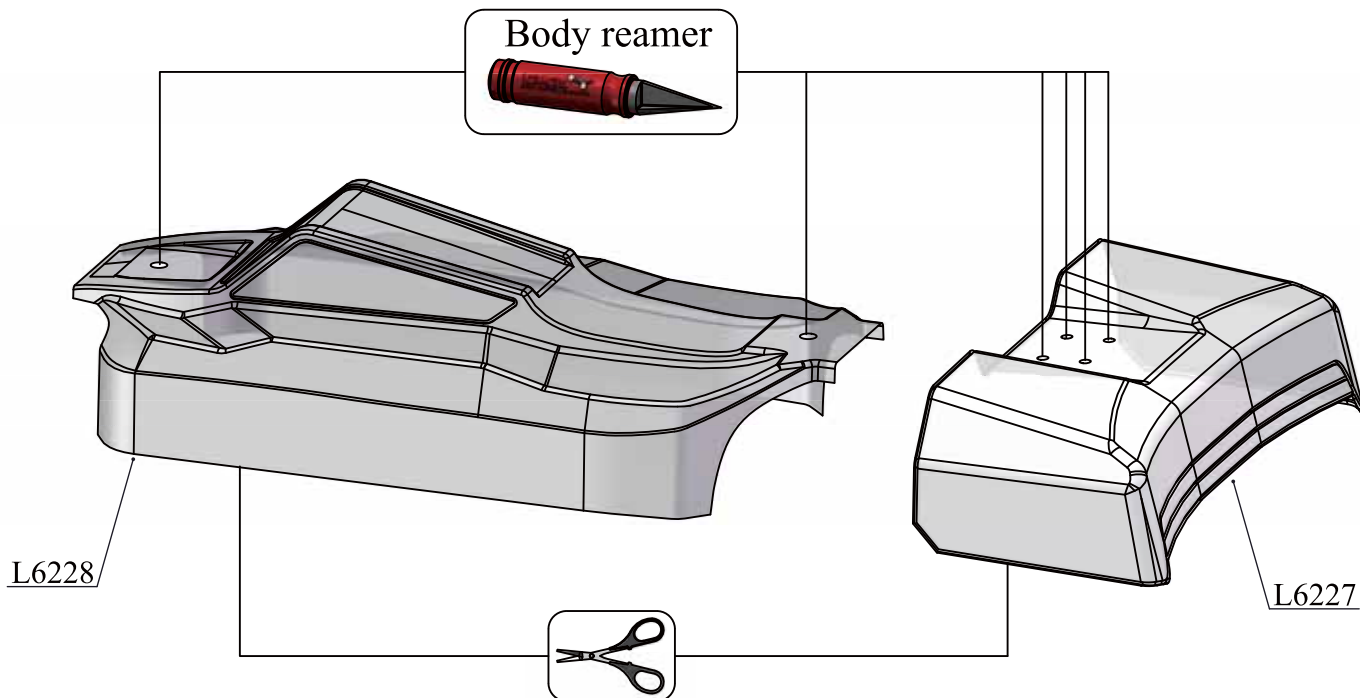
2× Front wheel (narrow)



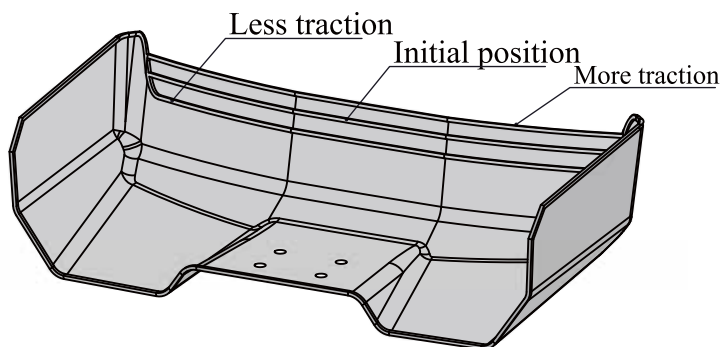
2× Rear wheel (wide)



Bag F 7. FINAL ASSEMBLY



Wing cutting options



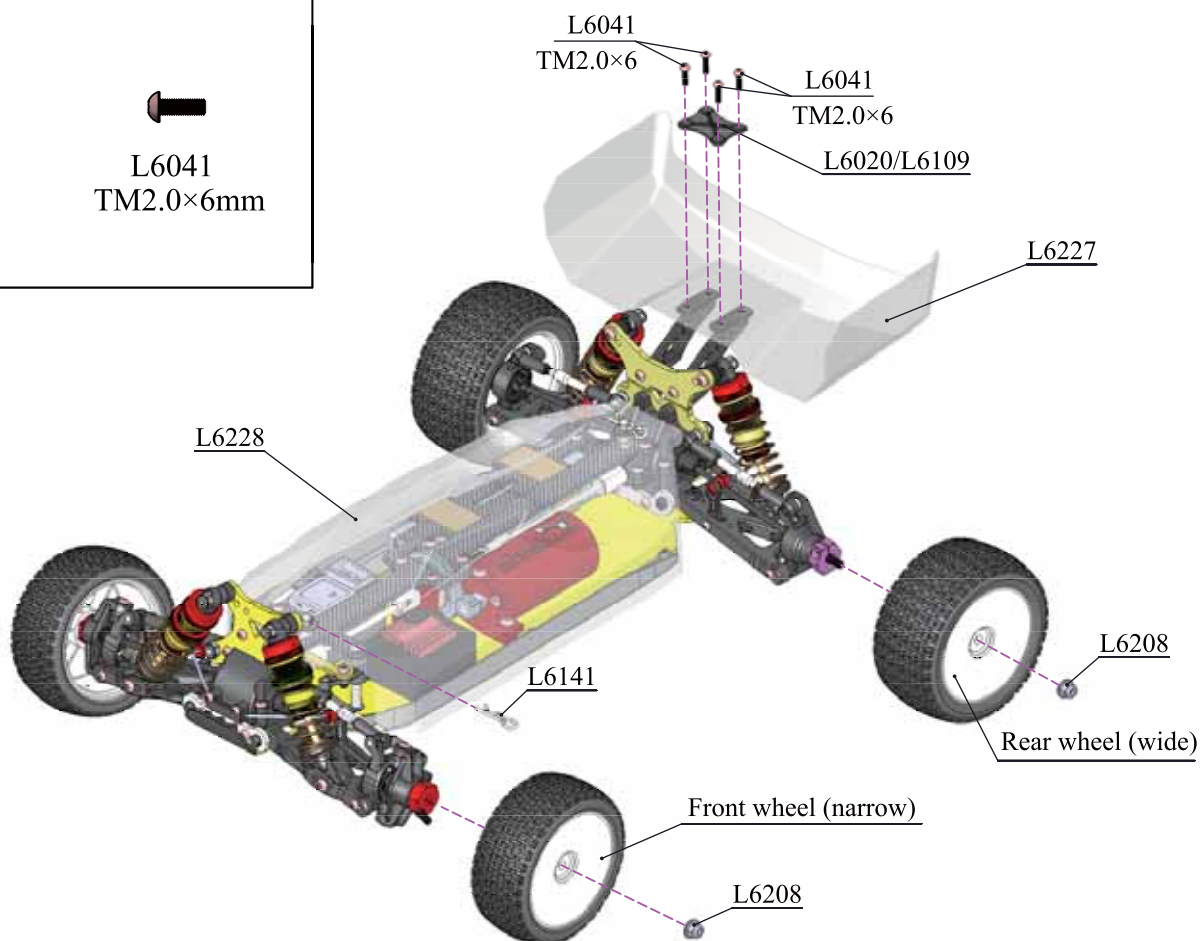
Bag F 8. FINAL ASSEMBLY



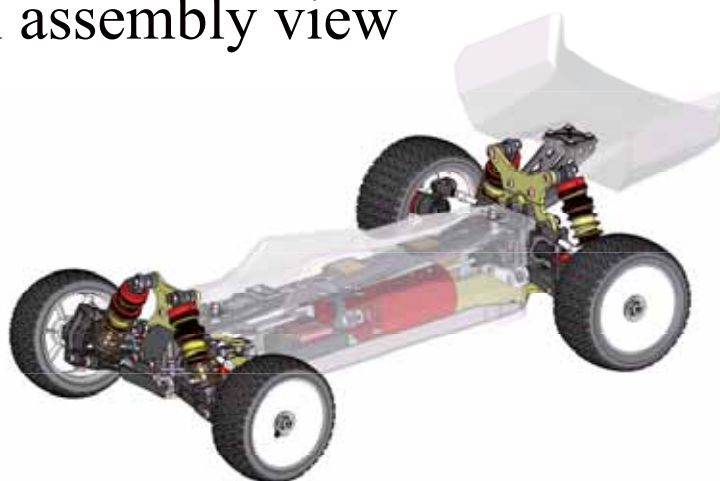
L6208
M3



L6041
TM2.0×6mm



Final assembly view



LCRACING[®]

RADIO CONTROL BUGGY

NOTES

SMALL CAR BIG FUN

