

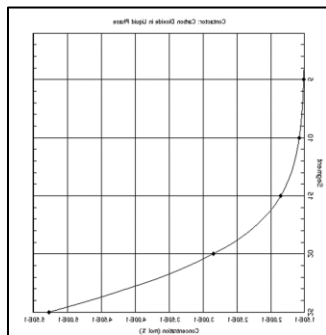
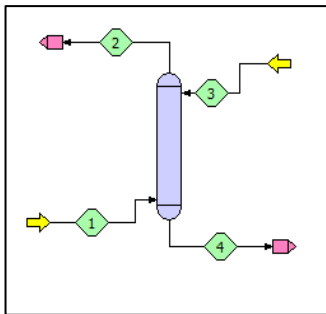
Operational Cost Reduction Program

Nexo Solutions is a solutions provider for processing units worldwide. The engineering team has developed cost reduction programs to minimize unit operational expenses and improve performance. The program is based on years of experience in process unit troubleshooting.

Process Unit Cost Reduction Program include:

- Initial unit operational evaluation
- Minimize overall energy use
- Increases solvent protection (slow down thermal degradation)
- Optimize contactor & regenerator operation
- Minimize solvent carryover & losses
- Evaluate corrosion and fouling hot zones
- Test feed gas for inlet contaminants
- Reduce cost of filtration & activated carbon
- Consolidate inventory of parts such as filters & supplies
- Reduce cost & optimize antifoam type

Many facilities have been troubled with high costs and upsets that seem only to determine that the situation could have been prevented or contained if detected earlier.



For additional information, contact us today via telephone, email or visit our website.