

Insulators

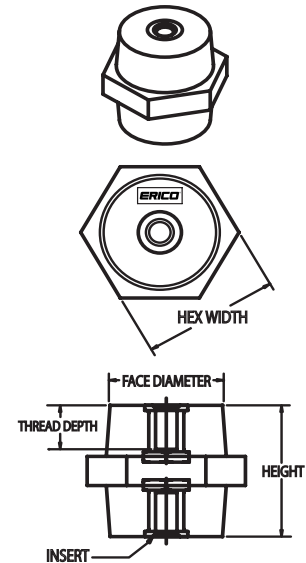


- Wide range of sizes from 1 inch to 3.5 inches
- Cost effective
- UL® and CSA® recognized for strength and material
- Working range of -40°F to 266°F
- High resistance to leakage current

ERICO® offers a full range of ERIFLEX® low-voltage stand-off insulators from 1 inch to 3.5 inches with a total of 29 sizes available. The cost-effective insulators offer great stability of electrical and mechanical parameters and very high resistance to leakage current.

The insulators are manufactured from a halogen-free fiberglass-reinforced thermalset unsaturated polyester molded compound (BMC). Their electro-plated zinc inserts are threaded to ASME® standards. The insulators work in temperatures from -40°F to 266°F.

The stand-off insulators meet the requirements of UL® 94 VO for self-extinguishing materials and are UL Recognized to Standard 891, Supplement B, Dead-front Switchboards and Accessories, 600 volt, File No. E125470. The insulators are also UL recognized for Canada for material and strength. ERIFLEX insulators are the first on the market to be CSA® recognized for strength.



DESCRIPTION	Part No.	Part Height	Hex Width	Thread Dia	Thread Depth	Face Dia	Voltage AC	Max Working Load		Qty/box	Weight ea. (lbs)
								Tensile	Cantilever		
ISO 1", 1/4-20*	559600	1	1-1/8	1/4	5/16	0.82	600	1500	350	50	0.057
ISO 1", 5/16-18*	559610	1	1-1/8	5/16	5/16	0.82	600	1500	350	50	0.059
ISO 1-1/4", 1/4-20	559620	1-1/4	1-5/8	1/4	5/16	1.41	750	2300	675	25	0.118
ISO 1-1/4", 3/8-16	559640	1-1/4	1-5/8	3/8	3/8	1.41	750	2300	675	25	0.141
ISO 1-3/8", 3/8-16	559650	1-3/8	1-3/4	3/8	3/8	1.43	750	2300	1200	25	0.208
ISO 1-1/2", 3/8-16	559660	1-1/2	2	3/8	3/8	1.68	1500	2300	1200	25	0.347
ISO 1-1/2", 1/4-20	559662	1-1/2	2	1/4	1/2	1.68	1500	2300	1200	25	0.273
ISO 1-1/2", 5/16-18	559663	1-1/2	2	5/16	1/2	1.68	1500	2300	1200	25	0.276
ISO 1-3/4", 3/8-16	559670	1-3/4	2	3/8	9/16	1.66	2000	3000	1200	25	0.382
ISO 1-3/4", 5/16-18	559671	1-3/4	2	5/16	1/2	1.66	2000	3000	1200	25	0.311
ISO 2", 1/2-13	559681	2	2	1/2	5/8	1.65	2300	3000	1200	25	0.426
ISO 2", 3/8-16	559680	2	2	3/8	9/16	1.65	2300	3000	1200	25	0.419
ISO 2", 5/16-18	559682	2	2	5/16	1/2	1.65	2300	3000	1200	25	0.354
ISO 2-1/8", 3/8-16	559683	2-1/8	2-1/2	3/8	5/8	2.14	2500	3000	1300	25	0.629
ISO 2-1/8", 1/2-13	559684	2-1/8	2-1/2	1/2	5/8	2.14	2500	3000	1300	25	0.655
ISO 2-1/8", 5/8-11	559685	2-1/8	2-1/2	5/8	5/8	2.14	2500	3000	1300	25	0.745
ISO 2-1/4", 1/2-13	559686	2-1/4	2-1/2	1/2	5/8	2.13	2700	4000	1400	25	0.687
ISO 2-1/4", 3/8-16	559687	2-1/4	2-1/2	3/8	5/8	2.13	2700	4000	1400	25	0.657
ISO 2-1/2", 1/2-13	559688	2-1/2	2-1/2	1/2	5/8	2.11	3200	4000	1400	10	0.743
ISO 2-1/2", 3/8-16	559689	2-1/2	2-1/2	3/8	5/8	2.11	3200	4000	1400	10	0.714
ISO 2-5/8", 5/8-11	559690	2-5/8	2-1/2	5/8	3/4	2.11	3400	4000	1400	10	0.858
ISO 2-3/4", 1/2-13	559691	2-3/4	2-1/2	1/2	5/8	2.10	3600	4000	1400	10	0.799
ISO 2-3/4", 3/8-16	559692	2-3/4	2-1/2	3/8	5/8	2.10	3600	4000	1400	10	0.770
ISO 3", 1/2-13	559693	3	2-1/2	1/2	5/8	2.08	4100	4000	1400	10	0.853
ISO 3", 3/8-16	559694	3	2-1/2	3/8	5/8	2.08	4100	4000	1400	10	0.824
ISO 3-1/4", 1/2-13	559695	3-1/4	2-1/2	1/2	5/8	2.06	4500	4000	1400	10	0.907
ISO 3-1/4", 3/8-16	559696	3-1/4	2-1/2	3/8	5/8	2.06	4500	4000	1400	10	0.878
ISO 3-1/2", 5/8-11	559697	3-1/2	2-1/2	5/8	3/4	2.05	5000	5000	1400	10	1.047
ISO 3-1/2", 3/8-16	559698	3-1/2	2-1/2	3/8	3/4	2.05	5000	5000	1400	10	0.950

* Not recognized for strength